

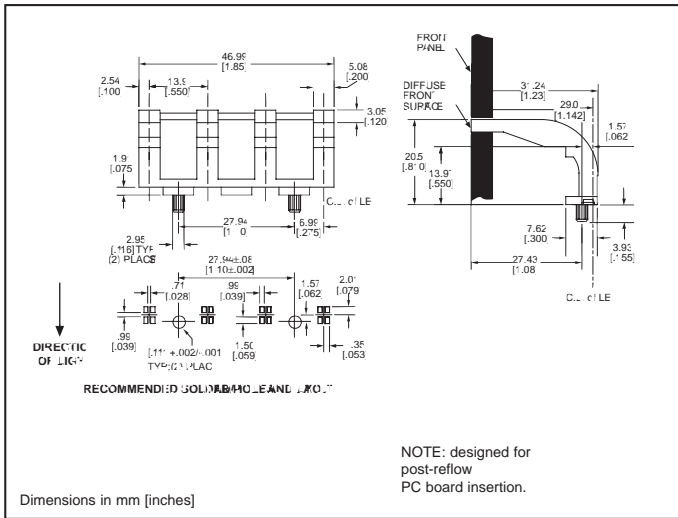
# 3 x 5mm Rectangular

*micro***LED**® *Optopipe*®

Optical Light Pipe, 4 Array (RJ45 Jack)

Dialight

515-1022



## Recommended MicroLED SMT LEDs for use with 515-1022

PART NO.	COLOR	PAGE #
597-3001-1xx	Red	1-19
597-3111-1xx	AlGaAs Red	1-19
597-3111-5xx	AlGaAs Red	1-30
597-3211-1xx	Orange	1-19
597-3211-5xx	Orange	1-30
597-3301-1xx	Green	1-19
597-3301-5xx	Green	1-30
597-3401-1xx	Yellow	1-19
597-3401-5xx	Yellow	1-30
597-7701-1xx	Red/Green	1-20
597-7701-5xx	Red/Green	1-31
597-7721-1xx	Yellow/Green	1-20
597-7721-5xx	Yellow/Green	1-31
597-7731-1xx	Red/Yellow	1-20

### Features

- Complements Dialight's 515-1070 Two-Array Optopipe®
- Allows indicators to be positioned above corresponding RJ45 jack or other components
- High transmissivity polycarbonate material
- UL94V-0 compliance
- ESD protection (circuit isolation from front panel)
- Wide viewing angle
- Arrays reduce insertion costs
- Secures to PCB by press-fit

### LED Data

For absolute maximum ratings and other electrical and optical data on the recommended LEDs, refer to LED data sheets.

### Operating/Storage Temperature

-30°C to +100°C

### Dialight Optopipe® Light Pipe Description

This light pipe's four 3 x 5mm rectangular light emitting surfaces appear bright and are optically well isolated. The light pipe is reliably held in place by 2 press-fit pins located between the 2 light pipe elements. This Optopipe® functions as a through-the-case indicator by conducting the light over the top of connectors or switches. A textured finish on the 4 light emitting surfaces maximizes the viewing angle. The recommended light sources are Dialight's 597 Series 1210 Type SMT LEDs. The LEDs are mounted in a straight line on a 0.550" pitch. The light pipe material is water clear transmissive polycarbonate rated UL94-V0, and has a 35% oxygen index.

Dialight can provide custom Optopipe® solutions for your applications.

## X-ON Electronics

Largest Supplier of Electrical and Electronic Components

*Click to view similar products for [LED Light Pipes](#) category:*

*Click to view products by [Dialight](#) manufacturer:*

Other Similar products are found below :

[1367627-1](#) [SLP3-300-450-F](#) [SLP3-400-450-R](#) [LPA-C011301S-23](#) [LPA-C011301S-6](#) [LPF-C011306S](#) [FLP25-1.95](#) [VLP-640-F](#) [LPA-C011301S-5.4](#) [LPA-C041301S-2](#) [LPA-R051171S-12](#) [LPA-S011331S](#) [515-1027-803F](#) [515-1217F](#) [SLP3-150-300-R](#) [SLP3-500-450-R](#) [515-1064-810F](#) [FLPV-SG](#) [BDL-1187](#) [7511A41](#) [7511A87-500](#) [FLPV-SBC](#) [5151064802F](#) [5151-192-0055-0DF](#) [LPF-R011340S](#) [515-1166-801F](#) [FLPF-6.0](#) [SLP3-350-200-F](#) [PM4-C1522-3.70](#) [LC-11.25](#) [CLP-1214](#) [515-1064-808F](#) [FLX3\\_05](#) [515-1192-0025-0DF](#) [515-1192-80-3DF](#) [PBLP-1001-1](#) [LC2-4.1](#) [LPC062CTP](#) [LSS024CTP](#) [LPC088CTP](#) [SLP3-150-300-F](#) [2202312](#) [515-1302-0500F](#) [RLP1-200-800](#) [RLP1-400-500](#) [LPA-C011301S-15](#) [2202311](#) [SLP3-150-450-R](#) [7511A53](#) [1270.1003](#)