

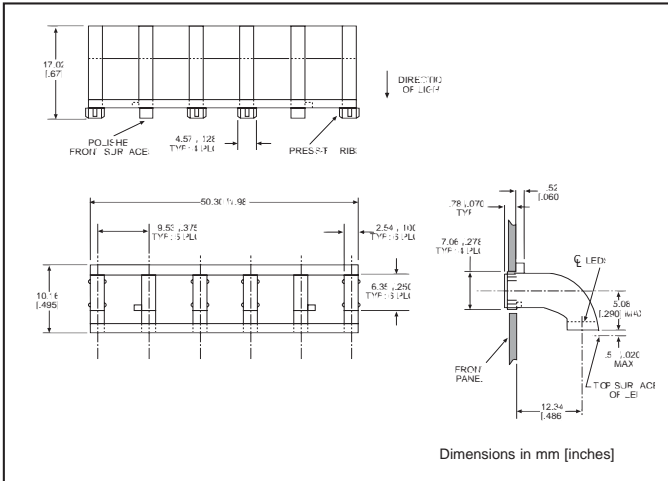
# 2.5 x 6.35mm Rectangular

**microLED® Optopipe®**

**Optical Light Pipe, 6 Array, Panel Mounted**

**Dialight**

**515-1046**



## Recommended MicroLED SMT LEDs for use with 515-1046

PART NO.	PAGE #
597-3xx1-2xx	1-21
597-3xx1-5xx	1-30
597-77x1-2xx	1-23 & 1-24
597-77x1-5xx	1-31

### Features

- High transmissivity polycarbonate material
- UL94V-0 compliance
- ESD protection (circuit isolation from front panel)
- Wide viewing angle
- Arrays reduce insertion costs
- Secures to panel by press fit

### LED Data

For absolute maximum ratings and other electrical and optical data on the recommended LEDs, refer to LED data sheets.

### Operating/Storage Temperature

-30°C to +100°C

### Dialight Optopipe® Light Pipe Description

This Optopipe® is mounted through the rear of the panel and is retained by press fit. The light pipe is not attached to the PCB at any point but floats above it. The light emitting surface is polished. The recommended light sources are Dialight's 597 Series PLCC-2 or PLCC-4 Type SMT LEDs. The SMT LEDs are mounted in a straight line under the rear of the part on a 0.375" pitch. The light source's emitting surface should be located no more than 0.020" or 0.5mm from the Optopipe®. The light pipe material is water clear transmissive polycarbonate rated UL94-V0, and has a 35% oxygen index. Dialight can provide custom Optopipe® solutions for your applications.

## X-ON Electronics

Largest Supplier of Electrical and Electronic Components

*Click to view similar products for [LED Light Pipes](#) category:*

*Click to view products by [Dialight](#) manufacturer:*

Other Similar products are found below :

[1367627-1](#) [SLP3-300-450-F](#) [SLP3-400-450-R](#) [LPA-C011301S-23](#) [LPA-C011301S-6](#) [LPF-C011306S](#) [FLP25-1.95](#) [VLP-640-F](#) [LPA-C011301S-5.4](#) [LPA-C041301S-2](#) [LPA-R051171S-12](#) [LPA-S011331S](#) [515-1027-803F](#) [515-1217F](#) [SLP3-150-300-R](#) [SLP3-500-450-R](#) [515-1064-810F](#) [FLPV-SG](#) [BDL-1187](#) [7511A41](#) [7511A87-500](#) [FLPV-SBC](#) [5151064802F](#) [5151-192-0055-0DF](#) [LPF-R011340S](#) [515-1166-801F](#) [FLPF-6.0](#) [SLP3-350-200-F](#) [PM4-C1522-3.70](#) [LC-11.25](#) [CLP-1214](#) [515-1064-808F](#) [FLX3\\_05](#) [515-1192-0025-0DF](#) [515-1192-80-3DF](#) [PBLP-1001-1](#) [LC2-4.1](#) [LPC062CTP](#) [LSS024CTP](#) [LPC088CTP](#) [SLP3-150-300-F](#) [2202312](#) [515-1302-0500F](#) [RLP1-200-800](#) [RLP1-400-500](#) [LPA-C011301S-15](#) [2202311](#) [SLP3-150-450-R](#) [7511A53](#) [1270.1003](#)