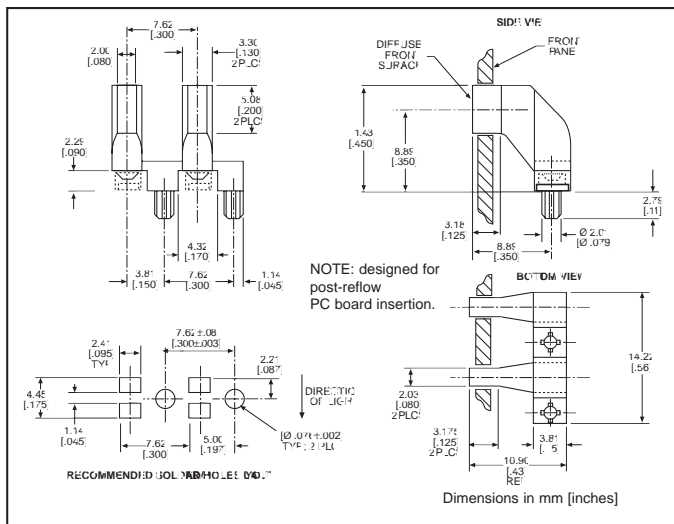


2 x 5mm Rectangular microLED[®] Optopipe[®] Optical Light Pipe, 2 Array

Dialight

515-1051



MicroLED SMT LEDs for use with 515-1051

PART NO.	PAGE #
Recommended	
597-3xx1-2xx	1-21
597-77x1-2xx	1-23 & 1-24
Alternatives	
597-3xx1-5xx	1-30
597-77x1-5xx	1-31

LED alternatives may not produce optimum light output

Solder Pad/Holes layout shown is for single color LEDs listed under "Recommended" category

Contact factory for other layouts

Features

- Compatible with Dialight's 515-1054
- High transmissivity polycarbonate material
- UL94V-0 compliance
- ESD protection (circuit isolation from front panel)
- Wide viewing angle
- Arrays reduce insertion costs
- Secures to PCB by press-fit

LED Data

For absolute maximum ratings and other electrical and optical data on the recommended LEDs, refer to LED data sheets.

Operating/Storage Temperature

-30°C to +100°C

Dialight Optopipe[®] Light Pipe Description

This Optopipe[®] functions as a through-the-case indicator with the appearance of dual 2 x 5mm rectangular LEDs. It is held to the PCB by 2 press-fit pins. It can utilize either a single or multi-color SMT LED, and can be used to form longer arrays with the 515-1054 light pipe. The light pipe material is water clear transmissive polycarbonate rated UL94-V0, and has a 35% oxygen index.

Dialight can provide custom Optopipe[®] solutions for your applications.

X-ON Electronics

Largest Supplier of Electrical and Electronic Components

Click to view similar products for [LED Light Pipes](#) category:

Click to view products by [Dialight](#) manufacturer:

Other Similar products are found below :

[1367627-1](#) [SLP3-300-450-F](#) [SLP3-400-450-R](#) [LPA-C011301S-23](#) [LPA-C011301S-6](#) [LPF-C011306S](#) [FLP25-1.95](#) [VLP-640-F](#) [LPA-C011301S-5.4](#) [LPA-C041301S-2](#) [LPA-R051171S-12](#) [LPA-S011331S](#) [515-1027-803F](#) [515-1217F](#) [SLP3-150-300-R](#) [SLP3-500-450-R](#) [515-1064-810F](#) [FLPV-SG](#) [BDL-1187](#) [7511A41](#) [7511A87-500](#) [FLPV-SBC](#) [5151064802F](#) [5151-192-0055-0DF](#) [LPF-R011340S](#) [515-1166-801F](#) [FLPF-6.0](#) [SLP3-350-200-F](#) [PM4-C1522-3.70](#) [LC-11.25](#) [CLP-1214](#) [515-1064-808F](#) [FLX3_05](#) [515-1192-0025-0DF](#) [515-1192-80-3DF](#) [PBLP-1001-1](#) [LC2-4.1](#) [LPC062CTP](#) [LSS024CTP](#) [LPC088CTP](#) [SLP3-150-300-F](#) [2202312](#) [515-1302-0500F](#) [RLP1-200-800](#) [RLP1-400-500](#) [LPA-C011301S-15](#) [2202311](#) [SLP3-150-450-R](#) [7511A53](#) [1270.1003](#)