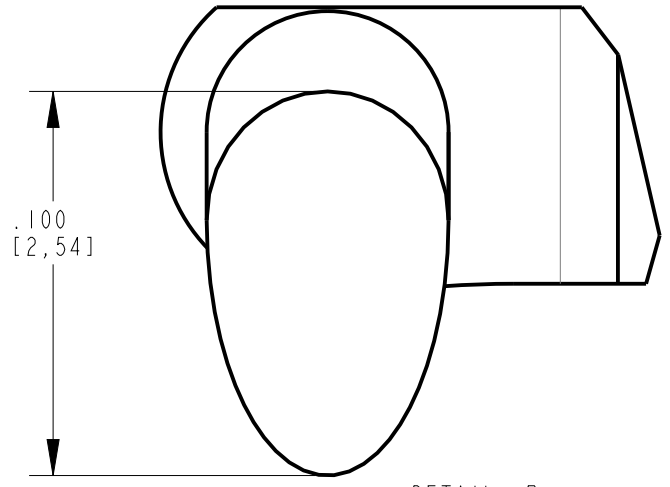
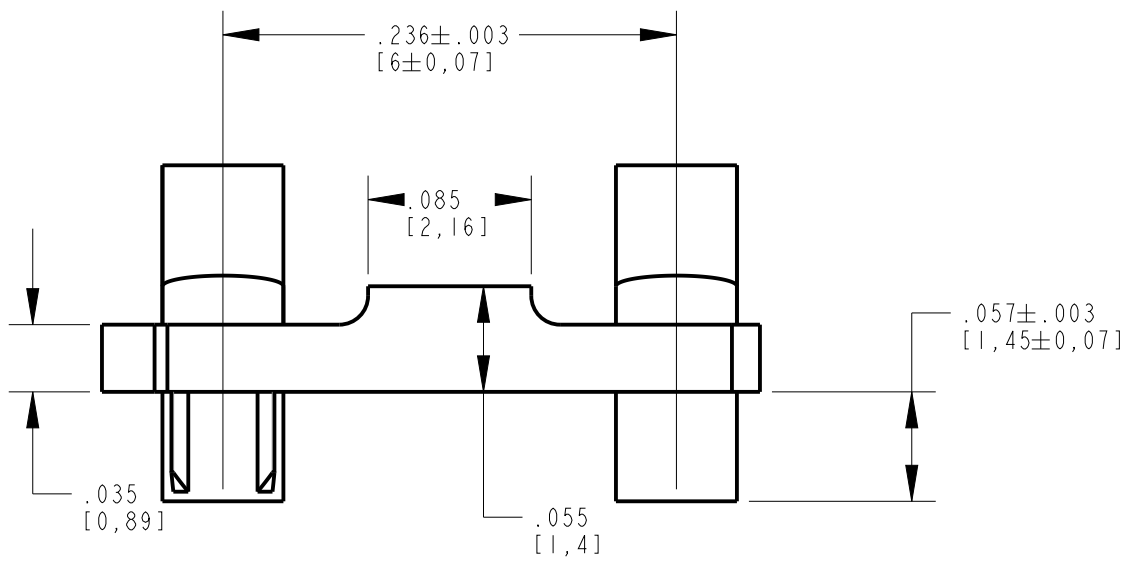
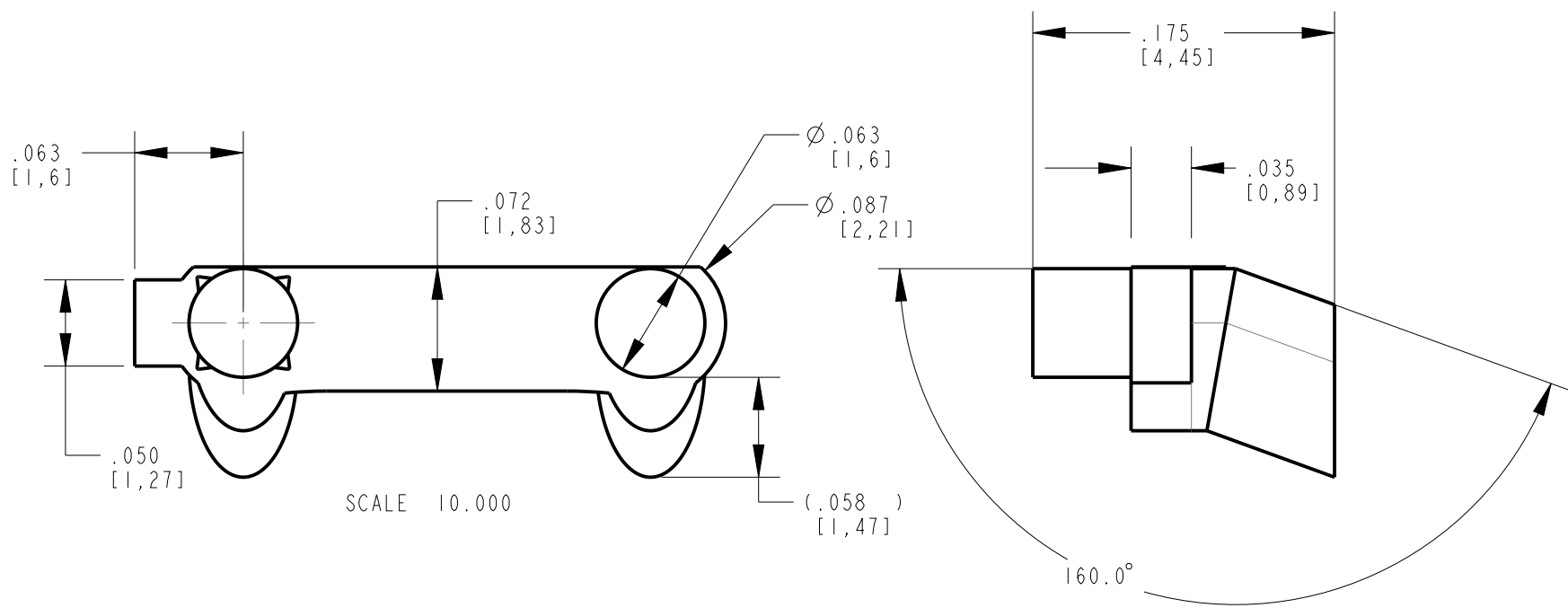
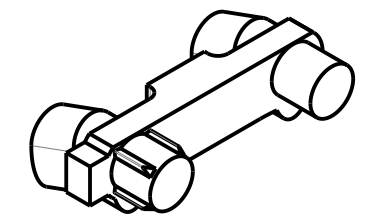


REV	ECN NO	REVISIONS	DRN	CKD	APP	DATE
A		NEW RELEASE	VP	JTD	NO	4-5-16

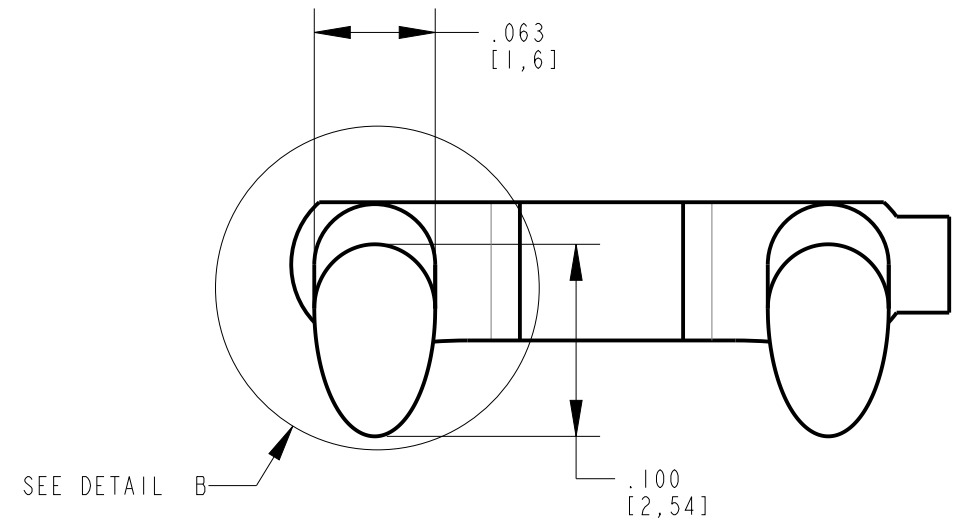


DETAIL B
SCALE 20.000

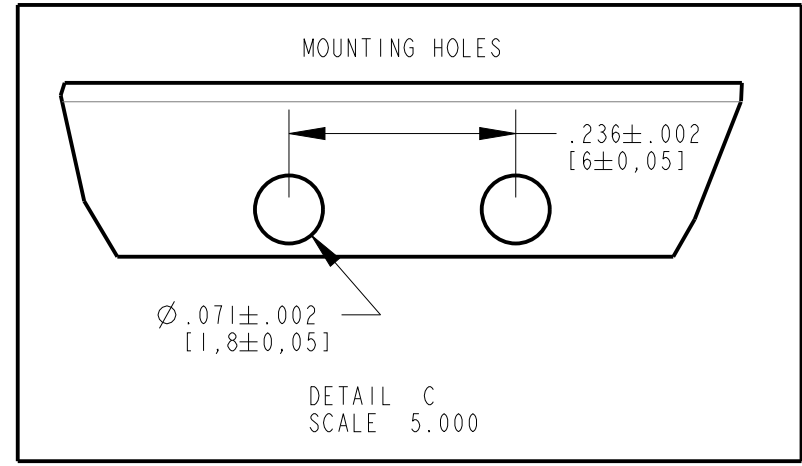


SCALE 10.000

SCALE 10.000



SEE DETAIL B



DETAIL C
SCALE 5.000

NOTES:

1. DIALIGHT PART NUMBER: 515-1155F
2. COMPONENT MOLDED IN A CLEAR TRANSMISSIVE POLYCARBONATE (UL 94V-0 FLAMMABILITY CLASS)
3. COMPONENTS DESIGNED TO BE PRESSED INTO PANEL
4. UNLESS OTHERWISE SPECIFIED, ALL SURFACES TO HAVE A SPI A3 FINISH OR BETTER.

THIS DRAWING AND THE CONTENTS HEREIN ARE CONFIDENTIAL AND THE SOLE PROPERTY OF DIALIGHT. REPRODUCTION OF THIS DRAWING OR CONSTRUCTION OF ANY PARTS WITHIN THIS DRAWING ARE FORBIDDEN WITHOUT THE WRITTEN CONSENT OF DIALIGHT.		
SCALE: 5.000 ALL DIM'S IN: INCHES (MM)	DRAWING NUMBER C-18263	REV A
TOLERANCES: UNLESS OTHERWISE SPECIFIED FRACTIONS: ±1/64 DECIMALS (.XX): ±.01 DECIMALS (.XXX): ±.005 DECIMALS (.XXXX): ±.0005 ANGLES: ±1°	TITLE PANEL MOUNT 2 ELEMENT	
FINISH:	MATERIAL SEE NOTES	
FSCM 83330	1501 ROUTE 34 SOUTH FARMINGDALE, NJ 07727	
SHEET 1 OF 1 FAMILY TABLE:		

X-ON Electronics

Largest Supplier of Electrical and Electronic Components

Click to view similar products for [LED Light Pipes](#) category:

Click to view products by [Dialight](#) manufacturer:

Other Similar products are found below :

[LPA-C011301S-6](#) [LPA-C011301S-5.4](#) [LPA-R051171S-12](#) [LPA-S011331S](#) [515-1027-803F](#) [515-1217F](#) [515-1064-810F](#) [7511A41](#) [7511A87-500](#) [5151064802F](#) [LPF-R011340S](#) [515-1166-801F](#) [LC-11.25](#) [CLP-1214](#) [515-1064-808F](#) [FLX3_05](#) [515-1192-0025-0DF](#) [HS](#) [LC-H-D2/R2XC1-2](#) [54](#) [515-1192-80-3DF](#) [1279.1008](#) [1296.7022](#) [BFL-1115](#) [SZ1-10.00-A220-F4P54](#) [SZ1-10.00-A220-F4P](#) [LC2-4.1](#) [SF4-2.5-F5P](#) [PLP5-2-625-54](#) [FLP25-13.5](#) [1293.1409](#) [1271.2002](#) [1272.0030](#) [1276.2004](#) [1281.1001-8MM](#) [1282.1300](#) [1296.1034](#) [1296.2022](#) [1296.2054](#) [1296.3004](#) [LCS112CTP](#) [LCS132CTP](#) [LCV136CTP](#) [LMS053CTP](#) [LPC062CTP](#) [LPC076CTP](#) [LPC078CTP](#) [LPC096CTP](#) [LPC105CTP](#) [LPC110CTP](#) [LPC122CTP](#) [LPC130CTP](#)