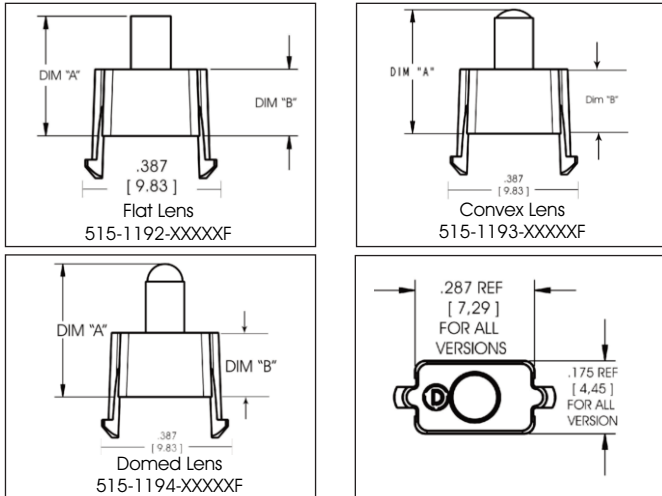


Dialight



Optopipe® Vertical Lightpipes 3mm Diameter

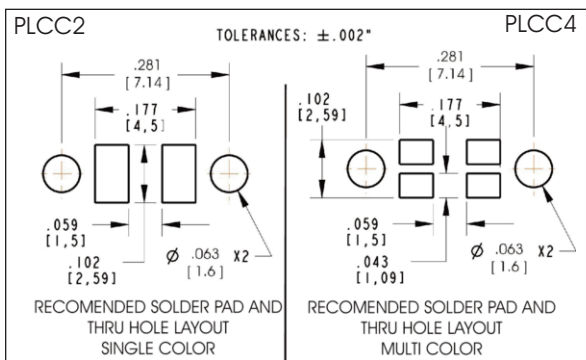
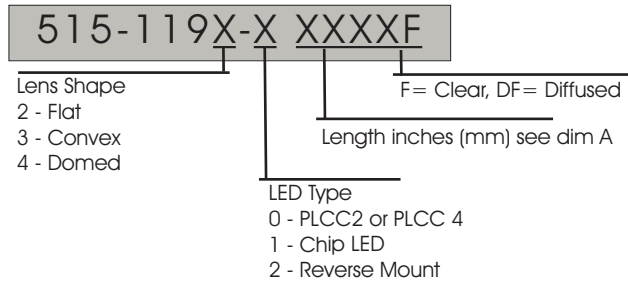
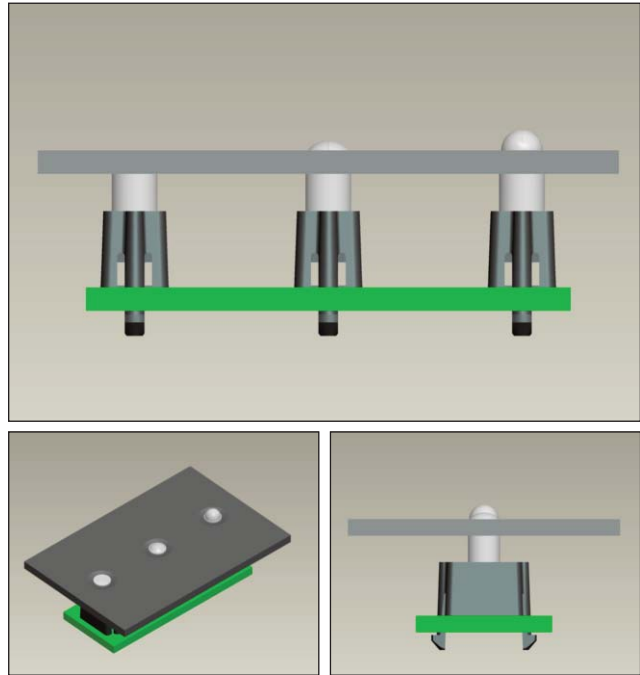


Features & Benefits:

- Lengths varying from .250" to 1.250"
- Three lens styles for optimal viewing angles; Flat, Domed, and Convex
- Designed for both single and multi-color LEDs
- Positive snap in mounting to PCB with opaque light barrier
- Low-voltage and minimal power consumption
- Light is produced through photonic emission, not as a by-product of a radiating heat source
- Molded from RoHS compliant UL94-V0 Water Clear Polycarbonate with an oxygen index of 35%.
- Designed to be used with Dialight surface mount led's plcc-2 and plcc-4 pad layout shown, 597-XXXX-207f. See the surface mount selector guide for led operating characteristics. Lower profile surface mount led's in 598 and 597 series can be used as well as, reverse mount led's. Please consult factory for availability.
- Available in clear lens (F) and diffused textured lens (DF)

Application

Dialight Optopipe® vertical light pipes provide an excellent solution for products that contain a PCB that is parallel to the panel in need of indication. These UL94-V0 Water Clear Polycarbonate light pipes are secured to the PCB using a custom snap-fit base that is easy to install. Vertical light pipes are ideal for building automation and other industrial applications where light needs to be transferred from a parallel PC board, or the environment is subject to shock and vibration. A good way to utilize low voltage and low current LEDs, Dialight's optopipes provide a great way to efficiently transfer light.



Order Codes

Part Number	DIM "A" inches (mm)	DIM "B" inches (mm)	Lens Shape
515-1192-00250F	.250 (6.35)	.197 (5)	Flat
515-1192-00550F	.550 (13.97)	.375 (9.53)	Flat
515-1192-01000F	1.000 (25.4)	.375 (9.53)	Flat
515-1194-00300F	.300 (7.62)	.197 (5)	Domed
515-1194-00350F	.350 (8.89)	.197 (5)	Domed
515-1194-00450F	.450 (11.43)	.197 (5)	Domed
515-1194-01000F	1.000 (25.4)	.375 (9.53)	Domed

Custom length available, consult factory

Dialight reserves the right to make changes at any time in order to supply the best product possible. The most current version of this document will always be available at: http://www.dialight.com/Assets/Brochures_And_Catalogs/Indication/MDEOPVLPX001.pdf

Warranty Statement: EXCEPT FOR THE WARRANTY EXPRESSLY PROVIDED FOR [HEREIN/ABOVE/BELOW], DIALIGHT DISCLAIMS ANY AND ALL OTHER WARRANTIES, EXPRESS OR IMPLIED, INCLUDING, WITHOUT LIMITATION, ANY WARRANTIES OF MERCHANTABILITY, FITNESS FOR A PARTICULAR PURPOSE, TITLE, AND NONINFRINGEMENT.

X-ON Electronics

Largest Supplier of Electrical and Electronic Components

Click to view similar products for [dialight](#) manufacturer:

Other Similar products are found below :

[5131701604](#) [568-0103-232F](#) [568-0734-832F](#) [5690101111](#) [5700100111](#) [585-4215](#) [585-4413](#) [586-0012-806F](#) [586-220B-204F](#) [5922121013F](#)
[598-8030-102F](#) [598-8260-102F](#) [598-8310-102F](#) [598-8320-107F](#) [598-8540-202F](#) [5989210102F](#) [004-1830-29-207](#) [607-1312-320F](#) [607-3332-320F](#) [609-1212-130](#) [609-1312-320F](#) [609-2112-130](#) [62031RB](#) [CT2-C](#) [749-0705-001](#) [811-0332-500](#) [812-0971](#) [908-1532](#) [908-1534](#) [123-1235-403](#) [124-0111-403](#) [DLL434CT](#) [181-11A](#) [199-5261](#) [250-1475-500](#) [922-1525-525](#) [LC32WT2](#) [LLT-3B](#) [LML-6LVC-WWD](#) [169-1131-303](#)
[178-0375-500](#) [180-01AB-811](#) [181-11R](#) [181-8536-0937-503](#) [187-1876](#) [239-0334-500](#) [249-4168-3334-504](#) [250-1633-500](#) [252-9951-0973-811](#)
[302-3471](#)