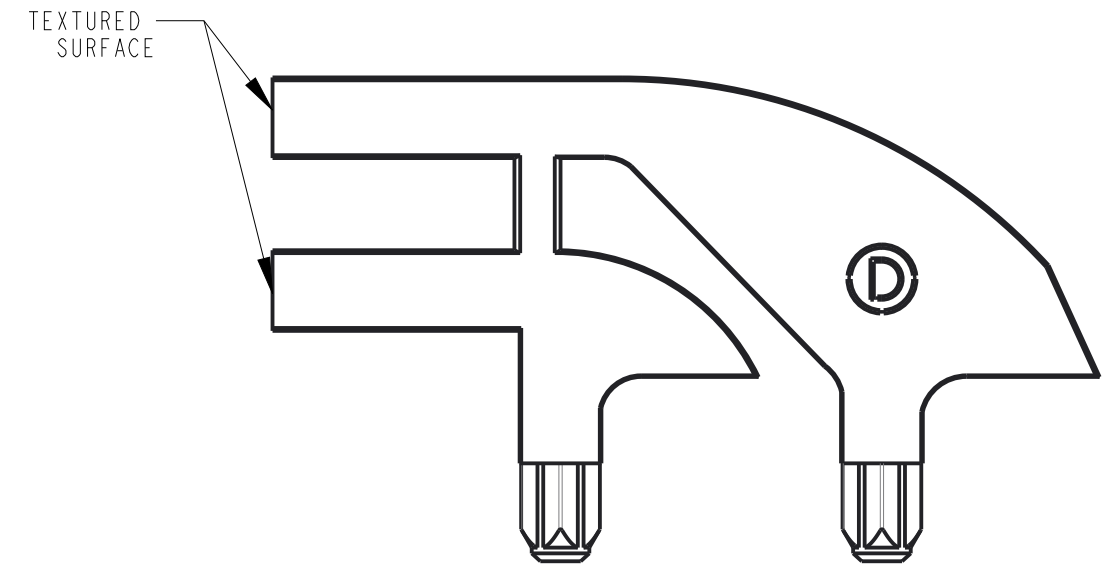
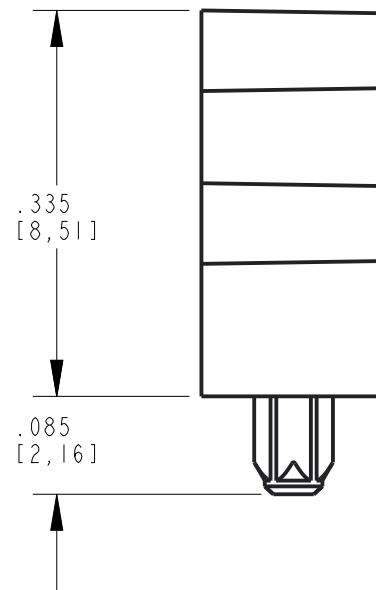
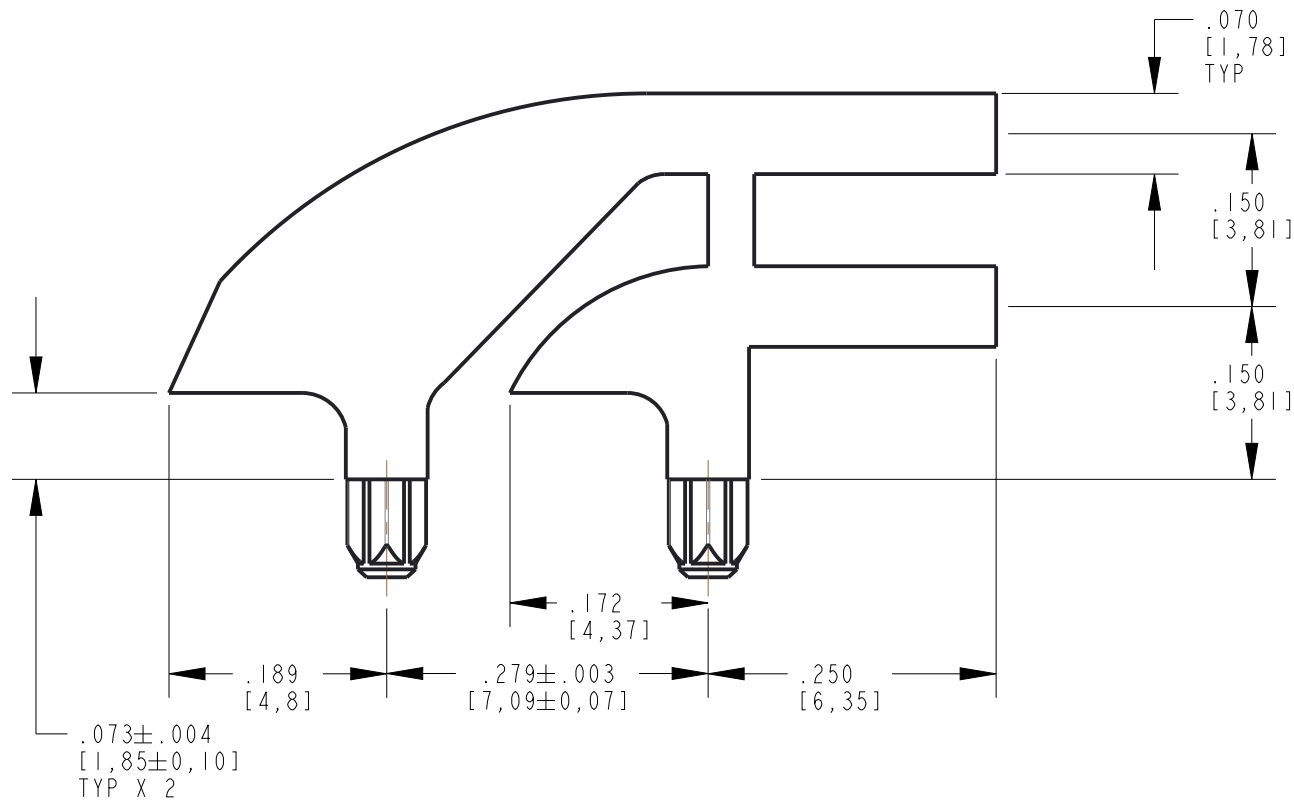
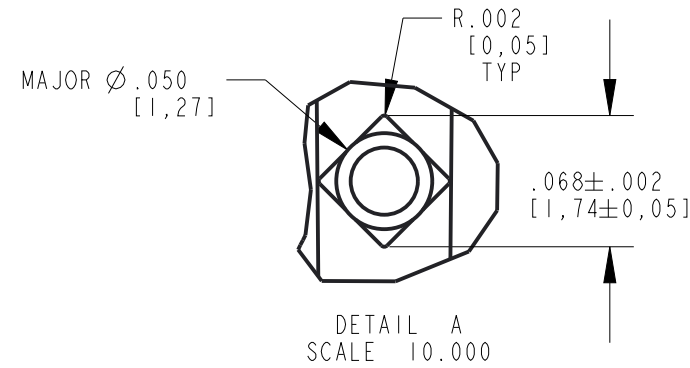
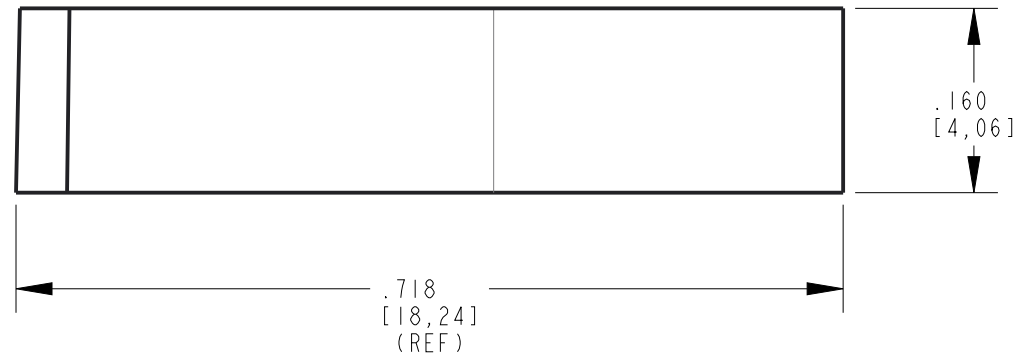


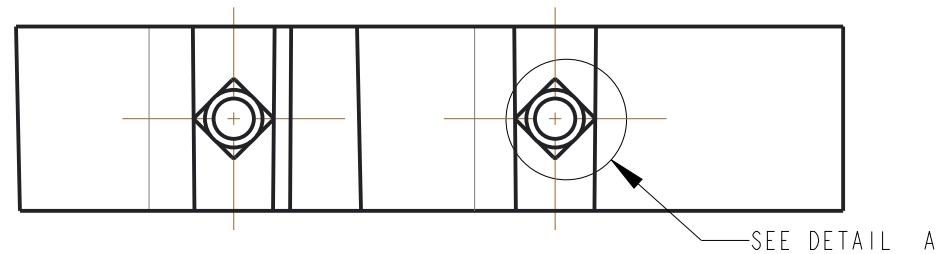
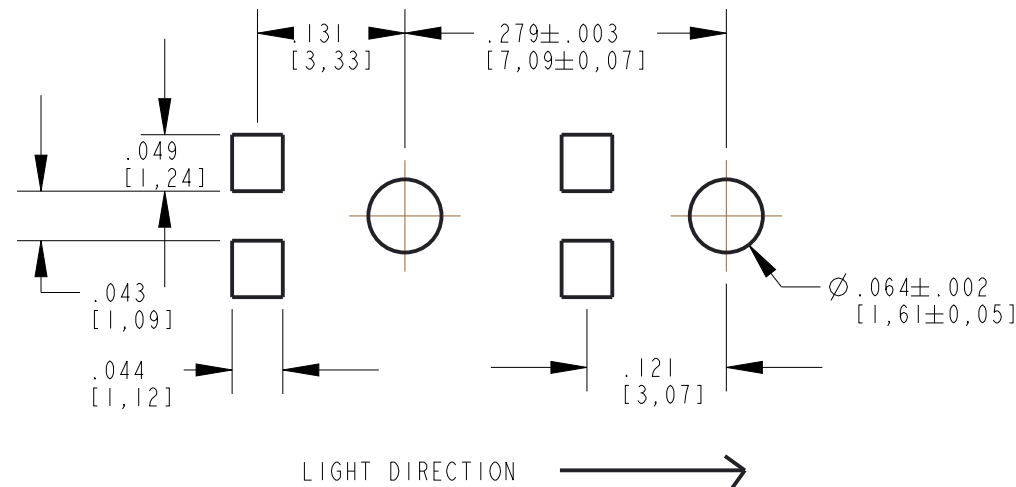
REV	ECN NO	REVISIONS	DRN	CKD	APP	DATE
A		NEW RELEASE	WFB	--	JTD	10-14-14
B	106118	REVISED NOTES AND ADDED PADS IN THE HOLE LAYOUT	LD	CS	NO	6-8-23



NOTES:

1. DIALIGHT PART NUMBER 515-1206F
2. MATERIAL TO BE CLEAR, TRANSMISSABLE POLYCARBONATE (UL 94V-0 FLAMABILITY).
3. COMPONENTS DESIGNED TO BE PRESSED INTO PC BOARD.
4. STORAGE AND OPERATING TEMPERATURE: -30 C TO +100 C.
5. RECOMMENDED SURFACE MOUNT DIALIGHT LEDS: 597-3XXX-507F (1208 PKG SINGLE COLOR)

RECOMMENDED HOLE & PAD LAYOUT



THIS DRAWING AND THE CONTENTS HEREIN ARE CONFIDENTIAL AND THE SOLE PROPERTY OF DIALIGHT CORP. REPRODUCTION OF THIS DRAWING OR CONSTRUCTION OF ANY PARTS WITHIN THIS DRAWING ARE FORBIDDEN WITHOUT THE WRITTEN CONSENT OF DIALIGHT CORP.		
SCALE: 6.000	DRAWING NUMBER	REV
ALL DIM'S: INCH (mm)	C-18015	B
TOLERANCES: UNLESS OTHERWISE SPECIFIED	TITLE	
FRACTIONS: ±1/64	BI-LEVEL LP	
DECIMALS (.XX): ±.010	.070" X .160" RECT	
DECIMALS (.XXX): ±.005	MATERIAL	
ANGLES: ±1°		
FINISH		
FSCM 83330	1501 ROUTE 34 SOUTH FARMINGDALE, NJ 07727 (732) 919-3119 www.dialight.com	
SHEET 1 OF 1		FAMILY TABLE:

X-ON Electronics

Largest Supplier of Electrical and Electronic Components

Click to view similar products for [LED Light Pipes](#) category:

Click to view products by [Dialight](#) manufacturer:

Other Similar products are found below :

[LPA-C011301S-6](#) [LPA-C011301S-5.4](#) [LPA-R051171S-12](#) [LPA-S011331S](#) [515-1027-803F](#) [515-1217F](#) [515-1064-810F](#) [7511A41](#) [7511A87-500](#) [LPF-R011340S](#) [515-1166-801F](#) [LC-11.25](#) [CLP-1214](#) [515-1064-808F](#) [FLX3_05](#) [515-1192-0025-0DF](#) [HS LC-H-D2/ R2XC1-2 54](#) [515-1192-80-3DF](#) [1279.1008](#) [1296.7022](#) [BFL-1115](#) [SZ1-10.00-A220-F4P54](#) [SZ1-10.00-A220-F4P](#) [LC2-4.1](#) [SF4-2.5-F5P](#) [PLP5-2-625-54](#) [FLP25-13.5](#) [1293.1409](#) [1271.2002](#) [1272.0030](#) [1276.2004](#) [1281.1001-8MM](#) [1282.1300](#) [1296.1034](#) [1296.2022](#) [1296.2044](#) [1296.3004](#) [LCS112CTP](#) [LCS132CTP](#) [LCV136CTP](#) [LMS053CTP](#) [LPC062CTP](#) [LPC076CTP](#) [LPC078CTP](#) [LPC096CTP](#) [LPC105CTP](#) [LPC110CTP](#) [LPC122CTP](#) [LPC130CTP](#) [LPC170CTP](#)