

# XY Variable Length/Height, Right Angle 515 Series Optopipe® Light Pipes

## 3 mm Diameter Output



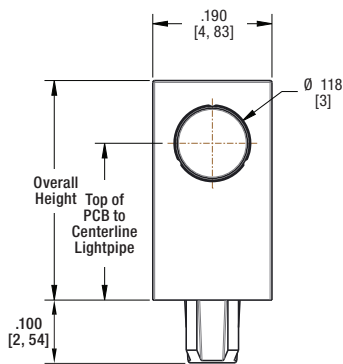
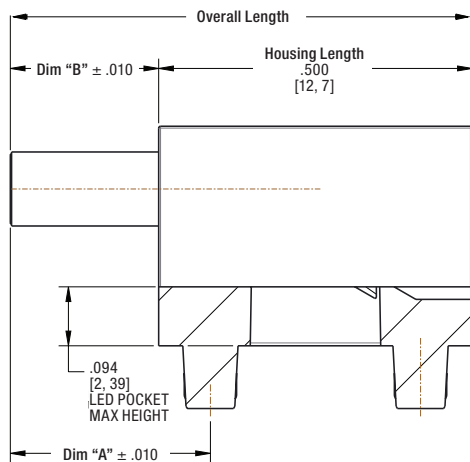
### Features & benefits

- Lengths varying from .319"–1.772"
- Heights varying from .200"–.500"
- Same board footprint across various heights and lengths.
- Easy and secure installation via mounting pins on the housing.
- Cost and time savings due to simplified board redesign.
- No optical crosstalk, no light bleed
- Offers a high level of ESD protection
- Optical efficiency due to enclosed housing

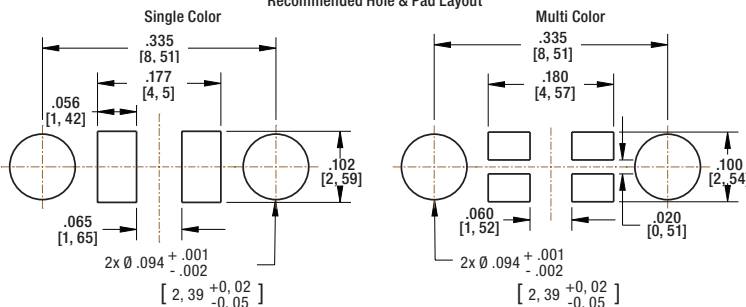
### Dimensions

inches [mm]

#### Flat Lens



#### Recommended Hole & Pad Layout



### Application

Dialight's 515 Optopipe® light pipe series offers the same board footprint across various heights and lengths and provide cost savings by simplifying circuit board designs or redesigns.

The areas of application include, but are not limited to:

- Telecom
- Networking
- Data storage
- Medical
- Test & measurement
- Automation controls
- EV-charging
- Home communication equipment
- AV equipment
- Industrial embedded solutions

### Mechanical Information

**PCB Mounting Hole Size:** 0.094" (2.39mm)

**Min. PCB Thickness:** 0.047" (1.194mm)

**Operating Temp:** -40°C to +100°C

**Storage Temp:** -40°C to +100°C

### Suggested LEDs

**Single Color:** 597-3XXX-207F/NF, 598-8BX0-107F

**Bi-Color:** 597-77XX-207F, 007F

**Tri-Color:** 597-77XX-007F, 907F



## Ordering Information 515 Series

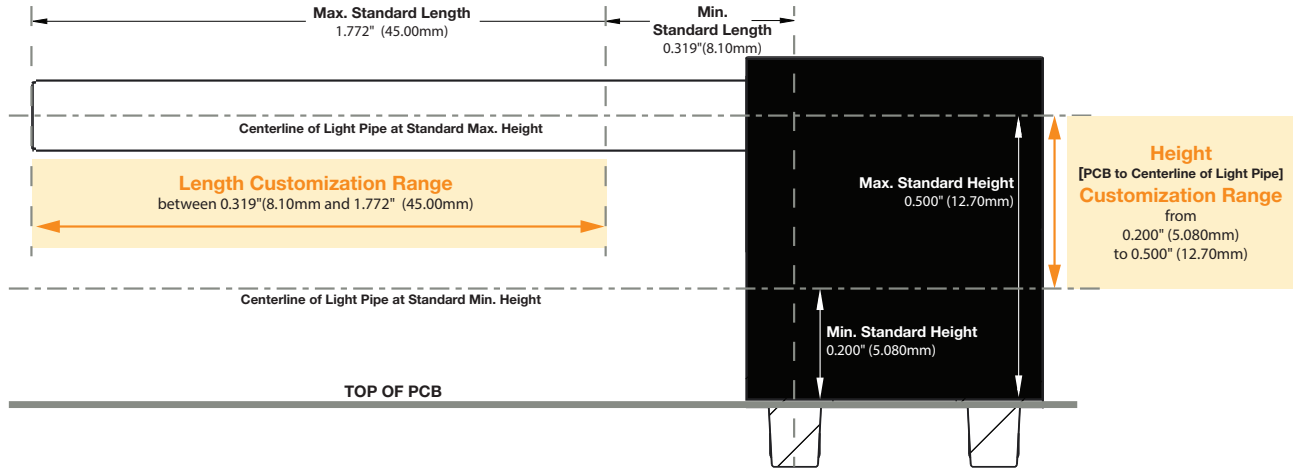
### Flat Lens

Dialight P/N	Dim "A"	Dim "B"	Top of PCB to Centerline Lightpipe	Overall Height	Overall Length
515-1250-0319F	.319" (8.10mm)	.237" (6.01mm)	0.200" (5.080mm)	0.300" (7.62mm)	0.737" (18.72mm)
515-1250-0590F	.590" (15.00mm)	.508" (12.90mm)	0.200" (5.080mm)	0.300" (7.62mm)	1.008" (25.60mm)
515-1250-1181F	1.181" (30.00mm)	1.099" (27.91mm)	0.200" (5.080mm)	0.300" (7.62mm)	1.599" (40.615mm)
515-1250-1772F	1.772" (45.00mm)	1.690" (42.93mm)	0.200" (5.080mm)	0.300" (7.62mm)	2.190" (55.626mm)
515-1251-0319F	.319" (8.10mm)	.237" (6.01mm)	0.250" (6.35mm)	0.350" (8.89mm)	0.737" (18.72mm)
515-1251-0590F	.590" (15.00mm)	.508" (12.90mm)	0.250" (6.35mm)	0.350" (8.89mm)	1.008" (25.60mm)
515-1251-1181F	1.181" (30.00mm)	1.099" (27.91mm)	0.250" (6.35mm)	0.350" (8.89mm)	1.599" (40.615mm)
515-1251-1772F	1.772" (45.00mm)	1.690" (42.93mm)	0.250" (6.35mm)	0.350" (8.89mm)	2.190" (55.626mm)
515-1252-0319F	.319" (8.10mm)	.237" (6.01mm)	0.300" (7.62mm)	0.400" (10.16mm)	0.737" (18.72mm)
515-1252-0590F	.590" (15.00mm)	.508" (12.90mm)	0.300" (7.62mm)	0.400" (10.16mm)	1.008" (25.60mm)
515-1252-1181F	1.181" (30.00mm)	1.099" (27.91mm)	0.300" (7.62mm)	0.400" (10.16mm)	1.599" (40.615mm)
515-1252-1772F	1.772" (45.00mm)	1.690" (42.93mm)	0.300" (7.62mm)	0.400" (10.16mm)	2.190" (55.626mm)
515-1253-0319F	.319" (8.10mm)	.237" (6.01mm)	0.350" (8.89mm)	0.450" (11.43mm)	0.737" (18.72mm)
515-1253-0590F	.590" (15.00mm)	.508" (12.90mm)	0.350" (8.89mm)	0.450" (11.43mm)	1.008" (25.60mm)
515-1253-1181F	1.181" (30.00mm)	1.099" (27.91mm)	0.350" (8.89mm)	0.450" (11.43mm)	1.599" (40.615mm)
515-1253-1772F	1.772" (45.00mm)	1.690" (42.93mm)	0.350" (8.89mm)	0.450" (11.43mm)	2.190" (55.626mm)
515-1254-0319F	.319" (8.10mm)	.237" (6.01mm)	0.400" (10.16mm)	0.500" (12.70mm)	0.737" (18.72mm)
515-1254-0590F	.590" (15.00mm)	.508" (12.90mm)	0.400" (10.16mm)	0.500" (12.70mm)	1.008" (25.60mm)
515-1254-0839F	.839" (21.31mm)	.757" (19.23mm)	0.400" (10.16mm)	0.500" (12.70mm)	1.257" (31.93mm)
515-1254-1181F	1.181" (30.00mm)	1.099" (27.91mm)	0.400" (10.16mm)	0.500" (12.70mm)	1.599" (40.615mm)
515-1254-1772F	1.772" (45.00mm)	1.690" (42.93mm)	0.400" (10.16mm)	0.500" (12.70mm)	2.190" (55.626mm)
515-1255-0319F	.319" (8.10mm)	.237" (6.01mm)	0.500" (12.70mm)	0.600" (15.24mm)	0.737" (18.72mm)
515-1255-0590F	.590" (15.00mm)	.508" (12.90mm)	0.500" (12.70mm)	0.600" (15.24mm)	1.008" (25.60mm)
515-1255-0839F	.839" (21.31mm)	.757" (19.23mm)	0.500" (12.70mm)	0.600" (15.24mm)	1.257" (31.93mm)
515-1255-1181F	1.181" (30.00mm)	1.099" (27.91mm)	0.500" (12.70mm)	0.600" (15.24mm)	1.599" (40.615mm)
515-1255-1772F	1.772" (45.00mm)	1.690" (42.93mm)	0.500" (12.70mm)	0.600" (15.24mm)	2.190" (55.626mm)

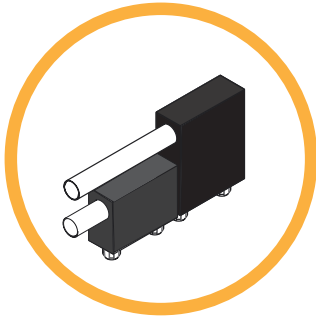
Dialight reserves the right to make changes at any time in order to supply the best product possible. The most current version of this document will always be available at: [www.dialightsignalsandcomponents.com](http://www.dialightsignalsandcomponents.com)

**Warranty Statement:** Except for the warranty expressly provided for at: <https://www.dialight.com/resources/warranties/>, Dialight disclaims any and all other warranties, express or implied, including, without limitation, any warranties of merchantability, fitness for a particular purpose, title, and noninfringement.

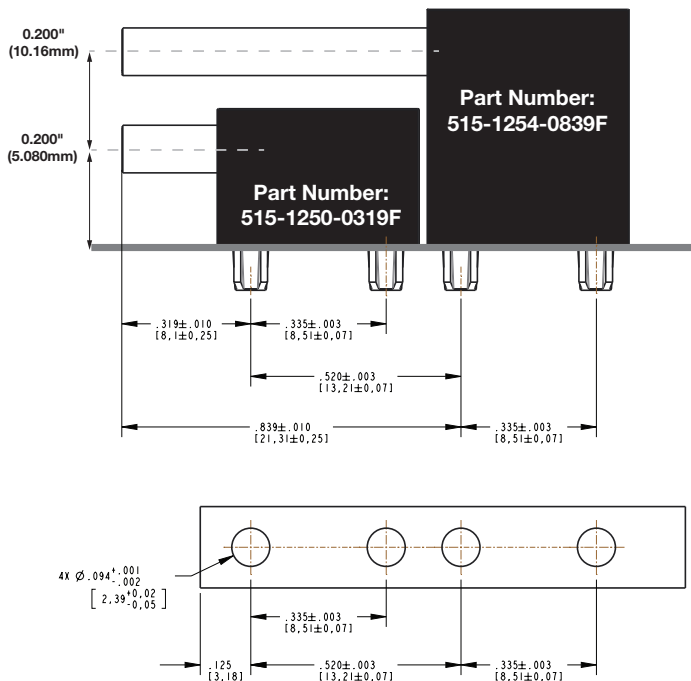
## Customization Options



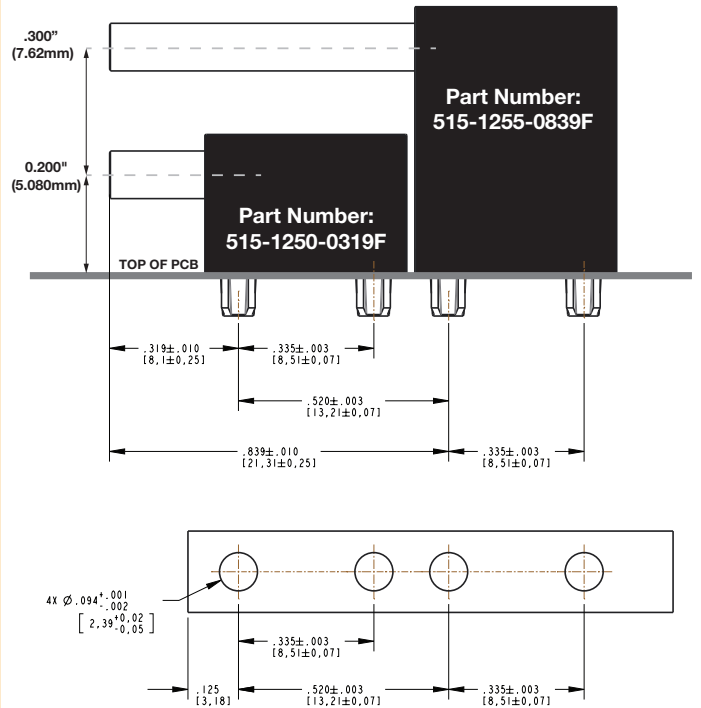
## Bi-Level Indication Option



Bi-Level Indication Option with 515-1254-0839F and 515-1250-0319F



Bi-Level Indication Option with 515-1255-0839F and 515-1250-0319F



Dialight reserves the right to make changes at any time in order to supply the best product possible. The most current version of this document will always be available at: [www.dialightsignalsandcomponents.com](http://www.dialightsignalsandcomponents.com)

Warranty Statement: Except for the warranty expressly provided for at: <https://www.dialight.com/resources/warranties/>, Dialight disclaims any and all other warranties, express or implied, including, without limitation, any warranties of merchantability, fitness for a particular purpose, title, and noninfringement.

## X-ON Electronics

Largest Supplier of Electrical and Electronic Components

*Click to view similar products for [LED Mounting Hardware](#) category:*

*Click to view products by [Dialight](#) manufacturer:*

Other Similar products are found below :

[00624750](#) [990-4901-010](#) [990-8115-001](#) [CMP22](#) [C-101](#) [L2K-L4GD](#) [L2K-L5XL](#) [LDN51-125SL/BT](#) [SN3486](#) [26-0053](#) [TC4-R-](#) [SLQ16](#) [LM6-2](#) [LM12-1](#) [LM10-1](#) [CM00624900](#) [LEDH-101C-34](#) [LEDS2-8-26](#) [LEDS2E-10-01](#) [LEDS2M-240-01](#) [ZCH-200-I](#) [RNG132](#) [FIX-LEDH-10](#) [FIX-LEDH-10.5](#) [FIX-LEDH-11](#) [FIX-LEDH-11.5](#) [FIX-LEDH-12](#) [FIX-LEDH-14](#) [FIX-LEDH-17](#) [FIX-LEDH-18](#) [FIX-LEDH-4](#) [FIX-LEDH-4.5](#) [FIX-LEDH-7.5](#) [FIX-LEDH-9.5](#) [FIX-LEDS-1.5](#) [FIX-LEDS-2](#) [FIX-LEDS-3.5](#) [FIX-LEDT-11](#) [FIX-LEDT-20](#) [FIX-LEDT-26](#) [FIX-LEDT-5](#) [FIX-LEDT-9](#) [SQLEDS2-4-26](#) [7382](#) [CMC285BLK](#) [CNXDX4624](#) [CNXDX4608](#) [CNXDF4608](#) [CNXCE4118](#) [CNX440-X02-4-1-08](#)