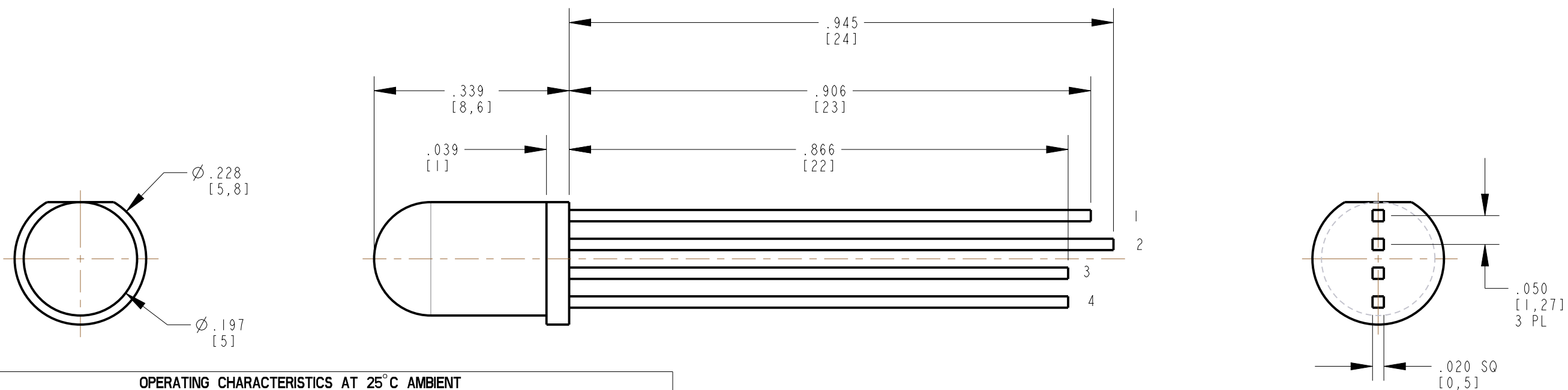


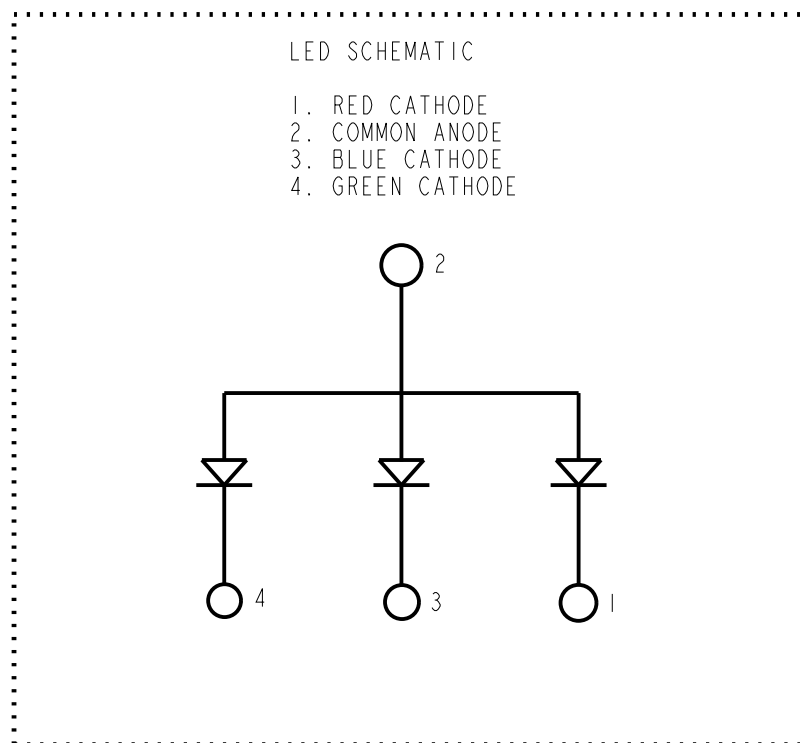
DIALIGHT PART NUMBER	COLOR
521-8559F	RED
	GREEN
	BLUE

REV	REVISIONS	DRN	APP	DATE
A	NEW RELEASE	LD	NO	12-26-19
B	ADDED ESDS VALUE & PACKAGING BAG INFO	LD	NO	4-10-20



OPERATING CHARACTERISTICS AT 25°C AMBIENT

PARAMETER	SYMBOL	COLOR	MIN.	TYP.	MAX.	UNITS	TEST CONDITIONS
LUMINOUS INTENSITY	IV	RED	1900	2500	3200	mcd	I _F = 20mA
		BLUE	1000	1450	1900		
		GREEN	1500	1900	2500		
VIEWING ANGLE	2 1/2	RED	50	50	50	deg	
		BLUE					
		GREEN					
PEAK EMISSION WAVELENGTH		RED		634		nm	V _R = 5V
		BLUE		470			
		GREEN		525			
DOMINANT WAVELENGTH		RED	618	625	630	nm	
		BLUE	465	470	475		
		GREEN	520	525	530		
FORWARD VOLTAGE	V _F	RED	1.7	2.2	2.7	V	I _F = 20mA
		BLUE	2.5	3.2	3.7		
		GREEN	2.5	3.2	3.7		
REVERSE CURRENT	I _R	RED			10	uA	V _R = 5V
		BLUE			10		
		GREEN			10		
ELECTROSTATIC DISCHARGE(HBM)		RED		2000		V	C=100 pF R=1500 ohm
		GREEN		1000			
		BLUE		1000			



ATTENTION:
OBSERVE PRECAUTIONS FOR
HANDLING ELECTROSTATIC
SENSITIVE DEVICES

ABSOLUTE MAXIMUM RATINGS AT 25°C AMBIENT

PARAMETERS	RED	BLUE	GREEN	UNITS
POWER DISSIPATION	80	108	108	mW
LINEAR DERATION FROM 50°C	0.57	0.57	0.57	mA/°C
FORWARD DC CURRENT	30	30	30	mA
PEAK FORWARD CURRENT (1/10 Duty Cycle, 0.1ms Pulse Width)	90	100	100	mA
OPERATING TEMPERATURE	-30 to +85			°C
STORAGE TEMPERATURE	-40 TO +100			°C
LEAD SOLDERING TEMPERATURE [2.0mm (.787") FROM BODY]	260 FOR 5 SECONDS MAX.			°C

NOTES:

- QUANTITY IS 100 PCS PER BAG.
- PIN NUMBERS ARE FOR REFERENCE ONLY, DESIGNATION NON-EXISTENT ON PART.
- THIS ASSEMBLY CONTAINS ELECTROSTATIC DISCHARGE SENSITIVE DEVICES (ESDS). MAINTAIN ALL PRECAUTIONARY MEASURES DURING ASSEMBLY, HANDLING AND STORAGE IN ACCORDANCE WITH IPC-A-610.
- THIS PRODUCT IS RoHS COMPLIANT. EACH BAG(9100121071499) IS TO BE MARKED WITH RoHS COMPLIANT LABEL OR EQUIVALENT MARKINGS. LED MUST BE Pb FREE.

THIS DRAWING AND THE CONTENTS HEREIN ARE CONFIDENTIAL AND THE SOLE PROPERTY OF DIALIGHT CORP. REPRODUCTION OF THIS DRAWING OR CONSTRUCTION OF ANY PARTS WITHIN THIS DRAWING ARE FORBIDDEN WITHOUT THE WRITTEN CONSENT OF DIALIGHT CORP.		
DIALIGHT CORP INTERNAL REFERENCE ONLY = 3D MODEL : 4500521855916-A.5		
SCALE: 5.000	DRAWING NUMBER	REV
ALL DIM'S: INCH (mm)	C-18455	B
TOLERANCES: UNLESS OTHERWISE SPECIFIED		
FRACTIONS: ±1/64 DECIMALS (.XX): ±.01 DECIMALS (.XXX): ±.010 DECIMALS (.XXXX): ±.0005 ANGLES: ±1°	TITLE 5mm RGB WC WITH 4L COMMON ANODE	
FINISH	MATERIAL	
FSCM 83330	Dialight 1501 ROUTE 34 SOUTH FARMINGDALE, NJ 07727 (732) 919-3119 www.dialight.com	
	SHEET 1 OF 1	FAMILY TABLE:

X-ON Electronics

Largest Supplier of Electrical and Electronic Components

Click to view similar products for [Standard LEDs - Through Hole category](#):

Click to view products by [Dialight manufacturer](#):

Other Similar products are found below :

[LTL-10254W](#) [LTL-1214A](#) [LTL-2231AT](#) [LTL-3251A](#) [LTL-4262N](#) [LTL-433P](#) [LTL-5234](#) [LTL87HTBK](#) [LTL-87HD4B](#) [HLMP-EL30-PS0DD](#) [1L0532V23G0TD001](#) [NSPW500CS](#) [LD CQDP-1U3U-W5-1-K](#) [LP379PPG1C0G0300001](#) [SLR-342MC3F](#) [SLX-LX3044GD](#) [SLX-LX3044ID](#) [SLX-LX3044YD](#) [1.90690.3330000](#) [SSS-LX4673ID-410B](#) [1L0532Y24I0TD001](#) [264-7SYGD/S530-E2](#) [HLMP-1301-G00FG](#) [HLMP1385](#) [LTL-10224W](#) [LTL-1224A](#) [LTL-1234A](#) [LTL-2251AT](#) [LTL-403HR](#) [LTL-4222](#) [LU7-E-B](#) [4380H1](#) [HLMP-3962-F0002](#) [HLMP-GG15-R0000](#) [L53SRC/E-Z](#) [L-7679C1ZGC](#) [4302T1-5V](#) [4306D23](#) [4363D1/5](#) [WP1503SRC/J4](#) [WP153YDT](#) [WP1543SGC](#) [WP1543SRC/D](#) [WP1543SURC](#) [WP53MGD](#) [WP7113HD](#) [WP7113MBD](#) [WP7113MGC](#) [WP7143SEC/H](#) [Z-221A](#)