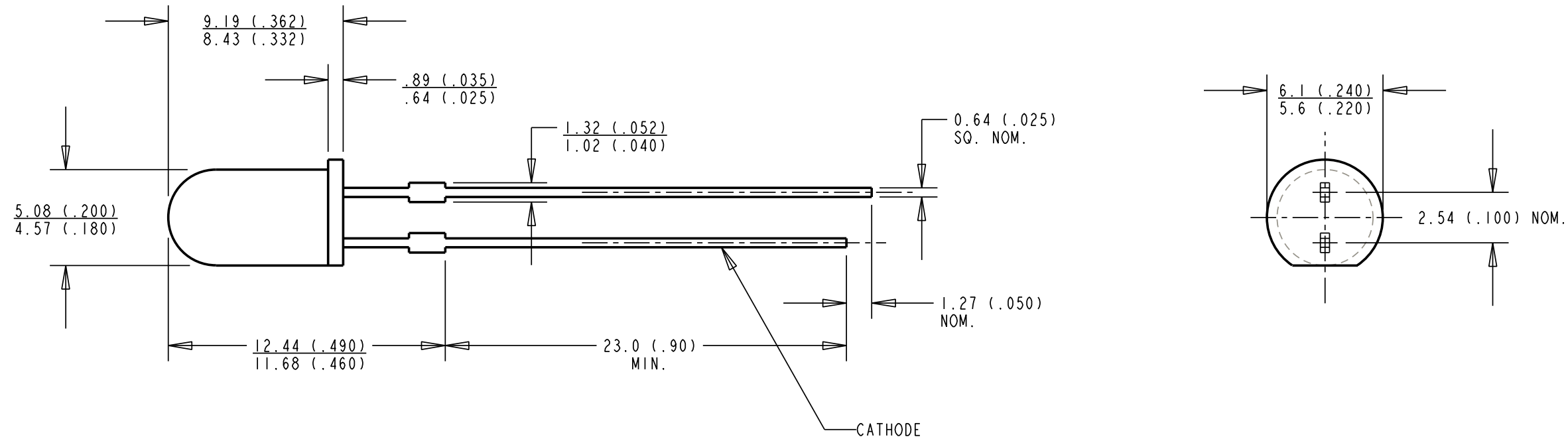


REV.	ECN NO.	REVISIONS	DRN.	CKD.	APP.	DATE
A	—	NEW RELEASE	DC	Y.C.	N.O.	8-10-00
B	—	UPDATED LED SPEC.	YIS			



NOTES:

1. EPOXY COLOR: WATER CLEAR.
2. DIE: GaAsP/GaP (YELLOW LED).
3. LEADS: MILD STEEL.
4. SOLDER ADHERANCE: BOTH LEADS PER MIL. STD. 202E, METHOD 208C.
5. DIMENSIONS ARE IN mm (IN.).
6. DIALIGHT PART NUMBER: 521-9466

LED CHARACTERISTICS	MIN.	TYP.	MAX.	UNITS	TEST CONDITIONS
LUMINOUS INTENSITY	96.2	140.0	183.8	mc d	$I_F = 20$ mA
FORWARD VOLTAGE	1.5	2.1	2.6	V	$I_F = 20$ mA
REVERSE VOLTAGE	5.0			V	$I_R = 100$ μ A
PEAK WAVELENGTH		583		nm	
DOMINANT WAVELENGTH	578	585	593	nm	
VIEWING ANGLE (2 θ 1/2)		24		DEG.	

ABSOLUTE MAXIMUM RATINGS		UNITS
AVERAGE FORWARD CURRENT	20	mA
PEAK FORWARD CURRENT	60	mA
TRANSIENT FORWARD CURRENT (10 μ s PLUSE)	500	mA
LEAD SOLDERING TEMPERATURE FOR 5 SEC.	260	$^{\circ}$ C
OPERATING TEMPERATURE	-55 TO +100	$^{\circ}$ C
STORAGE TEMPERATURE	-55 TO +100	$^{\circ}$ C

THIS DRAWING AND THE CONTENTS HEREIN ARE CONFIDENTIAL AND THE SOLE PROPERTY OF DIALIGHT. REPRODUCTION OF THIS DRAWING OR CONSTRUCTION OF ANY PARTS WITHIN THIS DRAWING ARE FORBIDDEN WITHOUT THE WRITTEN CONSENT OF DIALIGHT.

SCALE NONE	DRAWING NUMBER	REV
ALL DIM'S IN: MM	C-16730	B
TOLERANCES: UNLESS OTHERWISE SPECIFIED	TITLE 5mm SUPERBRIGHT LED	
FRACTIONS: $\pm 1/64$	MATERIAL	
DECIMALS (.XX): $\pm .02$	Dialight	
DECIMALS (.XXX): $\pm .015$	1501 ROUTE 34 SOUTH FARMINGDALE, NJ 07727	
ANGLES: $\pm 3^{\circ}$	FSCM 83330	SHEET OF FAMILY TABLE:
FINISH:		

X-ON Electronics

Largest Supplier of Electrical and Electronic Components

Click to view similar products for [Standard LEDs - Through Hole category:](#)

Click to view products by [Dialight manufacturer:](#)

Other Similar products are found below :

[LTL-10254W](#) [LTL-1214A](#) [LTL-2231AT](#) [LTL-3251A](#) [LTL-4262N](#) [LTL-433P](#) [LTL-5234](#) [LTL87HTBK](#) [LTL-87HD4B](#) [HLMP-EL30-PS0DD](#) [1L0532V23G0TD001](#) [NSPW500CS](#) [LD CQDP-1U3U-W5-1-K](#) [LP379PPG1C0G0300001](#) [SLR-342MC3F](#) [SLX-LX3044GD](#) [SLX-LX3044ID](#) [SLX-LX3044YD](#) [1.90690.3330000](#) [SSS-LX4673ID-410B](#) [1L0532Y24I0TD001](#) [264-7SYGD/S530-E2](#) [HLMP-1301-G00FG](#) [HLMP1385](#) [LTL-10224W](#) [LTL-1224A](#) [LTL-1234A](#) [LTL-2251AT](#) [LTL-403HR](#) [LTL-4222](#) [LU7-E-B](#) [4380H1](#) [HLMP-3962-F0002](#) [HLMP-GG15-R0000](#) [L53SRC/E-Z](#) [L-7679C1ZGC](#) [4302T1-5V](#) [4306D23](#) [4363D1/5](#) [WP1503SRC/J4](#) [WP153YDT](#) [WP1543SGC](#) [WP1543SRC/D](#) [WP1543SURC](#) [WP53MGD](#) [WP7113HD](#) [WP7113MBD](#) [WP7113MGC](#) [WP7143SEC/H](#) [Z-221A](#)