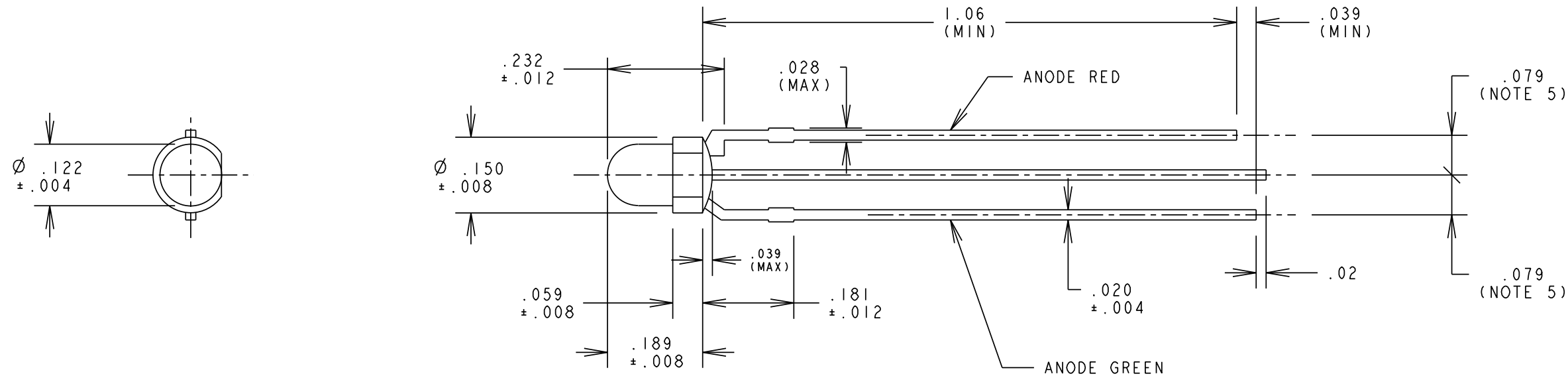


REV	ECN NO	REVISIONS	DRN	CKD	APP	DATE
A	—	NEW RELEASE	TWC			



NOTES:

- EPOXY COLOR: WHITE DIFFUSED.
- DIE: GaAsP/GaP RED & GaP GREEN.
- LEAD FINISH: SILVER (Ag) 2.5 MICRONS, COPPER (Cu) 1.5 MICRONS, BASE LEAD FRAME IRON.
- SOLDER ADHERANCE: BOTH LEADS PER MIL. STD. 202E, METHOD 208C.
- LEAD SPACING MEASURED NEAR EPOXY PACKAGE.
- THIS ASSEMBLY CONTAINS ELECTROSTATIC DISCHARGE SENSITIVE DEVICES (ESDS). MAINTAIN ALL PRECAUTIONARY MEASURES DURING ASSEMBLY, HANDLING AND STORAGE IN ACCORDANCE WITH IPC-A-610.

OPERATING CHARACTERISTICS AT 25° C AMBIENT

LED CHARACTERISTICS	COLOR	MIN.	TYP.	MAX.	UNITS	TEST CONDITIONS
LUMINOUS INTENSITY	RED GREEN	4 6	8 12		mcd	$I_f = 20 \text{ mA}$
FORWARD VOLTAGE	RED GREEN		2.0 2.1	2.5	V	$I_f = 20 \text{ mA}$
REVERSE CURRENT	RED GREEN			20	μA	$V_R = 4 \text{ V}$
PEAK WAVELENGTH (λ_p)	RED GREEN		630 560		nm	
VIEWING ANGLE ($2\theta \ 1/2$)	RED GREEN		80		deg.	
CAPACITANCE	RED GREEN		35 40		pF	$V_f = 0; f = 1 \text{ MHz}$

RoHS Compliant 521-9664F Thru hole Bi-color LED

Part Numbers with the "F" suffix ending are RoHS Compliant. Packaging is marked with "RoHS Compliant" label or equivalent markings. Parts can be wave soldered, dip soldered or hand soldered using typical lead-free soldering process with max 260°C temp. for 5 sec.

ABSOLUTE MAXIMUM RATINGS AT 25° C AMBIENT

	RED	GREEN	UNITS
POWER DISSIPATION	75	75	mW
DERATE LINEARLY FROM 25° C	0.85	0.85	mW/°C
CONTINUOUS FORWARD CURRENT	30	30	mA
PEAK FORWARD CURRENT	100	100	mA
REVERSE VOLTAGE	4	4	V
LEAD SOLDERING TEMPERATURE, 5 SEC., 1/16" FROM BODY	260		°C
OPERATING TEMPERATURE	-30 TO +85		°C
STORAGE TEMPERATURE	-30 TO +100		°C



ATTENTION:
OBSERVE PRECAUTIONS FOR
HANDLING ELECTROSTATIC
SENSITIVE DEVICES

THIS DRAWING AND THE CONTENTS HEREIN ARE CONFIDENTIAL AND THE SOLE PROPERTY OF DIALIGHT. REPRODUCTION OF THIS DRAWING OR CONSTRUCTION OF ANY PARTS WITHIN THIS DRAWING ARE FORBIDDEN WITHOUT THE WRITTEN CONSENT OF DIALIGHT.		
SCALE: DRAWING SCALE ALL DIM'S IN: INCHES (MM)	DRAWING NUMBER C-17399	REV A
TOLERANCES: UNLESS OTHERWISE SPECIFIED FRACTIONS: ±1/64 DECIMALS (.XX): ±.01 DECIMALS (.XXX): ±.005 DECIMALS (.XXXX): ±.0005 ANGLES: ±1°	TITLE RED/GREEN BI-COLOR RoHS COMPLIANT	
FINISH:	MATERIAL	
FSCM 83330	1501 ROUTE 34 SOUTH FARMINGDALE, NJ 07727	
	SHEET 1 OF 1	FAMILY TABLE:

X-ON Electronics

Largest Supplier of Electrical and Electronic Components

Click to view similar products for [Standard LEDs - Through Hole category](#):

Click to view products by [Dialight manufacturer](#):

Other Similar products are found below :

[LTL-10254W](#) [LTL-1214A](#) [LTL-2231AT](#) [LTL-3251A](#) [LTL-4262N](#) [LTL-433P](#) [LTL-5234](#) [LTL87HTBK](#) [LTL-87HD4B](#) [HLMP-EL30-PS0DD](#) [1L0532V23G0TD001](#) [NSPW500CS](#) [LD CQDP-1U3U-W5-1-K](#) [LP379PPG1C0G0300001](#) [SLR-342MC3F](#) [SLX-LX3044GD](#) [SLX-LX3044ID](#) [SLX-LX3044YD](#) [1.90690.3330000](#) [SSS-LX4673ID-410B](#) [1L0532Y24I0TD001](#) [264-7SYGD/S530-E2](#) [HLMP-1301-G00FG](#) [HLMP1385](#) [LTL-10224W](#) [LTL-1224A](#) [LTL-1234A](#) [LTL-2251AT](#) [LTL-403HR](#) [LTL-4222](#) [LU7-E-B](#) [4380H1](#) [HLMP-3962-F0002](#) [HLMP-GG15-R0000](#) [L53SRC/E-Z](#) [L-7679C1ZGC](#) [4302T1-5V](#) [4306D23](#) [4363D1/5](#) [WP1503SRC/J4](#) [WP153YDT](#) [WP1543SGC](#) [WP1543SRC/D](#) [WP1543SURC](#) [WP53MGD](#) [WP7113HD](#) [WP7113MBD](#) [WP7113MGC](#) [WP7143SEC/H](#) [Z-221A](#)