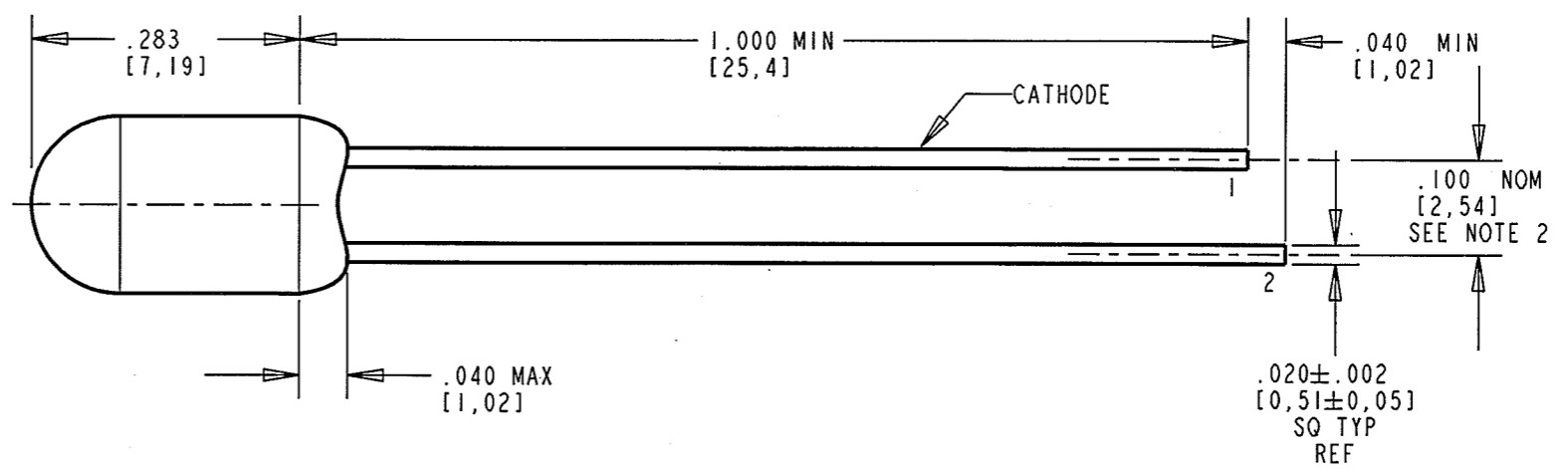
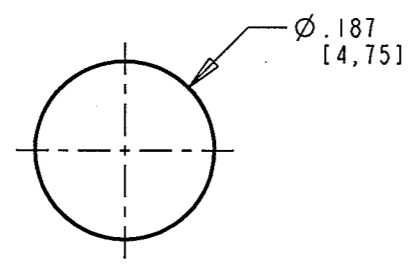


DIALIGHT PART NUMBER	LED & LENS COLOR	PEAK EMISSION WAVELENGTH (nm)	DOMINANT WAVELENGTH (nm)	VIEWING ANGLE (DEG) 2θ 1/2	LUMINOUS INTENSITY (mcd) @ I _F = 10 mA; 25°C		FORWARD VOLTAGE (V) @ I _F = 20 mA; 25°C		REVERSE CURRENT (μA) @ V _R = 5 V; 25°C
					MIN	TYP	TYP	MAX	MAX
521-9672F	RED DIFFUSED	635	623	60	19	60	2.0	2.6	100
521-9673F	YELLOW DIFFUSED	585	588	60	3.7	12.6	2.1	2.6	100
521-9674F	GREEN DIFFUSED	565	569	60	12.6	40	2.1	2.6	100

REV	ECN NO	REVISIONS	DRN	CKD	APP	DATE
A	—	NEW RELEASE	KLJ	1/10	1/10	1-9-09

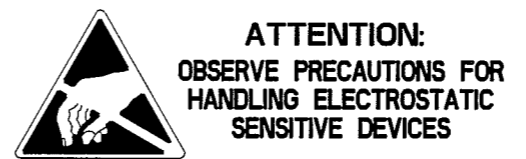
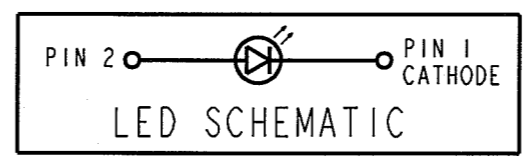


- NOTES:
1. DIE: GaAsP/GaP (RED & YELLOW)
GaP (GREEN)
 2. LEAD SPACING MEASURED NEAR EPOXY PACKAGE.
 3. PIN NUMBERS FOR REFERENCE ONLY, DESIGNATION NON-EXISTENT ON PART.
 4. DIALIGHT PART NUMBERS: 521-9672F, 521-9673F, 521-9674F
 5. THIS ASSEMBLY CONTAINS ELECTROSTATIC DISCHARGE SENSITIVE DEVICES (ESDS). MAINTAIN ALL PRECAUTIONARY MEASURES DURING ASSEMBLY, HANDLING, AND STORAGE IN ACCORDANCE WITH IPC-A-610.

RoHS COMPLIANT 521-967XF

Part Numbers with the "F" suffix ending are RoHS Compliant. Packaging is marked with "RoHS Compliant" label or equivalent markings. Parts can be wave soldered, dip soldered or hand soldered using typical lead-free soldering process with max 260°C temp. for 5 sec.

ABSOLUTE MAXIMUM RATINGS AT 25°C AMBIENT				
CHARACTERISTIC	RED DIFFUSED	YELLOW DIFFUSED	GREEN DIFFUSED	UNITS
POWER DISSIPATION	100	60	100	mW
CONTINUOUS FORWARD CURRENT	30	20	30	mA
PEAK FORWARD CURRENT (1/10 DUTY CYCLE, 0.1 ms PULSE WIDTH)	120	80	120	mA
DERATING LINEAR FROM 50°C	0.4	0.25	0.4	mA/°C
REVERSE VOLTAGE	5			V
SOLDERING TEMPERATURE (.063 IN. FROM BODY FOR 5 SEC)	260			°C
OPERATING TEMPERATURE	-55 TO +100			°C
STORAGE TEMPERATURE	-55 TO +100			°C



THIS DRAWING AND THE CONTENTS HEREIN ARE CONFIDENTIAL AND THE SOLE PROPERTY OF DIALIGHT. REPRODUCTION OF THIS DRAWING OR CONSTRUCTION OF ANY PARTS WITHIN THIS DRAWING ARE FORBIDDEN WITHOUT THE WRITTEN CONSENT OF DIALIGHT.

SCALE: 5.000

ALL DIM'S IN: INCHES (MM)

TOLERANCES: UNLESS OTHERWISE SPECIFIED

FRACTIONS: ±1/64

DECIMALS (.XX): ±.02

DECIMALS (.XXX): ±.01

DECIMALS (.XXXX): ±.0005

ANGLES: ±1°

FINISH:

FSCM 83330

DRAWING NUMBER: C-17635

REV: A

TITLE: 5MM LED, DIFFUSED FLANGELESS

MATERIAL:

Dialight 1501 ROUTE 34 SOUTH FARMINGDALE, NJ 07727

SHEET 1 OF 1 FAMILY TABLE:

X-ON Electronics

Largest Supplier of Electrical and Electronic Components

Click to view similar products for [Standard LEDs - Through Hole category:](#)

Click to view products by [Dialight manufacturer:](#)

Other Similar products are found below :

[LTL-10254W](#) [LTL-1214A](#) [LTL-2231AT](#) [LTL-3251A](#) [LTL-4262N](#) [LTL-433P](#) [LTL-5234](#) [LTL87HTBK](#) [LTL-87HD4B](#) [HLMP-EL30-PS0DD](#) [1L0532V23G0TD001](#) [NSPW500CS](#) [LD CQDP-1U3U-W5-1-K](#) [LP379PPG1C0G0300001](#) [SLR-342MC3F](#) [SLX-LX3044GD](#) [SLX-LX3044ID](#) [SLX-LX3044YD](#) [1.90690.3330000](#) [SSS-LX4673ID-410B](#) [1L0532Y24I0TD001](#) [264-7SYGD/S530-E2](#) [HLMP-1301-G00FG](#) [HLMP1385](#) [LTL-10224W](#) [LTL-1224A](#) [LTL-1234A](#) [LTL-2251AT](#) [LTL-403HR](#) [LTL-4222](#) [LU7-E-B](#) [4380H1](#) [HLMP-3962-F0002](#) [HLMP-GG15-R0000](#) [L53SRC/E-Z](#) [L-7679C1ZGC](#) [4302T1-5V](#) [4306D23](#) [4363D1/5](#) [WP1503SRC/J4](#) [WP153YDT](#) [WP1543SGC](#) [WP1543SRC/D](#) [WP1543SURC](#) [WP53MGD](#) [WP7113HD](#) [WP7113MBD](#) [WP7113MGC](#) [WP7143SEC/H](#) [Z-221A](#)