

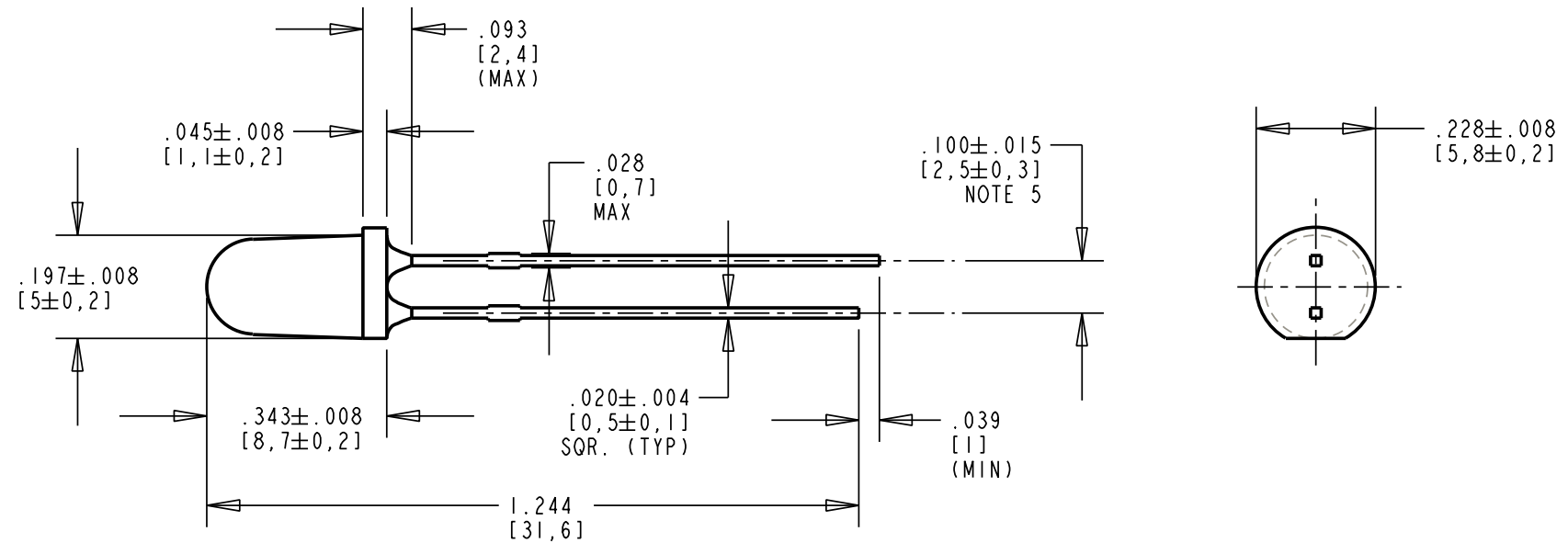
REV	ECN NO	REVISIONS	DRN	CKD	APP	DATE
A	—	NEW RELEASE	TC			

OPERATING CHARACTERISTICS AT 25° C AMBIENT

LED CHARACTERISTICS	MIN.	TYP.	MAX.	UNITS	TEST CONDITIONS
FORWARD VOLTAGE		2.15	2.6	V	$I_f = 20 \text{ mA}$
REVERSE VOLTAGE	5	20		V	$I_R = 100 \mu\text{A}$
LUMINOUS INTENSITY	1650*		6300*	mcd	$I_f = 20 \text{ mA}$
CAPACITANCE		40		pF	$V_f = 0; f = 1 \text{ MHz}$
PEAK WAVELENGTH		594		nm	$I_f = 20 \text{ mA}$
DOMINANT WAVELENGTH		592		nm	$I_f = 20 \text{ mA}$
VIEWING ANGLE (2 θ 1/2)		30		deg.	
SPECTRAL HALFWIDTH		17		nm	$I_f = 20 \text{ mA}$

ABSOLUTE MAXIMUM RATINGS AT 25° C AMBIENT

		UNITS
PEAK FORWARD CURRENT	70	mA
AVERAGE FORWARD CURRENT (@ $I_{PEAK} = 100 \text{ mA}; f \geq 1 \text{ KHz}$)	30	mA
DC FORWARD CURRENT	50	mA
DERATE LINEARLY FROM 50°C	0.7	mA/°C
TRANSIENT FORWARD CURRENT (10 μ s PULSE)	500	mA
SOLDERING TEMPERATURE, 5 SEC., 1/16" FROM BASE	260	°C
OPERATING TEMPERATURE	-40 TO +100	°C
STORAGE TEMPERATURE	-40 TO +120	°C



NOTES:

- EPOXY COLOR: CLEAR NON-DIFFUSED.
- DIE: TS AlInGaP, AMBER.
- SOLDER ADHERANCE: BOTH LEADS PER MIL. STD. 202E, METHOD 208C, EXCEPT STEAM AGING.
- LEAD SPACING MEASURED NEAR EPOXY PACKAGE.
- LEDS TO BE PACKAGED IN BULK
- PACKAGE TO HAVE LABEL SHOWING DIALIGHT PART NUMBER, QTY PER BAG, DATE CODE, COUNTRY OF ORIGIN, AND INTENSITY BIN, COLOR BIN AND LOT NUMBER.
- * THESE NUMBERS REFLECT 15% TOLERANCE IN BINNING. WITHOUT THE 15% TOLERANCE THE MINIMUM IS 1900cd AND MAX. 5500cd.
- DIALIGHT PART NUMBER: 521-9829F
- PART NUMBER WITH "F" SUFFIX ENDING IS RoHS COMPLIANT. THE BAG PACKAGING IS MARKED WITH "RoHS COMPLIANT" LABEL OR EQUIVALENT MARKINGS. PART CAN BE WAVE SOLDERED, DIP SOLDERED OR HAND SOLDERED USING TYPICAL LEAD-FREE SOLDERING PROCESS WITH MAX. 260°C TEMPERATURE FOR 5 SEC.

THIS DRAWING AND THE CONTENTS HEREIN ARE CONFIDENTIAL AND THE SOLE PROPERTY OF DIALIGHT. REPRODUCTION OF THIS DRAWING OR CONSTRUCTION OF ANY PARTS WITHIN THIS DRAWING ARE FORBIDDEN WITHOUT THE WRITTEN CONSENT OF DIALIGHT.

SCALE: DRAWING SCALE	DRAWING NUMBER	REV
ALL DIM'S IN: INCHES (MM)	C-17431	A
TOLERANCES: UNLESS OTHERWISE SPECIFIED	TITLE LAMP	
FRACTIONS: $\pm 1/64$	MATERIAL	
DECIMALS (.XX): $\pm .01$	FINISH:	
DECIMALS (.XXX): $\pm .005$	FSCM 83330	
DECIMALS (.XXXX): $\pm .0005$	SHEET 1 OF 1 FAMILY TABLE:	
ANGLES: $\pm 1^\circ$	Dialight 1501 ROUTE 34 SOUTH FARMINGDALE, NJ 07727	

X-ON Electronics

Largest Supplier of Electrical and Electronic Components

Click to view similar products for [Standard LEDs - Through Hole category](#):

Click to view products by [Dialight manufacturer](#):

Other Similar products are found below :

[LTL-10254W](#) [LTL-1214A](#) [LTL-1BEDJ](#) [LTL-2231AT](#) [LTL-3251A](#) [LTL-4262N](#) [LTL-5234](#) [LTL87HTBK](#) [LTD-87HD4B](#) [7383/V7C3-BSTA-L/PR3/MS](#) [G22041431007J2C000](#) [HLMP-AG64-X10ZZ](#) [HLMP-EG1A-Z10DV](#) [HLMP-EL3B-WXKDD](#) [HLMP-HB74-UVBDD](#) [HLMP-HG65-VY0DD](#) [HLMP-HM74-34CDD](#) [HLMP-HM75-34CDD](#) [1L0532V23G0TD001](#) [NSPW500CS](#) [C4SMA-BGF-CQ34Q3C2](#) [L53GC13](#) [264-7SURTS530-A3](#) [L-C150JRCT](#) [S4SMS-BJF-CQ42QGF2](#) [S4SMS-GJF-CW12QMF2](#) [LD CQDP-1U3U-W5-1-K](#) [LNX998CKBDA](#) [LO566UHR3-70G-A3](#) [SLA560WBD2PT3](#) [LP379PPG1C0G0300001](#) [SLR-322MCT32](#) [SLR-342DUT32](#) [SLR-342MC3F](#) [SLR343BC7TT32](#) [SLR343BCTT32](#) [SLX-LX3044GD](#) [SLX-LX3044ID](#) [SLX-LX3044YD](#) [SNW-LX504SRC/4](#) [1.90690.3330000](#) [SSL-LX20483ID](#) [SSL-LX3034YD](#) [SSL-LX5093LGT-11](#) [SSL-LX5093PGC](#) [SSL-LX5093SRC/F](#) [SSL-LX5093SYT](#) [SSL-LX5099SRSGC-CA](#) [SSL-LX509E3SIT](#) [SSL-LX509FT3ID](#)