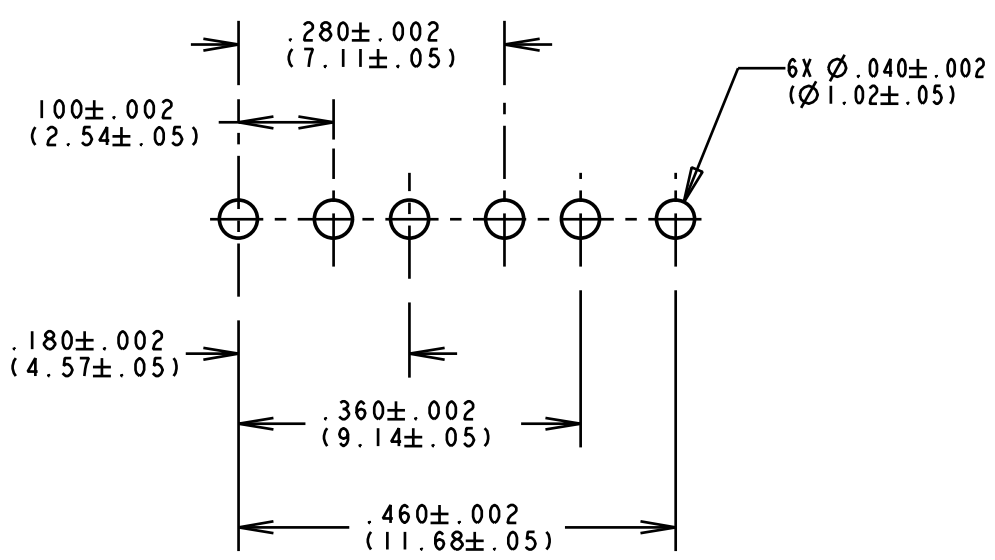
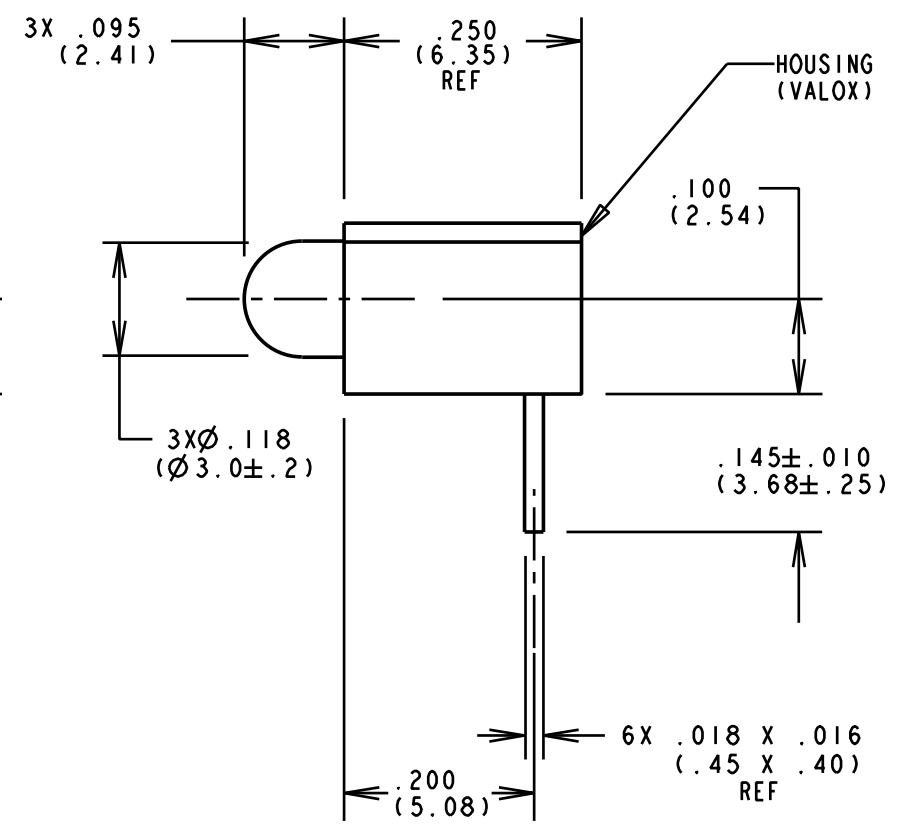
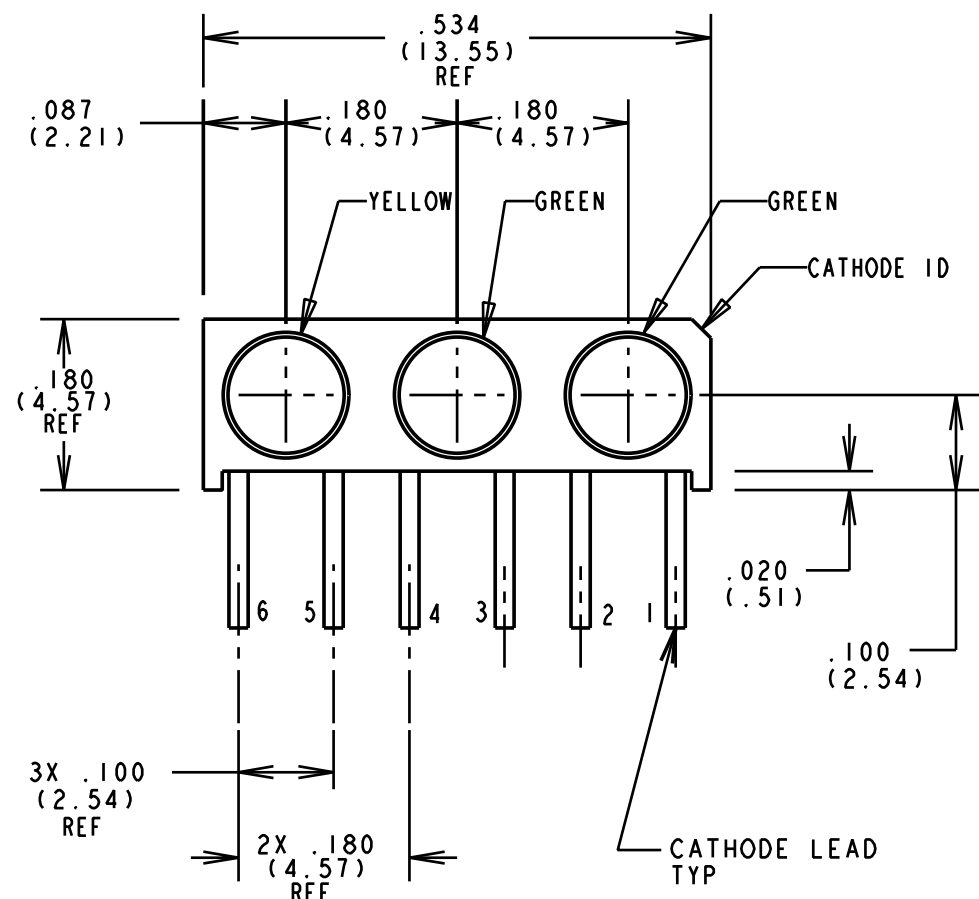
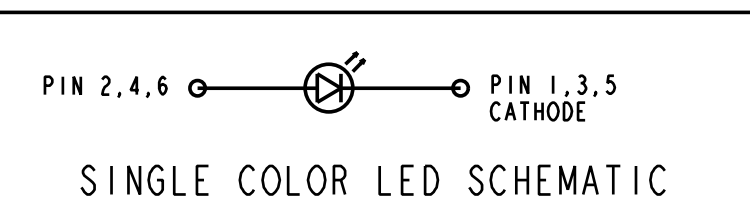


REV	ECN NO	REVISIONS	DRN	CKD	APP	DATE
A		NEW RELEASE	JMC			



RECOMMENDED PC BOARD HOLE PATTERN



- NOTE:
- LED LEAD DIMENSIONS ARE MEASURED AT HOUSING EXIT.
 - MILLIMETER DIMENSIONS SHOWN FOR REFERENCE ONLY.
 - PIN NUMBERS FOR REFERENCE ONLY. DESIGNATION NON-EXISTENT ON PARTS.
 - DIALIGHT PART NUMBER: 551-0003-828.

OPERATING CHARACTERISTICS AT T_A = 25°C

SYMBOL	PARAMETER	COLOR	MIN	TYP	MAX	UNITS	TEST COND.
V _F	FORWARD VOLTAGE	GREEN		2.1	2.8	V	I _F = 10 mA
		YELLOW		2.1	2.8		
I _R	REV. CURRENT	ALL			100	μA	V _R = 5V
λ _{PK}	PEAK WAVELENGTH	GREEN		565		nm	MEASURED AT PEAK
		YELLOW		585			
I _V	LUMINOUS INTENSITY	GREEN	4.7	12.6		mcd	I _F = 10 mA
		YELLOW	7.4	10.0			

ABSOLUTE MAXIMUM RATINGS AT 25°C AMBIENT			GREEN	YELLOW	UNITS
POWER DISSIPATION			100	60	mW
CONTINUOUS FORWARD CURRENT			30	20	mA
DERATE LINEARLY FROM 50 °C			0.40	0.25	mA/°C
PEAK FORWARD CURRENT			120	80	mA
LEAD SOLDERING TEMP. 5 SEC. 1/16" FROM BASE			260		°C
OPERATING TEMPERATURE			-55 TO +100		°C
STORAGE TEMPERATURE			-55 TO +100		°C

THIS DRAWING AND THE CONTENTS HEREIN ARE CONFIDENTIAL AND THE SOLE PROPERTY OF DIALIGHT. REPRODUCTION OF THIS DRAWING OR CONSTRUCTION OF ANY PARTS WITHIN THIS DRAWING ARE FORBIDDEN WITHOUT THE WRITTEN CONSENT OF DIALIGHT.

SCALE: 5:1	DRAWING NUMBER	REV
ALL DIM'S IN: INCHES (MM)	C-17155	A
TOLERANCES: UNLESS OTHERWISE SPECIFIED	TITLE	
FRACTIONS: ±1/64	3mm LED CBI TRI-BLOCK	
DECIMALS (.XX): ±.02	MATERIAL	
DECIMALS (.XXX): ±.015	Dialight	
DECIMALS (.XXXX): ±.0005	1501 ROUTE 34 SOUTH	
ANGLES: ±3°	FARMINGDALE, NJ 07727	
FINISH:	FSCM 83330	SHEET 1 OF 1 FAMILY TABLE:

X-ON Electronics

Largest Supplier of Electrical and Electronic Components

Click to view similar products for [LED Circuit Board Indicators](#) category:

Click to view products by [Dialight](#) manufacturer:

Other Similar products are found below :

[568-0701-841F](#) [LTL-4221NH129](#) [LTL-42DGNMHDP1](#) [HLMP1521101](#) [HLMP1523802F](#) [HLMP1700101F](#) [HLMP1700104F](#) [BHA-1564-G](#)
[SMF-HM1530YD-305](#) [SSF-LXH409SYSUGW](#) [AM2520EHSGD](#) [HLMP1301104F](#) [HLMP1385101F](#) [HLMP1421101](#) [HLMP1503103F](#)
[HLMP1503104F](#) [HLMP1700102F](#) [HLMP1700106F](#) [HLMP1700107F](#) [HLMP1790101F](#) [HLMP1790103F](#) [LTL-4211NHBP](#) [5390H3](#) [551-](#)
[2802F](#) [552-0794-810F](#) [553-0222-812F](#) [HT3-BC-T](#) [564-0700-831F](#) [WP59BLGEW](#) [103-3101-1231-403](#) [5502407811F](#) [550-3007-810F](#) [551-](#)
[3307MF](#) [552080-1](#) [573-2399-100F](#) [592-2020-302F](#) [5932-927-2701-3F](#) [SMF-HM1530SRD-509](#) [SSF-LXH100MID](#) [SSF-LXH2103SRSDRP](#)
[SSF-LXH555USBW](#) [WP937SB/4YGW](#) [WP937EB2EGW](#) [551-0312-802F](#) [553-0110-802F](#) [561-5501-050F](#) [6202T3-5VLC](#) [LTL-307G08A-D](#)
[CMD57164](#) [568-2231-313F](#)