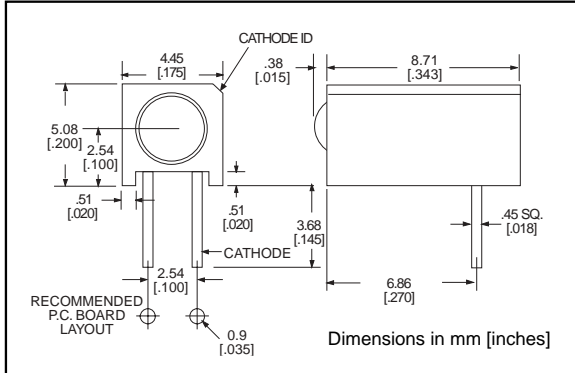


3mm

# LED CBI® Circuit Board Indicator For Backlighting



551-xx02



Standard Polarity shown in drawing: Cathode right

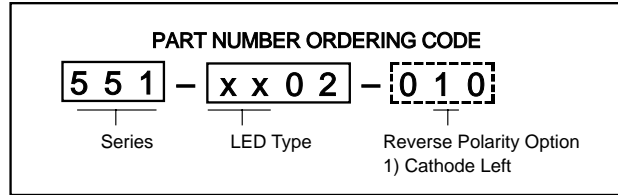
**PART NO.**  
**HIGH EFFICIENCY, TINTED,**  
**NON DIFFUSED**  
 551-1502  
 551-1602  
 551-1702

**COLOR**  
  
 Green  
 Yellow  
 Red

To order any of the 551-xx02 part numbers with **Reverse Polarity (Cathode Left)**, please add -010 to the part numbers shown above.

### Features

- Multiple CBIs form horizontal LED arrays on 4.45mm (0.175") center-lines
- Extended housing and narrow viewing angle LEDs reduce light bleed
- High Contrast, UL 94 V-0 rated, black housing
- Oxygen index: 31.5%
- Polymer content: PBT, 2.242 g
- Housing stand-offs facilitate PCB cleaning
- Solderability per MIL-STD-202F, method 208F
- LEDs are safe for direct viewing per IEC 825-1, EN-60825-1
- Compatible with:
  - 553-22xx-100 Bi-Level
  - 564-2210-xxx Tri-Level
  - 568-221x-xxx Quad-Level



-010 Ordering Code Suffix required ONLY for Reverse Polarity Option

### Tolerance note: As noted, otherwise:

- LED Protrusion: ±0.04 mm [±0.016]
- CBI Housing: ±0.02mm[±0.008]

### Typical Operating Characteristics @ TA=25°C

See LED data sheet for additional information

See page 4-70 and 4-71 for Reference Only LED Drive Circuit Examples. See page 4-72 for Pin Out

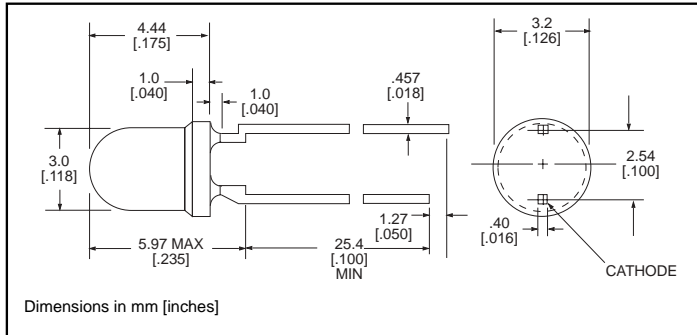
Part Number	Color	Peak Wavelength nm	Iv mcd	Vf Volts*	Test Current (mA)	Viewing Angle 2θ%	LED Data sheet	Page #
551-1502	Green	565	50	2.1	10	45°	521-9430	4-61
551-1602	Yellow	585	20	2.1	10	45°	521-9431	4-61
551-1702	Red	635	29	2	10	45°	521-9432	4-61

\* If = 20mA

**3mm Discrete LED**  
**High Efficiency**  
**Tinted, Non-Diffused**

**Dialight**

**521-9430, -9431, -9432**



<u>PART NO.</u>	<u>COLOR</u>
521-9430	Green
521-9431	Yellow
521-9432	Red

**MOUNTING CLIP: 515-0006**  
 located on page 4-65

**ABSOLUTE MAXIMUM RATINGS** ( $T_A=25^\circ\text{C}$ )

	Green <b>-9430</b>	Yellow <b>-9431</b>	Red <b>-9432</b>
Power Dissipation (mW)	100	60	100
Forward Current (mA)	30	20	30
Derating (mA/°C) From 50°C	.4	.25	.4
Peak Current (mA) Pulse width = 100µs	120	80	120
Operating Temperature (°C)	-55/+100	-55/+100	-55/+100
Storage Temperature (°C)	-55/+100	-55/+100	-55/+100
Soldering Temperature	260°C, 5 seconds, 1.6 mm from case		

Solder Adherence per MIL-STD-202E, Method 208C

**OPERATING CHARACTERISTICS** ( $T_A=25^\circ\text{C}$ )

		Green <b>-9430</b>	Yellow <b>-9431</b>	Red <b>-9432</b>
Luminous Intensity (mcd) $I_F=10\text{mA}$	Min.	32	10	8.7
	Typical	50	20	29
Peak Wavelength (nm) $\lambda$ Peak	Typical	565	585	635
Viewing Angle ( $2\theta_{1/2}$ )	Typical	45°	45°	45°
Forward Voltage (V) $I_F=20\text{mA}$	Typical	2.1	2.1	2
	Max.	2.8	2.8	2.8

$\theta_{1/2}$  is the off axis angle at which the luminous intensity is half the axial luminous intensity

**4**

## X-ON Electronics

Largest Supplier of Electrical and Electronic Components

*Click to view similar products for [LED Circuit Board Indicators](#) category:*

*Click to view products by [Dialight](#) manufacturer:*

Other Similar products are found below :

[568-0701-841F](#) [LTL-4221NH129](#) [LTL-42DGNMHDP1](#) [HLMP1521101](#) [HLMP1523802F](#) [HLMP1700101F](#) [HLMP1700104F](#) [BHA-1564-G](#)  
[SMF-HM1530YD-305](#) [SSF-LXH409SYSUGW](#) [AM2520EHSGD](#) [HLMP1301104F](#) [HLMP1385101F](#) [HLMP1421101](#) [HLMP1503103F](#)  
[HLMP1503104F](#) [HLMP1700102F](#) [HLMP1700106F](#) [HLMP1700107F](#) [HLMP1790101F](#) [HLMP1790103F](#) [LTL-4211NHBP](#) [5390H3](#) [551-](#)  
[2802F](#) [552-0794-810F](#) [553-0222-812F](#) [HT3-BC-T](#) [564-0700-831F](#) [WP59BLGEW](#) [103-3101-1231-403](#) [5502407811F](#) [550-3007-810F](#) [551-](#)  
[3307MF](#) [552080-1](#) [573-2399-100F](#) [592-2020-302F](#) [5932-927-2701-3F](#) [SMF-HM1530SRD-509](#) [SSF-LXH100MID](#) [SSF-LXH2103SRSDRP](#)  
[SSF-LXH555USBW](#) [WP937SB/4YGW](#) [WP937EB2EGW](#) [551-0312-802F](#) [553-0110-802F](#) [561-5501-050F](#) [6202T3-5VLC](#) [LTL-307G08A-D](#)  
[CMD57164](#) [568-2231-313F](#)