

PART NUMBER	LED COLOR
551-1502F	GREEN
551-1602F	YELLOW
551-1702F	RED

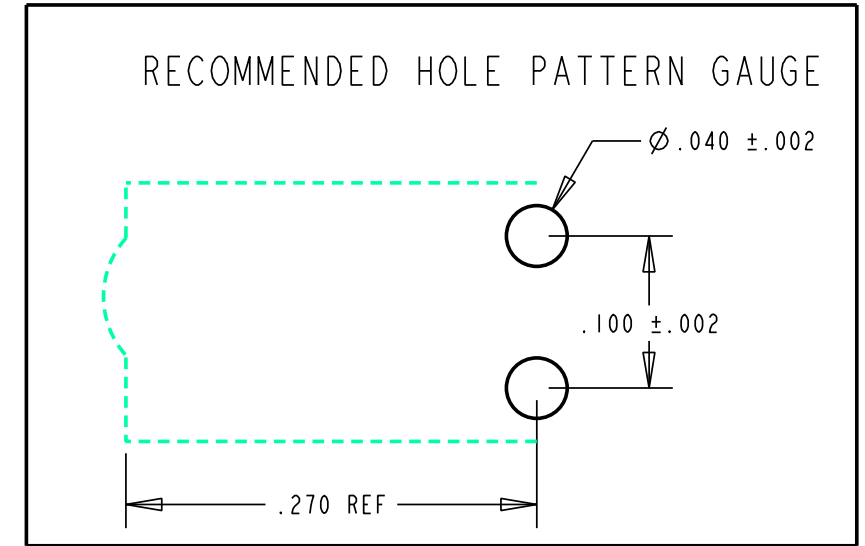
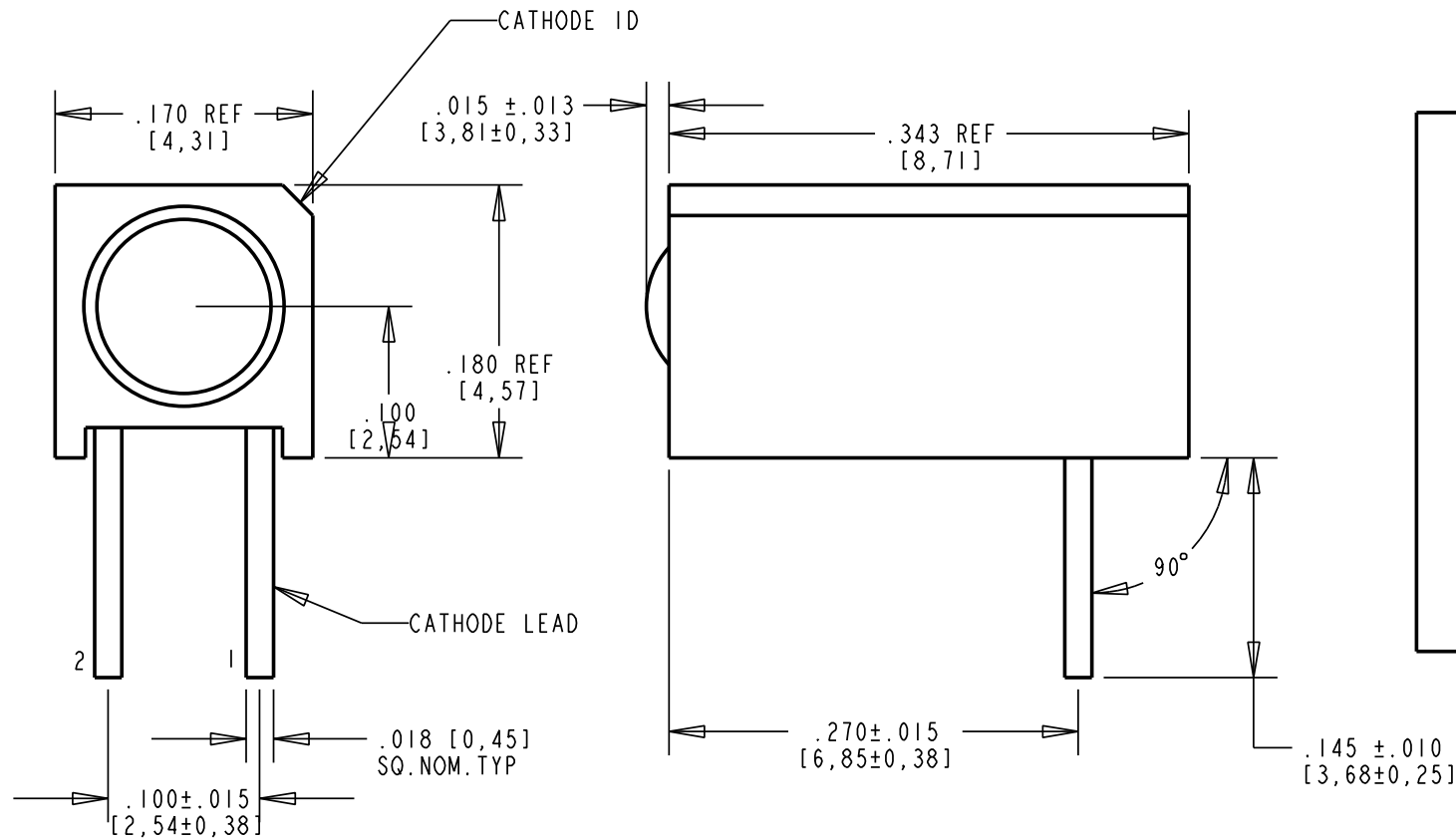
REV	ECN NO	REVISIONS	DRN	CKD	APP	DATE
A	—	NEW RELEASE	CE	AE		

RoHS Compliant 551-1X02F
 Part Numbers with the "F" suffix ending are RoHS Compliant.
 Example: 551-1502F
 Packaging is marked with "RoHS Compliant" label or equivalent markings.
 Parts can be wave soldered, dip soldered or hand soldered using typical lead-free soldering process with max 260°C temp. for 5 sec.

GREEN OPERATING CHARACTERISTICS AT 25° C					
CHARACTERISTICS	MIN	TYP	MAX	UNITS	TEST CONDITIONS
LUMINOUS INTENSITY	32	50		mc d	I _F = 10 mA
FORWARD VOLTAGE		2.1	2.8	V	I _F = 20 mA
REVERSE CURRENT			100	µA	25° C
PEAK WAVELENGTH	565			nm	

YELLOW OPERATING CHARACTERISTICS AT 25° C					
CHARACTERISTICS	MIN	TYP	MAX	UNITS	TEST CONDITIONS
LUMINOUS INTENSITY	10		50	mc d	I _F = 10 mA
FORWARD VOLTAGE		2.1	2.8	V	I _F = 20 mA
REVERSE CURRENT			100	µA	25° C
PEAK WAVELENGTH	585			nm	

RED OPERATING CHARACTERISTICS AT 25° C					
CHARACTERISTICS	MIN	TYP	MAX	UNITS	TEST CONDITIONS
LUMINOUS INTENSITY	8.7	29		mc d	I _F = 10 mA
FORWARD VOLTAGE		2.0	2.8	V	I _F = 20 mA
REVERSE CURRENT			100	µA	25° C
PEAK WAVELENGTH	635			nm	



NOTES:

- LEADS TO FIT INTO HOLES SPACED AS PER HOLE PATTERN GAUGE
- LEADS TO BE FREE OF DEFORMATION AFTER BENDING AND CUTTING
- LED LEAD DIMENSIONS SHOWN ARE MEASURED AT HOUSING EXIT
- LAMP MUST BE SEATED ALL THE WAY DOWN INTO THE HOUSING BENDS MUST BE TIGHT, NO LONGITUDINAL TRAVEL ALONG AXIS ALLOWED
- FOR DIALIGHT INTERNAL DRAWING REFER TO 551-1502F, 551-1602F, 551-1702F.
- THIS ASSEMBLY CONTAINS ELECTROSTATIC DISCHARGE SENSITIVE DEVICES (ESDS). MAINTAIN ALL PRECAUTIONARY MEASURES DURING ASSEMBLY, HANDLING AND STORAGE IN ACCORDANCE WITH IPC-A-610.

ABSOLUTE MAXIMUM RATINGS AT 25 °C AMBIENT	UNITS	RED/GREEN	YELLOW
POWER DISSIPATION	mW	100	60
DERATE LINEARLY FROM 50 °C	mA / °C	0.4	0.25
CONTINUOUS FORWARD CURRENT	mA	30	20
PEAK FORWARD CURRENT (1/10 DUTY CYCLE, 0.1 ms PULSE WIDTH)	mA	120	80
LEAD SOLDERING TEMPERATURE, 5 SEC., 1/16" FROM BODY	°C	260	
OPERATING TEMPERATURE	°C	-55 TO 100	
STORAGE TEMPERATURE	°C	-55 TO 100	



ATTENTION:
 OBSERVE PRECAUTIONS FOR
 HANDLING ELECTROSTATIC
 SENSITIVE DEVICES

THIS DRAWING AND THE CONTENTS HEREIN ARE CONFIDENTIAL AND THE SOLE PROPERTY OF DIALIGHT. REPRODUCTION OF THIS DRAWING OR CONSTRUCTION OF ANY PARTS WITHIN THIS DRAWING ARE FORBIDDEN WITHOUT THE WRITTEN CONSENT OF DIALIGHT.		
SCALE: DRAWING SCALE ALL DIM'S IN: INCHES (MM)	DRAWING NUMBER C-17374	REV A
TOLERANCES: UNLESS OTHERWISE SPECIFIED FRACTIONS: ±1/64 DECIMALS (.XX): ±.01 DECIMALS (.XXX): ±.005 DECIMALS (.XXXX): ±.0005 ANGLES: ±1°	TITLE 3mm LED CBI BLOCK RoHS COMPLIANT	MATERIAL
FINISH:	Dialight 1501 ROUTE 34 SOUTH FARMINGDALE, NJ 07727	
FSCM 83330	SHEET 1 OF 1 FAMILY TABLE:	

X-ON Electronics

Largest Supplier of Electrical and Electronic Components

Click to view similar products for [LED Circuit Board Indicators](#) category:

Click to view products by [Dialight](#) manufacturer:

Other Similar products are found below :

[568-0701-841F](#) [LTL-4221NH129](#) [LTL-42DGNMHDP1](#) [HLMP1521101](#) [HLMP1523802F](#) [HLMP1700101F](#) [HLMP1700104F](#) [BHA-1564-G](#)
[SMF-HM1530YD-305](#) [SSF-LXH409SYSUGW](#) [AM2520EHSGD](#) [HLMP1301104F](#) [HLMP1385101F](#) [HLMP1421101](#) [HLMP1503103F](#)
[HLMP1503104F](#) [HLMP1700102F](#) [HLMP1700106F](#) [HLMP1700107F](#) [HLMP1790101F](#) [HLMP1790103F](#) [LTL-4211NHBP](#) [5390H3](#) [551-](#)
[2802F](#) [552-0794-810F](#) [553-0222-812F](#) [HT3-BC-T](#) [564-0700-831F](#) [WP59BLGEW](#) [103-3101-1231-403](#) [5502407811F](#) [550-3007-810F](#) [551-](#)
[3307MF](#) [552080-1](#) [573-2399-100F](#) [592-2020-302F](#) [5932-927-2701-3F](#) [SMF-HM1530SRD-509](#) [SSF-LXH100MID](#) [SSF-LXH2103SRSDRP](#)
[SSF-LXH555USBW](#) [WP937SB/4YGW](#) [WP937EB2EGW](#) [551-0312-802F](#) [553-0110-802F](#) [561-5501-050F](#) [6202T3-5VLC](#) [LTL-307G08A-D](#)
[CMD57164](#) [568-2231-313F](#)