

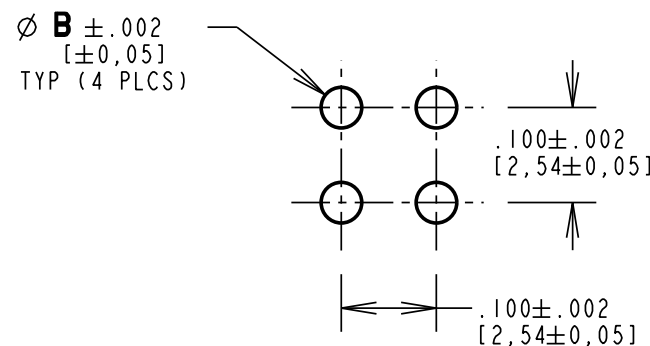
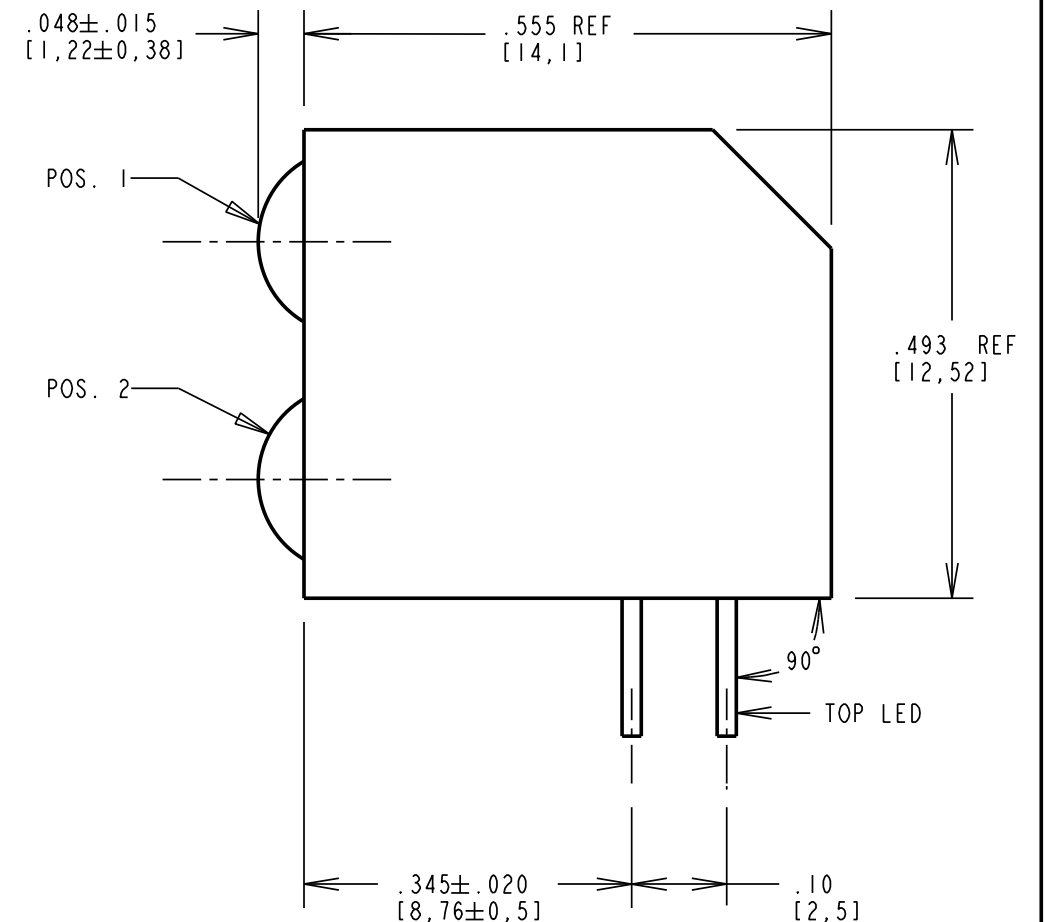
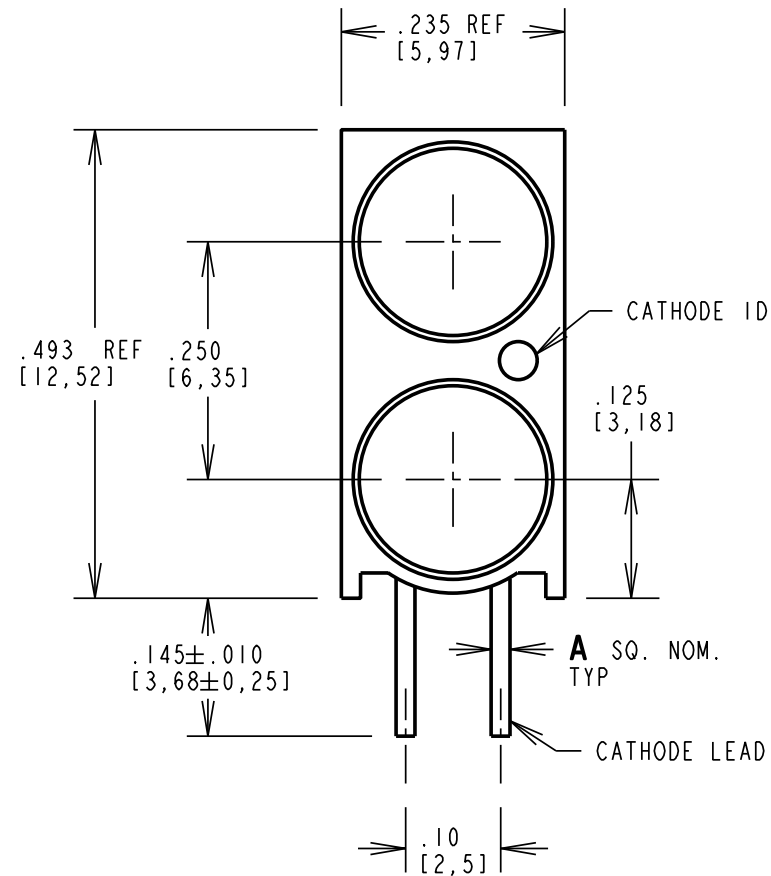
REV	ECN NO	REVISIONS	DRN	CKD	APP	DATE
A		NEW RELEASE	KLJ			

PART NUMBER	LED COLOR (TINTED, NON-DIFFUSED)	
	POSITION 1	POSITION 2
552-2211-100F	RED	RED
552-2212-100F	RED	GREEN
552-2213-100F	RED	YELLOW
552-2221-100F	GREEN	RED
552-2222-100F	GREEN	GREEN
552-2223-100F	GREEN	YELLOW
552-2231-100F	YELLOW	RED
552-2232-100F	YELLOW	GREEN
552-2233-100F	YELLOW	YELLOW

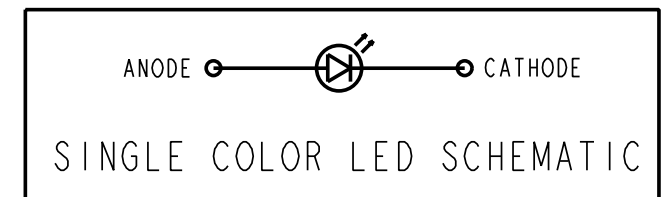
LED COLOR	DIMENSION	
	A	B
RED	.018	.040
GREEN	.018	.043
YELLOW	.020	.043

OPERATING CHARACTERISTICS AT 25°C AMBIENT						
CHARACTERISTICS	LED COLOR	MIN	TYP	MAX	UNITS	TEST CONDITIONS
LUMINOUS INTENSITY	RED	8.7	29		mcd	$I_f = 10 \text{ mA}$
	GREEN	32	50			
	YELLOW	10		50		
FORWARD VOLTAGE	RED		2.0	2.8	V	$I_f = 20 \text{ mA}$
	GREEN		2.1	2.8		
	YELLOW		2.1	2.8		
REVERSE CURRENT	RED		100		μA	$V_R = 5 \text{ V}$
	GREEN		100			
	YELLOW		100			
PEAK WAVELENGTH	RED		635		nm	
	GREEN		565			
	YELLOW		585			
VIEWING ANGLE	ALL		45		DEG	

ABSOLUTE MAXIMUM RATINGS AT 25°C AMBIENT				
	UNITS	RED	GREEN	YELLOW
POWER DISSIPATION	mW	100	100	60
FORWARD DC CURRENT	mA	30	30	20
LINEAR DERATION FROM 50°C	mA/°C	0.4	0.4	0.25
PEAK FORWARD CURRENT (1/10 DUTY CYCLE, 0.1ms PULSE WIDTH)	mA	120	120	80
OPERATING TEMPERATURE	°C	-55 TO +100		
STORAGE TEMPERATURE	°C	-55 TO +100		
LEAD SOLDERING TEMPERATURE, 5 SEC, 1/16" FROM BODY	°C	260		



RECOMMENDED PC BOARD HOLE PATTERN



ATTENTION:
OBSERVE PRECAUTIONS FOR
HANDLING ELECTROSTATIC
SENSITIVE DEVICES

NOTES:

- LEADS TO FIT INTO HOLES SPACED AS PER PATTERN.
- LED LEAD DIMENSIONS SHOWN ARE MEASURED AT HOUSING EXIT.
- DIALIGHT PART NUMBERS: 552-22XX-100F.
- THIS ASSEMBLY CONTAINS ELECTROSTATIC DISCHARGE SENSITIVE DEVICES (ESDS). MAINTAIN ALL PRECAUTIONARY MEASURES DURING ASSEMBLY, HANDLING, AND STORAGE IN ACCORDANCE WITH IPC-A-610.

RoHS Compliant 552-22XX-100F
Thru-hole Bi-level CBI

Part Numbers with the "F" suffix ending are RoHS Compliant. For example: 552-2222-100F. The bag packaging is marked with "RoHS Compliant" label or equivalent markings. Parts can be wave soldered, dip soldered or hand soldered using typical lead-free soldering process with max 260°C temp. for 5 sec.

THIS DRAWING AND THE CONTENTS HEREIN ARE CONFIDENTIAL AND THE SOLE PROPERTY OF DIALIGHT. REPRODUCTION OF THIS DRAWING OR CONSTRUCTION OF ANY PARTS WITHIN THIS DRAWING ARE FORBIDDEN WITHOUT THE WRITTEN CONSENT OF DIALIGHT.		
SCALE: DRAWING SCALE ALL DIM'S IN: INCHES (MM)	DRAWING NUMBER C-17579	REV A
TOLERANCES: UNLESS OTHERWISE SPECIFIED FRACTIONS: ±1/64 DECIMALS (.XX): ±.01 DECIMALS (.XXX): ±.005 DECIMALS (.XXXX): ±.0005 ANGLES: ±1°	TITLE 5mm BACKLIGHTING BI-LEVEL RoHS COMPLIANT	
FINISH:	MATERIAL	
FSCM 83330	Dialight	1501 ROUTE 34 SOUTH FARMINGDALE, NJ 07727
	SHEET 1 OF 1	FAMILY TABLE:

X-ON Electronics

Largest Supplier of Electrical and Electronic Components

Click to view similar products for [LED Circuit Board Indicators](#) category:

Click to view products by [Dialight](#) manufacturer:

Other Similar products are found below :

[568-0701-841F](#) [LTL-4221NH129](#) [LTL-42DGNMHDP1](#) [HLMP1521101](#) [HLMP1523802F](#) [HLMP1700101F](#) [HLMP1700104F](#) [BHA-1564-G](#)
[SMF-HM1530YD-305](#) [SSF-LXH409SYSUGW](#) [AM2520EHSGD](#) [HLMP1301104F](#) [HLMP1385101F](#) [HLMP1421101](#) [HLMP1503103F](#)
[HLMP1503104F](#) [HLMP1700102F](#) [HLMP1700106F](#) [HLMP1700107F](#) [HLMP1790101F](#) [HLMP1790103F](#) [LTL-4211NHBP](#) [5390H3](#) [551-](#)
[2802F](#) [552-0794-810F](#) [553-0222-812F](#) [HT3-BC-T](#) [564-0700-831F](#) [WP59BLGEW](#) [103-3101-1231-403](#) [5502407811F](#) [550-3007-810F](#) [551-](#)
[3307MF](#) [552080-1](#) [573-2399-100F](#) [592-2020-302F](#) [5932-927-2701-3F](#) [SMF-HM1530SRD-509](#) [SSF-LXH100MID](#) [SSF-LXH2103SRSDRP](#)
[SSF-LXH555USBW](#) [WP937SB/4YGW](#) [WP937EB2EGW](#) [551-0312-802F](#) [553-0110-802F](#) [561-5501-050F](#) [6202T3-5VLC](#) [LTL-307G08A-D](#)
[CMD57164](#) [568-2231-313F](#)