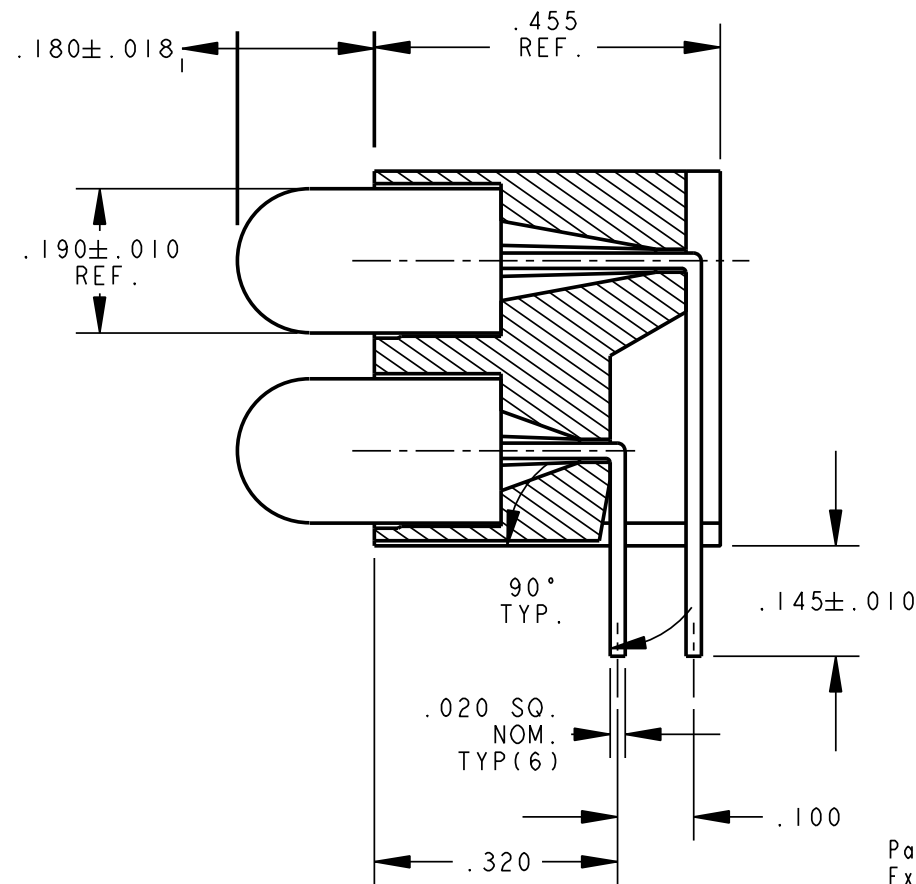
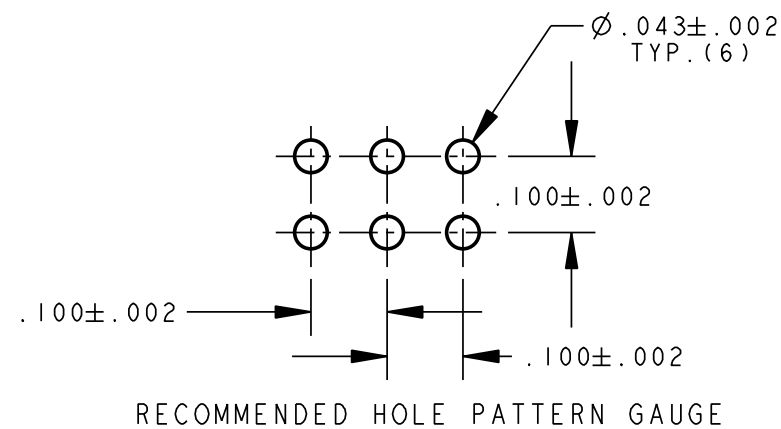
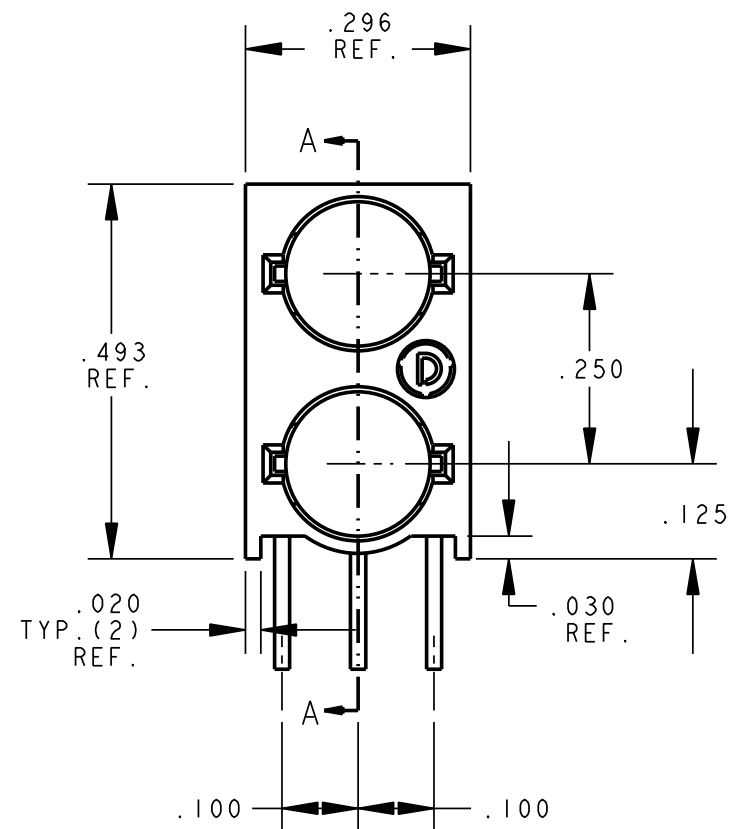


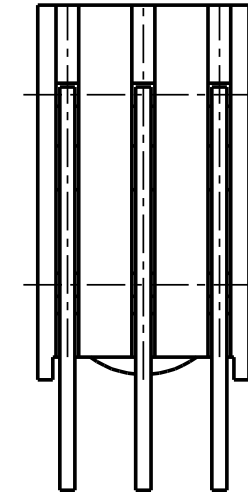
REV	ECN NO	REVISIONS	DRN	CKD	APP	DATE
A		NEW RELEASE	TWC			

LED COLOR = YELLOW / GREEN DIFFUSED						
OPERATING TEMPERATURES AT 25°C AMBIENT						
CHARACTERISTICS	COLOR	MIN	TYP	MAX	UNITS	TEST CONDITIONS
LUMINOUS INTENSITY	YELLOW	2.1			mcd	If = 10mA
	GREEN	4.2				
FORWARD VOLTAGE	YELLOW		1.6	2.5	V	If = 10mA
	GREEN		1.6	2.5		
REVERSE VOLTAGE	YELLOW	5				Ir = 100μA
	GREEN	5				
PEAK WAVELENGTH	YELLOW		583			
	GREEN		565			
DOMINANT WAVELENGTH	YELLOW		585		nm	
	GREEN		569			
VIEWING ANGLE	YELLOW		65		Degree	If = 10mA
	GREEN		65			

LED COLOR = YELLOW / GREEN DIFFUSED		
ABSOLUTE MAXIMUM RATING AT 25 °C AMBIENT	YELLOW / GREEN	UNITS
POWER DISSIPATION	135	mW
DERATE LINEARLY FROM 50°C	0.5	mA/°C
CONTINUOUS FORWARD CURRENT	25	mA
PEAK FORWARD CURRENT ( 1/10 DUTY CYCLE, 0.1 μs PULSE WIDTH)	90	mA
REVERSE CURRENT	100	V
LEAD SOLDERING TEMPERATURE, 5 SEC., 1/16" FROM BODY	260°C FOR 5 SECONDS	°C
OPERATING TEMPERATURE	-20° TO +85	°C
STORAGE TEMPERATURE	-55 TO +100	°C



SECTION A-A




**RoHS Compliant 552-3544F**

Part Numbers with the "F" suffix ending are RoHS Compliant.  
 Example: 552-3544F  
 Packaging is marked with "RoHS Compliant" label or equivalent markings.  
 Parts can be wave soldered, dip soldered or hand soldered using typical lead-free soldering process with max 260°C temp. for 5 sec.

NOTES:

1. DIALIGHT PART NUMBER 552-3544F

THIS DRAWING AND THE CONTENTS HEREIN ARE CONFIDENTIAL AND THE SOLE PROPERTY OF DIALIGHT. REPRODUCTION OF THIS DRAWING OR CONSTRUCTION OF ANY PARTS WITHIN THIS DRAWING ARE FORBIDDEN WITHOUT THE WRITTEN CONSENT OF DIALIGHT.		
SCALE: DRAWING SCALE ALL DIM'S IN: INCHES (MM)	DRAWING NUMBER C-17353	REV A
TOLERANCES: UNLESS OTHERWISE SPECIFIED FRACTIONS: ±1/64 DECIMALS (.XX): ±.01 DECIMALS (.XXX): ±.005 DECIMALS (.XXXX): ±.0005 ANGLES: ±1°	TITLE 5MM BI-LEVEL CBI RoHS COMPLIANT	
FINISH:	MATERIAL	
FSCM 83330	 1501 ROUTE 34 SOUTH FARMINGDALE, NJ 07727	
SHEET 1 OF 1		FAMILY TABLE:

## X-ON Electronics

Largest Supplier of Electrical and Electronic Components

*Click to view similar products for [LED Circuit Board Indicators](#) category:*

*Click to view products by [Dialight](#) manufacturer:*

Other Similar products are found below :

[568-0701-841F](#) [LTL-4221NH129](#) [LTL-42DGNMHDP1](#) [HLMP1521101](#) [HLMP1523802F](#) [HLMP1700101F](#) [HLMP1700104F](#) [BHA-1564-G](#)  
[SMF-HM1530YD-305](#) [SSF-LXH409SYSUGW](#) [AM2520EHSGD](#) [HLMP1301104F](#) [HLMP1385101F](#) [HLMP1421101](#) [HLMP1503103F](#)  
[HLMP1503104F](#) [HLMP1700102F](#) [HLMP1700106F](#) [HLMP1700107F](#) [HLMP1790101F](#) [HLMP1790103F](#) [LTL-4211NHBP](#) [5390H3](#) [551-](#)  
[2802F](#) [552-0794-810F](#) [553-0222-812F](#) [HT3-BC-T](#) [564-0700-831F](#) [WP59BLGEW](#) [103-3101-1231-403](#) [5502407811F](#) [550-3007-810F](#) [551-](#)  
[3307MF](#) [552080-1](#) [573-2399-100F](#) [592-2020-302F](#) [5932-927-2701-3F](#) [SMF-HM1530SRD-509](#) [SSF-LXH100MID](#) [SSF-LXH2103SRSDRP](#)  
[SSF-LXH555USBW](#) [WP937SB/4YGW](#) [WP937EB2EGW](#) [551-0312-802F](#) [553-0110-802F](#) [561-5501-050F](#) [6202T3-5VLC](#) [LTL-307G08A-D](#)  
[CMD57164](#) [568-2231-313F](#)