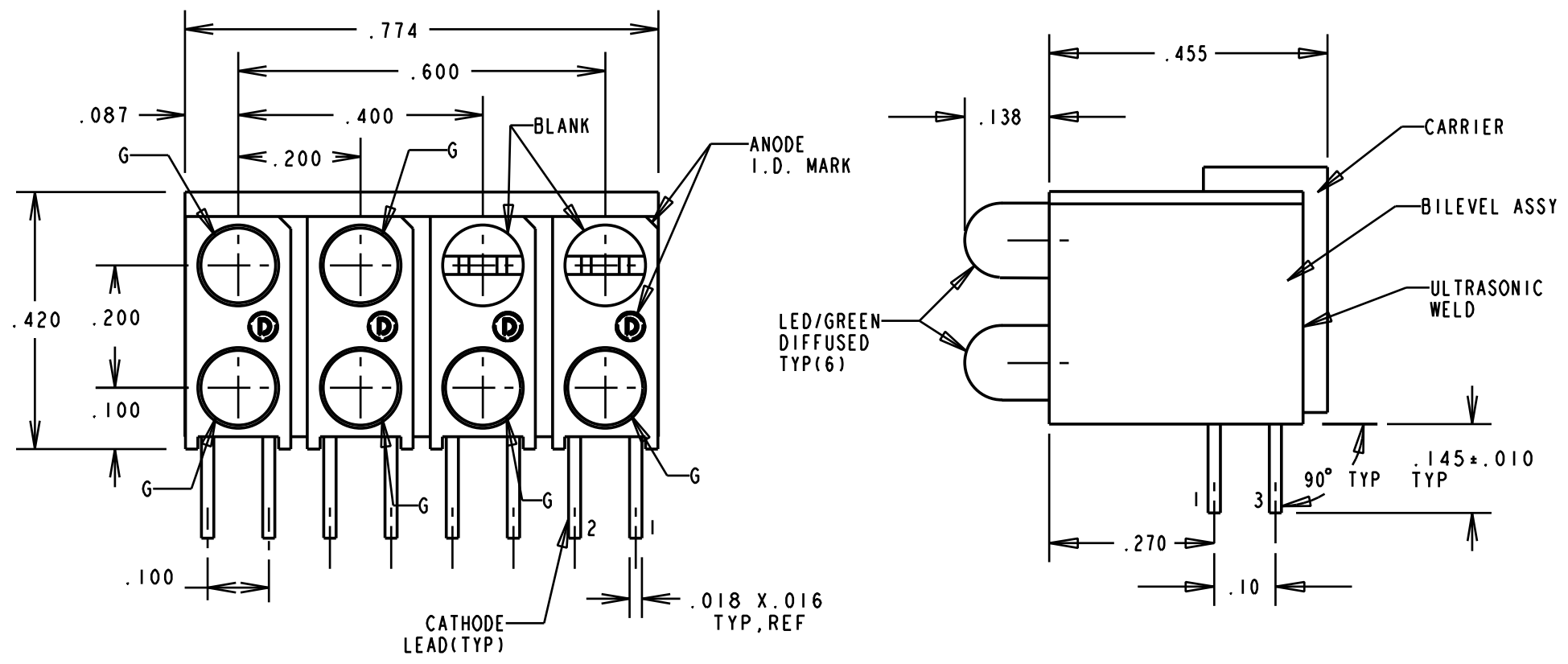


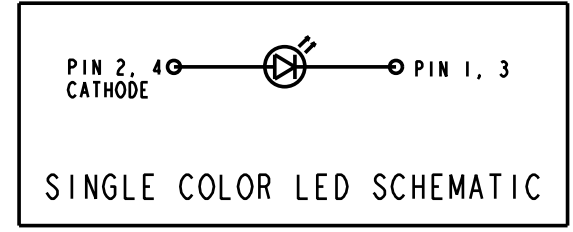
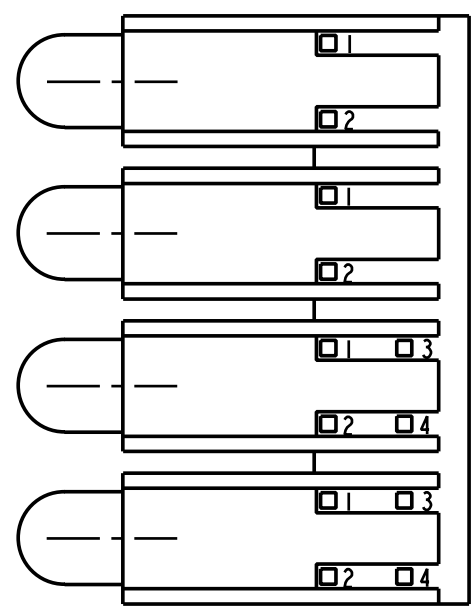
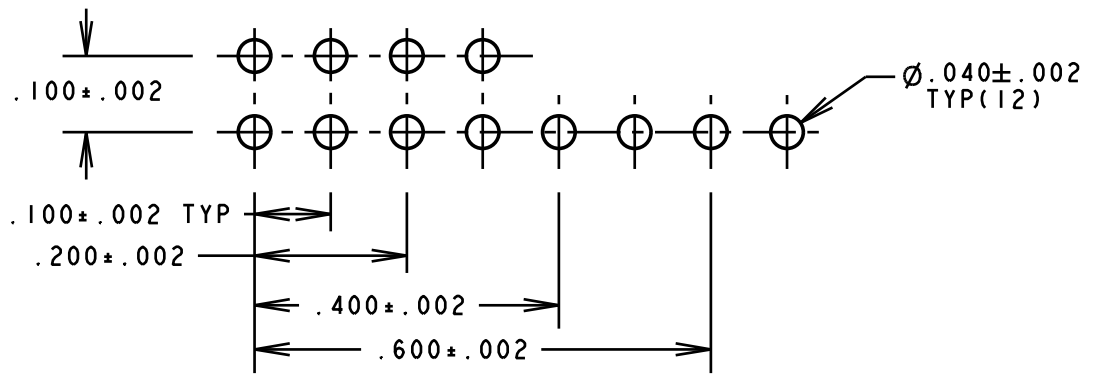
REV	ECN NO	REVISIONS	DRN	CKD	APP	DATE
A		NEW RELEASE	JMC			

NOTES:

- LEADS TO FIT INTO HOLE PATTERN GAUGE SPACED AS SHOWN.
- LED LEAD SPACING DIMENSIONS ARE MEASURED AT HOUSING EXIT.
- PIN NUMBER FOR REFERENCE ONLY. DESIGNATION NON-EXISTENT ON PART.
- PACKAGE PARTS IN TUBE WITH TWO(2) END PLUGS.
(29 PCS. PER TUBE)
- DIALIGHT PART NUMBER: 553-0008-837



ABSOLUTE MAXIMUM RATING AT 25 °C AMBIENT	UNITS	GREEN
POWER DISSIPATION	mW	100
CONTINUOUS FORWARD CURRENT	mA	30
DERATING LINEAR FROM 50 °C	mA/°C	0.40
PEAK FORWARD CURRENT(1/10 DUTY CYCLE, .01 ms PULSE WIDTH)	mA	120
REVERSE VOLTAGE	V	5
LEAD SOLDERING TEMPERATURE, 5 SEC., .063/1.60 FROM BODY	°C	260
OPERATING AND STORAGE TEMPERATURE	°C	-55 TO +100



OPERATING CHARACTERISTICS AT 25 °C AMBIENT					
CHARACTERISTICS	MIN	TYP	MAX	UNITS	TEST CONDITIONS
LUMINOUS INTENSITY	4.7	12.6		mc d	I _F = 10 mA
FORWARD VOLTAGE		2.1	2.8	V	I _F = 10 mA
REVERSE CURRENT			100	µA	V _R = 5 V
PEAK WAVELENGTH		565		nm	MEASURED AT PEAK
VIEWING ANGLE		60		DEGREE	
CAPACITANCE		35		pF	V _F = 0; f = 1MHz

THIS DRAWING AND THE CONTENTS HEREIN ARE CONFIDENTIAL AND THE SOLE PROPERTY OF DIALIGHT. REPRODUCTION OF THIS DRAWING OR CONSTRUCTION OF ANY PARTS WITHIN THIS DRAWING ARE FORBIDDEN WITHOUT THE WRITTEN CONSENT OF DIALIGHT.

SCALE: 4:1
ALL DIM'S IN: INCHES (MM)

TOLERANCES: UNLESS OTHERWISE SPECIFIED
FRACTIONS: ±1/64
DECIMALS (.XX): ±.02
DECIMALS (.XXX): ±.015
DECIMALS (.XXXX): ±.0005
ANGLES: ±3°

FINISH:

FSCM 83330

DRAWING NUMBER: C-17161
REV: A

TITLE: 3mm 2 X 4 BLOCK CBI

MATERIAL:

Dialight
1501 ROUTE 34 SOUTH
FARMINGDALE, NJ 07727

SHEET 1 OF 1 FAMILY TABLE:

RECOMMENDED P.C. BOARD HOLE PATTERN

SINGLE COLOR LED SCHEMATIC

X-ON Electronics

Largest Supplier of Electrical and Electronic Components

Click to view similar products for [LED Circuit Board Indicators](#) category:

Click to view products by [Dialight](#) manufacturer:

Other Similar products are found below :

[568-0701-841F](#) [LTL-4221NH129](#) [LTL-42DGNMHDP1](#) [HLMP1521101](#) [HLMP1523802F](#) [HLMP1700101F](#) [HLMP1700104F](#) [BHA-1564-G](#)
[SMF-HM1530YD-305](#) [SSF-LXH409SYSUGW](#) [AM2520EHSGD](#) [HLMP1301104F](#) [HLMP1385101F](#) [HLMP1421101](#) [HLMP1503103F](#)
[HLMP1503104F](#) [HLMP1700102F](#) [HLMP1700106F](#) [HLMP1700107F](#) [HLMP1790101F](#) [HLMP1790103F](#) [LTL-4211NHBP](#) [5390H3](#) [551-](#)
[2802F](#) [552-0794-810F](#) [553-0222-812F](#) [HT3-BC-T](#) [564-0700-831F](#) [WP59BLGEW](#) [103-3101-1231-403](#) [5502407811F](#) [550-3007-810F](#) [551-](#)
[3307MF](#) [552080-1](#) [573-2399-100F](#) [592-2020-302F](#) [5932-927-2701-3F](#) [SMF-HM1530SRD-509](#) [SSF-LXH100MID](#) [SSF-LXH2103SRSDRP](#)
[SSF-LXH555USBW](#) [WP937SB/4YGW](#) [WP937EB2EGW](#) [551-0312-802F](#) [553-0110-802F](#) [561-5501-050F](#) [6202T3-5VLC](#) [LTL-307G08A-D](#)
[CMD57164](#) [568-2231-313F](#)