

PART NUMBER	LED COLOR(DIFFUSED)		CUSTOMER P/N REF.
	POSITION 1	POSITION 2	
553-0122-801	GREEN	GREEN	4060002
553-0133-801	YELLOW	YELLOW	4060003
553-0123-801	GREEN	YELLOW	4060007
553-0112-801	RED	GREEN	4060004
553-0121-801	GREEN	RED	4060006
553-0132-802	YELLOW	GREEN	4060009
553-0111-801	RED	RED	4060001
553-0113-801	RED	YELLOW	4060005
553-0131-801	YELLOW	RED	4060008
553-0110-801	RED	BLANK	4060010
553-0120-801	GREEN	BLANK	4060011
553-0130-801	YELLOW	BLANK	4060012
553-0101-801	BLANK	RED	4060013
553-0102-801	BLANK	GREEN	4060014
553-0103-801	BLANK	YELLOW	4060015
553-0701-804	BLANK	RD/GRN BI-COLOR	4060027
553-0711-803	RD/GRN BI-COLOR	RD/GRN BI-COLOR	4060026
553-0712-806	RD/GRN BI-COLOR	GREEN	4060029
553-0713-807	RD/GRN BI-COLOR	YELLOW	4060030
553-0721-805	GREEN	RD/GRN BI-COLOR	4060028
553-0731-808	YELLOW	RD/GRN BI-COLOR	4060031
553-0710-810	RD/GRN BI-COLOR	BLANK	4060023
553-0711-811	RED	RD/GRN BI-COLOR	4060024
553-0711-814	RD/GRN BI-COLOR	RED	4060020

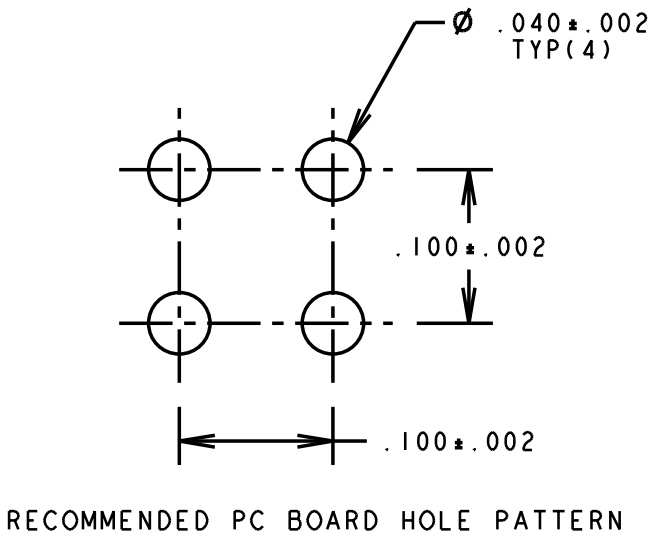
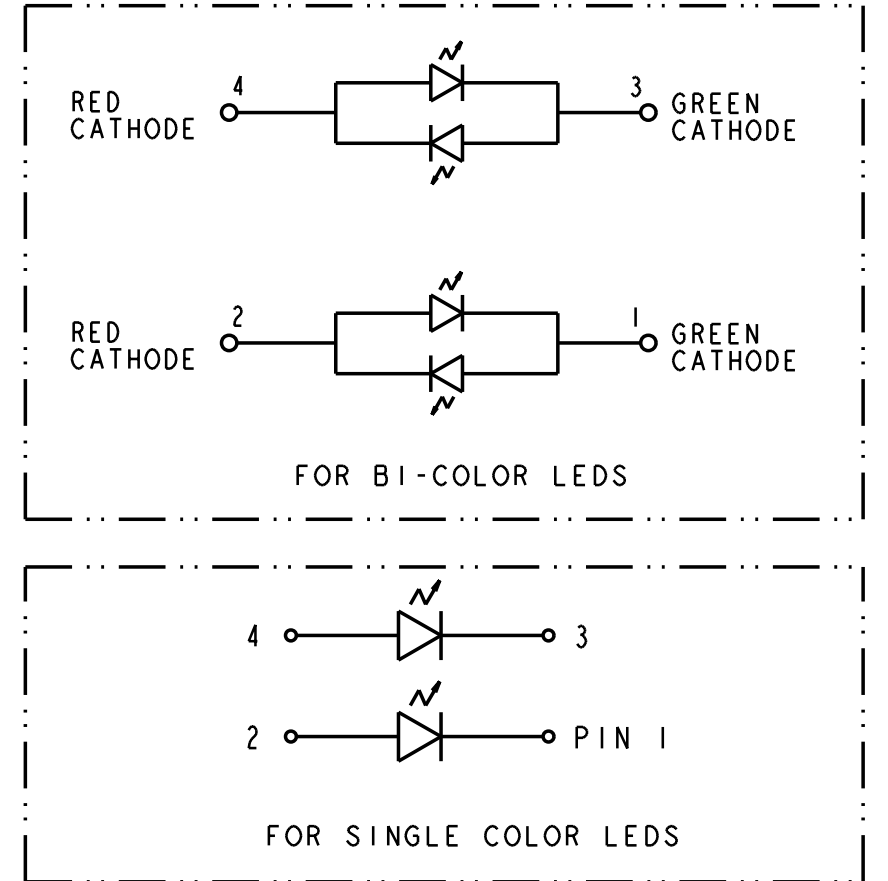
LED ELECTRO-OPTICAL CHARACTERISTICS (SINGLE COLOR LEDS)

PARAMETER	RED	YELLOW	GREEN	UNITS	TEST COND.	SPECS
POWER DISSIPATION	100	60	100	mW	N/A	ABSOLUTE MAXIMUM RATINGS AT T _A = 25°C
FORWARD DC CURRENT	30	20	30	mA		
OPERATING TEMPERATURE	-55° TO +100°		-55° TO +100°	°C		
STORAGE TEMPERATURE	-55° TO +100°			°C		
LEAD SOLDERING TEMP. (1/16" FROM CASE)	260°C FOR 5 SECONDS			°C		
FORWARD VOLTAGE	TYP	2.0	2.1	2.1	V	OPERATING CHAR. AT T _A = 25°C
	MAX	2.8	2.8	2.8		
REVERSE BREAKDOWN VOLTAGE	5 MIN.			V	I _R = 100 uA	
PEAK WAVELENGTH	635	585	565	nm	MEAS. AT PEAK	
LUMINOUS INTENSITY	MIN	7.4	7.4	4.7	mc d	I _F = 10 mA

REV.	ECN NO.	REVISIONS	DRN.	CKD.	APP.	DATE
F		ADDED P/N 553-0711-814.	YY		N.O.	7-12-94
G		ADDED CUSTOMER P/N REF. COLUMN	YY		N.O.	9-30-94
H		REVISED RED LED SPECS; ADDED NOTE 5; REVISED NOTE 4.	TC	D.C.	N.O.	10-30-98
J		NOTE 4 LITE-ON LTL-4231N WAS HLMP 1585 AND REVISED GREEN LED SPECS.	TC	D.C.	N.O.	3-18-99
K		REVISED YELLOW LED SPECS.	TC			

BI-COLOR LEDS OPERATING CHARACTERISTICS AT T_A = 25°C

SYMBOL	PARAMETER	COLOR	MIN	TYP	MAX	UNITS	TEST COND.
V _F	FORWARD VOLTAGE	GaAlAs RED		1.8	2.4	V	I _F = 20 mA
		GREEN		2.1	2.8		
λ _{PEAK}	PEAK WAVELENGTH	GaAlAs RED		660		nm	
		GREEN		565			
I _V	LUMINOUS INTENSITY	GaAlAs RED	3.7	12.6		mc d	I _F = 20 mA
		GREEN	1.1	3.7			



- NOTES:
- LEADS TO FIT INTO HOLES SPACED AS PER PATTERN.
 - PACKAGE 100 PC'S PER 4" X 5" ANTISTATIC AUTOBAG WITH P/N, QTY, DATE CODE AND MFG PRINTED ON BAG. PLACE 5 BAGS OF 100 PC'S EACH INTO AN APPROPRIATE SIZE ANTISTATIC ZIP LOCK BAG WITH APPROPRIATE BAR CODE LABEL. LABEL MUST CONTAIN THE FOLLOWING IN BAR CODE & HUMAN READABLE FORMAT: CUSTOMER P/N; DIALIGHT P/N; P.O. NUMBER; QTY PER BAG; DATE CODE. THE BAR CODE LABEL TO BE APPLIED TO BAG AND INNER CARTON. REFERENCE: CUSTOMER SPEC.: QP012.
 - PIN NUMBERS FOR REFERENCE ONLY, DESIGNATION NON-EXISTANT ON PART.
 - DIALIGHT LED GREEN DIFFUSED = LITE-ON LTL-4231N
 RED DIFFUSED = LITE-ON LTL-4221N
 YELLOW DIFFUSED = LITE-ON LTL-4251N.
 RED/GREEN BI-COLOR = LITE-ON LTL-14AWJ
 - DIALIGHT PART NUMBER: 553-01XX-801, -802
 553-07XX-803 THRU -808
 -810, -811, -814

THIS DRAWING AND THE CONTENTS HEREIN ARE CONFIDENTIAL AND THE SOLE PROPERTY OF DIALIGHT. REPRODUCTION OF THIS DRAWING OR CONSTRUCTION OF ANY PARTS WITHIN THIS DRAWING ARE FORBIDDEN WITHOUT THE WRITTEN CONSENT OF DIALIGHT.

SCALE 8:1

DRAWING NUMBER: C-15669

REV: K

TOLERANCES: UNLESS OTHERWISE SPECIFIED

FRACTIONS: ±1/64

DECIMALS (.XX): ±.020

DECIMALS (.XXX): ±.015

ANGLES: ±1°

FINISH:

FSCM 83330

SHEET OF

FAMILY TABLES:

Dialight 1913 ATLANTIC AVE. MANASQUAN, N. J. 08736

X-ON Electronics

Largest Supplier of Electrical and Electronic Components

Click to view similar products for [LED Circuit Board Indicators](#) category:

Click to view products by [Dialight](#) manufacturer:

Other Similar products are found below :

[568-0701-841F](#) [LTL-4221NH129](#) [LTL-42DGNMHDP1](#) [HLMP1521101](#) [HLMP1523802F](#) [HLMP1700101F](#) [HLMP1700104F](#) [BHA-1564-G](#)
[SMF-HM1530YD-305](#) [SSF-LXH409SYSUGW](#) [AM2520EHSGD](#) [HLMP1301104F](#) [HLMP1385101F](#) [HLMP1421101](#) [HLMP1503103F](#)
[HLMP1503104F](#) [HLMP1700102F](#) [HLMP1700106F](#) [HLMP1700107F](#) [HLMP1790101F](#) [HLMP1790103F](#) [LTL-4211NHBP](#) [5390H3](#) [551-](#)
[2802F](#) [552-0794-810F](#) [553-0222-812F](#) [HT3-BC-T](#) [564-0700-831F](#) [WP59BLGEW](#) [103-3101-1231-403](#) [5502407811F](#) [550-3007-810F](#) [551-](#)
[3307MF](#) [552080-1](#) [573-2399-100F](#) [592-2020-302F](#) [5932-927-2701-3F](#) [SMF-HM1530SRD-509](#) [SSF-LXH100MID](#) [SSF-LXH2103SRSDRP](#)
[SSF-LXH555USBW](#) [WP937SB/4YGW](#) [WP937EB2EGW](#) [551-0312-802F](#) [553-0110-802F](#) [561-5501-050F](#) [6202T3-5VLC](#) [LTL-307G08A-D](#)
[CMD57164](#) [568-2231-313F](#)