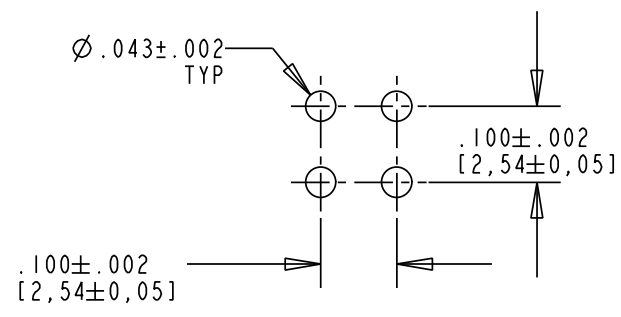
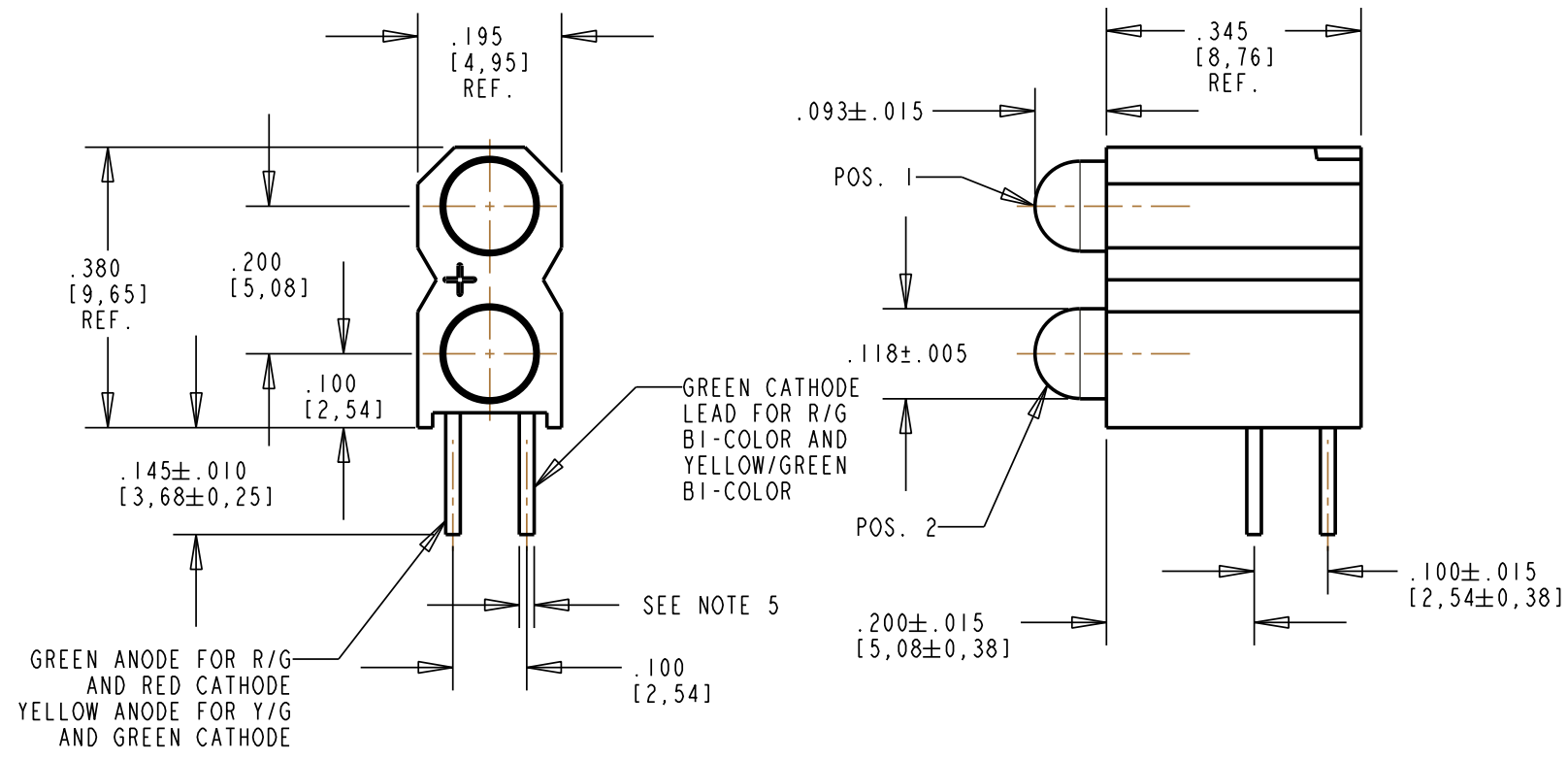


PART NUMBER	LED COLOR		REVISIONS			
	POSITION 1	POSITION 2	REV	ECN	DRN	DATE
553-0711-310F	RED/GREEN	RED/GREEN	A	—	TWC	4-22-05
553-0744-310F	YELLOW/GREEN	YELLOW/GREEN	A	—	TWC	4-22-05

REV	ECN NO	REVISIONS	DRN	CKD	APP	DATE
A	—	NEW RELEASE	TWC			



RECOMMENDED HOLE PATTERN GAUGE

LED COLOR = GRN/YEL BI-COLOR		LED COLOR = RED/GRN BI-COLOR				
OPERATING CHARACTERISTICS AT 25°C AMBIENT						
CHARACTERISTICS	COLOR	MIN	TYP	MAX	UNITS	TEST CONDITIONS
LUMINOUS INTENSITY	GREEN	2.5	6.3		mcd	$I_f = 10$ mA
	YELLOW	2.5	4.3			
	RED	2.5	4.7			
	GREEN	3.7	10.0			
FORWARD VOLTAGE	GREEN		2.1	2.8	V	
	YELLOW		2.1	2.8		
	RED		2.0	2.8		
	GREEN		2.1	2.8		
PEAK WAVELENGTH	GREEN		565		nm	$I_f = 20$ mA
	YELLOW		585			
	RED		635			
	GREEN		565			
VIEWING ANGLE	GREEN		80		DEGREES	
	YELLOW		80			
	RED		60			
	GREEN		60			

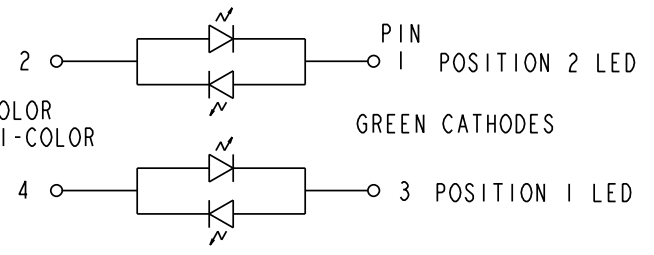
ABSOLUTE MAXIMUM RATINGS AT 25°C AMBIENT

	GREEN	RED	YELLOW	UNITS
POWER DISSIPATION	100	100	60	mW
DERATE LINEARLY FROM 50°C	0.4	0.4	0.25	mA/°C
CONTINUOUS FORWARD CURRENT	30	30	20	mA
PEAK FORWARD CURRENT (1/10 DUTY CYCLE, 10 ms PULSE WIDTH)	120	120		mA
PEAK FORWARD CURRENT (1/10 DUTY CYCLE, 0.1 ms PULSE WIDTH)	120		80	mA
LEAD SOLDERING TEMPERATURE, 6 SEC., 1/16" FROM BASE	260	260		°C
LEAD SOLDERING TEMPERATURE, 5 SEC., 1/16" FROM BASE	260		260	°C
OPERATING TEMPERATURE	-55 TO +100			°C
STORAGE TEMPERATURE	-55 TO +100			°C

- NOTES:
- LEADS TO FIT INTO HOLES SPACED AS PER HOLE PATTERN.
 - LED LEAD DIMENSIONS SHOWN ARE MEASURED AT HOUSING EXIT.
 - PIN NUMBERS FOR REFERENCE ONLY, DESIGNATION NON-EXISTENT ON PARTS.
 - DIALIGHT PART NUMBER: 553-07XX-310F.
 - PACKAGE PARTS IN ANTI-STATIC BAGS. 50 PC'S PER BAG. APPLY LABEL WITH DIALIGHT P/N, DATE CODE, QTY/BAG.
 - THIS PRODUCT IS Pb FREE. IT IS IN COMPLIANCE WITH THE EUROPEAN UNION'S ROHS DIRECTIVE. EACH BAG IS MARKED WITH THE Pb FREE LABEL P/N 9100-117-0797-99, OR EQUIVALENT.



RED CATHODES FOR R/G BI-COLOR
YELLOW CATHODES FOR Y/G BI-COLOR



LED SCHEMATIC REF.

THIS DRAWING AND THE CONTENTS HEREIN ARE CONFIDENTIAL AND THE SOLE PROPERTY OF DIALIGHT. REPRODUCTION OF THIS DRAWING OR CONSTRUCTION OF ANY PARTS WITHIN THIS DRAWING ARE FORBIDDEN WITHOUT THE WRITTEN CONSENT OF DIALIGHT.

SCALE: 4.000 ALL DIM'S IN: INCHES (MM)	DRAWING NUMBER C-17228	REV A
TOLERANCES: UNLESS OTHERWISE SPECIFIED FRACTIONS: ±1/64 DECIMALS (.XX): ±.01 DECIMALS (.XXX): ±.005 DECIMALS (.XXXX): ±.0005 ANGLES: ±1°	TITLE 3mm BI-LEVEL LED CBI	MATERIAL
FINISH:		
FSCM 83330	1501 ROUTE 34 SOUTH FARMINGDALE, NJ 07727	
SHEET 1 OF 1 FAMILY TABLE:		

X-ON Electronics

Largest Supplier of Electrical and Electronic Components

Click to view similar products for [LED Circuit Board Indicators](#) category:

Click to view products by [Dialight](#) manufacturer:

Other Similar products are found below :

[568-0701-841F](#) [LTL-4221NH129](#) [LTL-42DGNMHDP1](#) [HLMP1521101](#) [HLMP1523802F](#) [HLMP1700101F](#) [HLMP1700104F](#) [BHA-1564-G](#)
[SMF-HM1530YD-305](#) [SSF-LXH409SYSUGW](#) [AM2520EHSGD](#) [HLMP1301104F](#) [HLMP1385101F](#) [HLMP1421101](#) [HLMP1503103F](#)
[HLMP1503104F](#) [HLMP1700102F](#) [HLMP1700106F](#) [HLMP1700107F](#) [HLMP1790101F](#) [HLMP1790103F](#) [LTL-4211NHBP](#) [5390H3](#) [551-](#)
[2802F](#) [552-0794-810F](#) [553-0222-812F](#) [HT3-BC-T](#) [564-0700-831F](#) [WP59BLGEW](#) [103-3101-1231-403](#) [5502407811F](#) [550-3007-810F](#) [551-](#)
[3307MF](#) [552080-1](#) [573-2399-100F](#) [592-2020-302F](#) [5932-927-2701-3F](#) [SMF-HM1530SRD-509](#) [SSF-LXH100MID](#) [SSF-LXH2103SRSDRP](#)
[SSF-LXH555USBW](#) [WP937SB/4YGW](#) [WP937EB2EGW](#) [551-0312-802F](#) [553-0110-802F](#) [561-5501-050F](#) [6202T3-5VLC](#) [LTL-307G08A-D](#)
[CMD57164](#) [568-2231-313F](#)