

REV	ECN NO	REVISIONS	DRN	CKD	APP	DATE
A		NEW RELEASE	ALV			

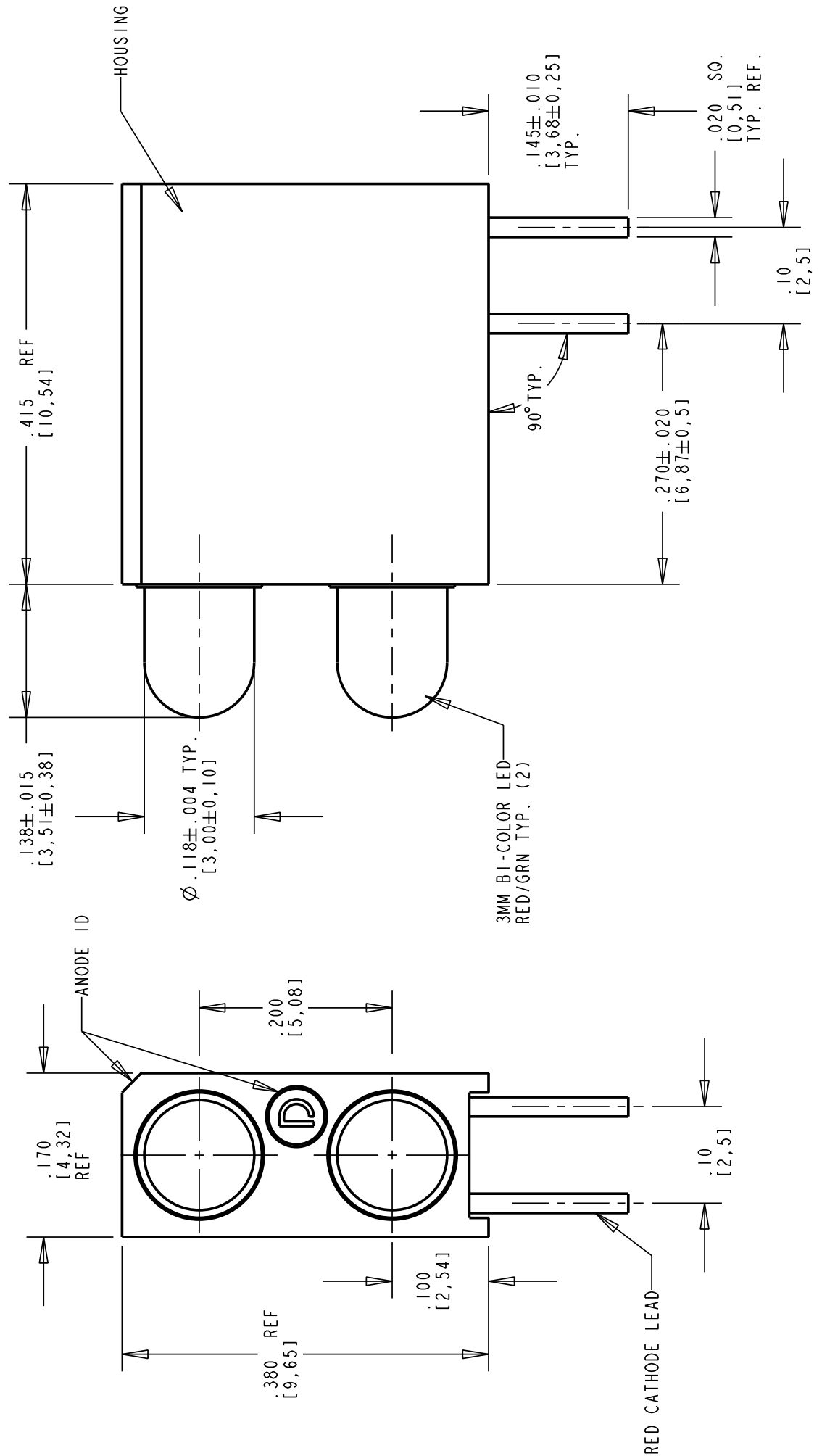
PART NUMBER	LED COLOR	
	POSITION 1	POSITION 2
553-0711-200F	RED/GREEN	RED/GREEN
553-0741-200F	YELLOW/GREEN	RED/GREEN
553-0744-200F	YELLOW/GREEN	YELLOW/GREEN

NOTES:

- MILLIMETER DIMENSIONS SHOWN FOR REFERENCE ONLY.
- LEADS TO FIT INTO HOLES SPACED AS PER PATTERN.
- PIN NUMBER FOR REFERENCE ONLY, DESIGNATION NON-EXISTENT ON PART.
- DIALIGHT PART NUMBERS: 553-0711-200F, 553-0741-200F & 553-744-200F.
- THIS ASSEMBLY CONTAINS ELECTROSTATIC DISCHARGE SENSITIVE DEVICES (ESDS). MAINTAIN ALL PRECAUTIONARY MEASURES DURING ASSEMBLY, HANDLING AND STORAGE IN ACCORDANCE WITH IPC-A-610.

RoHS Compliant 553-07XX-200F Thru hole Bi-level CBI

Part Numbers with the "F" suffix ending are RoHS Compliant.
 Example: 553-0711-200F
 Packaging is marked with "RoHS Compliant" label or equivalent markings.
 Parts can be wave soldered, dip soldered or hand soldered using typical lead-free soldering process with max 260°C temp. for 5 sec.



YELLOW/GREEN LED

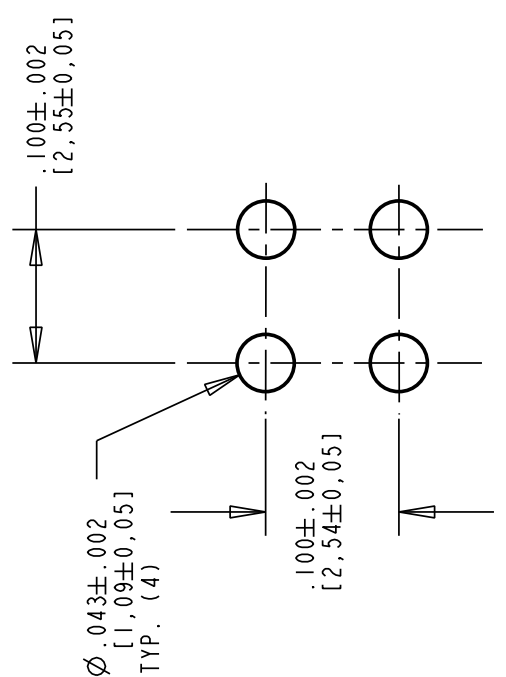
ABSOLUTE MAXIMUM RATINGS AT 25 °C AMBIENT

POWER DISSIPATION	GREEN	YELLOW	UNITS
DERATE LINEARLY FROM 50 °C	100	60	mW
CONTINUOUS FORWARD CURRENT	0.4	0.25	mA/ °C
PEAK FORWARD CURRENT (1/10 DUTY CYCLE, 0.1 ms PULSE WIDTH)	30	20	mA
LEAD SOLDERING TEMPERATURE, 5 SEC., 1/16" FROM BODY	120	80	°C
OPERATING TEMPERATURE	-55 TO +100		°C
STORAGE TEMPERATURE	-55 TO +100		°C

OPERATING CHARACTERISTICS AT 25 °C AMBIENT

LED CHARACTERISTICS	COLOR	MIN.	TYP.	MAX.	UNITS	TEST CONDITIONS
LUMINOUS INTENSITY	GREEN YELLOW	2.5 2.5	6.3 4.3		mcd	I _f = 10 mA
FORWARD VOLTAGE	GREEN YELLOW		2.1	2.8	V	I _f = 20 mA
PEAK WAVELENGTH (λ _p)	GREEN YELLOW		565 585		nm	
DOMINANT WAVELENGTH (λ _d)	GREEN YELLOW (Y3) YELLOW (Y2)		569 585 583		nm	MEASURED ON EXELTRON 2001
VIEWING ANGLE (2 Θ 1/2)	GREEN YELLOW		80		DEGREES	
CAPACITANCE	GREEN YELLOW		35 15		pF	V _r = 0 V, f = 1 MHz

RECOMMENDED PC BOARD HOLE PATTERN



RED/GREEN LED

ABSOLUTE MAXIMUM RATINGS AT 25 °C AMBIENT

POWER DISSIPATION	100 mW
DERATE LINEARLY FROM 50 °C	.40 mA/°C
CONTINUOUS FORWARD CURRENT	30 mA
PEAK FORWARD CURRENT (10 ms PULSE WIDTH, 1/10 DUTY)	120 mA
PEAK REVERSE VOLTAGE	5 V
LEAD SOLDERING TEMPERATURE, 6 SEC., 1/16" FROM BASE	260 °C
OPERATING TEMPERATURE	-55 °C TO +100 °C
STORAGE TEMPERATURE	-55 °C TO +100 °C

OPERATING CHARACTERISTICS AT 25 °C AMBIENT

LED CHARACTERISTICS	COLOR	MIN.	TYP.	MAX.	UNITS	TEST CONDITIONS
LUMINOUS INTENSITY	GREEN RED	3.7 2.5	10.0 4.7		mcd	I _f = 10 mA
FORWARD VOLTAGE	GREEN RED		2.1 2.0	2.8	V	I _f = 20 mA
REVERSE CURRENT	GREEN RED			100	µA	V _r = 5 V
PEAK WAVELENGTH	GREEN RED		565 635		nm	I _f = 20 mA
2 X 1/2-INTENSITY ANGLE	GREEN RED		60		DEGREES	I _f = 20 mA
CAPACITANCE	GREEN RED		35 20		pF	V _r = 0 V, f = 1 MHz



ATTENTION:
OBSERVE PRECAUTIONS FOR
HANDLING ELECTROSTATIC
SENSITIVE DEVICES

THIS DRAWING AND THE CONTENTS HEREIN ARE CONFIDENTIAL AND THE SOLE PROPERTY OF DIALIGHT. REPRODUCTION OF THIS DRAWING OR CONSTRUCTION OF ANY PARTS WITHIN THIS DRAWING ARE FORBIDDEN WITHOUT THE WRITTEN CONSENT OF DIALIGHT.

SCALE: 5.000
 ALL DIM'S IN: INCHES (MM)
 TOLERANCES: UNLESS OTHERWISE SPECIFIED
 FRACTIONS: ±1/64
 DECIMALS (.XX): ±.01
 DECIMALS (.XXX): ±.005
 DECIMALS (.XXXX): ±.0005
 ANGLES: ±1°
 FINISH:

DRAWING NUMBER: C-17530
 REV: A

TITLE: 3MM BI-LEVEL CBI WITH BI-COLOR LED
 MATERIAL: RoHS COMPLIANT

FSCM: 83330
 SHEET 1 OF 1 FAMILY TABLES:

Dialight
 1501 ROUTE 34 SOUTH
 FARMINGDALE, NJ 07127

X-ON Electronics

Largest Supplier of Electrical and Electronic Components

Click to view similar products for [LED Circuit Board Indicators](#) category:

Click to view products by [Dialight](#) manufacturer:

Other Similar products are found below :

[568-0701-841F](#) [LTL-4221NH129](#) [LTL-42DGNMHDP1](#) [HLMP1521101](#) [HLMP1523802F](#) [HLMP1700101F](#) [HLMP1700104F](#) [BHA-1564-G](#)
[SMF-HM1530YD-305](#) [SSF-LXH409SYSUGW](#) [AM2520EHSGD](#) [HLMP1301104F](#) [HLMP1385101F](#) [HLMP1421101](#) [HLMP1503103F](#)
[HLMP1503104F](#) [HLMP1700102F](#) [HLMP1700106F](#) [HLMP1700107F](#) [HLMP1790101F](#) [HLMP1790103F](#) [LTL-4211NHBP](#) [5390H3](#) [551-](#)
[2802F](#) [552-0794-810F](#) [553-0222-812F](#) [HT3-BC-T](#) [564-0700-831F](#) [WP59BLGEW](#) [103-3101-1231-403](#) [5502407811F](#) [550-3007-810F](#) [551-](#)
[3307MF](#) [552080-1](#) [573-2399-100F](#) [592-2020-302F](#) [5932-927-2701-3F](#) [SMF-HM1530SRD-509](#) [SSF-LXH100MID](#) [SSF-LXH2103SRSDRP](#)
[SSF-LXH555USBW](#) [WP937SB/4YGW](#) [WP937EB2EGW](#) [551-0312-802F](#) [553-0110-802F](#) [561-5501-050F](#) [6202T3-5VLC](#) [LTL-307G08A-D](#)
[CMD57164](#) [568-2231-313F](#)