



Certifications & Ratings

- UL 1598 (E156890)
- IP66
- NEMA 4X
- RoHS Compliant w/6C exemption
- IK07

Application

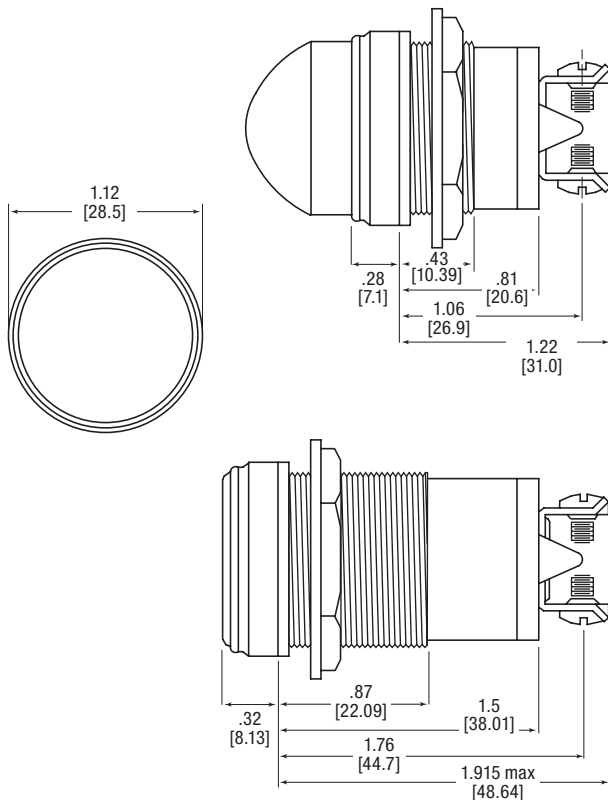
The 556 Series LED Panel Mount Indicators incorporate both InGaN and AlInGaP technologies to offer maximum light output. This is a highly durable package, designed to withstand outdoor applications susceptible to rain, dust and sunlight:

- Instrument panels
- Safety applications
- Transportation: rail, bus, airline
- Vending, gaming
- Lane control
- Display lighting

... and many more!

Dimensions

inches [mm]



Mechanical information

- Mounting Hole Size:** 1.0" (25.4 mm)
Max Panel Thickness: Flat: 0.600" (15.24 mm)
 Dome: 0.187" (4.27 mm)
Mounting Torque: 40 in-lbs

Specifications

- Voltage Options:** 12 to 125 VDC, and 125, 230 VAC (no resistor required)
Operating Temp: -30 °C to +85 °C (-22 °F to +185 °F)
Storage Temp: -40 °C to +100 °C (-40 °F to +212 °F)
Electrical Connection: 6-32 screw terminals
Housing: Brass—White or Black Nickel Plated
Terminals: Brass — Hot solder dip per Mil-F-14072D, M258, Type II
Lens Material: Transparent Polycarbonate (UL 94V-0)
Lock Washer: Phosphor Bronze — White or Black Nickel Plated
Nut: Brass—White or Black Nickel Plated



Ordering Information
556 Series — Standard, Flat Lens

Part Number Guide 556 Series

RoHS Compliant

5	5	6	-	X	X	X	X	-	X	0	4	F
Lens Style			Color				Voltage		Plating			
Flat	1	○ White	0	0	3	12VDC						
Domed	3	● Red	5	0	4	24VDC					2 Black	
		● Green	6	0	6	72VDC					3 White	
		● Cyan	6	8	7	125VDC*						
		● Yellow	7	0	5	125VAC*						
		● Blue	8	0	9	230VDC*						
		● Orange	9	0								

*white nickel only

Flat Lens

White Nickel	Black Nickel	Color	Voltage	Typ Current (mA)	Typical Intensity (mcd)
556-1003-304F	556-1003-204F	○ White	12 VDC	60	61,000
556-1503-304F	556-1503-204F	● Red		95	22,000
556-1603-304F	556-1603-204F	● Green		60	41,500
556-1683-304F	556-1683-204F	● Cyan		60	37,000
556-1703-304F	556-1703-204F	● Yellow		95	13,500
556-1803-304F	556-1803-204F	● Blue		60	13,000
556-1903-304F	556-1903-204F	● Orange		95	11,500
556-1004-304F	556-1004-204F	○ White		24 VDC	32
556-1504-304F	556-1504-204F	● Red	46		22,000
556-1604-304F	556-1604-204F	● Green	32		41,500
556-1684-304F	556-1684-204F	● Cyan	32		37,000
556-1704-304F	556-1704-204F	● Yellow	46		13,500
556-1804-304F	556-1804-204F	● Blue	32		13,000
556-1904-304F	556-1904-204F	● Orange	46		11,500
556-1508-304F	556-1508-204F	● Red	37.5 VDC		20
556-1608-304F	556-1608-204F	● Green		16	54,000
556-1708-304F	556-1708-204F	● Yellow		20	12,750
556-1506-304F	556-1506-204F	● Red	72 VDC	18.5	15,000
556-1606-304F	556-1606-204F	● Green		16	45,500
556-1706-304F	556-1706-204F	● Yellow		20	9,000
556-1806-304F	556-1806-204F	● Blue	18.5	15,000	
556-1007-304F	—	○ White	125 VDC	10.5	36,000
556-1507-304F	—	● Red			8,000
556-1607-304F	—	● Green		10	27,000
556-1707-304F	—	● Yellow			5,750
556-1005-304F	—	○ White	125 VAC	11	35,000
556-1505-304F	—	● Red		10.5	8,000
556-1605-304F	—	● Green		9.5	29,000
556-1685-304F	—	● Cyan		9.5	24,750
556-1705-304F	—	● Yellow		10.5	5,750
556-1805-304F	—	● Blue		9.5	7,750
556-1905-304F	—	● Orange		10.5	6,000
556-1009-304F	—	○ White	230 VAC	6	35,000
556-1509-304F	—	● Red			8,000
556-1609-304F	—	● Green			29,000
556-1709-304F	—	● Yellow		7	5,750
556-1809-304F	—	● Blue			7,750
556-1909-304F	—	● Orange			6,000



Ordering Information

556 Series — Standard, Domed Lens

Domed Lens

White Nickel	Black Nickel	Color	Voltage	Typ Current (mA)	Typical Intensity (mcd)
556-3003-304F	556-3003-204F	○ White	12 VDC	60	17,000
556-3503-304F	556-3503-204F	● Red		95	14,000
556-3603-304F	556-3603-204F	● Green		60	14,000
556-3683-304F	556-3683-204F	● Cyan		60	11,500
556-3703-304F	556-3703-204F	● Yellow		95	4,000
556-3803-304F	556-3803-204F	● Blue		60	12,000
556-3903-304F	556-3903-204F	● Orange		95	3,500
556-3004-304F	556-3004-204F	○ White		24 VDC	32
556-3504-304F	556-3504-204F	● Red	46		14,000
556-3604-304F	556-3604-204F	● Green	32		14,000
556-3684-304F	556-3684-204F	● Cyan	32		11,500
556-3704-304F	556-3704-204F	● Yellow	46		4,000
556-3804-304F	556-3804-204F	● Blue	32		12,000
556-3904-304F	556-3904-204F	● Orange	46		3,500
556-3508-304F	556-3508-204F	● Red	37.5 VDC		20
556-3608-304F	556-3608-204F	● Green		16	15,750
556-3708-304F	556-3708-204F	● Yellow		20	3,250
556-3506-304F	556-3506-204F	● Red	72 VDC	18.5	4,200
556-3606-304F	556-3606-204F	● Green		16	14,250
556-3706-304F	556-3706-204F	● Yellow		20	2,600
556-3806-304F	556-3806-204F	● Blue		18.5	4,500
556-3007-304F	—	○ White	125 VDC	10.5	10,250
556-3507-304F	—	● Red			2,500
556-3607-304F	—	● Green		10	8,250
556-3707-304F	—	● Yellow			1,500
556-3005-304F	—	○ White	125 VAC	11	10,250
556-3505-304F	—	● Red		10.5	2,500
556-3605-304F	—	● Green		9.5	9,500
556-3685-304F	—	● Cyan		9.5	6,500
556-3705-304F	—	● Yellow		10.5	1,750
556-3805-304F	—	● Blue		9.5	3,000
556-3905-304F	—	● Orange		10.5	1,750
556-3009-304F	—	○ White		230 VAC	6
556-3509-304F	—	● Red			2,500
556-3609-304F	—	● Green			9,500
556-3709-304F	—	● Yellow	7		1,750
556-3809-304F	—	● Blue			3,000
556-3909-304F	—	● Orange			1,750

Dialight reserves the right to make changes at any time in order to supply the best product possible. The most current version of this document will always be available at: www.dialightsignalsandcomponents.com

Warranty Statement: Except for the warranty expressly provided for [herein/above/below], Dialight disclaims any and all other warranties, express or implied, including, without limitation, any warranties of merchantability, fitness for a particular purpose, title, and noninfringement.

X-ON Electronics

Largest Supplier of Electrical and Electronic Components

Click to view similar products for [LED Panel Mount Indicators](#) category:

Click to view products by [Dialight](#) manufacturer:

Other Similar products are found below :

[607-1312-310F](#) [607-3232-140F](#) [6091M1-24V](#) [6091M5-24V](#) [6091M7-24V](#) [821-0331-503](#) [FL2870C8R](#) [FL2950WL7B](#) [FL589WL8R](#)
[Q6P3BXXB12E](#) [H8630FBBA3](#) [MPC5ADW6.0](#) [DX1091GN](#) [NL177WL3G](#) [NL276C3G](#) [NL2950BWL3G](#) [NL2950CWL2R](#) [NL589WL2R](#)
[NL67C3G](#) [NL67C3R](#) [2191L1-12V](#) [PB22SIOL0RG](#) [PB22SPPM41R](#) [PB22SPPM61R](#) [LE177C5B](#) [LH1048BSWL3702](#) [LH1048BWL3702](#)
[LH382A](#) [LHM62B](#) [SSI-LXH387USBD-150](#) [SSI-LXH9ZIC40587](#) [SSP-LXS110818BA](#) [FL2950BWL7R](#) [FL2950WL7R](#) [FL2951WL8G](#)
[FL2951WL8R](#) [FL589C7R](#) [FL67C7R](#) [FL67WL8G](#) [2191QU7-24V](#) [2191U1-12V](#) [2191U5-12V](#) [2191U5-6V](#) [2191U7-12V](#) [249-4167-3734-504F](#) [Q6P5BXXG02E](#) [3990A7](#) [5110F3-12V](#) [MPC5BCW18.0](#) [556-1237-801F](#)