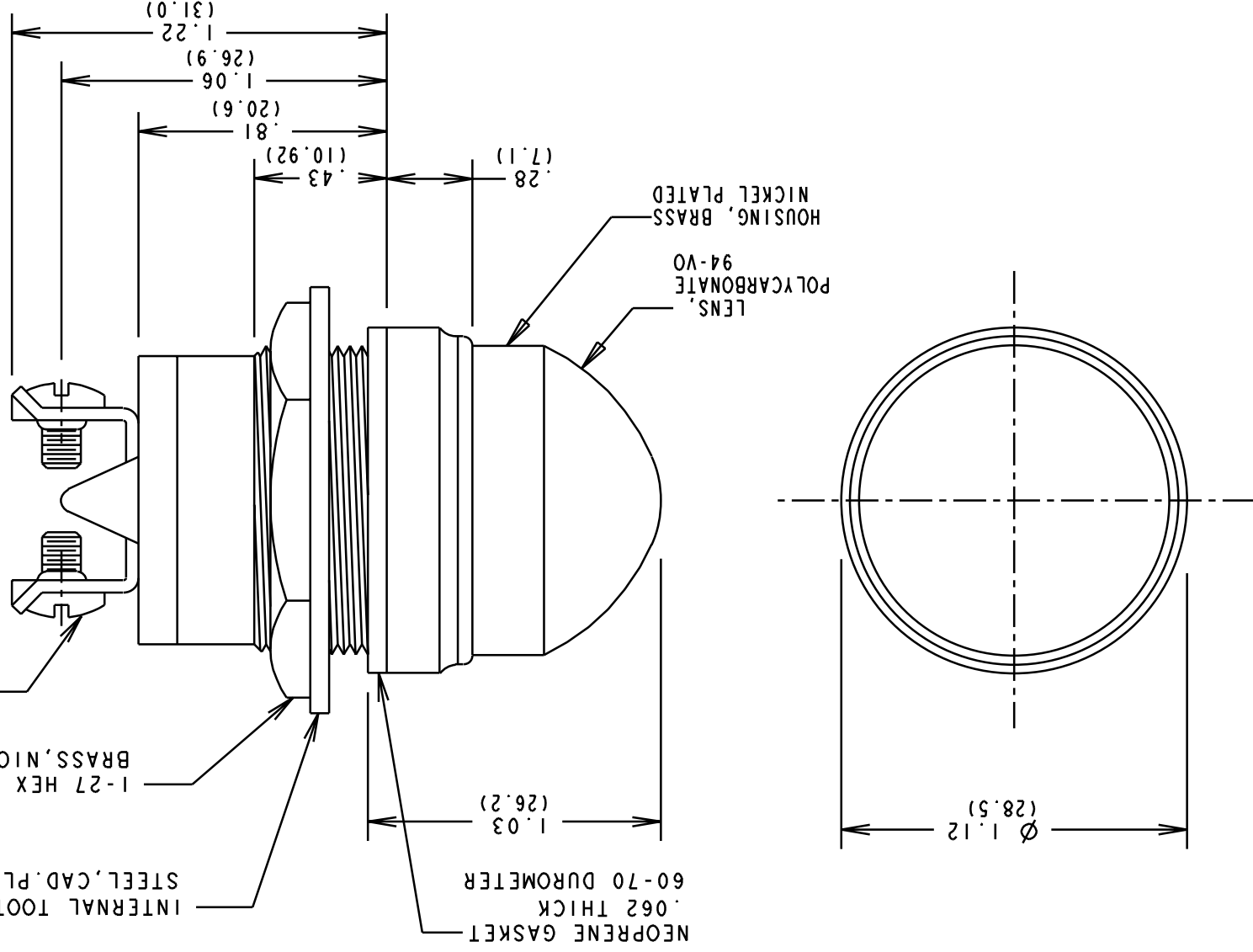


PART NUMBER	LED COLOR	NOMINAL RATING @ TYP VOLTAGE	INTENSITY (fL)	CURRENT (mA)
556-3506-815	RED	74 VDC	1300	20
556-3706-823	AMBER	74 VDC	1300	20

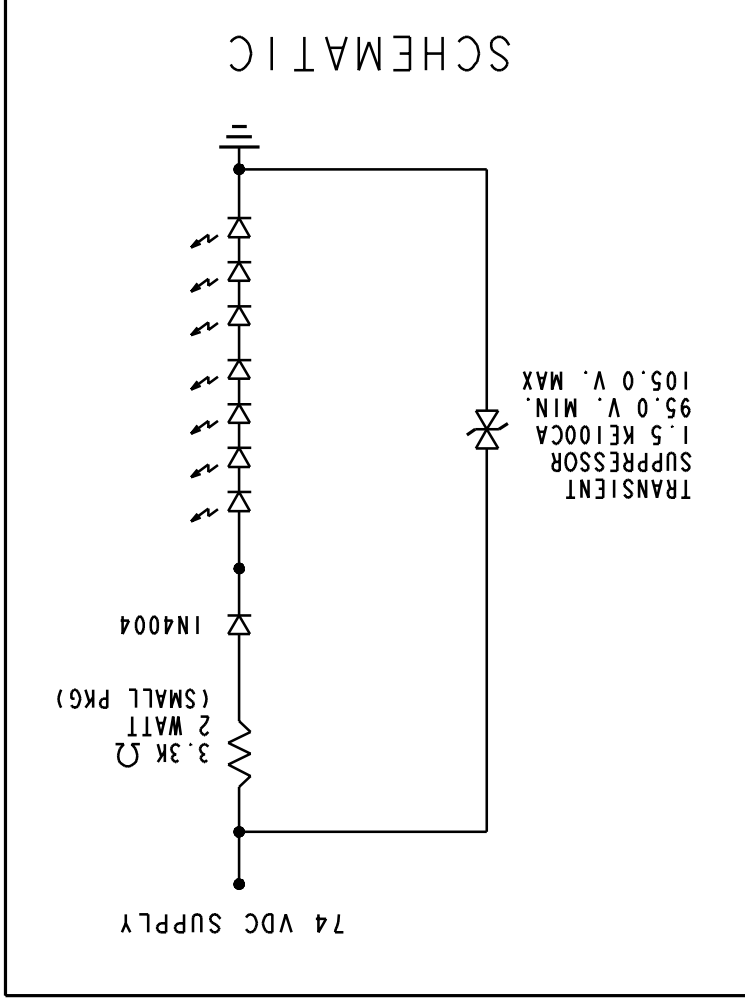
REV.	ECN NO.	REVISIONS	DRN.	CKD.	APP.	DATE
A	—	NEW RELEASE	DC			



- NOTES:
1. PRODUCT IS WATER SEALED FROM FRONT OF PANEL.
  2. MAXIMUM MOUNTING TORQUE: 40 IN-LB
  3. FRONT MOUNTING IN ONE INCH CLEARANCE HOLE.
  4. DIALIGHT PART NO. 556-3506-815, 556-3706-823.

THIS DRAWING AND THE CONTENTS HEREIN ARE CONFIDENTIAL AND THE SOLE PROPERTY OF DIALIGHT. REPRODUCTION OF THIS DRAWING OR CONSTRUCTION OF ANY PARTS WITHIN THIS DRAWING ARE FORBIDDEN WITHOUT THE WRITTEN CONSENT OF DIALIGHT.

SCALE 2:1		DRAWING NUMBER		REV
ALL DIM'S IN: INCHES (MM)		TOLERANCES: UNLESS OTHERWISE SPECIFIED		
FRACTIONS: $\pm 1/64$		DECIMALS (.XXX): $\pm .020$		
ANGLES: $\pm 3^\circ$		FINISH:		
FSCM 83330		SHEET OF		
DIALIGHT		FARMINGDALE, NJ 07727		
1501 ROUTE 34 SOUTH		FAMILY TABLE:		



## X-ON Electronics

Largest Supplier of Electrical and Electronic Components

*Click to view similar products for [LED Panel Mount Indicators](#) category:*

*Click to view products by [Dialight](#) manufacturer:*

Other Similar products are found below :

[607-1312-310F](#) [607-3232-140F](#) [6091M1-24V](#) [6091M5-24V](#) [6091M7-24V](#) [821-0331-503](#) [FL2870C8R](#) [FL2950WL7B](#) [FL589WL8R](#)  
[Q6P3BXXB12E](#) [H8630FBBA3](#) [MPC5ADW6.0](#) [DX1091GN](#) [NL177WL3G](#) [NL276C3G](#) [NL2950BWL3G](#) [NL2950CWL2R](#) [NL589WL2R](#)  
[NL67C3G](#) [NL67C3R](#) [2191L1-12V](#) [PB22SIOL0RG](#) [PB22SPPM41R](#) [PB22SPPM61R](#) [LE177C5B](#) [LH1048BSWL3702](#) [LH1048BWL3702](#)  
[LH382A](#) [LHM62B](#) [SSI-LXH387USBD-150](#) [SSI-LXH9ZIC40587](#) [SSP-LXS110818BA](#) [FL2950BWL7R](#) [FL2950WL7R](#) [FL2951WL8G](#)  
[FL2951WL8R](#) [FL589C7R](#) [FL67C7R](#) [FL67WL8G](#) [2191QU7-24V](#) [2191U1-12V](#) [2191U5-12V](#) [2191U5-6V](#) [2191U7-12V](#) [249-4167-3734-504F](#) [Q6P5BXXG02E](#) [3990A7](#) [5110F3-12V](#) [MPC5BCW18.0](#) [556-1237-801F](#)