



Certifications & Ratings

- IP66
- NEMA 4X
- RoHS Compliant w/6C exemption
- IK07

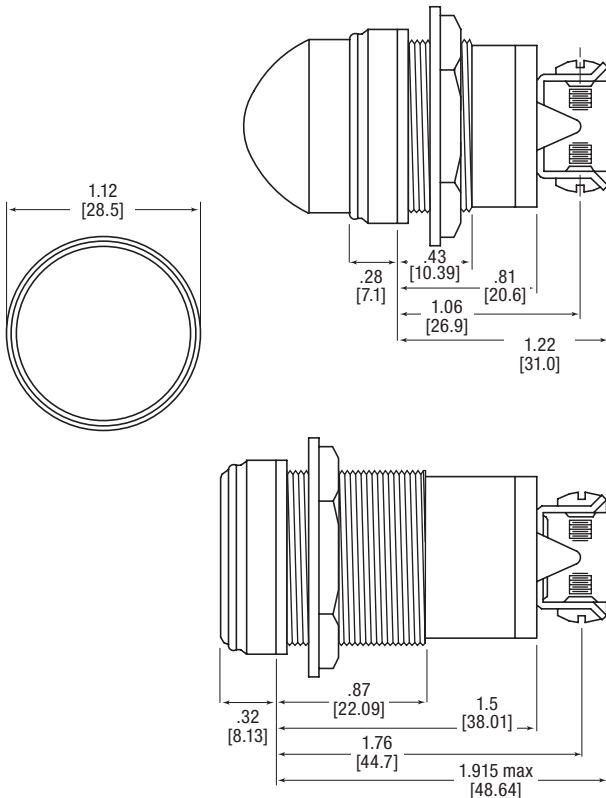
Application

The 556 Series LED Panel Mount Indicators incorporate both InGaN and AlInGaP technologies to offer maximum light output. This is a highly durable package, designed to withstand outdoor applications susceptible to rain, dust and sunlight:

- Instrument panels
- Safety applications
- Transportation: rail, bus, airline
- Vending, gaming
- Lane control
- Display lighting
- ... and many more!

Dimensions

inches [mm]



Mechanical information

Mounting Hole Size: 1.0" (25.4 mm)
Max Panel Thickness: Flat: 0.600" (15.24 mm)
 Dome: 0.187" (4.27 mm)

Mounting Torque: 40 in-lbs

Specifications

Voltage Options: 18–48VDC
 (internal resistor included)

Operating Temp: -30 °C to +85 °C (-22 °F to +185 °F)

Storage Temp: -40 °C to +100 °C (-40 °F to +212 °F)

Electrical Connection: 6-32 screw terminals

Housing: Brass—White or Black Nickel Plated

Terminals: Brass — Hot solder dip
 per Mil-F-14072D, M258, Type II

Lens Material: Transparent Polycarbonate (UL 94V-0)

Lock Washer: Phosphor Bronze — White or Black
 Nickel Plated

Nut: Brass—White or Black Nickel Plated

Ordering Information

556 Series — Standard Constant Intensity

Part Number Guide 556 Series *RoHS Compliant*

5 5 6 - X X X A - X 0 4 F

| | | | | | | | |
|-------------------|---|--------------|---|----------------|-----------|----------------|-------|
| Lens Style | | Color | | Voltage | | Plating | |
| Flat | 1 | Red | 5 | A | 18–48 VDC | 2 | Black |
| Domed | 3 | Green | 6 | | | 3 | White |
| | | Yellow | 7 | | | | |

Flat Lens

Domed Lens

| White Nickel Plating | Black Nickel Plating | White Nickel Plating | Black Nickel Plating | Color | Voltage (VDC) | Typ Current (mA) | Typical Intensity (mcd) |
|----------------------|----------------------|----------------------|----------------------|--------|---------------|------------------|-------------------------|
| 556-150A-304F | 556-150A-204F | 556-350A-304F | 556-350A-204F | Red | 18–48 | 7.3–8.2 | 1470–1500 |
| 556-160A-304F | 556-160A-204F | 556-360A-304F | 556-360A-204F | Green | | 6.5–7.4 | 200–230 |
| 556-170A-304F | 556-170A-204F | 556-370A-304F | 556-370A-204F | Yellow | | 8.0–8.9 | 630–660 |

Dialight reserves the right to make changes at any time in order to supply the best product possible. The most current version of this document will always be available at: www.dialightsignalsandcomponents.com

Warranty Statement: Except for the warranty expressly provided for [herein/above/below], Dialight disclaims any and all other warranties, express or implied, including, without limitation, any warranties of merchantability, fitness for a particular purpose, title, and noninfringement.

X-ON Electronics

Largest Supplier of Electrical and Electronic Components

Click to view similar products for [LED Panel Mount Indicators](#) category:

Click to view products by [Dialight](#) manufacturer:

Other Similar products are found below :

[607-3232-140F](#) [821-0331-503](#) [FL2870C8R](#) [FL2950WL7B](#) [FL2950WL8G](#) [FL589WL8R](#) [FL67C8R](#) [H8630FBBA3](#) [NL177WL2A](#)
[NL177WL3G](#) [NL276C2A](#) [NL2950BWL3G](#) [NL589WL2R](#) [NL67C2C](#) [NL67C3R](#) [C480AABG3](#) [L32R-R2-2311](#) [L3353-MWRG](#) [L39UR-R24-2111](#) [L58D-G2-W](#) [L58D-Y2-W](#) [L59D-R12-W](#) [L59UD-R12-W](#) [L625DG](#) [L625DR](#) [LE177WL39007](#) [LE2950BWL39018](#) [LH1048BSWL3702](#)
[LH1048BWL3702](#) [LH382A](#) [LH677G](#) [LHM628A](#) [FL276WL7R](#) [FL2950BWL7R](#) [FL2950WL7R](#) [FL2950WL8R](#) [FL2950WL8R-12](#)
[FL2951WL8G](#) [FL2951WL8R](#) [FL589C7R](#) [FL67WL8G](#) [MPC5BCW18.0](#) [556-1605-808F](#) [556-1705-809F](#) [556-3008-839F](#) [558-0201-818F](#)
[559-0001-813F](#) [559-1301-801F](#) [559-3501-804F](#) [VL1CK0P600](#)