



## Certifications & Ratings

- RoHS Compliant
- Watertight to Mil-L-3661B spec

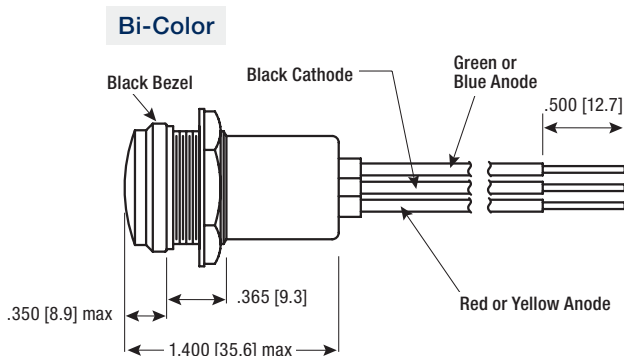
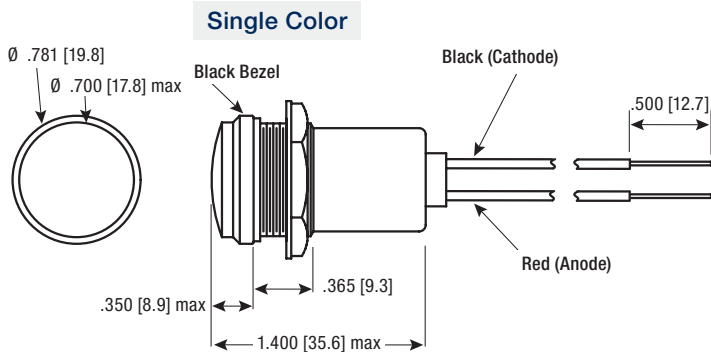
## Application

The 557 Series LED Panel Mount Indicators incorporate both InGaN and AlInGaP technologies to offer higher intensities. This is a highly durable package, designed to withstand outdoor applications susceptible to rain, dust, and sunlight.

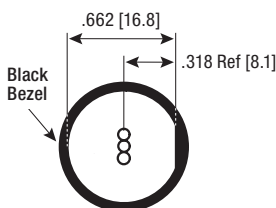
- Instrument panels
  - Safety applications
  - Transportation—rail, bus, airline
  - Vending, gaming
  - Lane control
- ... and many more!

## Dimensions

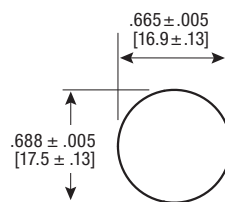
inches [mm]



### Back View of Housing



### Recommended Mounting Hole



## Mechanical information

**Mounting Hole Size:** 0.687" (17.46 mm)

**Max Panel Thickness:** 0.156" (3.96 mm)

**Mounting Torque:** 15 in-lbs torque

## Specifications

**Voltage Options:** 5, 12, 24, and 28VDC (bi-color: 5VDC)

**Operating Temp:** -25°C to +85°C  
(bi-color: -30°C to +80°C)

**Storage Temp:** -30°C to +100°C  
(bi-color: -40°C to +85°C)

**Electrical Connection:** 24 AWG Wire Leads

**Housing:** White Polycarbonate

**Lens Material:** Transparent Polycarbonate (UL 94V-0)

**Wire Leads:** 5.5"

**Lock Washer:** Phosphor Bronze—White Nickel Plated

**Nut:** Brass—White Nickel Plated

## Ordering Information 557 Series

| Part Number Guide |   |   |   | RoHS Compliant |       |   |   |    |      |                           |
|-------------------|---|---|---|----------------|-------|---|---|----|------|---------------------------|
| 5                 | 5 | 7 | - | 1              | X X X | - | 2 | 0  | 3    | F                         |
| Color             |   |   |   | Voltage        |       |   |   |    |      |                           |
| ○ White           | 0 | 0 |   |                |       |   | 2 | 5  | VDC  |                           |
| ● Red             | 5 | 0 |   |                |       |   | 3 | 12 | VDC* |                           |
| ● Green           | 6 | 0 |   |                |       |   | 4 | 24 | VDC* |                           |
| ● Yellow          | 7 | 0 |   |                |       |   | 5 | 28 | VDC* |                           |
| ● Blue            | 8 | 0 |   |                |       |   |   |    |      |                           |
| ●● Red/Green      | 4 | 1 |   |                |       |   |   |    |      |                           |
| ●● Red/Blue       | 4 | 2 |   |                |       |   |   |    |      | <i>*single color only</i> |
| ●● Yellow/Green   | 4 | 3 |   |                |       |   |   |    |      |                           |
| ●● Yellow/Blue    | 4 | 4 |   |                |       |   |   |    |      |                           |
| ●● Yellow/Red     | 4 | 5 |   |                |       |   |   |    |      |                           |

| Part Number   | Color           | Voltage (VDC) | Current (mA) | Typical Intensity (mcd) |      |
|---------------|-----------------|---------------|--------------|-------------------------|------|
| 557-1002-203F | ○ White         | 5             | 16           | 5350                    |      |
| 557-1502-203F | ● Red           |               | 80           | 800                     |      |
| 557-1602-203F | ● Green         |               | 16           | 4900                    |      |
| 557-1702-203F | ● Yellow        |               | 80           | 1550                    |      |
| 557-1802-203F | ● Blue          |               | 16           | 1200                    |      |
| 557-1412-203F | ●● Red/Green    |               | 70/16        | 720/1800                |      |
| 557-1422-203F | ●● Red/Blue     |               | 70/16        | 625/425                 |      |
| 557-1432-203F | ●● Yellow/Green |               | 70/16        | 585/1700                |      |
| 557-1442-203F | ●● Yellow/Blue  |               | 70/16        | 635/445                 |      |
| 557-1452-203F | ●● Yellow/Red   |               | 70/20        | 650/350                 |      |
| 557-1003-203F | ○ White         |               | 12           | 16                      | 5350 |
| 557-1503-203F | ● Red           |               |              | 20                      | 800  |
| 557-1603-203F | ● Green         | 16            |              | 4900                    |      |
| 557-1703-203F | ● Yellow        | 20            |              | 1550                    |      |
| 557-1803-203F | ● Blue          | 16            |              | 1200                    |      |
| 557-1005-203F | ○ White         | 24            |              | 16                      | 5350 |
| 557-1505-203F | ● Red           |               | 20           | 800                     |      |
| 557-1605-203F | ● Green         |               | 16           | 4900                    |      |
| 557-1705-203F | ● Yellow        |               | 20           | 1550                    |      |
| 557-1805-203F | ● Blue          |               | 16           | 1200                    |      |
| 557-1604-203F | ● Green         |               | 28           | 16                      | 4900 |
| 557-1704-203F | ● Yellow        | 20            |              | 1550                    |      |
| 557-1804-203F | ● Blue          | 16            |              | 1200                    |      |

Dialight reserves the right to make changes at any time in order to supply the best product possible. The most current version of this document will always be available at: [www.dialightsignalsandcomponents.com](http://www.dialightsignalsandcomponents.com)

**Warranty Statement:** Except for the warranty expressly provided for [herein/above/below], Dialight disclaims any and all other warranties, express or implied, including, without limitation, any warranties of merchantability, fitness for a particular purpose, title, and noninfringement.

## X-ON Electronics

Largest Supplier of Electrical and Electronic Components

*Click to view similar products for [LED Panel Mount Indicators](#) category:*

*Click to view products by [Dialight](#) manufacturer:*

Other Similar products are found below :

[607-3232-140F](#) [821-0331-503](#) [FL2870C8R](#) [FL2950WL7B](#) [FL2950WL8G](#) [FL589WL8R](#) [FL67C8R](#) [H8630FBBA3](#) [NL177WL2A](#)  
[NL177WL3G](#) [NL276C2A](#) [NL2950BWL3G](#) [NL589WL2R](#) [NL67C2C](#) [NL67C3R](#) [C480AABG3](#) [L32R-R2-2311](#) [L3353-MWRG](#) [L39UR-R24-2111](#) [L58D-G2-W](#) [L58D-Y2-W](#) [L59D-R12-W](#) [L59UD-R12-W](#) [L625DG](#) [L625DR](#) [LE177WL39007](#) [LE2950BWL39018](#) [LH1048BSWL3702](#)  
[LH1048BWL3702](#) [LH382A](#) [LH677G](#) [LHM628A](#) [FL276WL7R](#) [FL2950BWL7R](#) [FL2950WL7R](#) [FL2950WL8R](#) [FL2950WL8R-12](#)  
[FL2951WL8G](#) [FL2951WL8R](#) [FL589C7R](#) [FL67WL8G](#) [MPC5BCW18.0](#) [556-1605-808F](#) [556-1705-809F](#) [556-3008-839F](#) [558-0201-818F](#)  
[559-0001-813F](#) [559-1301-801F](#) [559-3501-804F](#) [VL1CK0P600](#)