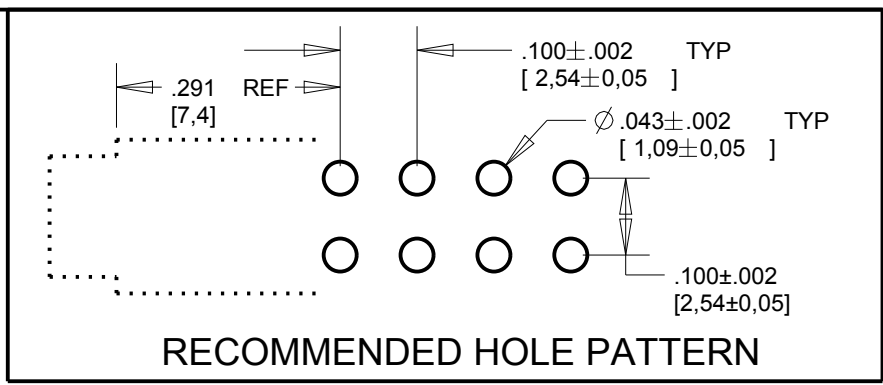
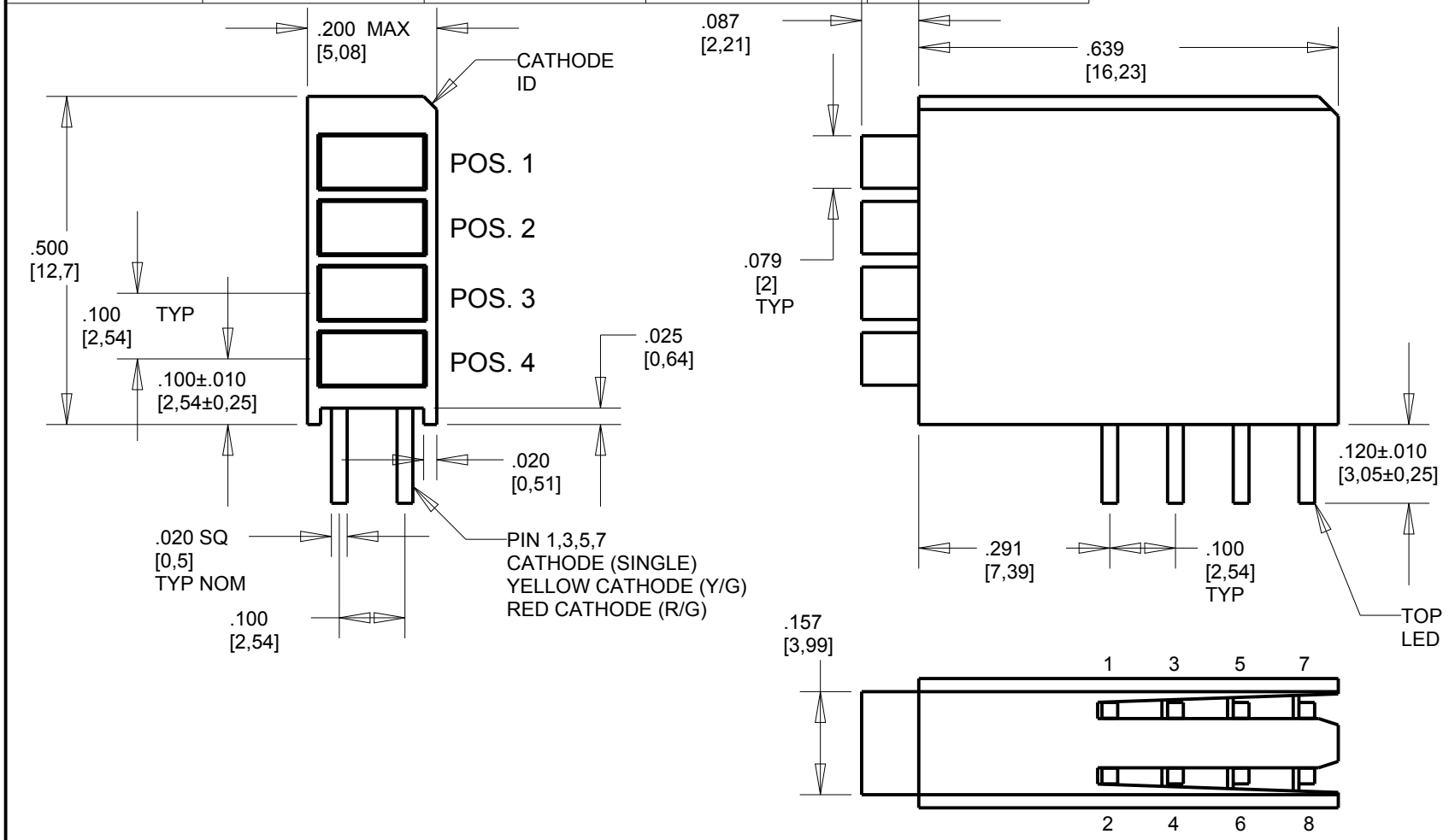


DIALIGHT PART NUMBER	POS. 1	POS. 2	POS. 3	POS. 4
568-0120-003F	** BLANK **	** BLANK **	** BLANK **	YELLOW
568-0120-010F	** BLANK **	** BLANK **	RED	** BLANK **
568-0120-020F	** BLANK **	** BLANK **	GREEN	** BLANK **
568-0120-021F	** BLANK **	** BLANK **	GREEN	RED
568-0120-132F	** BLANK **	RED	YELLOW	GREEN
568-0121-111F	RED	RED	RED	RED
568-0121-233F	RED	GREEN	YELLOW	YELLOW
568-0121-322F	RED	YELLOW	GREEN	GREEN
568-0122-030F	GREEN	** BLANK **	YELLOW	** BLANK **
568-0122-121F	GREEN	RED	GREEN	RED
568-0122-122F	GREEN	RED	GREEN	GREEN
568-0122-222F	GREEN	GREEN	GREEN	GREEN
568-0122-223F	GREEN	GREEN	GREEN	YELLOW
568-0122-232F	GREEN	GREEN	YELLOW	GREEN
568-0122-233F	GREEN	GREEN	YELLOW	YELLOW
568-0122-321F	GREEN	YELLOW	GREEN	RED
568-0122-323F	GREEN	YELLOW	GREEN	YELLOW
568-0122-332F	GREEN	YELLOW	YELLOW	GREEN
568-0123-232F	YELLOW	GREEN	YELLOW	GREEN
568-0123-321F	YELLOW	YELLOW	GREEN	RED
568-0123-333F	YELLOW	YELLOW	YELLOW	YELLOW
568-0720-010F	** BLANK **	** BLANK **	RED / GREEN	** BLANK **
568-0720-044F	** BLANK **	** BLANK **	YELLOW / GREEN	YELLOW / GREEN
568-0720-111F	** BLANK **	RED / GREEN	RED / GREEN	RED / GREEN
568-0720-441F	** BLANK **	YELLOW / GREEN	YELLOW / GREEN	RED / GREEN
568-0721-111F	RED / GREEN	RED / GREEN	RED / GREEN	RED / GREEN
568-0721-144F	RED / GREEN	RED / GREEN	YELLOW / GREEN	YELLOW / GREEN
568-0721-414F	RED / GREEN	YELLOW / GREEN	RED / GREEN	YELLOW / GREEN
568-0721-441F	RED / GREEN	YELLOW / GREEN	YELLOW / GREEN	RED / GREEN
568-0724-444F	YELLOW / GREEN	YELLOW / GREEN	YELLOW / GREEN	YELLOW / GREEN



REV	ECN NO	REVISIONS	DRN	CKD	APP	DATE
A	—	NEW RELEASE	TWC	MES	N.O.	8-8-05
B	—	ADDED P/N 568-0720-441F AND 568-0721-441F	TWC	N.O.	MES	11-16-05
C	—	ADDED P/N 568-0720-044F	TC	N.O.	MES	4-3-07
D	—	ADDED P/N 568-0122-030F; ".10" WAS ".100" (4X); ".279015" WAS ".279"; ".087" WAS ".087".	KLJ	N.O.	MES	11-21-08
E	—	ADDED P/N 568-0720-111F	KLJ	N.O.	MES	12-11-08
F	—	ADDED P/N'S 568-0122-122F,-232F	KLJ	N.O.	MES	1-26-09
G	—	ADDED P/N 568-0122-121F	LD	—	SK	8-13-18

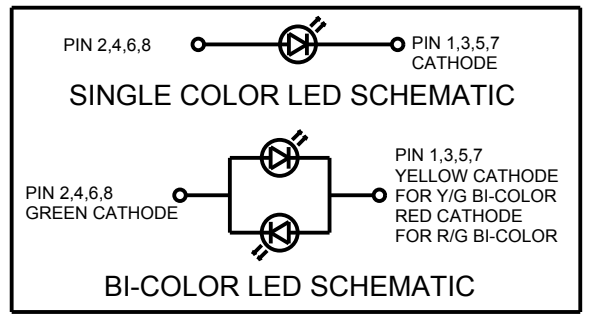
OPERATING CHARACTERISTICS AT 25 °C AMBIENT						
CHARACTERISTICS	COLOR	MIN	TYP	MAX	UNITS	TEST CONDITIONS
LUMINOUS INTENSITY	RED	1.1	3.7		mcd	F = 10 mA
	YELLOW	3.8		12.5		
	GREEN	3.75		8.74		
	RED / GREEN	1.7	5.6			
	YELLOW / GREEN	0.7/1.1	2.5/3.7			
FORWARD VOLTAGE	RED		2.1	2.8	V	F = 20 mA
	YELLOW		2.0	2.4		
	GREEN		2.1	2.8		
	RED / GREEN		2.0/2.1	2.8		
	YELLOW / GREEN		2.1	2.8		
REVERSE VOLTAGE	ALL	5			V	R = 100 µA
PEAK WAVELENGTH	RED		635		nm	
	YELLOW		589			
	GREEN		565			
	RED / GREEN		630/565			
	YELLOW / GREEN		585/565			




- NOTES:
- LEADS TO FIT INTO HOLES SPACED AS PER HOLE PATTERN
  - LEADS TO BE FREE OF DEFORMATION AFTER BENDING AND CUTTING
  - WHEN A ZERO APPEARS IN THE LAST 4 DIGITS OF THE PART NUMBER THIS MEANS NO LAMP REQUIRED IN THAT POSITION
  - PIN NUMBERS FOR REFERENCE ONLY - NUMBERS DO NOT APPEAR ON PART
  - LED LEAD DIMENSIONS SHOWN ARE MEASURED AT HOUSING EXIT
  - DIALIGHT PART NUMBERS = 568-0X2X-XXXX

**RoHS Compliant 568-0x2x-xxx F Thru hole 2x4 Rectangular Quad-level CBI**

Part Numbers with the "F" suffix ending are RoHS Compliant.  
 Example: 568-0120-003F, 568-0724-444F  
 The bag packaging is marked with "RoHS Compliant" label or equivalent markings. Parts can be wave soldered, dip soldered or hand soldered using typical lead-free soldering process with max 260°C temp. for 5 sec.



THIS DRAWING AND THE CONTENTS HEREIN ARE CONFIDENTIAL AND THE SOLE PROPERTY OF DIALIGHT CORP. REPRODUCTION OF THIS DRAWING OR CONSTRUCTION OF ANY PARTS WITHIN THIS DRAWING ARE FORBIDDEN WITHOUT THE WRITTEN CONSENT OF DIALIGHT CORP.		
SCALE: 4.000 ALL DIM'S: INCH (mm)	DRAWING NUMBER <b>C-17279</b>	REV <b>G</b>
TOLERANCES: UNLESS OTHERWISE SPECIFIED FRACTIONS: ±1/64 DECIMALS (.XX): ±.02 DECIMALS (.XXX): ±.015	TITLE <b>4X1 RECTANGULAR CBI BLOCK RoHS COMPLIANT</b>	
ANGLES: ±3° FINISH	MATERIAL	
FSCM 83330	 1501 ROUTE 34 SOUTH FARMINGDALE, NJ 07727 (732) 919-3119 www.dialight.com	
SHEET 1 OF 1	FAMILY TABLE:	

## X-ON Electronics

Largest Supplier of Electrical and Electronic Components

*Click to view similar products for [LED Circuit Board Indicators](#) category:*

*Click to view products by [Dialight](#) manufacturer:*

Other Similar products are found below :

[568-0701-841F](#) [LTL-4221NH129](#) [LTL-42DGNMHDP1](#) [HLMP1521101](#) [HLMP1523802F](#) [HLMP1700101F](#) [HLMP1700104F](#) [BHA-1564-G](#)  
[SMF-HM1530YD-305](#) [SSF-LXH409SYSUGW](#) [AM2520EHSGD](#) [HLMP1301104F](#) [HLMP1385101F](#) [HLMP1421101](#) [HLMP1503103F](#)  
[HLMP1503104F](#) [HLMP1700102F](#) [HLMP1700106F](#) [HLMP1700107F](#) [HLMP1790101F](#) [HLMP1790103F](#) [LTL-4211NHBP](#) [5390H3](#) [551-](#)  
[2802F](#) [552-0794-810F](#) [553-0222-812F](#) [HT3-BC-T](#) [564-0700-831F](#) [WP59BLGEW](#) [103-3101-1231-403](#) [5502407811F](#) [550-3007-810F](#) [551-](#)  
[3307MF](#) [552080-1](#) [573-2399-100F](#) [592-2020-302F](#) [5932-927-2701-3F](#) [SMF-HM1530SRD-509](#) [SSF-LXH100MID](#) [SSF-LXH2103SRSDRP](#)  
[SSF-LXH555USBW](#) [WP937SB/4YGW](#) [WP937EB2EGW](#) [551-0312-802F](#) [553-0110-802F](#) [561-5501-050F](#) [6202T3-5VLC](#) [LTL-307G08A-D](#)  
[CMD57164](#) [568-2231-313F](#)