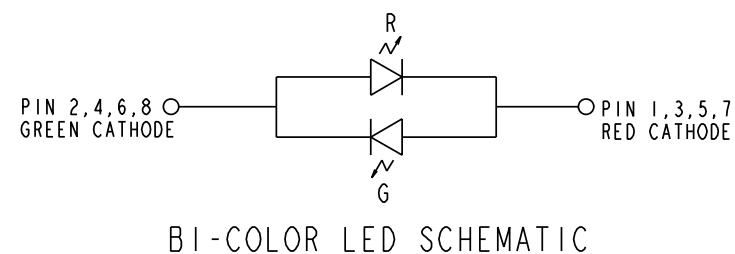
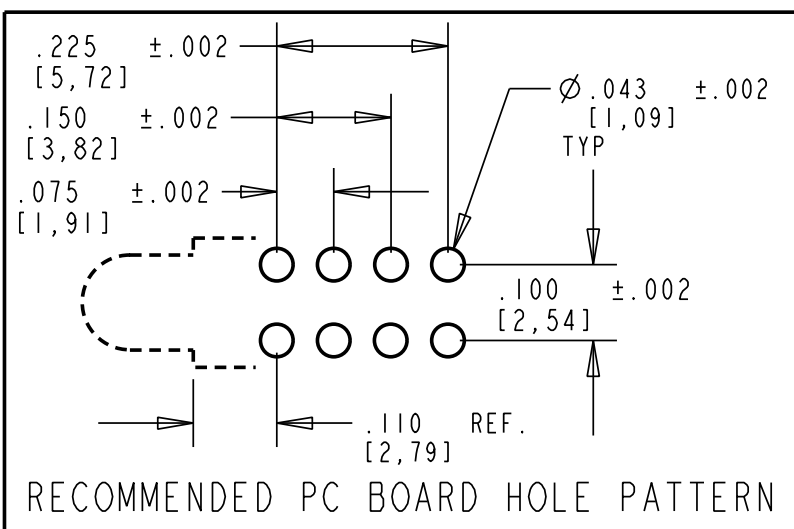
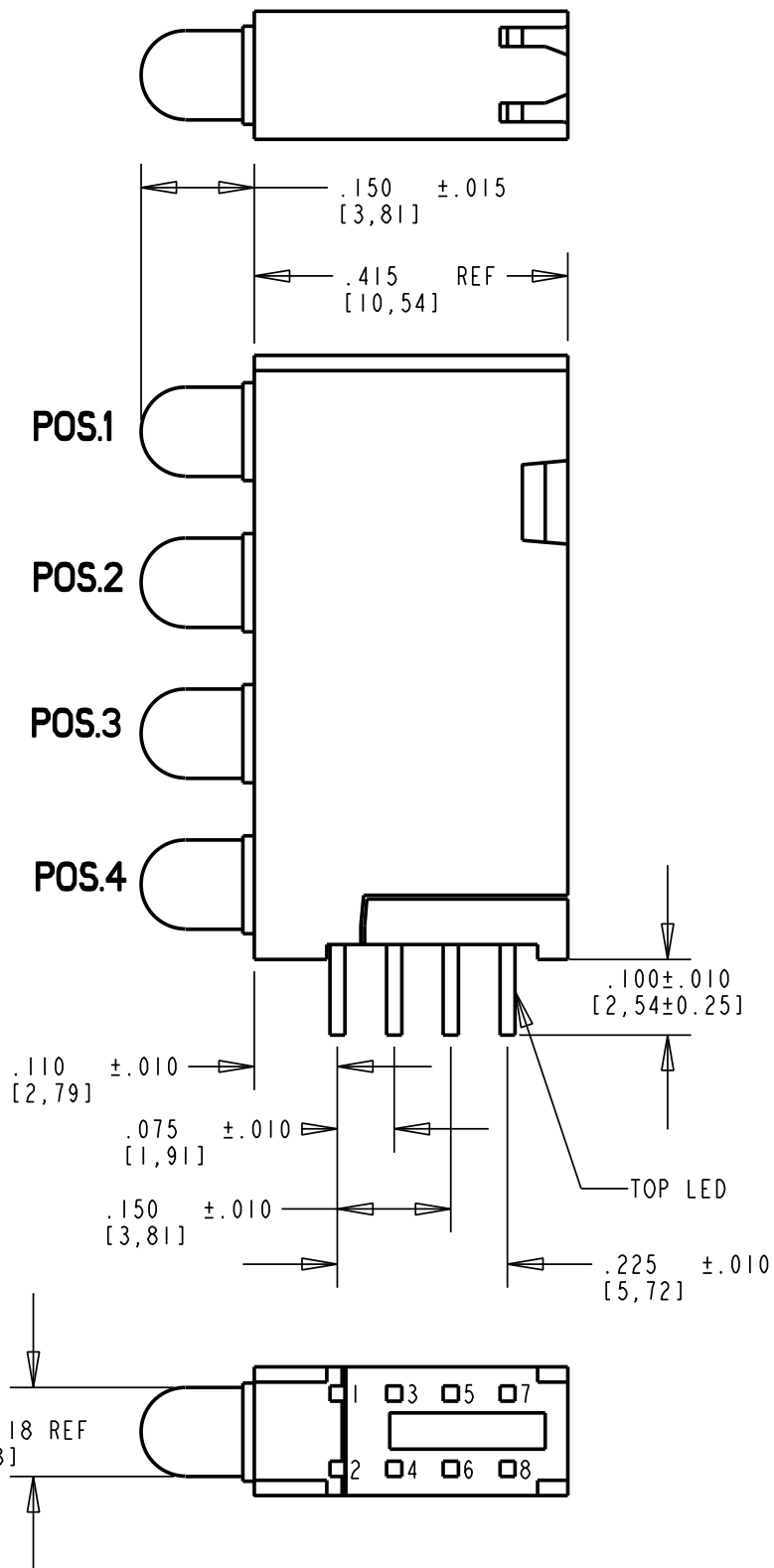
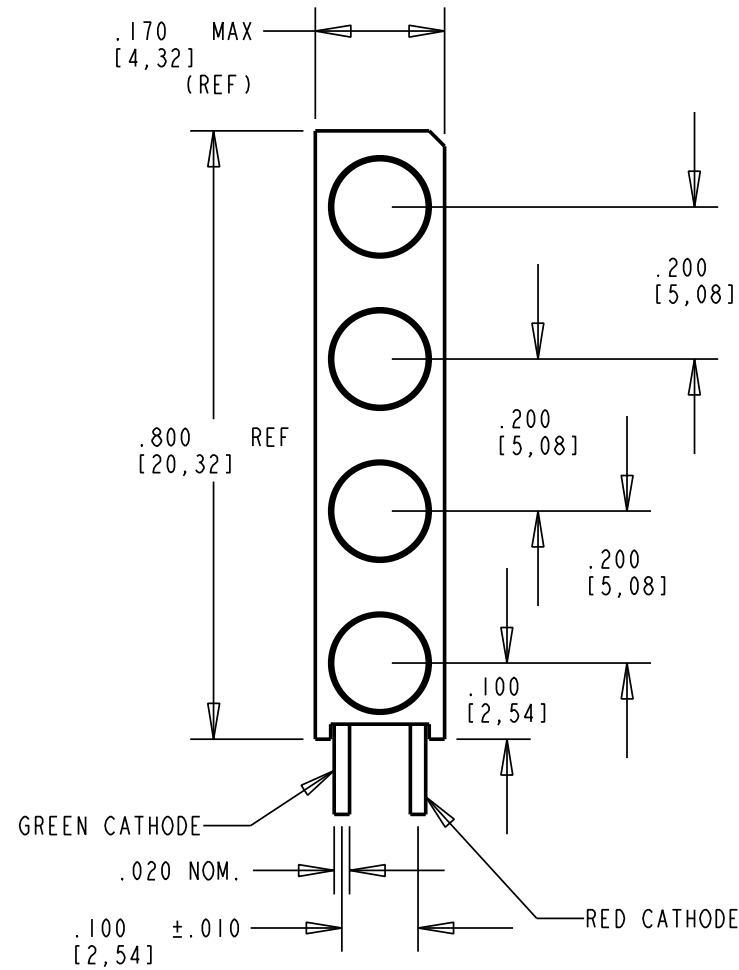


PART NUMBER and LEGEND	LED COLOR			
	POSITION 1	POSITION 2	POSITION 3	POSITION 4
568-0701-819F	RED / GREEN	RED / GREEN	RED / GREEN	RED / GREEN

REV	ECN NO	REVISIONS	DRN	CKD	APP	DATE
A	—	NEW RELEASE	TWC	MES	N.O.	4-26-05
B	—	REVISED POLARITY, RED CATHODE RIGHT SIDE WAS GREEN CATHODE; UPDATED RoHS COMPLIANT NOTE; CORRECTED TITLE	TWC			

NOTES:

- LEADS TO FIT INTO HOLES SPACED AS PER HOLE PATTERN
- LED LEAD DIMENSIONS SHOWN ARE MEASURED AT HOUSING EXIT.
- PIN NUMBERS FOR REFERENCE ONLY, DESIGNATION NON-EXISTENT ON PARTS.
- DIALIGHT PART NUMBER: 568-0701-819F
- PACKAGE PARTS IN ANTI-STATIC TUBES. 100 PC'S PER TUBE WITH 2 END PLUGS. APPLY LABEL WITH DIALIGHT P/N, DATE CODE, QTY/TUBE.
- THIS PRODUCT IS Pb FREE. IT IS IN COMPLIANCE WITH THE EUROPEAN UNION'S ROHS DIRECTIVE. EACH PACKAGING TUBE IS MARKED WITH THE Pb FREE LABEL P/N 9100-117-0797-99, OR EQUIVALENT RoHS COMPLIANT MARKING.



LED COLOR = GRN/RED BI-COLOR						
OPERATING CHARACTERISTICS AT 25°C AMBIENT						
CHARACTERISTICS	COLOR	MIN	TYP	MAX	UNITS	TEST CONDITIONS
LUMINOUS INTENSITY	GREEN	3.7	10.0		mcd	I _f = 10 mA
	RED	2.5	4.7			
FORWARD VOLTAGE	GREEN		2.1	2.8	V	I _f = 20 mA
	RED		2.0			
PEAK WAVELENGTH	GREEN		565		nm	I _f = 20 mA
	RED		635			
VIEWING ANGLE	GREEN		60		DEGREES	
	RED					

ABSOLUTE MAXIMUM RATINGS AT 25°C AMBIENT			
	GREEN	RED	UNITS
POWER DISSIPATION	100		mW
DERATE LINEARLY FROM 50°C	0.4		mA/°C
CONTINUOUS FORWARD CURRENT	30		mA
PEAK FORWARD CURRENT (1/10 DUTY CYCLE, 10 ms PULSE WIDTH)	120		mA
LEAD SOLDERING TEMPERATURE, 6 SEC., 1/16" FROM BASE	260		°C
OPERATING TEMPERATURE	-55 TO +100		°C
STORAGE TEMPERATURE	-55 TO +100		°C

THIS DRAWING AND THE CONTENTS HEREIN ARE CONFIDENTIAL AND THE SOLE PROPERTY OF DIALIGHT. REPRODUCTION OF THIS DRAWING OR CONSTRUCTION OF ANY PARTS WITHIN THIS DRAWING ARE FORBIDDEN WITHOUT THE WRITTEN CONSENT OF DIALIGHT.

SCALE: DRAWING SCALE ALL DIM'S IN: INCHES (MM)	DRAWING NUMBER C-17229	REV B
TOLERANCES: UNLESS OTHERWISE SPECIFIED FRACTIONS: ±1/64 DECIMALS (.XX): ±.01 DECIMALS (.XXX): ±.005 DECIMALS (.XXXX): ±.0005 ANGLES: ±1°	TITLE CUSTOM 4X1 CBI BLOCK 4X R/G SPECIAL LEAD TRIM .100"	
FINISH:	MATERIAL	
FSCM 83330	1501 ROUTE 34 SOUTH FARMINGDALE, NJ 07727	
	SHEET 1 OF 1	FAMILY TABLE:

X-ON Electronics

Largest Supplier of Electrical and Electronic Components

Click to view similar products for [LED Circuit Board Indicators](#) category:

Click to view products by [Dialight](#) manufacturer:

Other Similar products are found below :

[568-0701-841F](#) [LTL-4221NH129](#) [LTL-42DGNMHDP1](#) [HLMP1521101](#) [HLMP1523802F](#) [HLMP1700101F](#) [HLMP1700104F](#) [BHA-1564-G](#)
[SMF-HM1530YD-305](#) [SSF-LXH409SYSUGW](#) [AM2520EHSGD](#) [HLMP1301104F](#) [HLMP1385101F](#) [HLMP1421101](#) [HLMP1503103F](#)
[HLMP1503104F](#) [HLMP1700102F](#) [HLMP1700106F](#) [HLMP1700107F](#) [HLMP1790101F](#) [HLMP1790103F](#) [LTL-4211NHBP](#) [5390H3](#) [551-](#)
[2802F](#) [552-0794-810F](#) [553-0222-812F](#) [HT3-BC-T](#) [564-0700-831F](#) [WP59BLGEW](#) [103-3101-1231-403](#) [5502407811F](#) [550-3007-810F](#) [551-](#)
[3307MF](#) [552080-1](#) [573-2399-100F](#) [592-2020-302F](#) [5932-927-2701-3F](#) [SMF-HM1530SRD-509](#) [SSF-LXH100MID](#) [SSF-LXH2103SRSDRP](#)
[SSF-LXH555USBW](#) [WP937SB/4YGW](#) [WP937EB2EGW](#) [551-0312-802F](#) [553-0110-802F](#) [561-5501-050F](#) [6202T3-5VLC](#) [LTL-307G08A-D](#)
[CMD57164](#) [568-2231-313F](#)