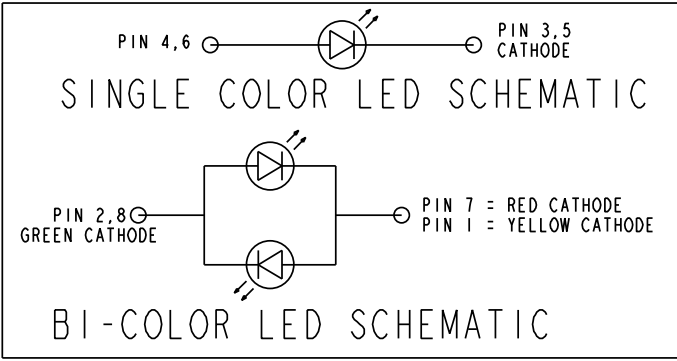
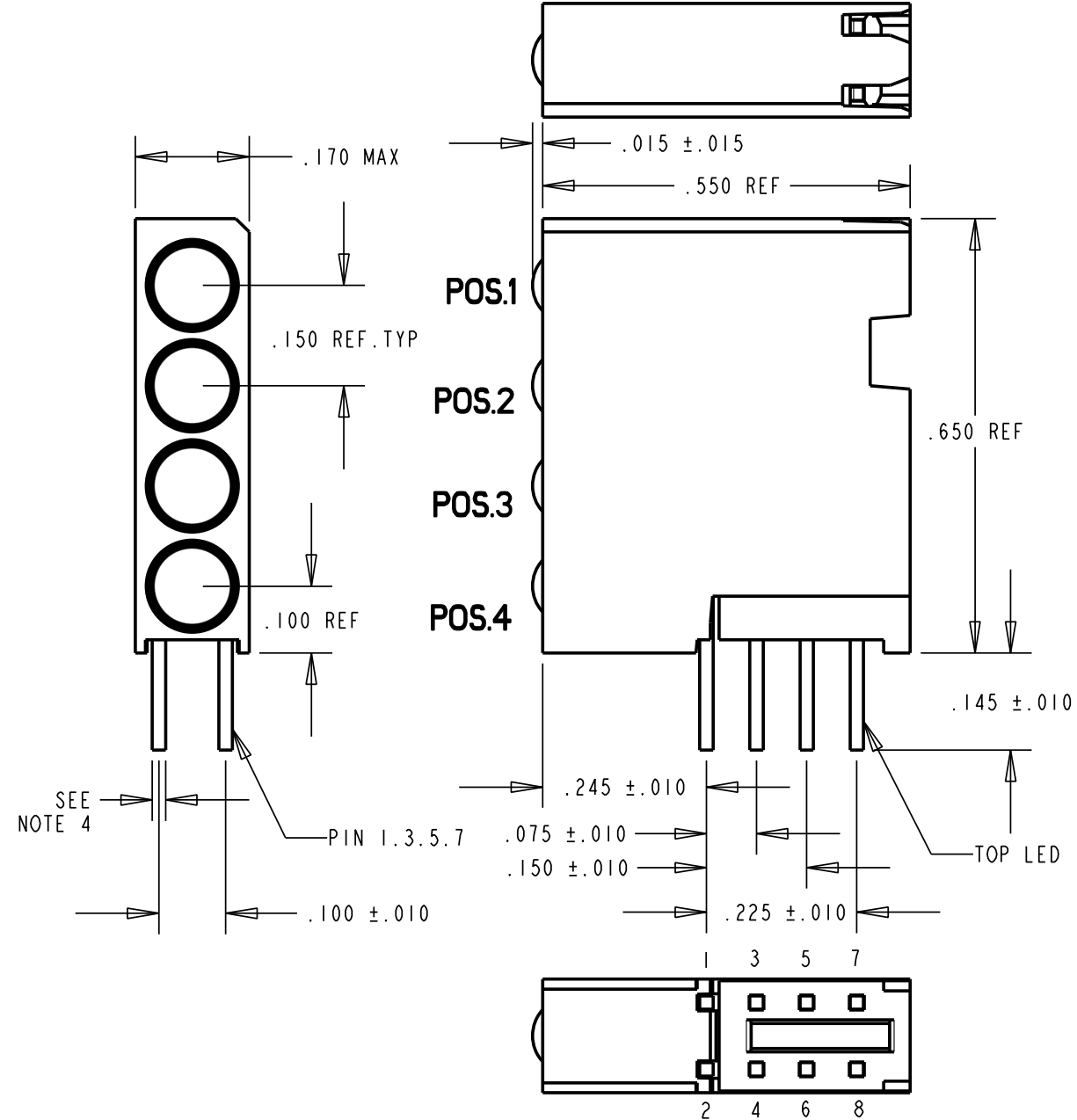


PART NUMBER	LED COLOR			
	POSITION 1	POSITION 2	POSITION 3	POSITION 4
568-0731-822F	RED / GREEN	GREEN	GREEN	YELLOW / GREEN



REV	ECN NO	REVISIONS	DRN	CKD	APP	DATE
A		NEW RELEASE	TWC	N.O.	MES	11-14-05
B		568-0731-822F RoHS NOTE WAS 586-0731-522F	TWC			

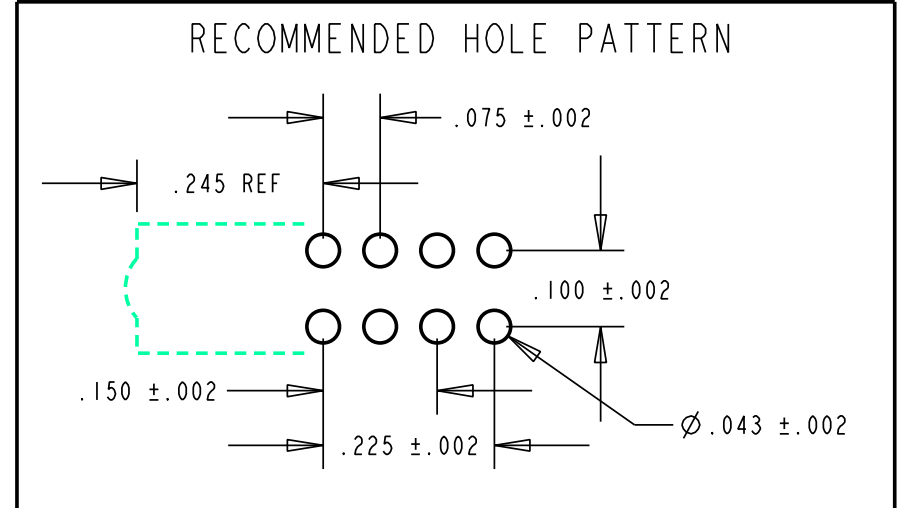


ABSOLUTE MAXIMUM RATING AT 25 °C AMBIENT	GREEN	RED/GRN	YEL/GRN	UNITS
POWER DISSIPATION	100	100	60/100	mW
DERATE LINEARLY FROM 50 °C	0.4	0.4	0.25/0.4	mA/°C
CONTINUOUS FORWARD CURRENT	30	30	20/30	mA
PEAK FORWARD CURRENT (1/10 DUTY CYCLE, 0.1 ms PULSE WIDTH)	120	120	80/120	mA
REVERSE VOLTAGE	5	5		V
LEAD SOLDERING TEMPERATURE, 5 SEC., 1/16" FROM BODY	260			°C
OPERATING TEMPERATURE	-55 TO +100			°C
STORAGE TEMPERATURE	-55 TO +100			°C

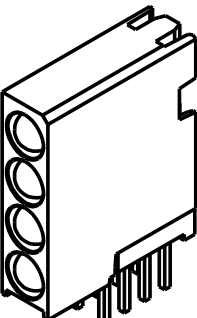
OPERATING CHARACTERISTICS AT 25°C AMBIENT						
CHARACTERISTICS	COLOR	MIN	TYP	MAX	UNITS	TEST CONDITIONS
LUMINOUS INTENSITY	GREEN	4.7	12.6		mcd	I _F = 10 mA
	RED/GREEN	2.5/3.7	4.7/10.0			
	YELLOW/GREEN	2.5	4.3/6.3			
FORWARD VOLTAGE	GREEN		2.1	2.8	V	I _F = 20 mA
	RED/GREEN		2.0/2.1	2.8		
	YELLOW/GREEN					
PEAK WAVELENGTH	GREEN		565		nm	
	RED/GREEN		635/565			
	YELLOW/GREEN		585/565			
VIEWING ANGLE (2 θ 1/2)	GREEN		60		Degree	
	RED/GREEN		60			
	YELLOW/GREEN		80			
REVERSE CURRENT	GREEN			100	mA	V _R = 5V
	RED/GREEN					
	YELLOW/GREEN					

RoHS Compliant 568-0731-822F 4 X 1 Thru hole CBI Block

Part Numbers with the "F" suffix ending are RoHS Compliant.
 Example: 568-0731-822F
 Packaging is marked with "RoHS Compliant" label or equivalent markings. Parts can be wave soldered, dip soldered or hand soldered using typical lead-free soldering process with max 260°C temp. for 5 sec.



SCALE 2.000



NOTES:

- LEADS TO FIT INTO HOLES SPACED AS PER HOLE PATTERN
- LEADS TO BE FREE OF DEFORMATION AFTER BENDING AND CUTTING
- LED LEAD DIMENSIONS SHOWN ARE MEASURED AT HOUSING EXIT
- LED LEAD THICKNESS =
 .020 NOM. = RED / GREEN
 .016 X .018 = GREEN
 .016 X .018 = YELLOW / GREEN
- PACKAGING =
 BLOCKS PLACED IN AN ANTISTATIC BAG
- DIALIGHT PART NUMBERS = 568-0731-822F

THIS DRAWING AND THE CONTENTS HEREIN ARE CONFIDENTIAL AND THE SOLE PROPERTY OF DIALIGHT. REPRODUCTION OF THIS DRAWING OR CONSTRUCTION OF ANY PARTS WITHIN THIS DRAWING ARE FORBIDDEN WITHOUT THE WRITTEN CONSENT OF DIALIGHT.		
SCALE: 4.000 ALL DIM'S IN: INCHES (MM)	DRAWING NUMBER C-17328	REV B
TOLERANCES: UNLESS OTHERWISE SPECIFIED FRACTIONS: ±1/64 DECIMALS (.XX): ±.01 DECIMALS (.XXX): ±.005 DECIMALS (.XXXX): ±.0005 ANGLES: ±1°	TITLE 4x1 CBI BLOCK - .150 PITCH R/G, G, G, Y/G RoHS COMPLIANT	
FINISH:	MATERIAL	
FSCM 83330	Dialight 1501 ROUTE 34 SOUTH FARMINGDALE, NJ 07727	
SHEET 1 OF 1 FAMILY TABLE:		

X-ON Electronics

Largest Supplier of Electrical and Electronic Components

Click to view similar products for [LED Circuit Board Indicators](#) category:

Click to view products by [Dialight](#) manufacturer:

Other Similar products are found below :

[568-0701-841F](#) [LTL-4221NH129](#) [LTL-42DGNMHDP1](#) [HLMP1521101](#) [HLMP1523802F](#) [HLMP1700101F](#) [HLMP1700104F](#) [BHA-1564-G](#)
[SMF-HM1530YD-305](#) [SSF-LXH409SYSUGW](#) [AM2520EHSGD](#) [HLMP1301104F](#) [HLMP1385101F](#) [HLMP1421101](#) [HLMP1503103F](#)
[HLMP1503104F](#) [HLMP1700102F](#) [HLMP1700106F](#) [HLMP1700107F](#) [HLMP1790101F](#) [HLMP1790103F](#) [LTL-4211NHBP](#) [5390H3](#) [551-](#)
[2802F](#) [552-0794-810F](#) [553-0222-812F](#) [HT3-BC-T](#) [564-0700-831F](#) [WP59BLGEW](#) [103-3101-1231-403](#) [5502407811F](#) [550-3007-810F](#) [551-](#)
[3307MF](#) [552080-1](#) [573-2399-100F](#) [592-2020-302F](#) [5932-927-2701-3F](#) [SMF-HM1530SRD-509](#) [SSF-LXH100MID](#) [SSF-LXH2103SRSDRP](#)
[SSF-LXH555USBW](#) [WP937SB/4YGW](#) [WP937EB2EGW](#) [551-0312-802F](#) [553-0110-802F](#) [561-5501-050F](#) [6202T3-5VLC](#) [LTL-307G08A-D](#)
[CMD57164](#) [568-2231-313F](#)