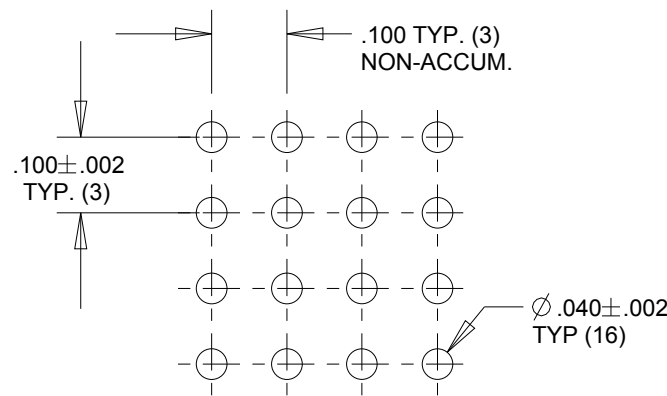
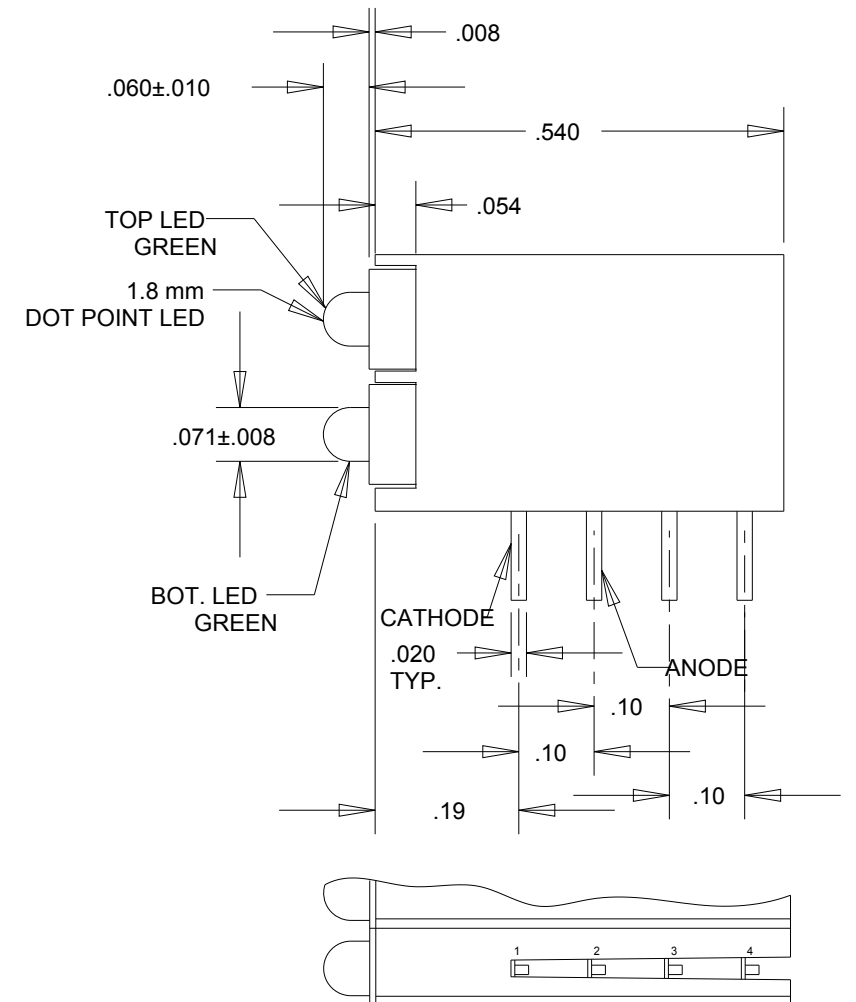
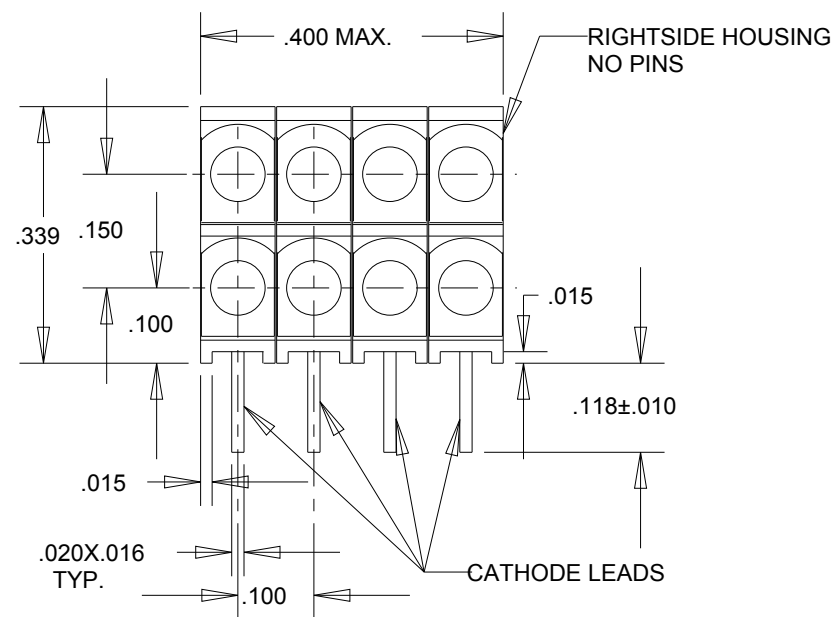
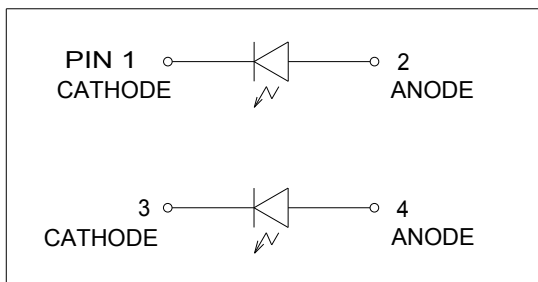
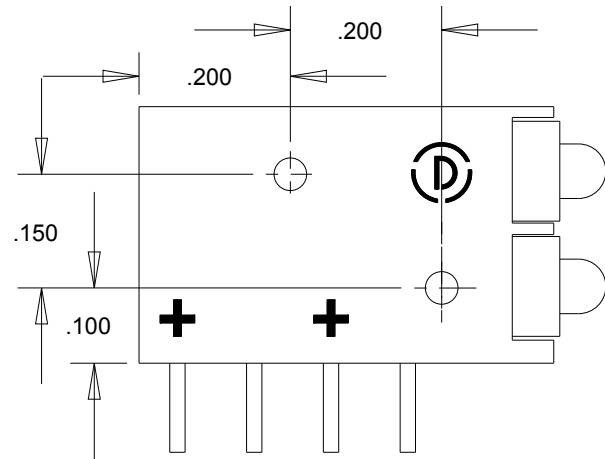


ASSY NO.	LED COLOR (DIFFUSED)	
	TOP POS.	BOTTOM POS.
571-0111-104F	RED	RED
571-0122-104F	GREEN	GREEN
571-0123-104F	GREEN	YELLOW
571-0132-104F	YELLOW	GREEN



ATTENTION:
OBSERVE PRECAUTIONS FOR
HANDLING ELECTROSTATIC
SENSITIVE DEVICES



RECOMMENDED P.C.B. HOLE PATTERN

NOTES:

- LED LEAD DIMENSIONS ARE MEASURED AT HOUSING EXIT.
- PIN NUMBERS FOR REFERENCE ONLY, DESIGNATION NON-EXISTENT ON PARTS.
- DIALIGHT PART NUMBER - 571-01XX-104F (SEE CHART FOR ALL PART NUMBERS).
- THIS ASSEMBLY CONTAINS ELECTROSTATIC DISCHARGE SENSITIVE DEVICES (ESDS). MAINTAIN ALL PRECAUTIONARY MEASURES DURING ASSEMBLY, HANDLING AND STORAGE IN ACCORDANCE WITH 1PC-A-610.

REV	REVISIONS	DRN	CKD	APP	DATE
A	NEW RELEASE	TWC			
B	ADDED P/N 571-0132-104F, REVISED POWER DISSIPATION & FORWARD VOLTAGE OF COLOR YELLOW & GREEN	LD		NO	7-17-19

OPERATING CHARACTERISTICS AT 25° C AMBIENT

CHARACTERISTICS	COLOR	MIN	TYP	MAX	UNITS	TEST CONDITIONS
LUMINOUS INTENSITY	RED	8	15		mcd	I _F = 10 mA
	YELLOW	5	8			
	GREEN	5	10			
FORWARD VOLTAGE	RED		2.0	2.5	V	I _F = 20 mA
	YELLOW		1.95	2.5		
	GREEN		2.0	2.5		
DOMINANT WAVELENGTH	RED		625		nm	
	YELLOW		588			
	GREEN		568			
PEAK EMISSION WAVELENGTH	RED		627		nm	
	YELLOW		590			
	GREEN		565			
VIEWING ANGLE Ø 1/2	RED		70		Degree	
	YELLOW		70			
	GREEN		70			
CAPACITANCE	RED		15		pF	V _F = 0 V, f = 1 MHz
	YELLOW		20			
	GREEN		15			

ABSOLUTE MAXIMUM RATING AT 25°C AMBIENT				RED	YELLOW	GREEN	UNITS
POWER DISSIPATION				105	75	62.5	mW
FORWARD CURRENT				30	30	25	mA
DERATING LINEAR FROM 25° C				.40		.33	mA/°C
REVERSE VOLTAGE				5			V
LEAD SOLDERING TEMPERATURE, 5 SEC., 1/16" FROM BODY				260			°C
OPERATING TEMPERATURE				-40 TO +85			°C
STORAGE TEMPERATURE				-40 TO +85			°C

RoHS Compliant 571-01XX-104F 2X4 Array CBI

Part Numbers with the "F" suffix ending are RoHS Compliant.
Example: 571-0123-104F
Packaging is marked with "RoHS Compliant" label or equivalent markings.
Parts can be wave soldered, dip soldered or hand soldered using typical lead-free soldering process with max 260°C temp. for 5 sec.

THIS DRAWING AND THE CONTENTS HEREIN ARE CONFIDENTIAL AND THE SOLE PROPERTY OF DIALIGHT CORP. REPRODUCTION OF THIS DRAWING OR CONSTRUCTION OF ANY PARTS WITHIN THIS DRAWING ARE FORBIDDEN WITHOUT THE WRITTEN CONSENT OF DIALIGHT CORP.		
SCALE: DRAWING SCALE	DRAWING NUMBER	REV
ALL DIM'S: INCH (mm)	C-17403	B
TOLERANCES: UNLESS OTHERWISE SPECIFIED	TITLE	
FRACTIONS: ±1/64	2mm CBI 2X4 ARRAY	
DECIMALS (.XX): ±.01	RoHS COMPLIANT	
DECIMALS (.XXX): ±.005	MATERIAL	
DECIMALS (.XXXX): ±.0005		
ANGLES: ±1°		
FINISH		
FSCM 83330	1501 ROUTE 34 SOUTH FARMINGDALE, NJ 07727 (732) 919-3119 www.dialight.com	
	SHEET 1 OF 1	FAMILY TABLE:

X-ON Electronics

Largest Supplier of Electrical and Electronic Components

Click to view similar products for [LED Circuit Board Indicators](#) category:

Click to view products by [Dialight](#) manufacturer:

Other Similar products are found below :

[568-0701-841F](#) [LTL-4221NH129](#) [LTL-42DGNMHDP1](#) [HLMP1521101](#) [HLMP1523802F](#) [HLMP1700101F](#) [HLMP1700104F](#) [BHA-1564-G](#)
[SMF-HM1530YD-305](#) [SSF-LXH409SYSUGW](#) [AM2520EHSGD](#) [HLMP1301104F](#) [HLMP1385101F](#) [HLMP1421101](#) [HLMP1503103F](#)
[HLMP1503104F](#) [HLMP1700102F](#) [HLMP1700106F](#) [HLMP1700107F](#) [HLMP1790101F](#) [HLMP1790103F](#) [LTL-4211NHBP](#) [5390H3](#) [551-](#)
[2802F](#) [552-0794-810F](#) [553-0222-812F](#) [HT3-BC-T](#) [564-0700-831F](#) [WP59BLGEW](#) [103-3101-1231-403](#) [5502407811F](#) [550-3007-810F](#) [551-](#)
[3307MF](#) [552080-1](#) [573-2399-100F](#) [592-2020-302F](#) [5932-927-2701-3F](#) [SMF-HM1530SRD-509](#) [SSF-LXH100MID](#) [SSF-LXH2103SRSDRP](#)
[SSF-LXH555USBW](#) [WP937SB/4YGW](#) [WP937EB2EGW](#) [551-0312-802F](#) [553-0110-802F](#) [561-5501-050F](#) [6202T3-5VLC](#) [LTL-307G08A-D](#)
[CMD57164](#) [568-2231-313F](#)