

PART NUMBER	LED COLOR	VOLTAGE	CURRENT TEST VALUE (mA)
586-1101-101F	RED	6 VDC	11
586-1102-101F	GREEN		
586-1103-101F	AMBER		
586-1105-101F	BLUE		
586-1106-101F	WHITE		
586-1101-103F	RED	14 VDC	11
586-1102-103F	GREEN		
586-1103-103F	AMBER		
586-1105-103F	BLUE		
586-1106-103F	WHITE		
586-1101-105F	RED	28 VDC	10
586-1102-105F	GREEN		
586-1103-105F	AMBER		
586-1105-105F	BLUE		
586-1106-105F	WHITE		

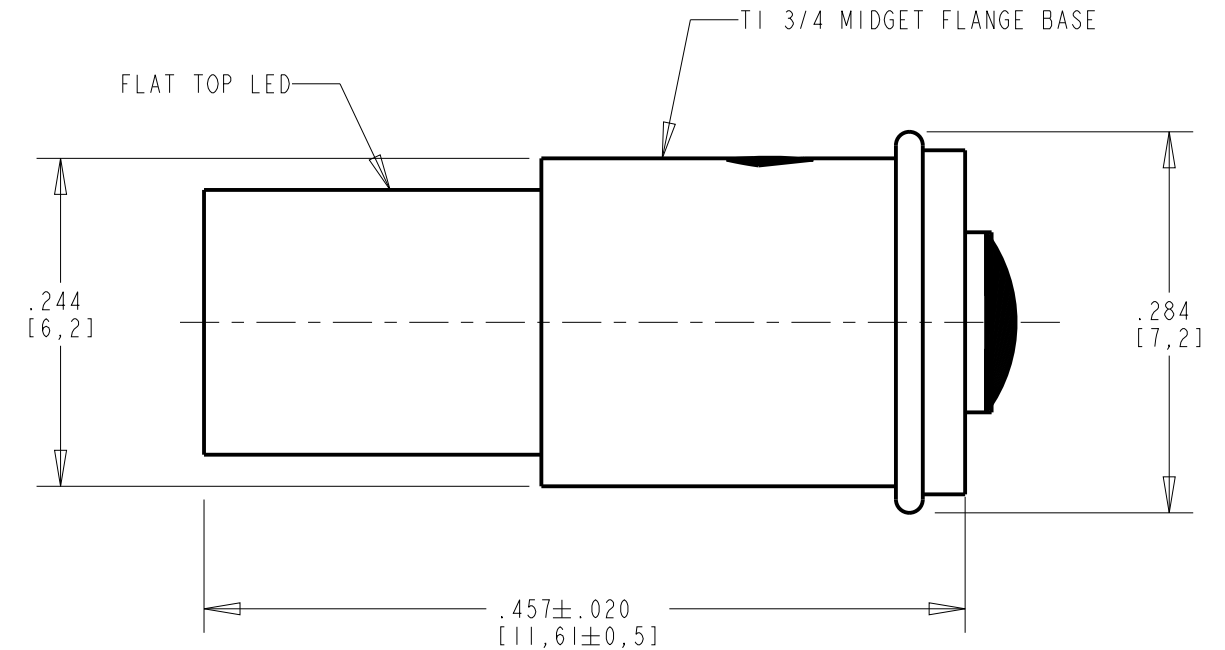
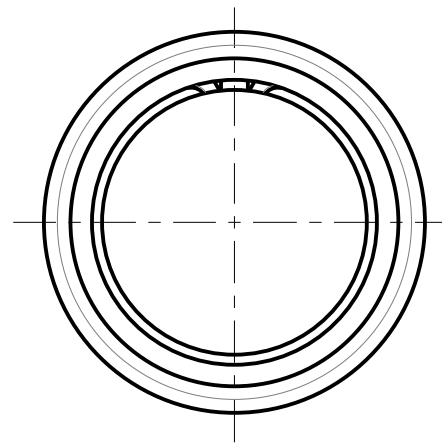
REV	ECN NO	REVISIONS	DRN	CKD	APP	DATE
A	---	NEW RELEASE	YIS	---	---	---
B	---	.457±.020 WAS .558, ADDED F SUFFIX TO ALL P/N'S	BP	---	SK	2-28-18

NOTES:

- ALL UNITS MUST BE PRINTED WITH DIALIGHT LOGO, VOLTAGE & DIALIGHT PART NO. PRINTING SHALL BE DONE ON HOUSING.
- CAUTION:** OBSERVE PRECAUTIONS IN HANDLING ELECTROSTATIC SENSITIVE DEVICES FOR EYE SAFETY DO NOT STARE DIRECTLY INTO THE LIGHT BEAM OF THESE LED DEVICES AT CLOSE RANGE.
- DIALIGHT DRAWING NUMBER: 586-110X-10XF

OPERATING CHARACTERISTICS AT 25° C AMBIENT

LED CHARACTERISTICS	COLOR	MIN.	TYP.	MAX.	UNITS	TEST CONDITIONS
LUMINOUS INTENSITY	RED	550		1100	mcd	I _f = 20 mA
	GREEN	880		1500		
	AMBER	300		550		
	BLUE	300		550		
	WHITE	700	960	1500		
FORWARD VOLTAGE	RED	1.7		2.6	V	I _f = 20 mA
	GREEN		3.2	3.8		
	AMBER	1.7		2.6		
	BLUE		3.5	4.0		
	WHITE	2.8	3.2	3.4		
REVERSE VOLTAGE	RED	5			V	I _f = 100 μA
	GREEN	5				
	AMBER	5				
	BLUE	5				
	WHITE	5				I _f = 10 μA
PEAK WAVELENGTH	RED				nm	I _f = 20 mA
	GREEN		518			
	AMBER					
	BLUE					
DOMINANT WAVELENGTH	RED		625		nm	
	GREEN	515	525	535		
	AMBER		595			
	BLUE	465	470	471		
COLOR COORDINATE	X		0.31			I _f = 20 mA
	Y		0.32			
VIEWING ANGLE 2 θ 1/2	RED		100		°C	
	GREEN		85			
	AMBER		100			
	BLUE		80			
	WHITE		90			



ABSOLUTE MAXIMUM RATING AT 25° C AMBIENT

CHARACTERISTICS	RED	GREEN	AMBER	BLUE	WHITE	UNITS
POWER DISSIPATION	72	114	120	120	108	mW
DC FORWARD CURRENT	30	30	50	30	30	mA
PEAK PULSED FORWARD CURRENT	60	100	90	100	100	mA
REVERSE VOLTAGE			5			V
SOLDER TEMPERATURE 260°C MAX	FOR 3 SEC.	FOR 5 SEC.	FOR 3 SEC.	FOR 3 SEC.	FOR 5 SEC.	
OPERATING TEMPERATURE	-40 TO +85	-30 TO +85	-40 TO +85	-20 TO +80	-40 TO +85	°C
STORAGE TEMPERATURE	-40 TO +100	-40 TO +100	-40 TO +100	-30 TO +100	-35 TO +100	°C

THIS DRAWING AND THE CONTENTS HEREIN ARE CONFIDENTIAL AND THE SOLE PROPERTY OF DIALIGHT CORP. REPRODUCTION OF THIS DRAWING OR CONSTRUCTION OF ANY PARTS WITHIN THIS DRAWING ARE FORBIDDEN WITHOUT THE WRITTEN CONSENT OF DIALIGHT CORP.

DIALIGHT CORP. INTERNAL REFERENCE ONLY = 3D MODEL : C-17119-A.8

SCALE: 7.000	DRAWING NUMBER	REV
ALL DIM'S: INCH (mm)	C-17119	B
TOLERANCES: UNLESS OTHERWISE SPECIFIED	TITLE TI 3/4 MIDGET FLANGE	
FRACTIONS: ±1/64 DECIMALS (.XX): ±.01 DECIMALS (.XXX): ±.005 DECIMALS (.XXXX): ±.0005 ANGLES: ±1°	MATERIAL	
FINISH		
FSCM 83330	SHEET 1 OF 1	FAMILY TABLE:

1501 ROUTE 34 SOUTH
FARMINGDALE, NJ 07727
(732) 919-3119
www.dialight.com

X-ON Electronics

Largest Supplier of Electrical and Electronic Components

Click to view similar products for [LED Replacement Lamps - Based LEDs](#) category:

Click to view products by [Dialight](#) manufacturer:

Other Similar products are found below :

[LAPD-1A](#) [LAPD-1R](#) [LAPD-2R](#) [LAPD-6W](#) [LSTD-M4S](#) [SSP-1156B153S12](#) [SSP-1157B156U12](#) [SSP-LXS110818BA](#) [560-0101F](#) [560-0103F](#)
[LAPD-1W](#) [LAPD-6R](#) [560-0104F](#) [585-1113](#) [SSP-LXC1283S24](#) [SSP-3MB96U12G](#) [SLL-05EY](#) [1.90.690.684/0000](#) [560-0203F](#) [586-2206-](#)
[205F](#) [SSP-LXS1826U16A](#) [LATD-2JW](#) [24LS4-G1](#) [24LS4-R1](#) [MF200-NFW5H](#) [MB403-W60-CW-BP](#) [387LP-A](#) [1819LS2-G-CG](#) [387LP-R](#)
[387LP-B](#) [387LP-W](#) [387LP-G](#) [6S6LS155-CWR](#) [130MBLS-G-CG](#) [5000404LAMP](#) [E10SB12A](#) [E10SB130A](#) [E10SB24A](#) [E10SG12A](#)
[E10SG130A](#) [E10SG24A](#) [E10SR12A](#) [E10SR130A](#) [E10SR24A](#) [E10SW12A](#) [E10SY12A](#) [E10SY130A](#) [585-1425F](#) [521-9208F](#) [586-0012-806F](#)