

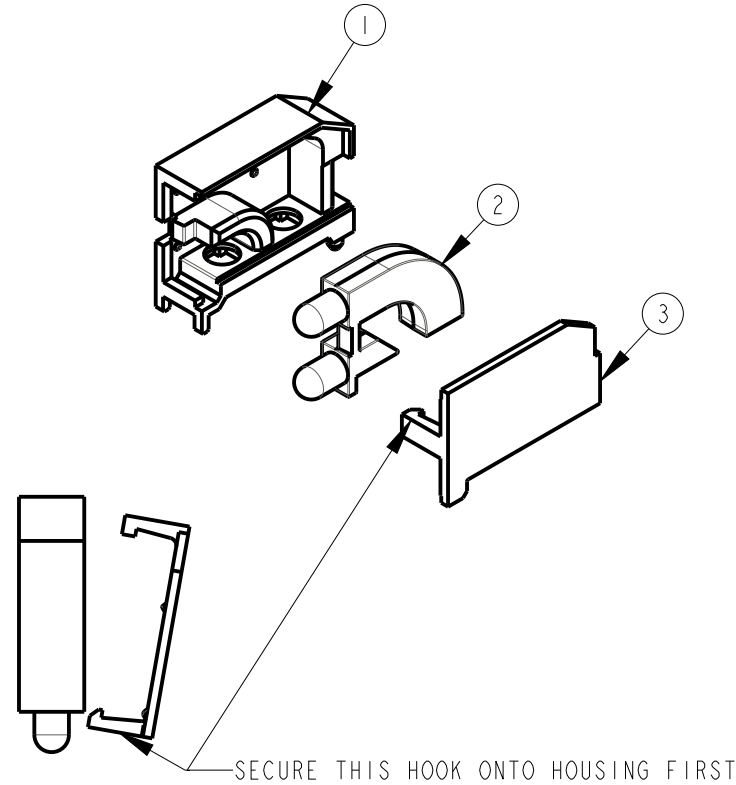
## RoHS COMPLIANT 592-0002F

Part Numbers with the "F" suffix ending are RoHS Compliant. Packaging is marked with "RoHS Compliant" label or equivalent markings. These parts can be used with RoHS reflow profile. Parts can be wave soldered, dip soldered or hand soldered using typical lead-free soldering process with max 260°C temp. for 5 sec.

| REV | ECN NO | REVISIONS   | DRN | CKD | APP  | DATE     |
|-----|--------|-------------|-----|-----|------|----------|
| A   | —      | NEW RELEASE | WFB | JTD | N.O. | 10-15-13 |

### ASSEMBLY INSTRUCTIONS


1. PLACE ITEM 2 INTO ITEM 1.
2. ATTACH ITEM 3 ONTO ITEM 1 BY SECURING THE HOOK IN THE FRONT OF ITEM 1 FIRST, THEN SNAP THE BACK HOOK TO COMPLETE THE ASSEMBLY.



#### NOTES:

1. DIALIGHT PART NUMBER; 592-0002F.
2. DESIGNED TO BE USED WITH PLCC2 OR PLCC4 LEADS. (LEDS NOT INCLUDED IN THIS KIT)
3. COMPONENTS CANNOT BE PURCHASED SEPERATELY, MUST BE PURCHASED AS KIT.

| ITEM | QTY | DESCRIPTION |
|------|-----|-------------|
| 3    | 10  | COVER       |
| 2    | 10  | LENS        |
| 1    | 10  | HOUSING     |

|   |  |          |
|---|--|----------|
| THIS DRAWING AND THE CONTENTS HEREIN ARE CONFIDENTIAL AND THE SOLE PROPERTY OF DIALIGHT. REPRODUCTION OF THIS DRAWING OR CONSTRUCTION OF ANY PARTS WITHIN THIS DRAWING ARE FORBIDDEN WITHOUT THE WRITTEN CONSENT OF DIALIGHT. |  |          |
| SCALE: 6.000<br>ALL DIM'S IN: INCHES (MM)   | DRAWING NUMBER<br>C-18070  | REV<br>A |
| TOLERANCES:<br>UNLESS OTHERWISE SPECIFIED<br>FRACTIONS: ±1/64<br>DECIMALS (.XX): ±.01<br>DECIMALS (.XXX): ±.005<br>DECIMALS (.XXXX): ±.0005<br>ANGLES: ±1°  | TITLE<br>BI-LEVEL PRISM KIT  |          |
| FINISH:   | MATERIAL   |          |
| FSCM 83330  |  1501 ROUTE 34 SOUTH<br>FARMINGDALE, NJ 07727 |          |
| SHEET 1 OF 1 FAMILY TABLE:  |  |          |

## X-ON Electronics

Largest Supplier of Electrical and Electronic Components

*Click to view similar products for [LED Circuit Board Indicators](#) category:*

*Click to view products by [Dialight](#) manufacturer:*

Other Similar products are found below :

[568-0200-132F](#) [568-0701-841F](#) [568-0734-832F](#) [569-0312-300F](#) [591-2001-107F](#) [592-2222-302F](#) [592-2424-302F](#) [LTL-4221NH129](#) [LTL-42DGNMHDP1](#) [LTM-260-5HT](#) [H131CSRT-120](#) [HLMP1503108F](#) [HLMP1521101](#) [HLMP1523802F](#) [HLMP1700101F](#) [HLMP1700104F](#) [HLMP1790105F](#) [BHA-1564-G](#) [SMF-HM1530YD-305](#) [SSF-LXH103SUGD-04](#) [AM2520EHSGD](#) [HLMP1301104F](#) [HLMP1385101F](#) [HLMP1421101](#) [HLMP1503103F](#) [HLMP1503104F](#) [HLMP1700102F](#) [HLMP1700106F](#) [HLMP1700107F](#) [HLMP1790101F](#) [HLMP1790103F](#) [LTL-4211NHBP](#) [5320F7](#) [5330H7](#) [5350T7](#) [5352T1-5VLC](#) [5352T5-5VLC](#) [5370T7LC](#) [550-1112F](#) [550-3107-010F](#) [551-0206-003F](#) [551-0207-815F](#) [551-0212-801F](#) [551-2802F](#) [552-0794-810F](#) [552-0821F](#) [552-6033-200F](#) [553-0001-808F](#) [553-0122-818F](#) [553-0171F](#)