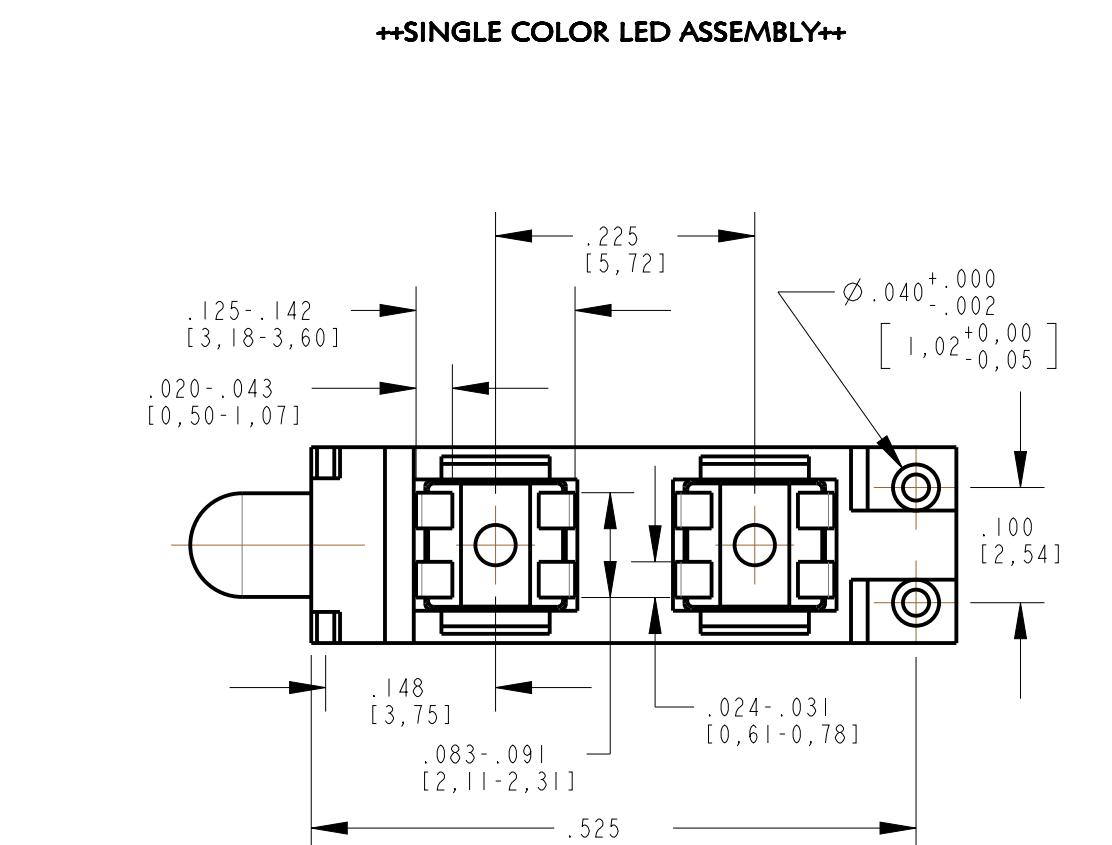
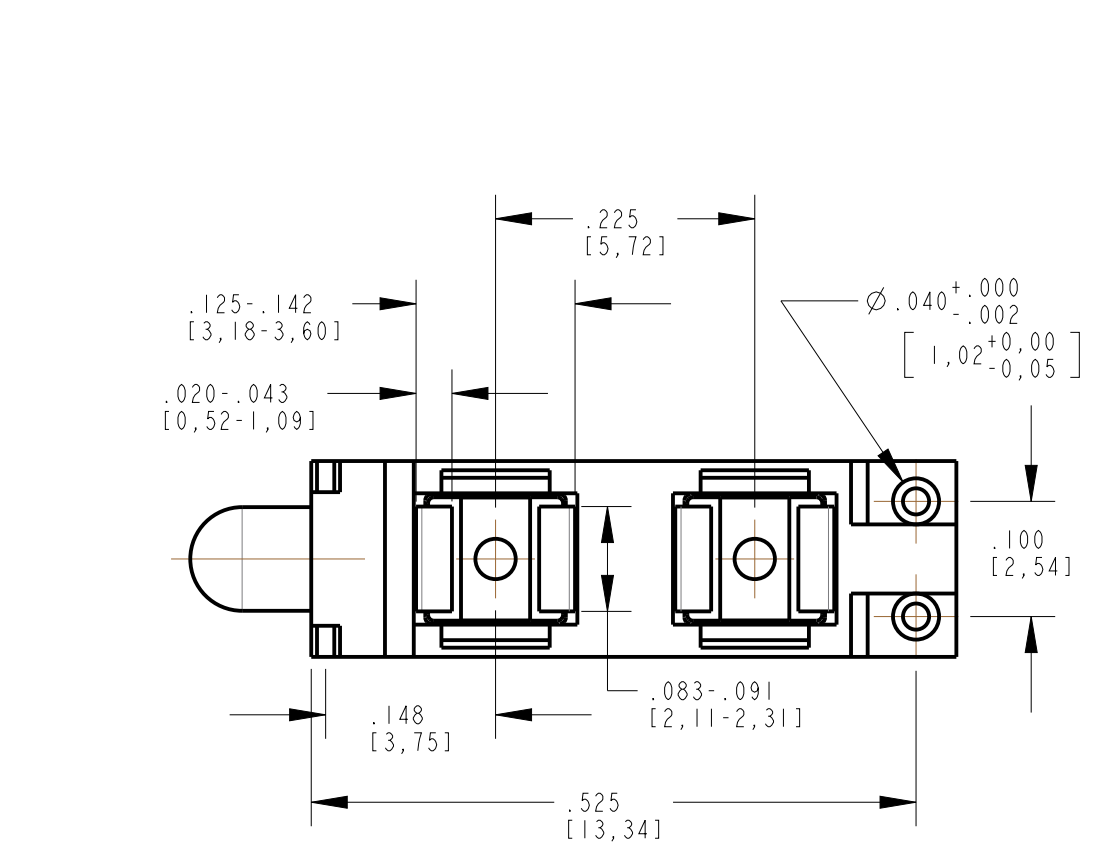
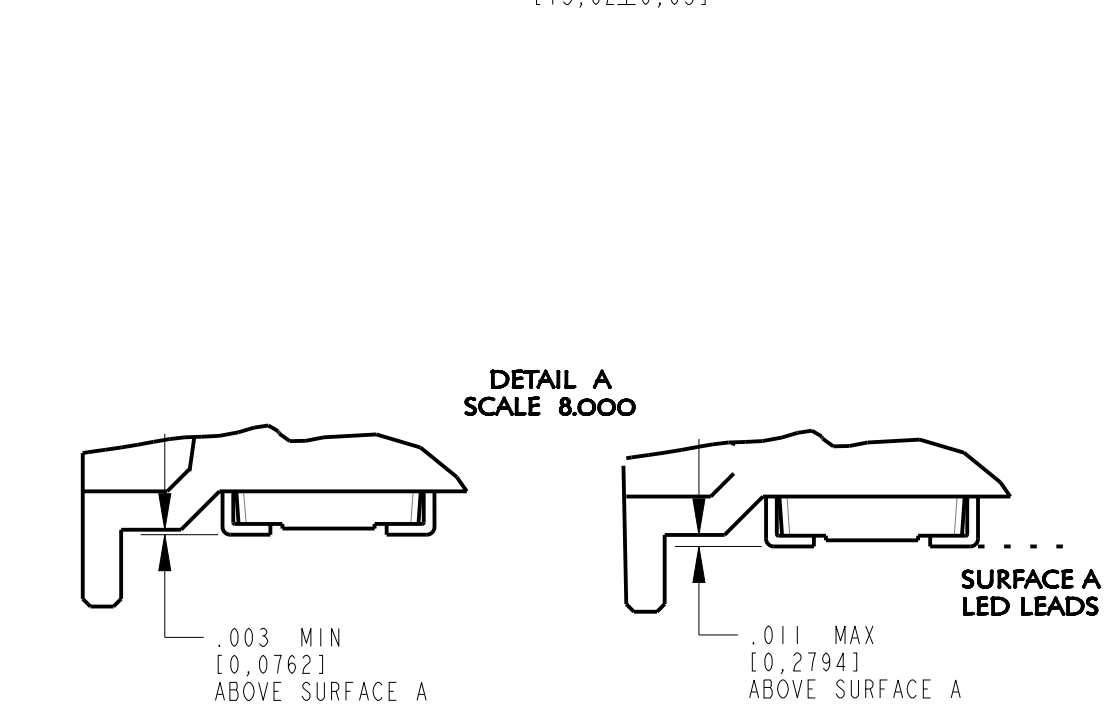
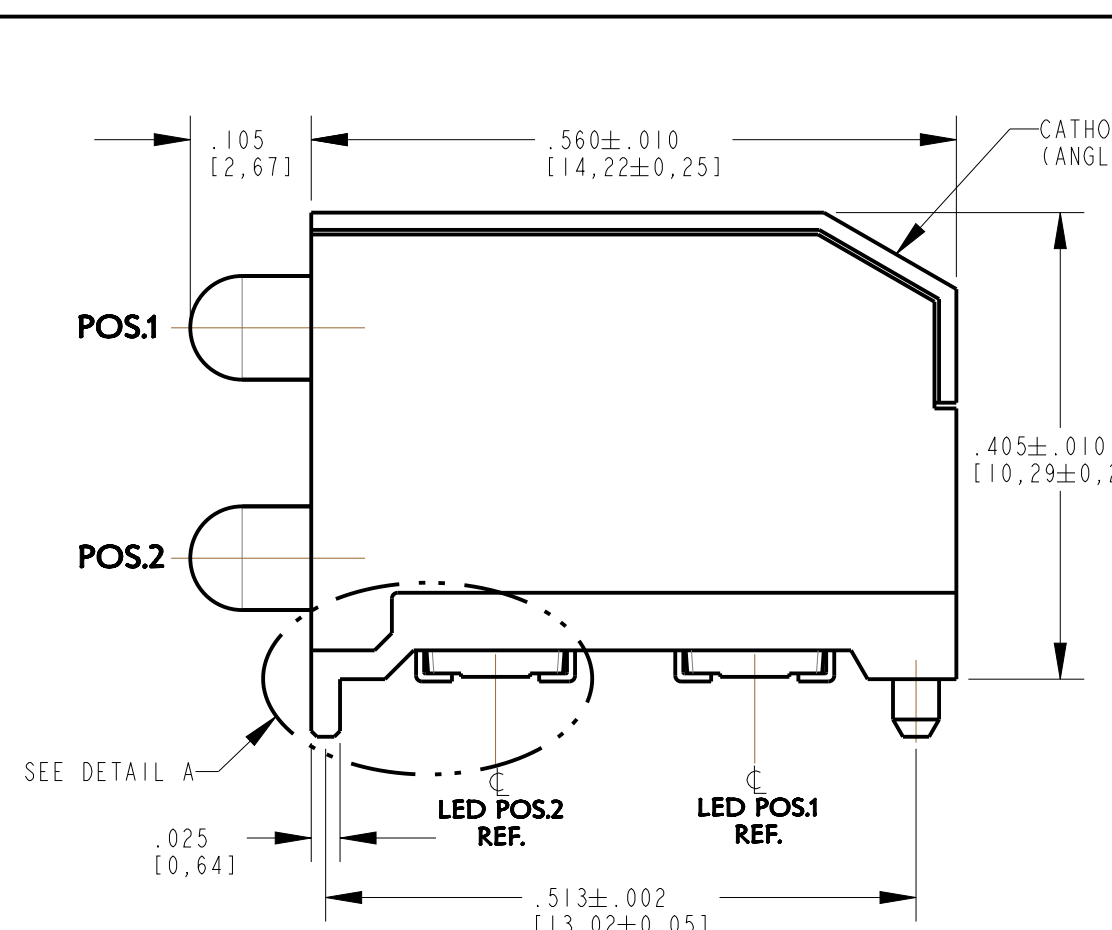
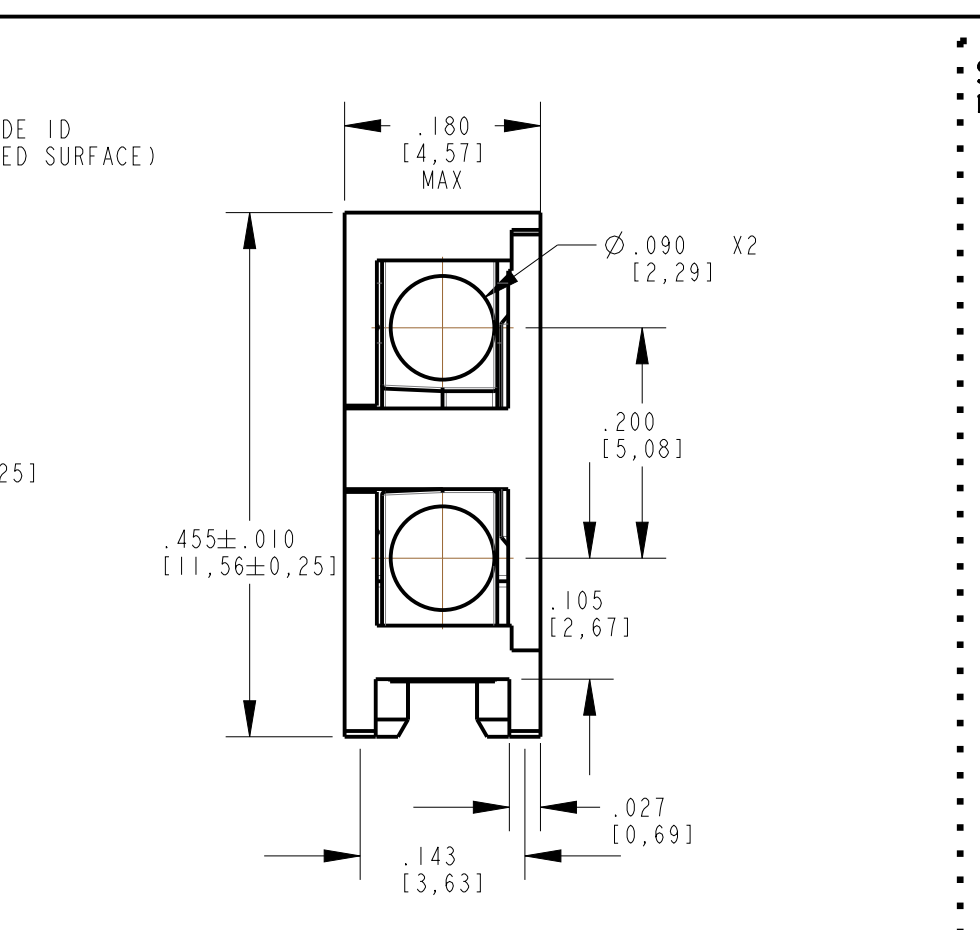
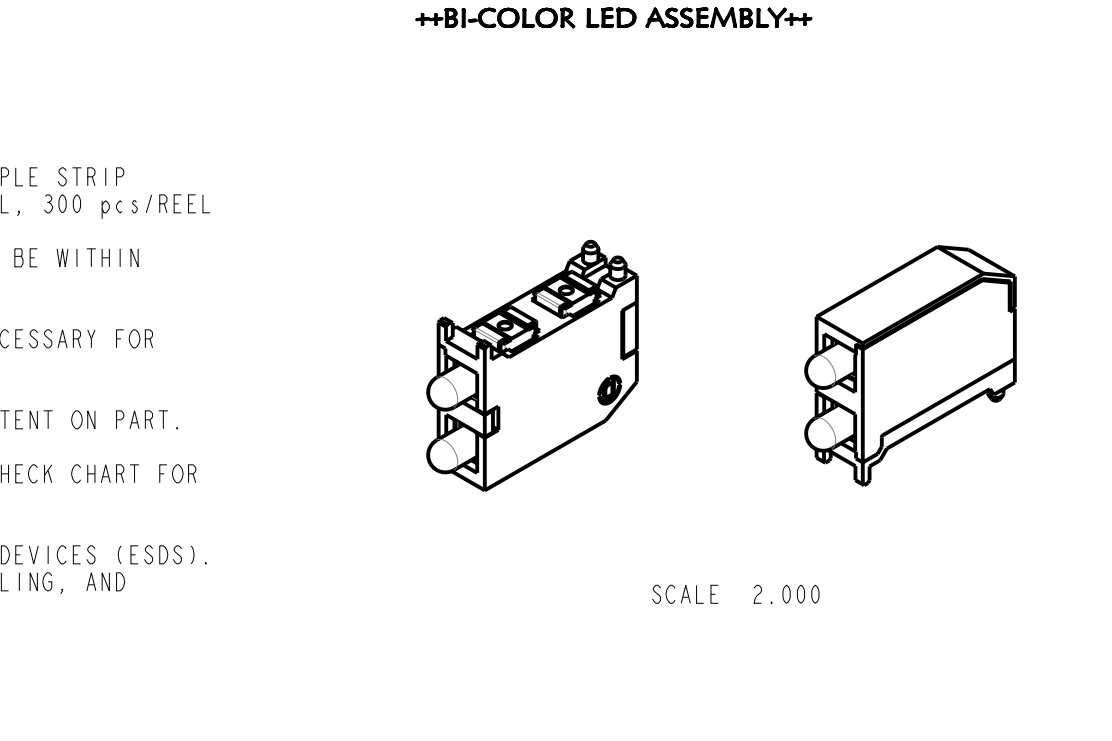


DIALIGHT PART NUMBER	PACKAGING	POSITION 1	POSITION 2	MSL
592-1010-302F	SAMPLE STRIP	RED [2mA]	RED [2mA]	2
592-1010-313F	13" REEL	RED [2mA]	RED [2mA]	2
592-1313-302F	SAMPLE STRIP	GREEN [2mA]	GREEN [2mA]	2
592-1313-313F	13" REEL	GREEN [2mA]	GREEN [2mA]	2
592-1314-302F	SAMPLE STRIP	GREEN [2mA]	YELLOW [2mA]	2
592-1314-313F	13" REEL	GREEN [2mA]	YELLOW [2mA]	2
592-1410-302F	SAMPLE STRIP	YELLOW [2mA]	RED [2mA]	2
592-1410-313F	13" REEL	YELLOW [2mA]	RED [2mA]	2
592-1414-302F	SAMPLE STRIP	YELLOW [2mA]	YELLOW [2mA]	2
592-1414-313F	13" REEL	YELLOW [2mA]	YELLOW [2mA]	2
592-1515-302F	SAMPLE STRIP	ORANGE [2mA]	ORANGE [2mA]	2
592-1515-313F	13" REEL	ORANGE [2mA]	ORANGE [2mA]	2
592-2020-302F	SAMPLE STRIP	RED [HI.EFF.]	RED [HI.EFF.]	2
592-2020-313F	13" REEL	RED [HI.EFF.]	RED [HI.EFF.]	2
592-2023-302F	SAMPLE STRIP	RED [HI.EFF.]	GREEN [2mA]	2
592-2023-313F	13" REEL	RED [HI.EFF.]	GREEN [2mA]	2
592-2121-302F	SAMPLE STRIP	RED [AlGaAs]	RED [AlGaAs]	2
592-2121-313F	13" REEL	RED [AlGaAs]	RED [AlGaAs]	2
592-2124-302F	SAMPLE STRIP	RED [AlGaAs]	YELLOW [2mA]	2
592-2124-313F	13" REEL	RED [AlGaAs]	YELLOW [2mA]	2
592-2126-302F	SAMPLE STRIP	RED [AlGaAs]	BLUE [InGaN]	2
592-2126-313F	13" REEL	RED [AlGaAs]	BLUE [InGaN]	2
592-2135-302F	SAMPLE STRIP	RED/GRN/BLUE	RED	2a
592-2135-313F	13" REEL	RED/GRN/BLUE	RED	2a
592-2222-302F	SAMPLE STRIP	GREEN [HI.INT.]	GREEN [HI.INT.]	2
592-2222-313F	13" REEL	GREEN [HI.INT.]	GREEN [HI.INT.]	2
592-2320-302F	SAMPLE STRIP	GREEN	GREEN	2
592-2320-313F	13" REEL	GREEN	GREEN	2
592-2323-302F	SAMPLE STRIP	GREEN	GREEN	2
592-2323-313F	13" REEL	GREEN	GREEN	2
592-2324-302F	SAMPLE STRIP	GREEN	YELLOW	2
592-2324-313F	13" REEL	GREEN	YELLOW	2
592-2326-302F	SAMPLE STRIP	GREEN	BLUE [InGaN]	2
592-2326-313F	13" REEL	GREEN	BLUE [InGaN]	2
592-2420-302F	SAMPLE STRIP	YELLOW	RED [HI.EFF.]	2
592-2420-313F	13" REEL	YELLOW	RED [HI.EFF.]	2
592-2422-302F	SAMPLE STRIP	YELLOW	GREEN [HI.INT.]	2
592-2422-313F	13" REEL	YELLOW	GREEN [HI.INT.]	2
592-2423-302F	SAMPLE STRIP	YELLOW	GREEN	2
592-2423-313F	13" REEL	YELLOW	GREEN	2
592-2424-302F	SAMPLE STRIP	YELLOW	YELLOW	2
592-2424-313F	13" REEL	YELLOW	YELLOW	2
592-2429-302F	SAMPLE STRIP	YELLOW	GREEN [InGaN]	2
592-2429-313F	13" REEL	YELLOW	GREEN [InGaN]	2
592-2436-302F	SAMPLE STRIP	YELLOW	ORANGE/GREEN	2
592-2436-313F	13" REEL	YELLOW	ORANGE/GREEN	2
592-2525-302F	SAMPLE STRIP	ORANGE	ORANGE	2
592-2525-313F	13" REEL	ORANGE	ORANGE	2
592-2626-302F	SAMPLE STRIP	BLUE [InGaN]	BLUE [InGaN]	2
592-2626-313F	13" REEL	BLUE [InGaN]	BLUE [InGaN]	2
592-2627-302F	SAMPLE STRIP	BLUE [InGaN]	YELLOW	2
592-2627-313F	13" REEL	BLUE [InGaN]	YELLOW	2
592-2628-302F	SAMPLE STRIP	BLUE [InGaN]	WHITE	2
592-2628-313F	13" REEL	BLUE [InGaN]	WHITE	2
592-2631-302F	SAMPLE STRIP	BLUE [InGaN]	YELLOW/GREEN	2
592-2631-313F	13" REEL	BLUE [InGaN]	YELLOW/GREEN	2
592-2727-302F	SAMPLE STRIP	YELLOW [AlInGaP]	YELLOW [AlInGaP]	2
592-2727-313F	13" REEL	YELLOW [AlInGaP]	YELLOW [AlInGaP]	2
592-2729-302F	SAMPLE STRIP	YELLOW [AlInGaP]	GREEN [InGaN]	2a
592-2729-313F	13" REEL	YELLOW [AlInGaP]	GREEN [InGaN]	2a
592-2826-302F	SAMPLE STRIP	WHITE	BLUE [InGaN]	2
592-2826-313F	13" REEL	WHITE	BLUE [InGaN]	2
592-2828-302F	SAMPLE STRIP	WHITE	WHITE	2
592-2828-313F	13" REEL	WHITE	WHITE	2
592-2926-302F	SAMPLE STRIP	TRUE GREEN [InGaN]	BLUE [InGaN]	2a
592-2926-313F	13" REEL	TRUE GREEN [InGaN]	BLUE [InGaN]	2a
592-2927-302F	SAMPLE STRIP	GREEN [InGaN]	YELLOW [AlInGaP]	2a
592-2927-313F	13" REEL	GREEN [InGaN]	YELLOW [AlInGaP]	2a
592-3024-302F	SAMPLE STRIP	RED/GREEN	YELLOW	2
592-3024-313F	13" REEL	RED/GREEN	YELLOW	2
592-2929-302F	SAMPLE STRIP	GREEN [InGaN]	GREEN [InGaN]	2a
592-2929-313F	13" REEL	GREEN [InGaN]	GREEN [InGaN]	2a
592-3030-302F	SAMPLE STRIP	RED/GREEN	RED/GREEN	2
592-3030-313F	13" REEL	RED/GREEN	RED/GREEN	2
592-3031-302F	SAMPLE STRIP	RED/GREEN	YELLOW/GREEN	2
592-3031-313F	13" REEL	RED/GREEN	YELLOW/GREEN	2
592-3032-302F	SAMPLE STRIP	RED/GREEN	RED/YELLOW	2
592-3032-313F	13" REEL	RED/GREEN	RED/YELLOW	2
592-3034-302F	SAMPLE STRIP	RED/GREEN	RED/BLUE	2a
592-3034-313F	13" REEL	RED/GREEN	RED/BLUE	2a
592-3036-302F	SAMPLE STRIP	RED/GREEN	ORANGE/GREEN	3
592-3036-313F	13" REEL	RED/GREEN	ORANGE/GREEN	3
592-3126-302F	SAMPLE STRIP	YELLOW/GREEN	BLUE [InGaN]	2
592-3126-313F	13" REEL	YELLOW/GREEN	BLUE [InGaN]	2
592-3131-302F	SAMPLE STRIP	YELLOW/GREEN	YELLOW/GREEN	2
592-3131-313F	13" REEL	YELLOW/GREEN	YELLOW/GREEN	2
592-3232-302F	SAMPLE STRIP	RED/YELLOW	RED/YELLOW	2
592-3232-313F	13" REEL	RED/YELLOW	RED/YELLOW	2
592-3236-302F	SAMPLE STRIP	RED/YELLOW	ORANGE/GREEN	2
592-3236-313F	13" REEL	RED/YELLOW	ORANGE/GREEN	2
592-3520-302F	SAMPLE STRIP	RED/GRN/BLUE	RED	2a
592-3520-313F	13" REEL	RED/GRN/BLUE	RED	2a
592-3528-302F	SAMPLE STRIP	RED/GRN/BLUE	WHITE	2a
592-3528-313F	13" REEL	RED/GRN/BLUE	WHITE	2a
592-3530-302F	SAMPLE STRIP	RED/GRN/BLUE	RED/GREEN	2a
592-3530-313F	13" REEL	RED/GRN/BLUE	RED/GREEN	2a
592-3531-302F	SAMPLE STRIP	RED/GRN/BLUE	YELLOW/GREEN	2a
592-3531-313F	13" REEL	RED/GRN/BLUE	YELLOW/GREEN	2a
592-3535-302F	SAMPLE STRIP	RED/GRN/BLUE	RED/GRN/BLUE	2a
592-3535-313F	13" REEL	RED/GRN/BLUE	RED/GRN/BLUE	2a



- NOTES:
- DIALIGHT PART NUMBERS: 592-XXXX-3XXF.
  - ...-302F SUFFIX MEANS PARTS ARE SUPPLIED ON A 10 PCS. SAMPLE STRIP. ...-313F SUFFIX MEANS PARTS ARE SUPPLIED ON A 13 INCH REEL, 300 PCS/REEL.
  - FRONT AND REAR TERMINALS OF EACH LED OF THE ASSEMBLY TO BE WITHIN .005" COPLANARITY.
  - STORAGE CONDITIONS FOR TAPED PRODUCT: RE-TAPING MAY BE NECESSARY FOR PRODUCT STORED MORE THAN TWELVE MONTHS.
  - PIN NUMBERS ARE FOR REFERENCE ONLY, DESIGNATION NON-EXISTENT ON PART.
  - MOISTURE SENSITIVITY LEVEL LABEL WILL BE PLACED ON BAG. CHECK CHART FOR PROPER LEVEL.
  - THIS ASSEMBLY CONTAINS ELECTROSTATIC DISCHARGE SENSITIVE DEVICES (ESDS). MAINTAIN ALL PRECAUTIONARY MEASURES DURING ASSEMBLY, HANDLING, AND STORAGE IN ACCORDANCE WITH IPC-A-610.
  - FLAMMABILITY RATING HOUSING: UL-94-V0 SILICONE LENS AND LED: UL-94HB



OPERATING CHARACTERISTICS AT 25°C AMBIENT - SINGLE COLOR LEDS

COLOR	LUMINOUS INTENSITY (mcd)		DOMINANT WAVELENGTH (nm)			PEAK WAVELENGTH (nm)		FORWARD VOLTAGE (V)		REVERSE CURRENT (µA)	
	2mA	10mA	MIN	TYP	MAX	TYP	TYP	MAX	2mA	10mA	MAX
10	RED	3.8	9.8	624	630	636	643	1.8	2.2	10 @ V <sub>F</sub> =12 V	
13	GREEN	3.2	10.1	566	570	575	572	1.8	2.2	10 @ V <sub>F</sub> =12 V	
14	YELLOW	4.4	11.3	580	587	594	591	1.8	2.2	10 @ V <sub>F</sub> =12 V	
15	ORANGE	5.6	14.0	600	606	609	610	1.8	2.2	10 @ V <sub>F</sub> =12 V	

OPERATING CHARACTERISTICS AT 25°C AMBIENT - SINGLE COLOR LEDS

COLOR	LUMINOUS INTENSITY (mcd)	TEST CURRENT (mA)	DOMINANT WAVELENGTH (nm)			PEAK WAVELENGTH (nm)		FORWARD VOLTAGE (V)		REVERSE CURRENT (µA)	
			MIN	TYP	MAX	TYP	TYP	MAX	TYP	MAX	
20	RED [HI.EFF.]	3	10	622	628	634	635	2.0	2.5	10 @ V <sub>F</sub> =12 V	
21	RED [AlGaAs]	9	10	—	645	—	660	1.75	2.5	10 @ V <sub>F</sub> =12 V	
22	GREEN [HI.INT.]	6	10	564	570	576	572	2.0	2.5	10 @ V <sub>F</sub> =12 V	
23	GREEN	4	10	564	570	576	572	2.0	2.5	10 @ V <sub>F</sub> =12 V	
24	YELLOW	2	10	580	587	595	586	2.0	2.5	10 @ V <sub>F</sub> =5 V	
25	ORANGE	2	10	600	606	609	610	2.0	2.5	10 @ V <sub>F</sub> =5 V	
26	BLUE [InGaN]	6	10	462	465	468	428	3.5	4.1	10 @ V <sub>F</sub> =12 V	
27	YELLOW [AlInGaP]	60	20	580	587	595	591	2.0	2.4	10 @ V <sub>F</sub> =12 V	
28	WHITE	34	10	X: 285; Y: 259	33; 367; 33; 401	—	—	3.1	3.7	10 @ V <sub>F</sub> =5 V	
29	GREEN [InGaN]	56	20	—	525	—	523	3.7	4.3	10 @ V <sub>F</sub> =12 V	

#30 & #31 OPERATING CHARACTERISTICS AT 25°C AMBIENT

LED COLOR	LUMINOUS INTENSITY (mcd)	FORWARD VOLTAGE (V)	REVERSE CURRENT (µA)	DOMINANT WAVELENGTH (nm)	PEAK WAVELENGTH (nm)	TEST CURRENT (mA)	
						MIN	TYP
RED/GRN	RED	11	—	1.8	2.2	0.01	10
RED/GRN	GREEN	5	—	566	570	575	572
YLV/GRN	YELLOW	14	—	1.8	2.2	0.01	10
YLV/GRN	GREEN	5	—	566	570	575	572

OPERATING CHARACTERISTICS AT 25°C AMBIENT - RED/YELLOW BI-COLOR LED

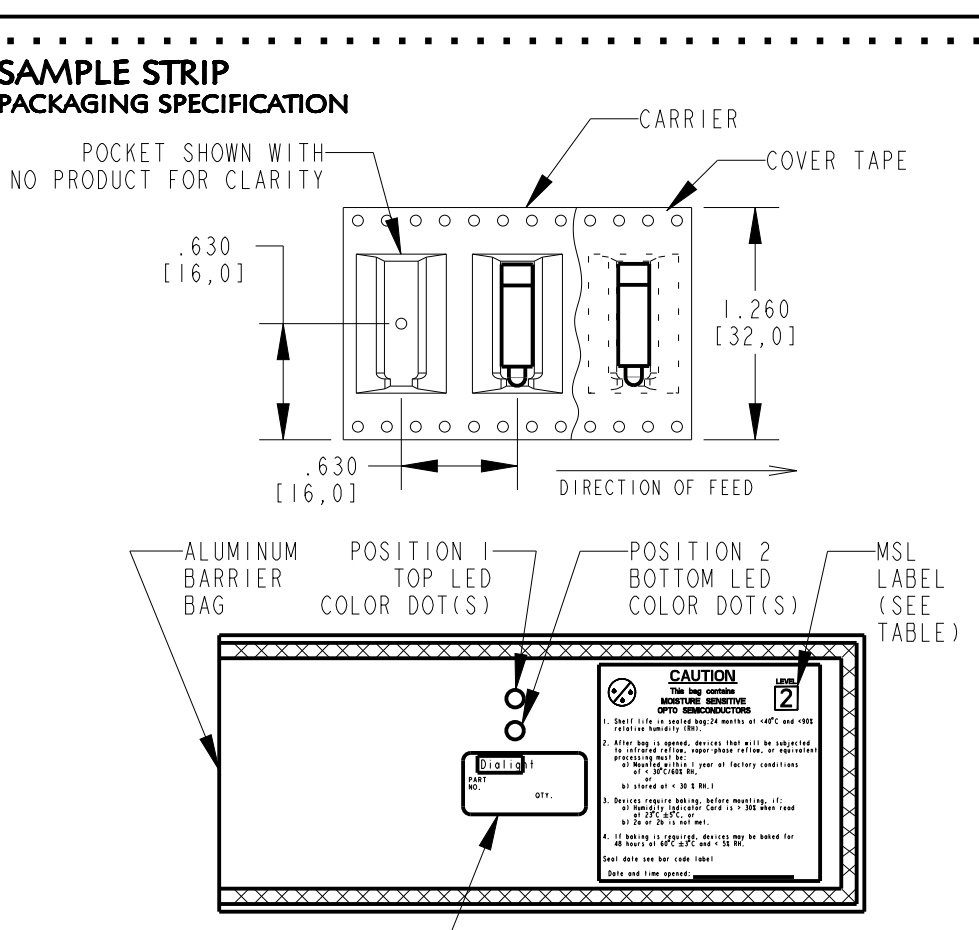
COLOR	LUMINOUS INTENSITY (mcd)	TEST CURRENT (mA)	DOMINANT WAVELENGTH (nm)			PEAK WAVELENGTH (nm)		FORWARD VOLTAGE (V)	
			MIN	TYP	MAX	TYP	TYP	MAX	
RED	21	20	627	633	639	645	2.0	2.3	
YELLOW	34	20	580	587	595	591	2.0	2.4	

OPERATING CHARACTERISTICS AT 25°C AMBIENT - RED/BLUE BI-COLOR LED

COLOR	LUMINOUS INTENSITY (mcd)	TEST CURRENT (mA)	DOMINANT WAVELENGTH (nm)			PEAK WAVELENGTH (nm)		FORWARD VOLTAGE (V)	
			MIN	TYP	MAX	TYP	TYP	MAX	
RED	21	10	620	625	630	—	1.9	2.2	
BLUE	24	10	465	467	470	—	3.0	3.2	

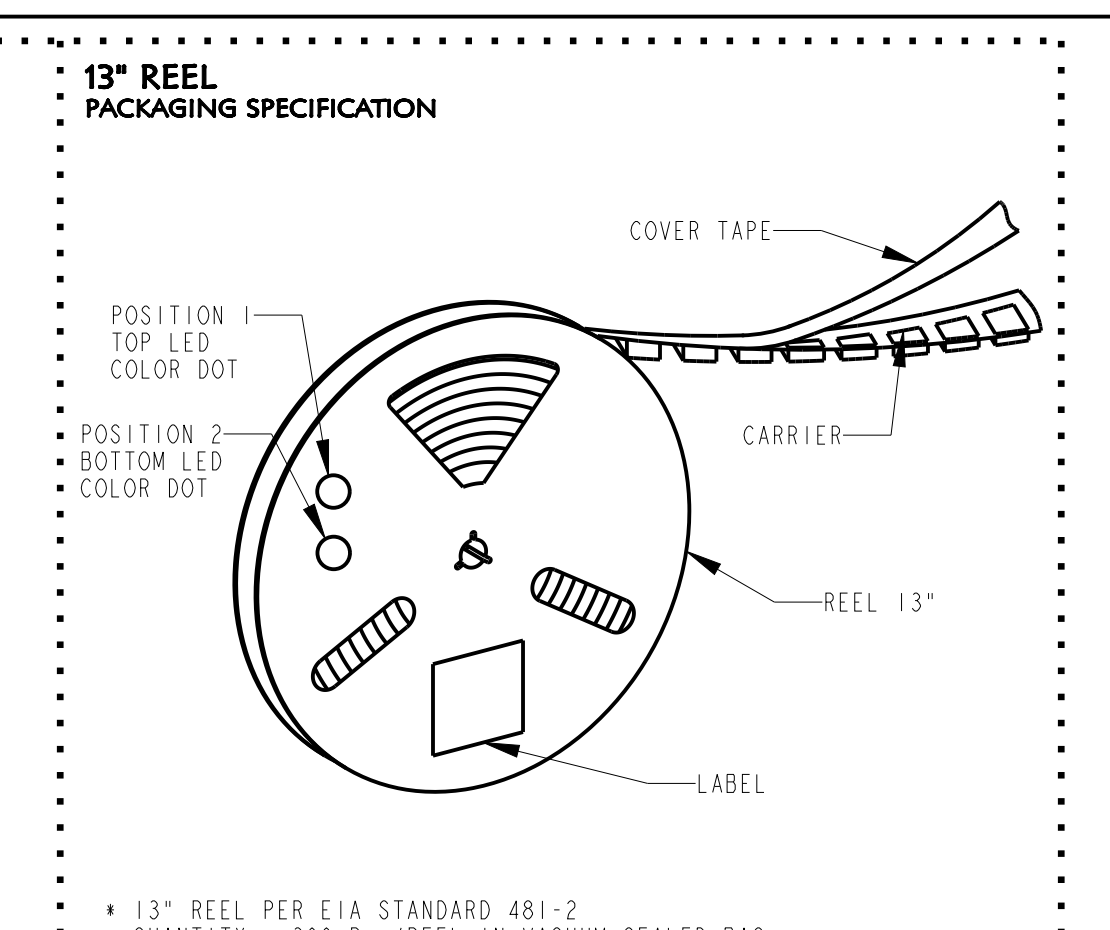
OPERATING CHARACTERISTICS AT 25°C AMBIENT - RED/GRN/BLUE TRI-COLOR LED

COLOR	LUMINOUS INTENSITY (mcd)	TEST CURRENT (mA)	DOMINANT WAVELENGTH (nm)			PEAK WAVELENGTH (nm)		FORWARD VOLTAGE (V)	
			MIN	TYP	MAX	TYP	TYP	MAX	
RED	31	20	—	626	—	635	1.9	2.4	
GREEN	84	20	520	525	523	3.4	4.1		
BLUE	16	20	470	468	468	3.4	4.1		



POCKET SHOWN WITH NO PRODUCT FOR CLARITY

\* 10 PCS. SAMPLE STRIP.  
\* STRIP PLACED IN ALUMINUM BARRIER BAG.  
\* LABEL TO INCLUDE P/N, QTY PER BAG, MFG DATE, LED LOT NO., LED COLOR, LED BIN INTENSITY FOR BOTH LEADS AND "COUNTRY OF ORIGIN: MEXICO".



\* 13" REEL PER EIA STANDARD 481-2  
\* QUANTITY = 300 PCS/REEL IN VACUUM SEALED BAG  
\* LABEL AND COLOR DOTS ON REEL AND ON BAG  
\* LABEL TO INCLUDE P/N, QTY PER BAG, MFG DATE, LED LOT NO., LED COLOR, LED BIN INTENSITY FOR BOTH LEADS AND "COUNTRY OF ORIGIN: MEXICO". CORNER OF LABEL ON REEL INDICATES MOISTURE SENSITIVITY LEVEL.  
\* ALUMINUM BARRIER BAG INCLUDES MSL LABEL.

ABSOLUTE MAXIMUM RATINGS AT 25°C AMBIENT - SINGLE COLOR LEDS

	COLOR				UNITS
	RED	GREEN	YELLOW	ORANGE	
POWER DISSIPATION	50	40	50	50	mW
PEAK FORWARD CURRENT (1/200 DUTY CYCLE, 10µs PULSE WIDTH)	100				mA
CONTINUOUS FORWARD CURRENT	20				mA
LINEAR DERATING AT MAX CURRENT (20mA)	0 (UNDER 100°C)				mA/°C
REVERSE VOLTAGE	12				V
LEAD REFLOW SOLDERING TEMPERATURE (FOR 5 SEC.)	260 (ALSO SEE GRAPH)				°C
OPERATING TEMPERATURE	-40 TO +100				°C
STORAGE TEMPERATURE	-40 TO +100				°C

ABSOLUTE MAXIMUM RATINGS AT 25°C AMBIENT - SINGLE COLOR LEDS

	COLOR										UNITS
	RED [HI.EFF.]	RED [AlGaAs]	GREEN	GREEN [HI.INT.]	YELLOW [AlInGaP]	ORANGE	WHITE	BLUE [InGaN]	GREEN [InGaN]		
POWER DISSIPATION	95	90	95	95	95	80	95	80	100	114	mW
PEAK FORWARD CURRENT (1/200 DUTY CYCLE, 10µs PULSE WIDTH)	500	500	500	500	500	200	500	200	200	200	mA
CONTINUOUS FORWARD CURRENT	30	30	30	30	30	30	20	20	30	30	mA
LINEAR DERATING FROM 60°C, UNLESS OTHERWISE NOTED	0.75	0.75	0.75	0.75	0.75	1.0 (FROM 85°C)	0.75	0.60 (FROM 75°C)	0.44 (FROM 55°C)	0.42 (FROM 40°C)	mA/°C
REVERSE VOLTAGE	12	5	12	12	5	12	5	5	5	5	V
LEAD REFLOW SOLDERING TEMP (FOR 5 SEC.)	260										°C
OPERATING TEMPERATURE	-40 TO +100										°C
STORAGE TEMPERATURE	-40 TO +100										°C

ABSOLUTE MAXIMUM RATINGS AT 25°C AMBIENT - RED/GRN & YLV/GRN BI-COLOR LED

	RED/GRN	YLV/GRN	UNITS
CONTINUOUS FORWARD CURRENT	15	15	mA
REVERSE VOLTAGE	12	12	V
SURGE CURRENT	100	100	mA
PEAK SOLDERING TEMPERATURE	245	245	°C
OPERATING TEMPERATURE	-40 TO +100	-40 TO +100	°C
STORAGE TEMPERATURE	-40 TO +100	-40 TO +100	°C

ABSOLUTE MAXIMUM RATINGS AT 25°C AMBIENT - RED/YELLOW BI-COLOR LED

	RED	YELLOW	UNITS
POWER DISSIPATION	80	80	mW
PEAK FORWARD CURRENT (1/200 DUTY CYCLE, 10µs PULSE WIDTH)	1000	200	mA
CONTINUOUS FORWARD			

## X-ON Electronics

Largest Supplier of Electrical and Electronic Components

*Click to view similar products for [LED Circuit Board Indicators](#) category:*

*Click to view products by [Dialight](#) manufacturer:*

Other Similar products are found below :

[568-0701-841F](#) [LTL-4221NH129](#) [LTL-42DGNMHDP1](#) [HLMP1521101](#) [HLMP1523802F](#) [HLMP1700101F](#) [HLMP1700104F](#) [SMF-HM1530YD-305](#) [SSF-LXH409SYSUGW](#) [AM2520EHSGD](#) [HLMP1301104F](#) [HLMP1385101F](#) [HLMP1421101](#) [HLMP1503103F](#) [HLMP1503104F](#) [HLMP1700102F](#) [HLMP1700106F](#) [HLMP1700107F](#) [HLMP1790101F](#) [HLMP1790103F](#) [LTL-4211NHBP](#) [5390H3](#) [551-2802F](#) [552-0794-810F](#) [553-0222-812F](#) [HT3-BC-T](#) [564-0700-831F](#) [WP59BLGEW](#) [103-3101-1231-403](#) [5502407811F](#) [550-3007-810F](#) [551-3307MF](#) [552080-1](#) [573-2399-100F](#) [5932-927-2701-3F](#) [SMF-HM1530SRD-509](#) [SSF-LXH100MID](#) [SSF-LXH2103SRSDRP](#) [SSF-LXH555USBW](#) [WP937SB/4YGW](#) [WP937EB2EGW](#) [HT3-BLU-T](#) [551-0312-802F](#) [553-0110-802F](#) [6202T3-5VLC](#) [LTL-307G08A-D](#) [CMD57164](#) [568-2231-313F](#) [568-0102-809F](#) [568-0102-808F](#)