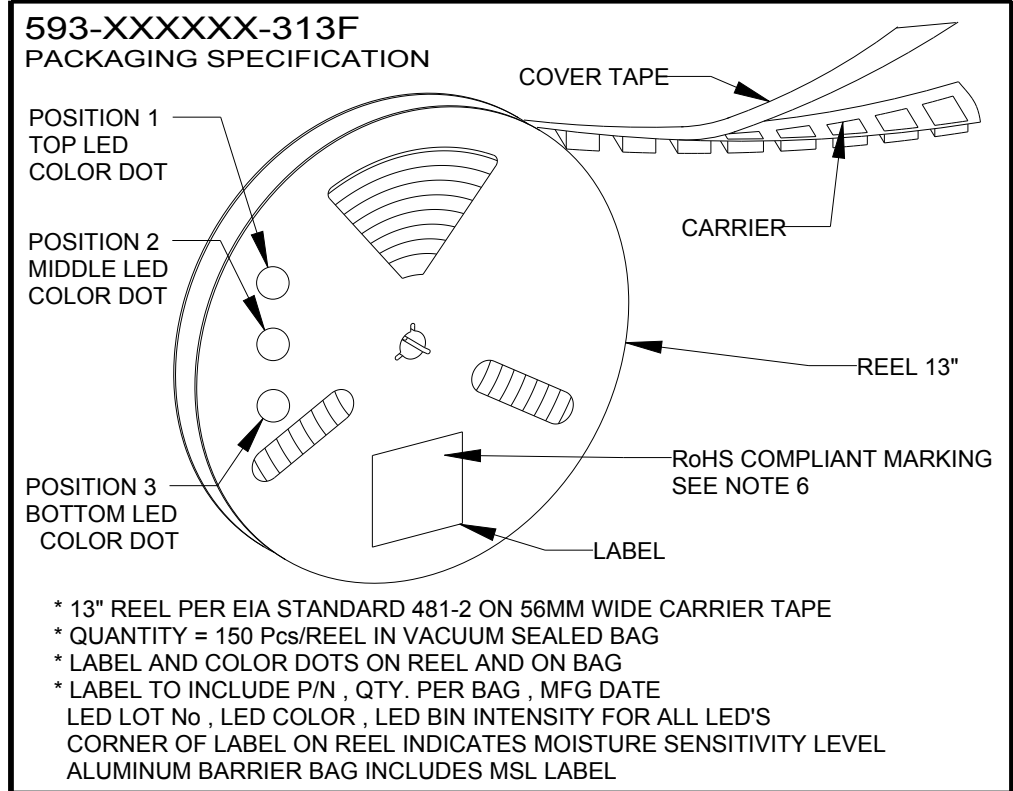
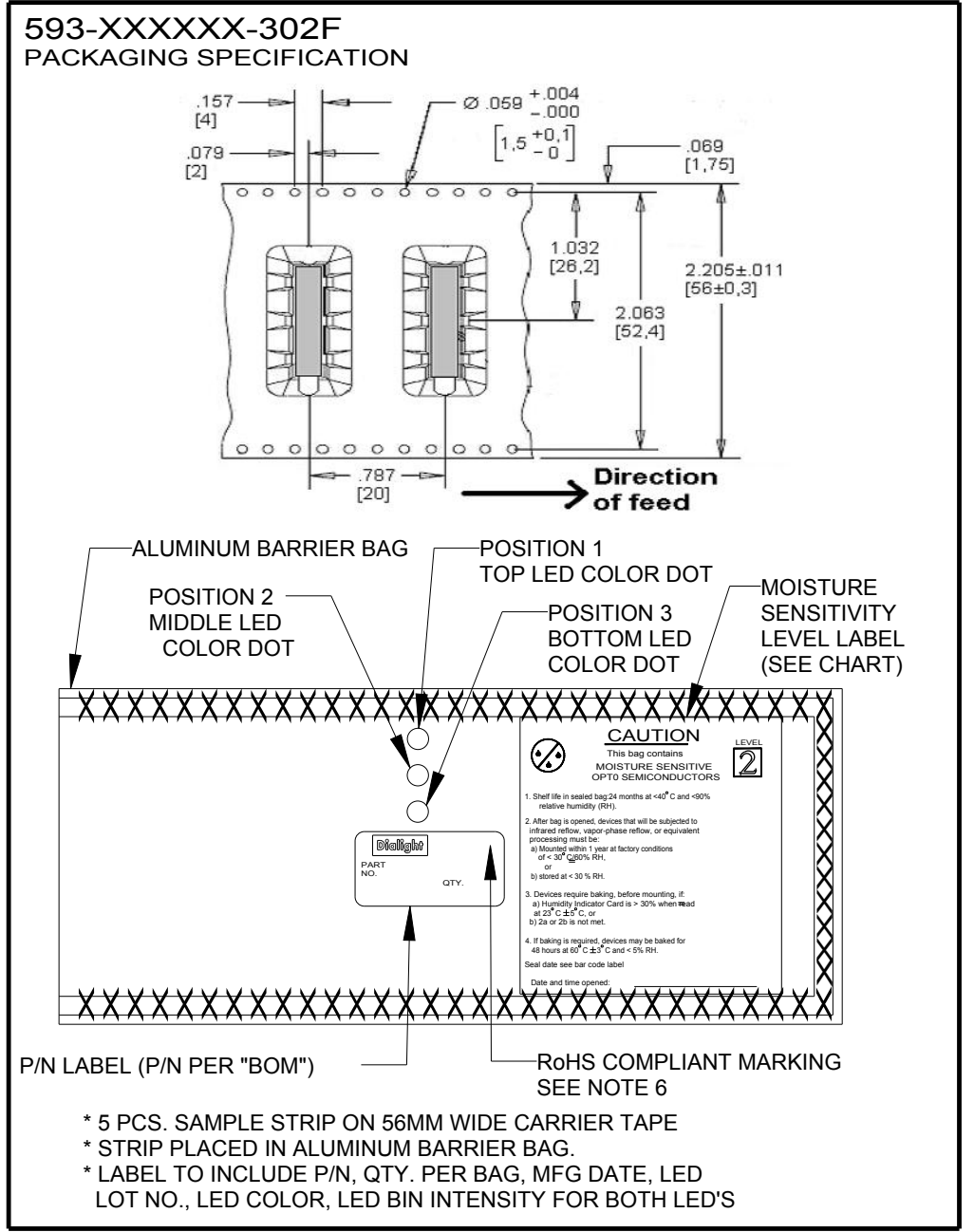


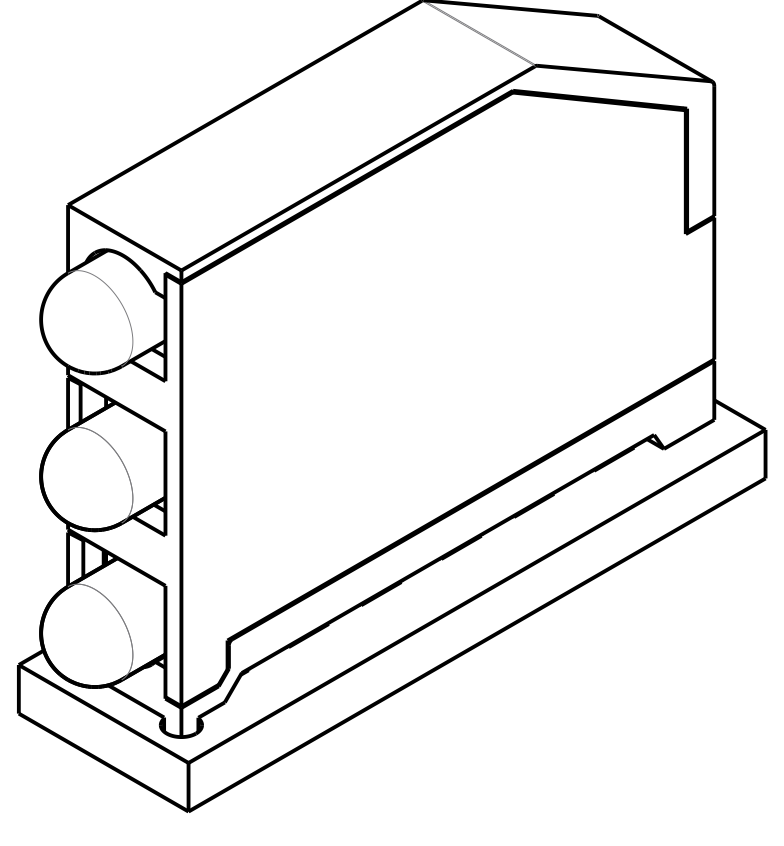
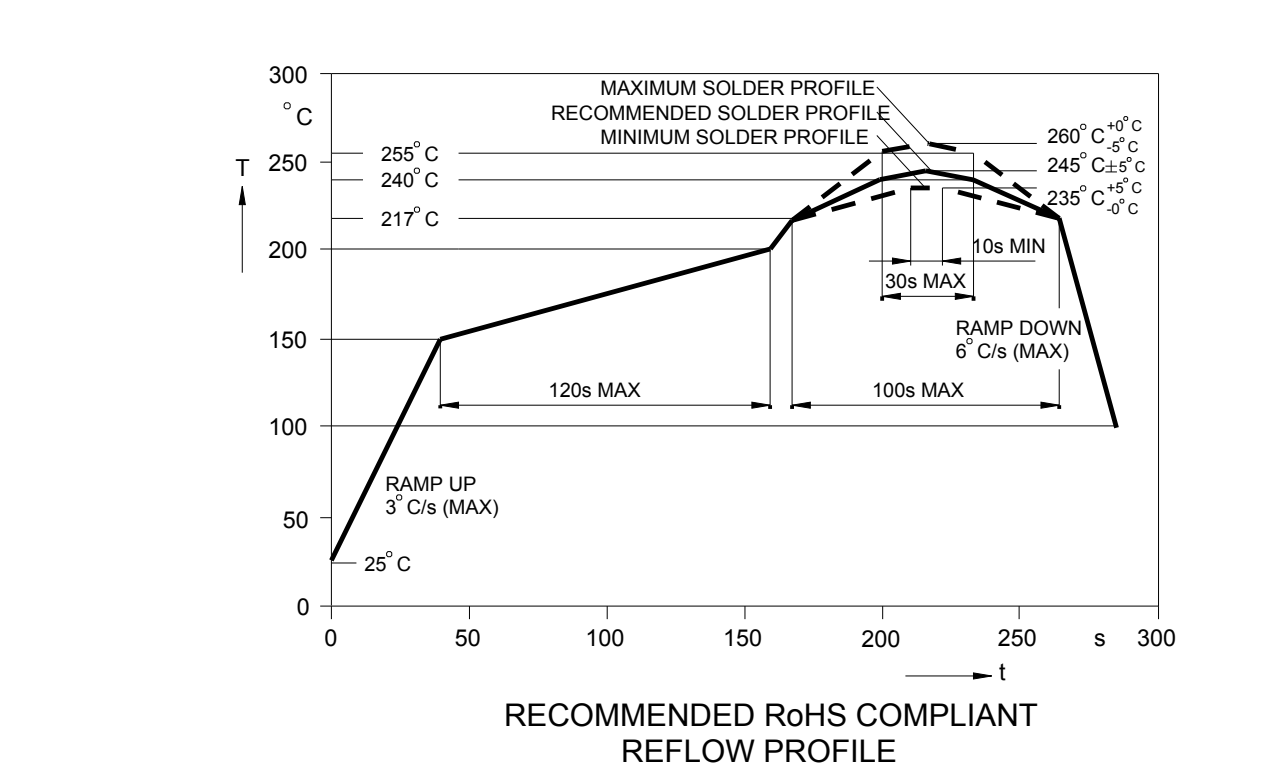
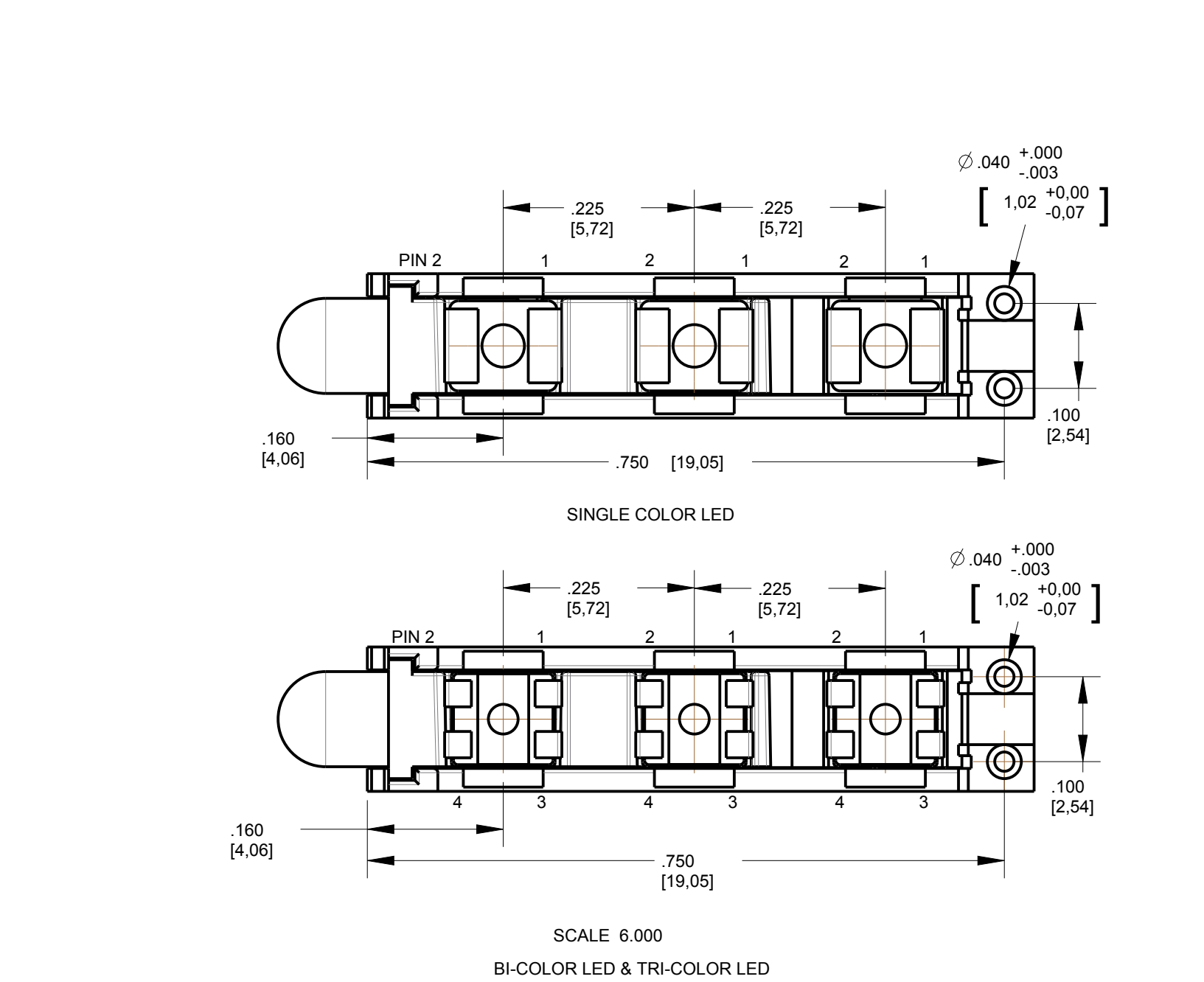
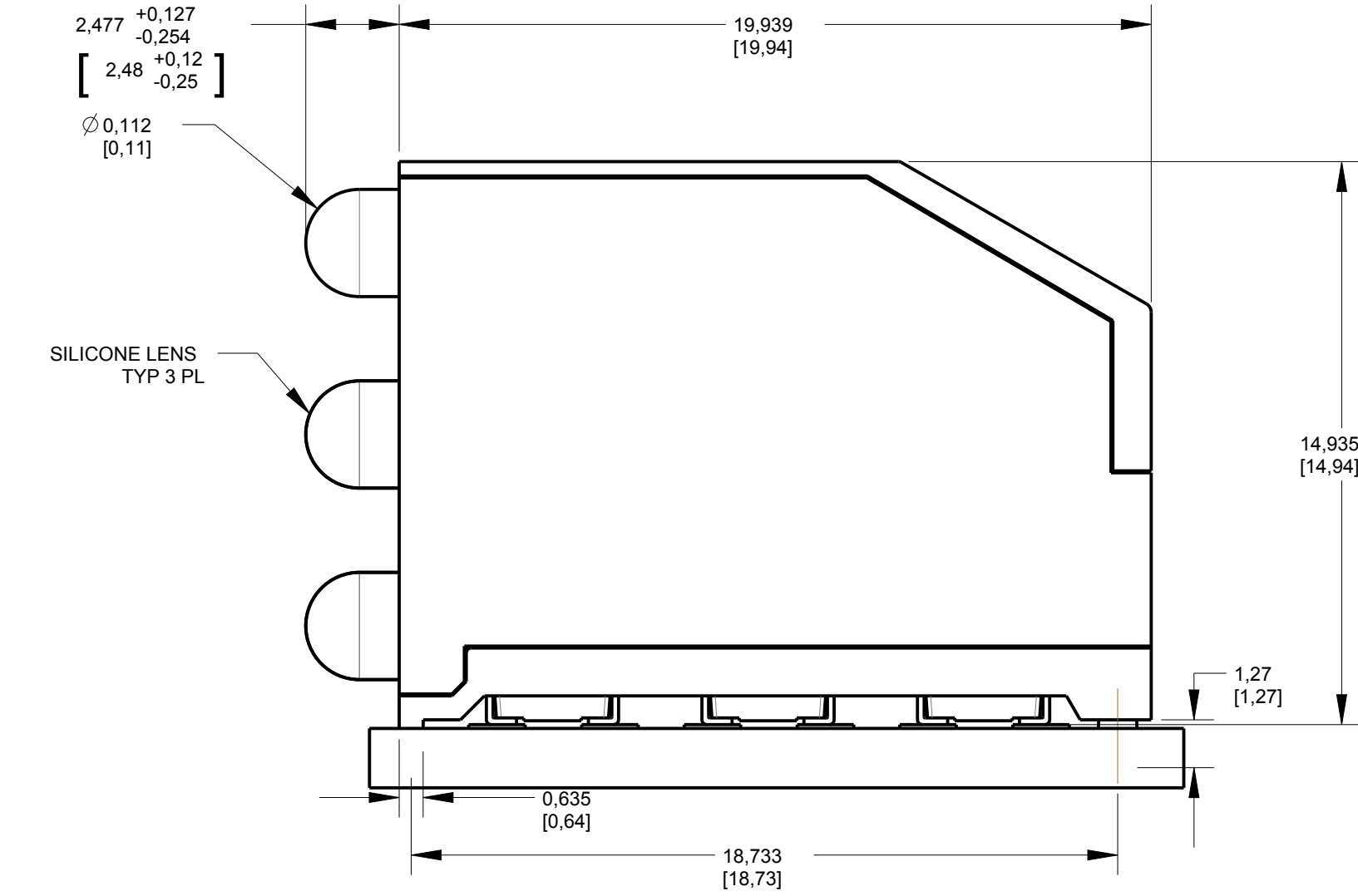
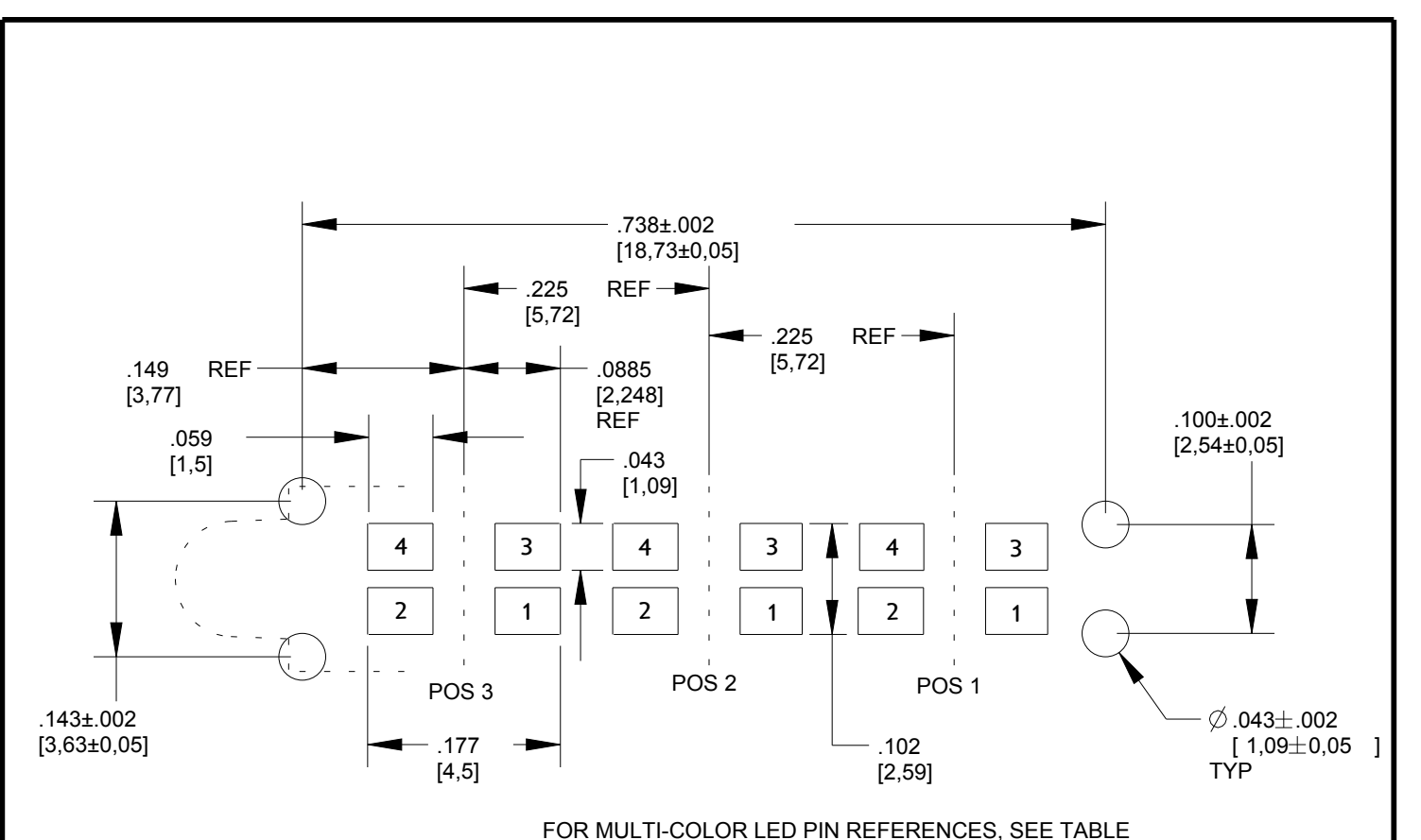
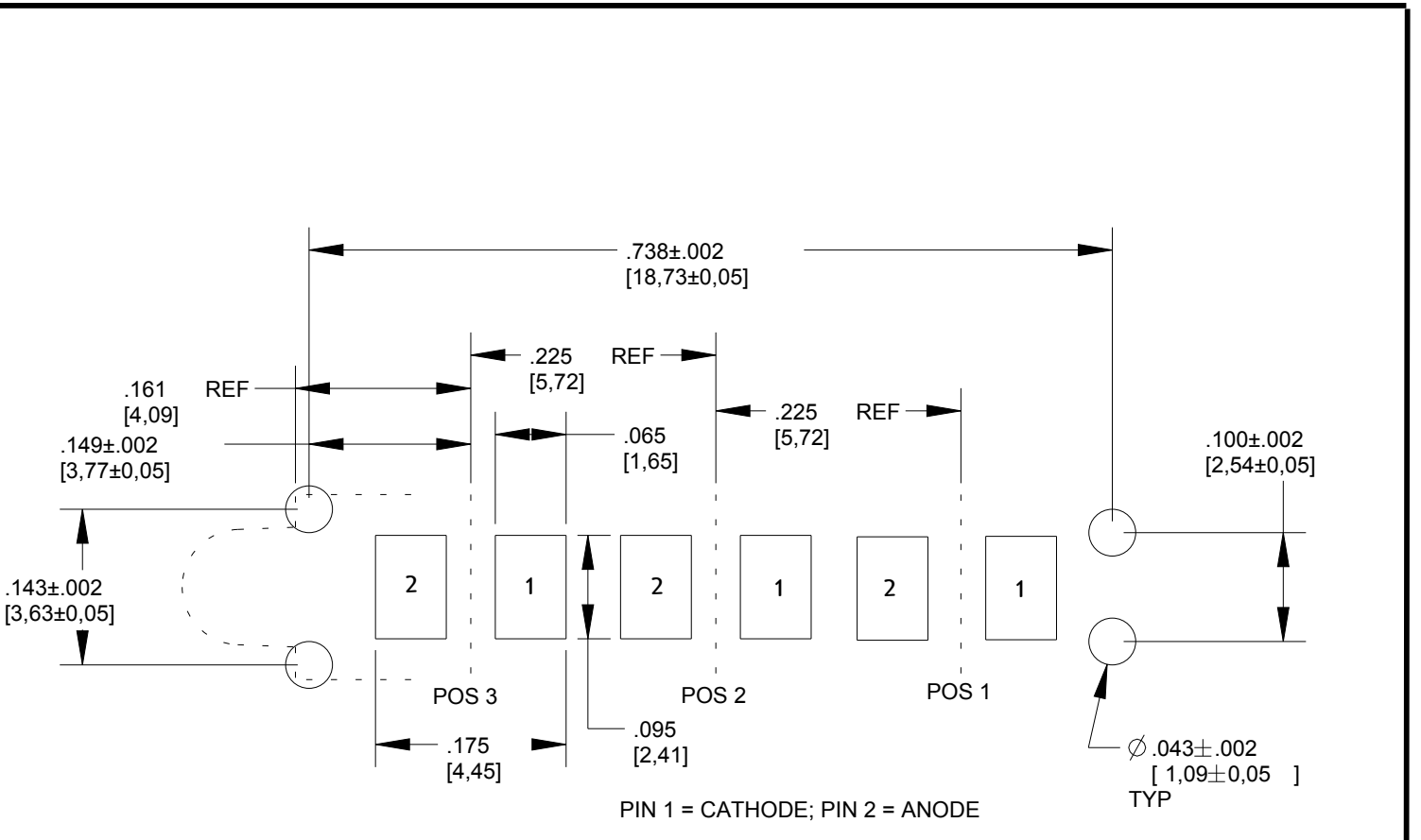
PART NUMBER	POSITION 1	POSITION 2	POSITION 3	MSL	PAD LAYOUT REFERENCE
593-101010-302F	RED 2mA	RED 2mA	RED 2mA	2	FIG. 1
593-101010-313F	GREEN 2mA	GREEN 2mA	GREEN 2mA	2	FIG. 1
593-131313-302F	YELLOW 2mA	YELLOW 2mA	YELLOW 2mA	2	FIG. 1
593-131313-313F	ORANGE 2mA	ORANGE 2mA	ORANGE 2mA	2	FIG. 1
593-141414-302F	RED	RED	RED	2	FIG. 1
593-141414-313F	RED	RED	YELLOW	2	FIG. 1
593-151515-302F	RED	GREEN	YELLOW	2	FIG. 1
593-151515-313F	RED	GREEN	BLUE	2	FIG. 1
593-202020-302F	RED	YELLOW	RED	2	FIG. 1 & FIG. 2
593-202020-313F	RED	YELLOW	RED	2	FIG. 1 & FIG. 2
593-202024-302F	RED	GREEN	YELLOW	2	FIG. 1
593-202024-313F	RED	GREEN	YELLOW	2	FIG. 1
593-202324-302F	RED	GREEN	BLUE	2	FIG. 1
593-202324-313F	RED	GREEN	BLUE	2	FIG. 1
593-202326-302F	RED	YELLOW	RED	2	FIG. 1 & FIG. 2
593-202326-313F	RED	YELLOW	RED	2	FIG. 1 & FIG. 2
593-203120-302F	RED	YELLOW	RED	2	FIG. 1 & FIG. 2
593-203120-313F	RED	YELLOW	RED	2	FIG. 1 & FIG. 2
593-212121-302F	AlGaAs RED	AlGaAs RED	AlGaAs RED	2	FIG. 1
593-212121-313F	AlGaAs RED	AlGaAs RED	SUPER RED GREEN	2	FIG. 1 & FIG. 2
593-212222-302F	AlGaAs RED	GREEN	GREEN	2	FIG. 1
593-212222-313F	AlGaAs RED	GREEN	BLUE	2	FIG. 1
593-212226-302F	AlGaAs RED	GREEN	BLUE	2	FIG. 1
593-212226-313F	AlGaAs RED	GREEN	BLUE	2	FIG. 1
593-212729-302F	AlInGaP RED	AlInGaP YELLOW	InGaP GREEN	2a	FIG. 1
593-212729-313F	AlInGaP RED	AlInGaP YELLOW	InGaP GREEN	2a	FIG. 1
593-222222-302F	GREEN	GREEN	GREEN	2	FIG. 1
593-222222-313F	GREEN	GREEN	GREEN	2	FIG. 1
593-222221-302F	GREEN	GREEN	AlGaAs RED	2	FIG. 1
593-222221-313F	GREEN	AlInGaP YELLOW	AlGaAs RED	2	FIG. 1
593-222721-302F	GREEN	GREEN	GREEN	2	FIG. 1
593-222721-313F	GREEN	GREEN	GREEN	2	FIG. 1
593-232323-302F	GREEN	YELLOW	RED	2	FIG. 1
593-232323-313F	GREEN	YELLOW	RED	2	FIG. 1
593-232420-302F	GREEN	YELLOW	RED	2	FIG. 1
593-232420-313F	GREEN	YELLOW	YELLOW	2	FIG. 1
593-232627-302F	GREEN	BLUE	AlInGaP YELLOW	2	FIG. 1
593-232627-313F	GREEN	BLUE	AlInGaP YELLOW	2	FIG. 1
593-242320-302F	YELLOW	YELLOW	YELLOW	2	FIG. 1
593-242320-313F	YELLOW	YELLOW	YELLOW	2	FIG. 1
593-242424-302F	YELLOW	YELLOW	YELLOW	2	FIG. 1
593-242424-313F	YELLOW	YELLOW	YELLOW	2	FIG. 1
593-262626-302F	BLUE	BLUE	BLUE	2	FIG. 1
593-262626-313F	BLUE	BLUE	BLUE	2	FIG. 1
593-272020-302F	AlInGaP YELLOW	RED	RED	2	FIG. 1
593-272020-313F	AlInGaP YELLOW	AlGaAs RED	InGaP GREEN	2	FIG. 1
593-272129-302F	AlInGaP YELLOW	AlGaAs RED	InGaP GREEN	2	FIG. 1
593-272129-313F	AlInGaP YELLOW	AlGaAs RED	InGaP GREEN	2	FIG. 1
593-272323-302F	AlInGaP YELLOW	AlInGaP YELLOW	AlInGaP YELLOW	2	FIG. 1
593-272323-313F	AlInGaP YELLOW	AlInGaP YELLOW	AlInGaP YELLOW	2	FIG. 1
593-272727-302F	WHITE	WHITE	WHITE	2	FIG. 1
593-272727-313F	WHITE	WHITE	WHITE	2	FIG. 1
593-282828-302F	InGaP GREEN	BLUE	AlInGaP YELLOW	2a	FIG. 1
593-282828-313F	InGaP GREEN	BLUE	AlInGaP YELLOW	2a	FIG. 1
593-292721-302F	InGaP GREEN	AlInGaP YELLOW	AlGaAs RED	2a	FIG. 1
593-292721-313F	InGaP GREEN	AlInGaP YELLOW	AlGaAs RED	2a	FIG. 1
593-292727-302F	InGaP GREEN	AlInGaP YELLOW	AlInGaP YELLOW	2a	FIG. 1
593-292727-313F	InGaP GREEN	AlInGaP YELLOW	AlInGaP YELLOW	2a	FIG. 1
593-292929-302F	InGaP GREEN	InGaP GREEN	InGaP GREEN	2a	FIG. 1
593-292929-313F	InGaP GREEN	InGaP GREEN	InGaP GREEN	2a	FIG. 1
593-303030-302F	SUPER RED	SUPER RED	SUPER RED	2	FIG. 2
593-303030-313F	SUPER RED	SUPER RED	SUPER RED	2	FIG. 2
593-303126-302F	SUPER RED	YELLOW	BLUE	2	FIG. 1 & FIG. 2
593-303126-313F	SUPER RED	YELLOW	BLUE	2	FIG. 1 & FIG. 2
593-312020-302F	YELLOW	RED	RED	2	FIG. 1 & FIG. 2
593-312020-313F	YELLOW	RED	RED	2	FIG. 1 & FIG. 2
593-313131-302F	YELLOW	YELLOW	YELLOW	2	FIG. 2
593-313131-313F	YELLOW	YELLOW	YELLOW	2	FIG. 2
593-323232-302F	SUPER-RED	SUPER-RED	SUPER-RED	2	FIG. 2
593-323232-313F	SUPER-RED	SUPER-RED	SUPER-RED	2	FIG. 2
593-353535-302F	RED	RED	RED	2a	FIG. 2
593-353535-313F	GREEN	GREEN	GREEN	2a	FIG. 2



LED COLOR	PIN 1	PIN 2	PIN 3	PIN 4
R/Y BI-COLOR	RED CATHODE	RED ANODE	YELLOW ANODE	YELLOW CATHODE
Y/G BI-COLOR	YELLOW CATHODE	YELLOW ANODE	GREEN ANODE	GREEN CATHODE
R/G BI-COLOR	RED CATHODE	RED ANODE	GREEN ANODE	GREEN CATHODE
R/G/B TRI-COLOR	RED CATHODE	COMMON ANODE	GREEN ANODE	BLUE CATHODE

NOTES:
 1. PRODUCT PIN'S WITH "F" SUFFIX ENDING ARE ROHS COMPLIANT. LED LEADS ARE PLATED TIN (Sn) WITH NICKEL (Ni) UNDERPLATE ON COPPER (Cu) LEADS.
 2. STORAGE OF TAPED PARTS SHALL NOT EXCEED TWELVE (12) MONTHS AFTER WHICH RE-PACKAGING IS REQUIRED.
 3. FRONT AND REAR TERMINALS OF EACH LED OF THE ASSEMBLY TO BE WITHIN .005 COPLANARITY.
 4. A MOISTURE SENSITIVITY LEVEL LABEL PLACED ON BAG. CHECK CHART FOR PROPER LEVEL.
 5. *** CAUTION ***
 FOR PRODUCTS THAT ARE ESD SENSITIVE, OBSERVE PRECAUTIONS IN HANDLING ELECTROSTATIC SENSITIVE DEVICES. FOR EYE SAFETY DO NOT STARE DIRECTLY INTO THE LIGHT BEAM OF THESE LED DEVICES AT CLOSE RANGE.
 6. THIS PRODUCT IS ROHS COMPLIANT. EACH BAG IS MARKED WITH ROHS COMPLIANT LABEL OR EQUIVALENT MARKINGS. LED MUST BE Pb FREE (ROHS COMPLIANT).
 7. DIALIGHT PART NUMBERS: 593-XXXXXX-302F (STRIP) 593-XXXXXX-313F (REEL)

OPERATING CHARACTERISTICS AT 25 °C AMBIENT					
COLOR CODE	COLOR	LUMINOUS INTENSITY	FORWARD VOLTAGE (V)		DOMINANT WAVELENGTH (nm)
			TYP	TEST COND	
10	RED 2mA	5 mcd @IF=2mA	IF = 2mA	1.7 2.2	624 630
13	GREEN 2mA	4 mcd @IF=2mA	IF = 2mA	1.7 2.2	566 570
14	YELLOW 2mA	4.3 mcd @IF=2mA	IF = 2mA	1.7 2.2	580 587
15	ORANGE 2mA	7 mcd @IF=2mA	IF = 2mA	1.7 2.2	600 606
20	RED	6 mcd @IF=20mA	IF = 10mA	2.0 2.5	622 628
21	AlGaAs RED	19 mcd @IF=20mA	IF = 10mA	1.75 2.5	645
22	HI. INT. GREEN	10 mcd @IF=20mA	IF = 10mA	2.0 2.5	564 570
23	GREEN	9 mcd @IF=20mA	IF = 10mA	2.0 2.5	564 570
24	YELLOW	8 mcd @IF=20mA	IF = 10mA	2.0 2.5	580 587
26	BLUE	10 mcd @IF=20mA	IF = 10mA	3.1 3.7	465 471
27	AlInGaP YELLOW	36 mcd @IF=20mA	IF = 10mA	2.0 2.4	580 587
28	WHITE	62 mcd @IF=20mA	IF = 10mA	3.1 3.4	X .33
29	InGaP GREEN	213 mcd @IF=20mA	IF = 20mA	3.7 4.3	525
30	RED/GREEN BI-COLOR	RED 11 mcd @IF=10mA GREEN 6 mcd @IF=10mA	IF = 10mA IF = 10mA	2.0 2.5 2.0 2.5	622 628 564 570
31	YELLOW/GREEN BI-COLOR	YELLOW 13 mcd @IF=10mA GREEN 6 mcd @IF=10mA	IF = 10mA IF = 10mA	2.0 2.5 2.0 2.5	584 590 570 576
32	RED/YELLOW BI-COLOR	RED 34 mcd @IF=20mA YELLOW 26 mcd @IF=20mA	IF = 20mA IF = 20mA	2.0 2.3 2.0 2.4	627 633 587 595
35	RED/GRN/BLUE TRI-COLOR	RED 45 mcd @IF=20mA GREEN 114 mcd @IF=20mA BLUE 25 mcd @IF=20mA	IF = 20mA IF = 20mA IF = 20mA	1.9 2.4 3.4 4.05 3.4 4.05	626 515 525 460 470



THIS DRAWING AND THE CONTENTS HEREIN ARE CONFIDENTIAL AND THE SOLE PROPERTY OF DIALIGHT. REPRODUCTION OF THIS DRAWING OR CONSTRUCTION OF ANY PARTS WITHIN THIS DRAWING ARE FORBIDDEN WITHOUT THE WRITTEN CONSENT OF DIALIGHT.

SCALE: 6.000
 ALL DIMS IN INCHES (MM)
 TOLERANCES: UNLESS OTHERWISE SPECIFIED
 FRACTIONS: ±1/64
 DECIMALS (XX): ±.01
 DECIMALS (XXX): ±.005
 ANGLES: ±3'

DRAWING NUMBER: C-18320
 TITLE: TRI-LEVEL PRISM
 MATERIAL: ROHS COMPLIANT

ATTENTION: OBSERVE PRECAUTIONS FOR HANDLING ELECTROSTATIC SENSITIVE DEVICES

Dialight
 1501 ROUTE 34 SOUTH FARMINGDALE, NJ 07727

FSCM 83330 SHEET 1 OF 1 FAMILY TABLE

REV	ECN NO	REVISIONS	DRN	CKD	APP	DATE
A		NEW RELEASE	BP		NO	11-6-17
B		ADDED PIN: 593-27-2020-313F & 593-27-2020-302F ON THE CHART	LD		SK	6-6-18
C		REVISED COLOR OF PART NUMBERS TO FOLLOW THE CHART	LD		SK	6-21-18
D		ADDED A NOTE ON THE DWG TO INDICATE SILICONE LENS	LD		NO	7-20-18
E		REMOVED PIN: 593-272129-801F, 593-272129-802F, 593-272727-803F, 593-272727-804F	LD		NO	7-23-18

X-ON Electronics

Largest Supplier of Electrical and Electronic Components

Click to view similar products for [LED Circuit Board Indicators](#) category:

Click to view products by [Dialight](#) manufacturer:

Other Similar products are found below :

[568-0701-841F](#) [5693F1_7_1-A](#) [LTL-42DGNMHDP1](#) [HLMP1503108F](#) [HLMP1521101](#) [HLMP1523802F](#) [HLMP1790105F](#) [BHA-1564-G](#)
[SMF-HM1530YD-305](#) [AM2520EHSGD](#) [HLMP1301104F](#) [HLMP1421101](#) [HLMP1503103F](#) [HLMP1700106F](#) [HLMP1700107F](#) [LTL-](#)
[4211NHBP](#) [5390H3](#) [552-0794-810F](#) [553-0222-812F](#) [564-0700-831F](#) [WP59BLGEW](#) [WP937SB/4EGW](#) [103-3101-1231-403](#) [5502407811F](#)
[550-3007-810F](#) [551-3307MF](#) [573-2399-100F](#) [SSF-LXH100MID](#) [SSF-LXH2103SRSRDRP](#) [WP937SB/4YGW](#) [WP937EB2EGW](#) [551-0312-](#)
[802F](#) [553-0110-802F](#) [6202T3-5VLC](#) [CMD57164](#) [568-2231-313F](#) [568-0102-809F](#) [568-0102-808F](#) [SSF-LXH513SUGD](#) [HLMPK101101F](#)
[551-0804-812F](#) [553-0748-862F](#) [591-3001-113N-SNF](#) [551-2809MF](#) [566-3505F](#) [5933-030-3031-3F](#) [591-2601-107F](#) [5932-927-2731-3F](#) [592-](#)
[2729-313F](#) [LTL-42M4NH106](#)