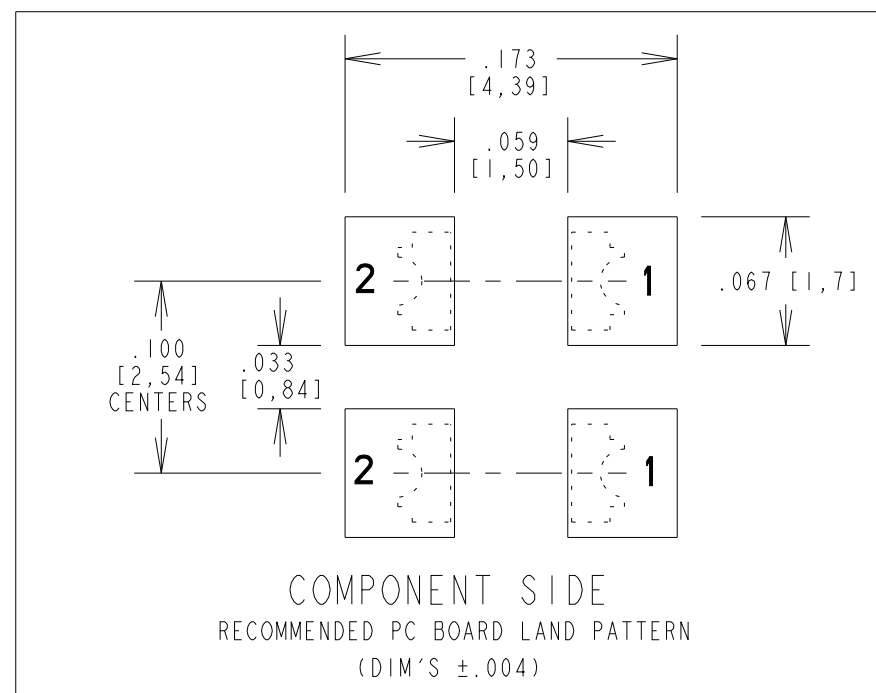


| PART NUMBER    | LED COLOR |
|----------------|-----------|
| 595-2301-002NF | GREEN     |
| 595-2301-007NF |           |
| 595-2301-013NF |           |
| 595-2401-002NF | YELLOW    |
| 595-2401-007NF |           |
| 595-2401-013NF |           |

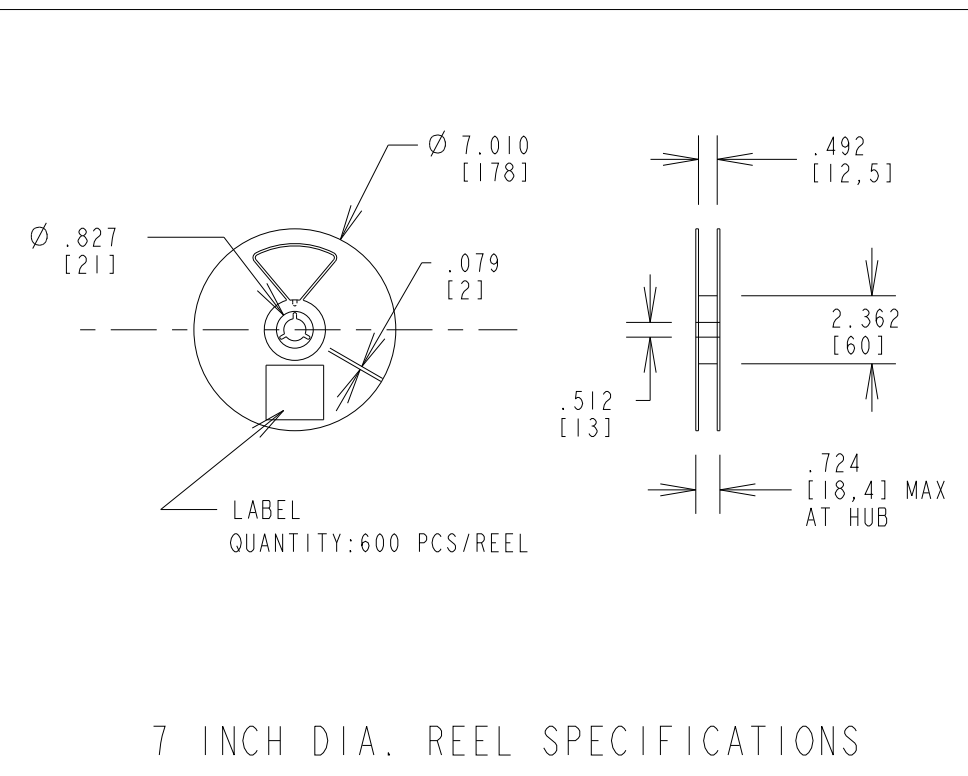
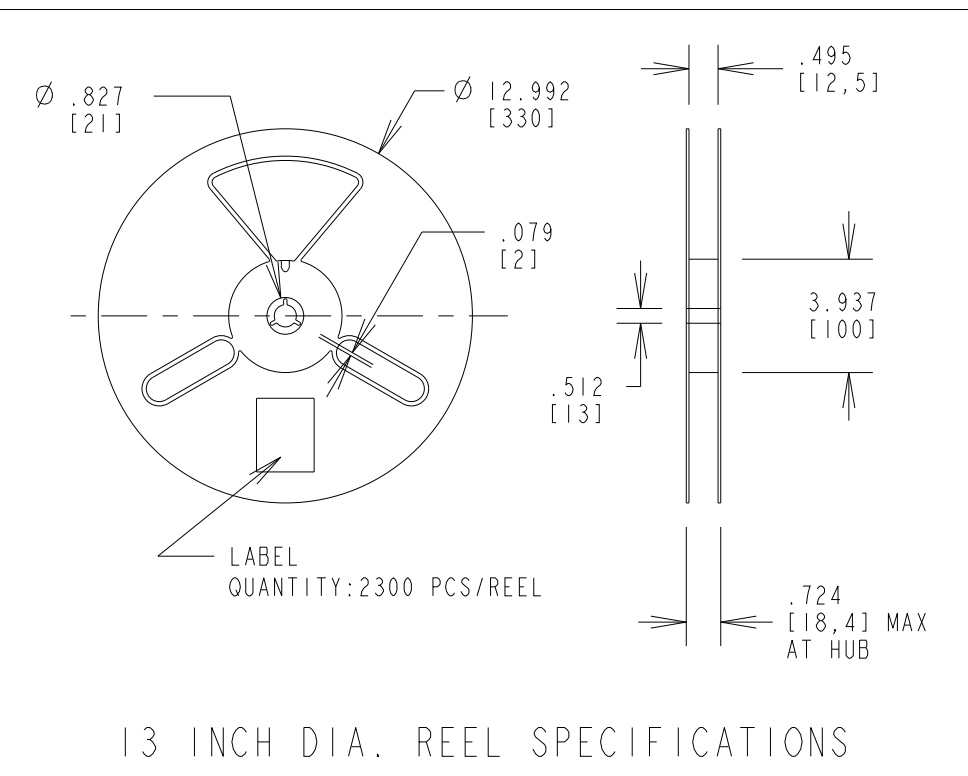
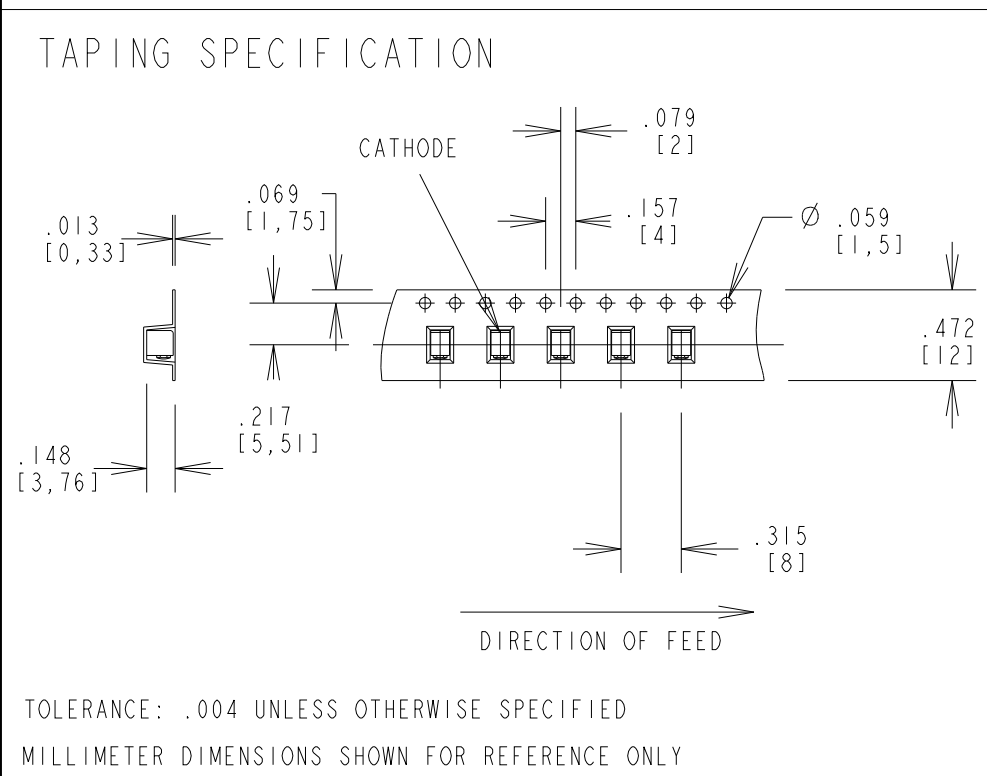
| OPERATING CHARACTERISTICS AT 25°C AMBIENT |        |     |      |     |       |                         |
|---|--------|-----|------|-----|-------|-------------------------|
| CHARACTERISTICS                           | COLOR  | MIN | TYP  | MAX | UNITS | TEST CONDITIONS         |
| LUMINOUS INTENSITY                        | GREEN  | —   | 19.0 | —   | mcd   | $I_F = 20 \text{ mA}$   |
|   | YELLOW | —   | 17.0 | —   |       |                         |
| FORWARD VOLTAGE                           | GREEN  | —   | 2.1  | 2.5 | V     |                         |
|   | YELLOW | —   | 2.2  | 2.5 |       |                         |
| REVERSE VOLTAGE                           | ALL    | —   | —    | 4   | V     | $I_R = 100 \mu\text{A}$ |
| PEAK WAVELENGTH                           | GREEN  | —   | 560  | —   | nm    | $I_F = 20 \text{ mA}$   |
|   | YELLOW | —   | 580  | —   |       |                         |
| DOMINANT WAVELENGTH                       | GREEN  | —   | 567  | —   |       |                         |
|   | YELLOW | 589 | —    | 595 |       |                         |

| REV | ECN NO | REVISIONS                              | DRN | CKD | APP | DATE     |
|-----|--------|--|-----|-----|-----|----------|
| A   | —      | NEW RELEASE                            | RSK | WFB | NO  | 11/20/14 |
| B   | —      | MODIFIED GRAPH TO REFLECT VALUE OF 217 | VP  | SK  | NO  | 5-21-15  |

| ABSOLUTE MAXIMUM RATINGS AT 25°C AMBIENT                   | COLOR         | VALUE       | UNITS |
|--|---------------|-------------|-------|
| POWER DISSIPATION  | GREEN         | 75          |       |
|  | YELLOW        | 75          |       |
| DERATE LINEARLY FROM 75°C                                  | GREEN, YELLOW | 1.0         | mA/°C |
| CONTINUOUS FORWARD CURRENT                                 | GREEN, YELLOW | 30          | mA    |
| PEAK FORWARD CURRENT (1/10 DUTY CYCLE, 0.1 ms PULSE WIDTH) | GREEN, YELLOW | 70          | mA    |
| OPERATING TEMPERATURE                                      | GREEN, YELLOW | -40 TO +100 | °C    |
| STORAGE TEMPERATURE  | GREEN, YELLOW | -40 TO +120 | °C    |



- NOTES:
- MILLIMETER DIMENSIONS SHOWN FOR REFERENCE ONLY.
  - PAD NUMBERS ARE FOR REFERENCE ONLY, DESIGNATION NON-EXISTENT ON PART.
  - STORAGE CONDITIONS FOR TAPED PRODUCT: RE-TAPING MAY BE NECESSARY FOR PRODUCTS STORED MORE THAN TWELVE MONTHS.
  - ORDER QUANTITY IS LED ASSEMBLIES, NOT REELS
  - ...-002NF SUFFIX MEANS PARTS ARE PACKED ON A 20 pc SAMPLE STRIP
  - ...-007NF SUFFIX MEANS PARTS ARE PACKED ON A 7 INCH REEL, 600 pcs/REEL
  - ...-013NF SUFFIX MEANS PARTS ARE PACKED ON A 13 INCH REEL, 2300 pcs/REEL
  - DIALIGHT PART NUMBERS = 595-2x01-002NF, 595-2x01-007NF, 595-2x01-013NF
  - PLACE MOISTURE SENSITIVITY LEVEL "3" LABEL ON 595-2301-002NF, 595-2301-007NF, 595-2301-013NF, 595-2401-002NF, 595-2401-007NF, 595-2401-013NF. VACUUM SEAL BAG.
  - PACKAGE ONE HUMIDITY INDICATOR CARD (P/N 9100-999-0662-99) PER BAG.
  - PER LENS INSPECTION PROCEDURE 01-225 THIS AREA CAN HAVE PORTIONS MISSING OF UP TO 50%. NON-CRITICAL AREA BELOW LENS.



**RoHS Compliant 595-2X01-0XXNF Surface Mount CBI**  
 Part Numbers with the "F" suffix ending are RoHS Compliant.  
 Example: 595-2301-002NF  
 Packaging is marked with "RoHS Compliant" label or equivalent markings. Parts can be wave soldered, dip soldered, or hand soldered using typical lead-free soldering process with max 260°C temp. for 5 sec.

|   |                            |     |
|---|----------------------------|-----|
| THIS DRAWING AND THE CONTENTS HEREIN ARE CONFIDENTIAL AND THE SOLE PROPERTY OF DIALIGHT. REPRODUCTION OF THIS DRAWING OR CONSTRUCTION OF ANY PARTS WITHIN THIS DRAWING ARE FORBIDDEN WITHOUT THE WRITTEN CONSENT OF DIALIGHT. |                            |     |
| SCALE: DRAWING SCALE  | DRAWING NUMBER             | REV |
| ALL DIM'S IN: INCHES (MM)   | C-18127                    | A   |
| TOLERANCES: UNLESS OTHERWISE SPECIFIED  | TITLE SURFACE MOUNT CBI    |     |
| FRACTIONS: ±1/64  | RoHS COMPLIANT             |     |
| DECIMALS (.XX): ±.01  | MATERIAL                   |     |
| DECIMALS (.XXX): ±.005  | FINISH:                    |     |
| DECIMALS (.XXXX): ±.0005  | FSCM 83330                 |     |
| ANGLES: ±1°   | SHEET 1 OF 1 FAMILY TABLE: |     |
| Dialight 1501 ROUTE 34 SOUTH FARMINGDALE, NJ 07727  |                            |     |

TOLERANCE: .004 UNLESS OTHERWISE SPECIFIED  
 MILLIMETER DIMENSIONS SHOWN FOR REFERENCE ONLY

## X-ON Electronics

Largest Supplier of Electrical and Electronic Components

*Click to view similar products for [LED Circuit Board Indicators](#) category:*

*Click to view products by [Dialight](#) manufacturer:*

Other Similar products are found below :

[568-0701-841F](#) [LTL-4221NH129](#) [LTL-42DGNMHDP1](#) [HLMP1521101](#) [HLMP1523802F](#) [HLMP1700101F](#) [HLMP1700104F](#) [BHA-1564-G](#)  
[SMF-HM1530YD-305](#) [SSF-LXH409SYSUGW](#) [AM2520EHSGD](#) [HLMP1301104F](#) [HLMP1385101F](#) [HLMP1421101](#) [HLMP1503103F](#)  
[HLMP1503104F](#) [HLMP1700102F](#) [HLMP1700106F](#) [HLMP1700107F](#) [HLMP1790101F](#) [HLMP1790103F](#) [LTL-4211NHBP](#) [5390H3](#) [551-](#)  
[2802F](#) [552-0794-810F](#) [553-0222-812F](#) [HT3-BC-T](#) [564-0700-831F](#) [WP59BLGEW](#) [103-3101-1231-403](#) [5502407811F](#) [550-3007-810F](#) [551-](#)  
[3307MF](#) [552080-1](#) [573-2399-100F](#) [592-2020-302F](#) [5932-927-2701-3F](#) [SMF-HM1530SRD-509](#) [SSF-LXH100MID](#) [SSF-LXH2103SRSDRP](#)  
[SSF-LXH555USBW](#) [WP937SB/4YGW](#) [WP937EB2EGW](#) [551-0312-802F](#) [553-0110-802F](#) [561-5501-050F](#) [6202T3-5VLC](#) [LTL-307G08A-D](#)  
[CMD57164](#) [568-2231-313F](#)