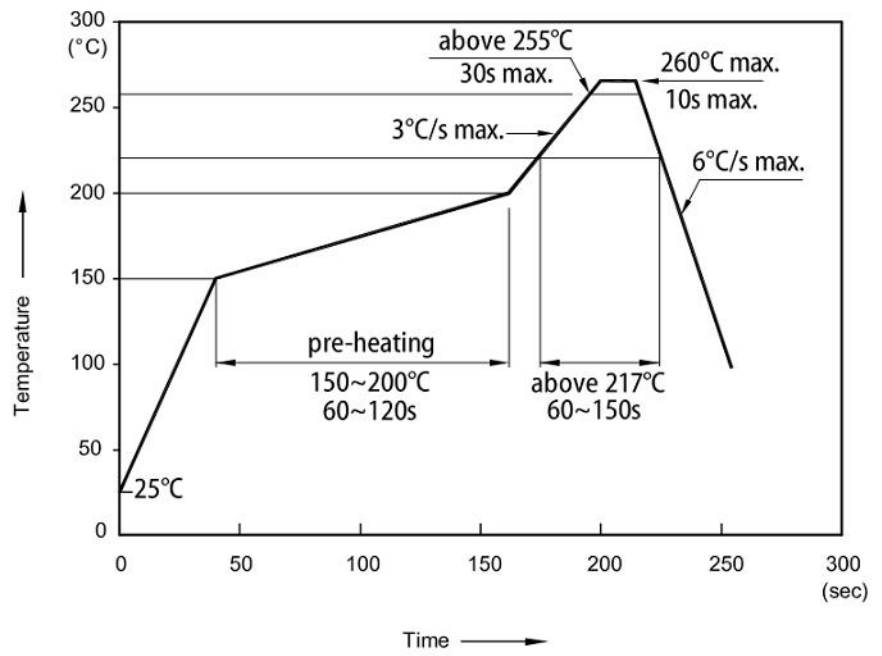
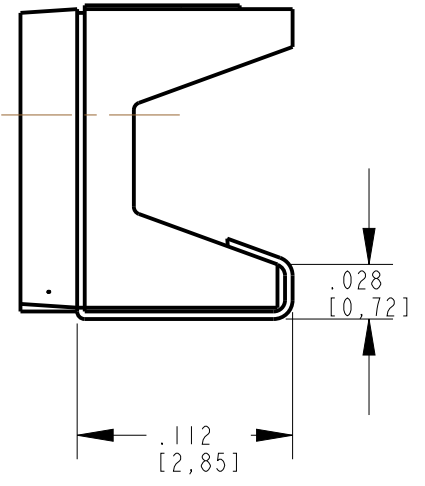
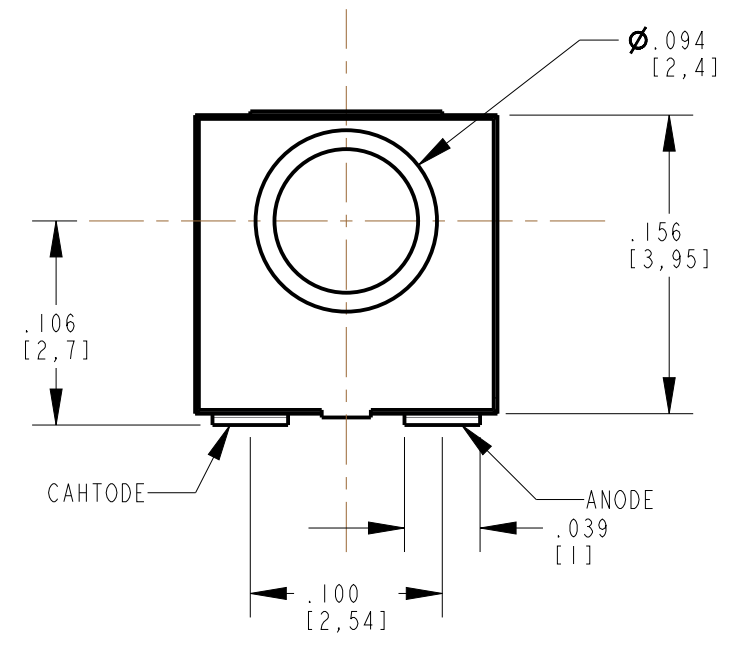
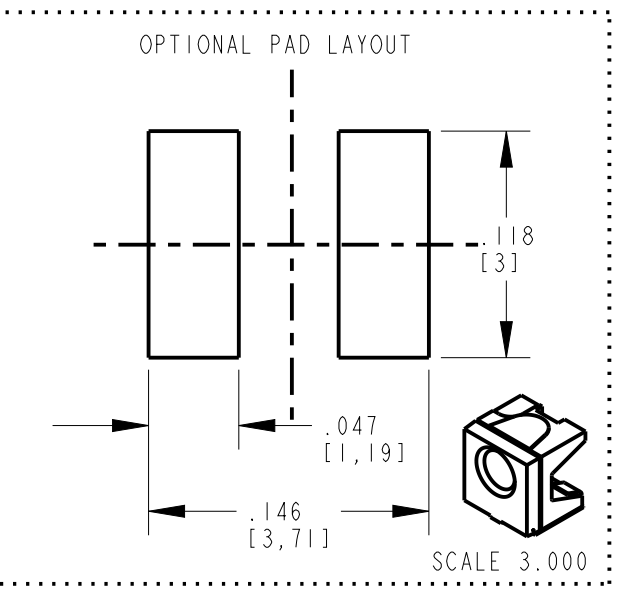
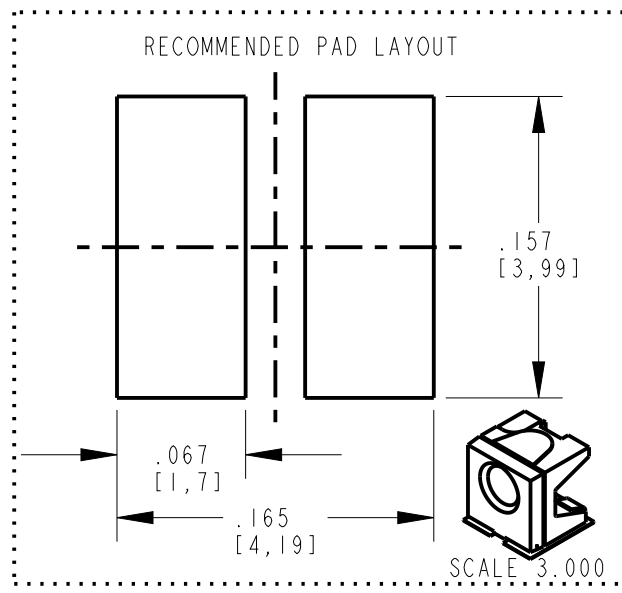
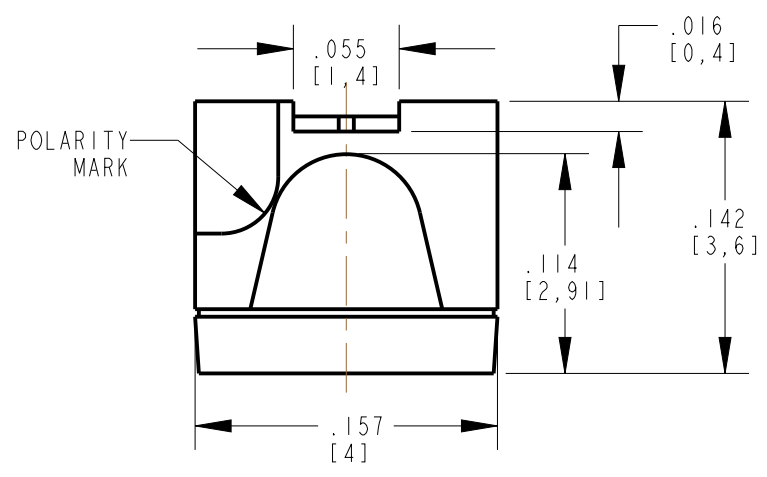
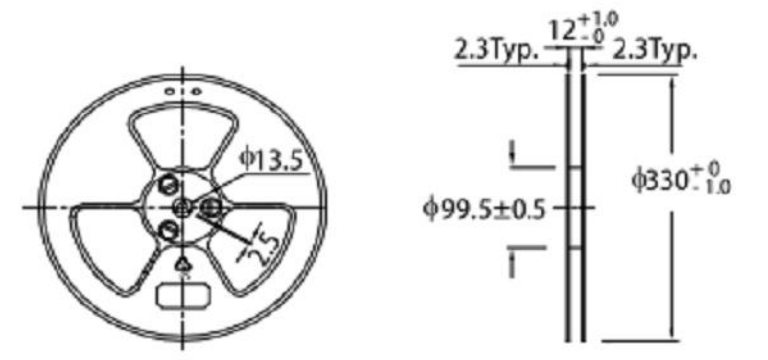


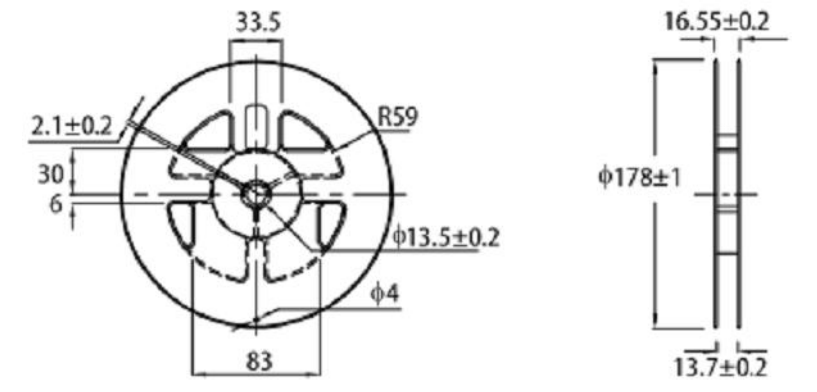
REV	REVISIONS	DRN	CKD	DATE
A	NEW RELEASE	LD	NO	10/01/20



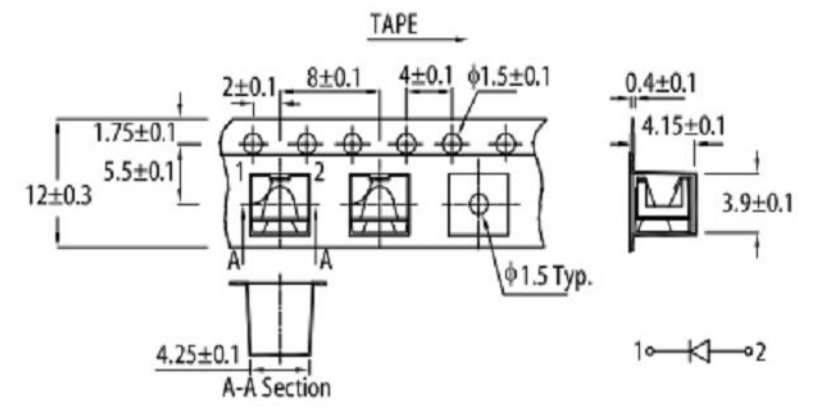
REEL DIMENSION (units : mm)



REEL DIMENSION (units : mm)



TAPE SPECIFICATIONS (units : mm)



OPERATING CHARACTERISTICS AT 25°C AMBIENT

DIALIGHT PART NUMBER	LED COLOR	LED CHIP	IF (mA)	FORWARD VOLTAGE (V)		LUMINOUS INTENSITY (mcd)		REVERSE CURRENT (mA @VR=4V)	PEAK WAVELENGTH (nm)	VIEWING ANGLE (DEGREES)
				TYP	MAX	MIN	TYP	MAX		
597-2321-816NF, 819NF	GREEN	InGaN	20	3.3	4.0	500	800	50	515	120
597-2601-817NF, 820NF	BLUE			3.3	4.0	80	220	50	460	

ABSOLUTE MAXIMUM RATINGS AT 25°C AMBIENT

	GREEN	BLUE	UNITS
POWER DISSIPATION	103	120	mW
CONTINUOUS FORWARD CURRENT	25	30	mA
PEAK FORWARD CURRENT (1ms PULSE WIDTH, 1/5 DUTY CYCLE)	150	150	mA
REVERSE VOLTAGE	5		V
OPERATING TEMPERATURE	-40 TO +85		°C
STORAGE TEMPERATURE	-40 TO +85		°C
JUNCTION TEMPERATURE	115		°C
ELECTROSTATIC DISCHARGE THRESHOLD (HBM)	450		V

NOTES:

- EPOXY COLOR: WATER CLEAR.
- PARTS TO BE TAPED AND REELED PER EIA-RS-481-1 SPEC.
- 597-2321-816NF TO BE SUPPLIED 2000 PIECES PER REEL (13" DIA)  
597-2601-817NF TO BE SUPPLIED 500 PIECES PER REEL (7" DIA)  
597-2601-820NF & 597-2321-819NF TO BE SUPPLIED IN 20 PCS STRIP
- LABELING: REELS TO BE IDENTIFIED WITH DIALIGHT P/N, QUANTITY, DATE CODE, AND INTENSITY BIN CATEGORY.
- THIS ASSEMBLY CONTAINS ELECTROSTATIC DISCHARGE SENSITIVE DEVICES (ESDS). MAINTAIN ALL PRECAUTIONARY MEASURES DURING ASSEMBLY, HANDLING AND STORAGE IN ACCORDANCE WITH IPC-A-610.
- MOISTURE SENSITIVITY LEVEL IS 3

THIS DRAWING AND THE CONTENTS HEREIN ARE CONFIDENTIAL AND THE SOLE PROPERTY OF DIALIGHT CORP. REPRODUCTION OF THIS DRAWING OR CONSTRUCTION OF ANY PARTS WITHIN THIS DRAWING ARE FORBIDDEN WITHOUT THE WRITTEN CONSENT OF DIALIGHT CORP.

DIALIGHT CORP. INTERNAL REFERENCE ONLY = 3D MODEL : X-A.1

SCALE: 15,000	DRAWING NUMBER	REV
ALL DIM'S: INCH (mm)	C18485	A
TOLERANCES: UNLESS OTHERWISE SPECIFIED	TITLE	SM 1616 RT ANGLE
FRACTIONS: ±1/64 DECIMALS (.XX): ±.01 DECIMALS (.XXX): ±.005 DECIMALS (.XXXX): ±.0005 ANGLES: ±1°	MATERIAL	
FINISH		
FSCM 83330	SHEET 1 OF 1	FAMILY TABLE:

1501 ROUTE 34 SOUTH  
FARMINGDALE, NJ 07727  
(732) 919-3119  
www.dialight.com

## X-ON Electronics

Largest Supplier of Electrical and Electronic Components

*Click to view similar products for [Standard LEDs - SMD category](#):*

*Click to view products by [Dialight manufacturer](#):*

Other Similar products are found below :

[LTST-C190KYKT](#) [LTST-C19GD2WT](#) [LTST-N683GBEW](#) [LTW-170ZDC](#) [LTW-M140SZS40](#) [LTW-M140ZVS](#) [598-8110-100F](#) [598-8170-100F](#) [598-8610-202F](#) [AAAF5060QBFSEEZGS](#) [HLMA-QG00-S0021](#) [ALMD-LB36-SV002](#) [APT1608QGW](#) [EAST2012YA0](#) [EASV1803BA0](#) [SML-512VWT86A](#) [SML-LX0606SISUGC/A](#) [SML-LXL1307SRC-TR](#) [SML-LXR851SIUPGUBC](#) [LT1ED53A](#) [AM27ZGC03](#) [APB3025SGNC](#) [APFA3010SURKCGKQBDC](#) [APHK1608VGCA](#) [APT2012QGW](#) [CLX6D-FKB-CN1R1H1BB7D3D3](#) [LTST-008BGEW](#) [LTW-010DCG](#) [LTW-020ZDCG](#) [LTW-21TS5](#) [LTW-220DS5](#) [598-8330-117F](#) [SML-LX0402IC-TR](#) [CMDA20AYAA7D1S](#) [CMDA16AYDR7A1X](#) [598-8040-100F](#) [598-8070-100F](#) [598-8140-100F](#) [598-8610-200F](#) [EAST2012GA0](#) [EAPL3527GA5](#) [EAST2012RA0](#) [CMD91-21VRC/TR7](#) [SML-512PWT86A](#) [SMF-2432GYC-TR](#) [LTST-C194TBKT-5A](#) [CLX6E-FKC-CH1M1D1BB7C3D3](#) [SML-LXL0805USBC-TR](#) [SML-LX2835SYSUGCTR](#) [CLMUC-FKA-CL81C1L51BB7C3C3](#)