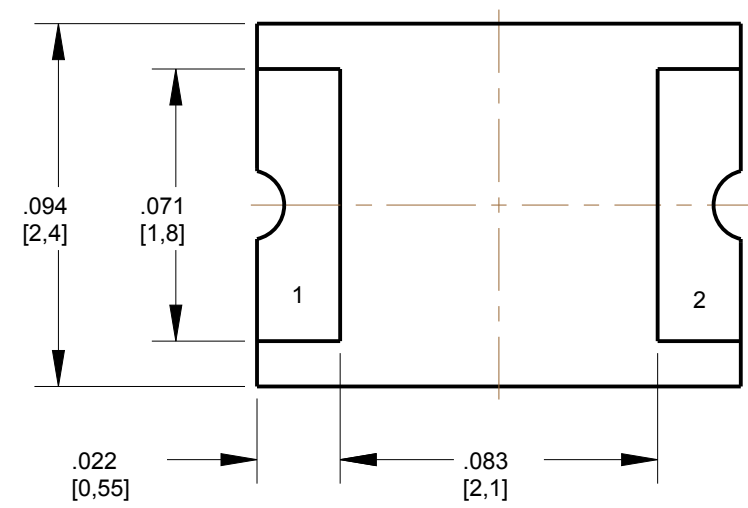
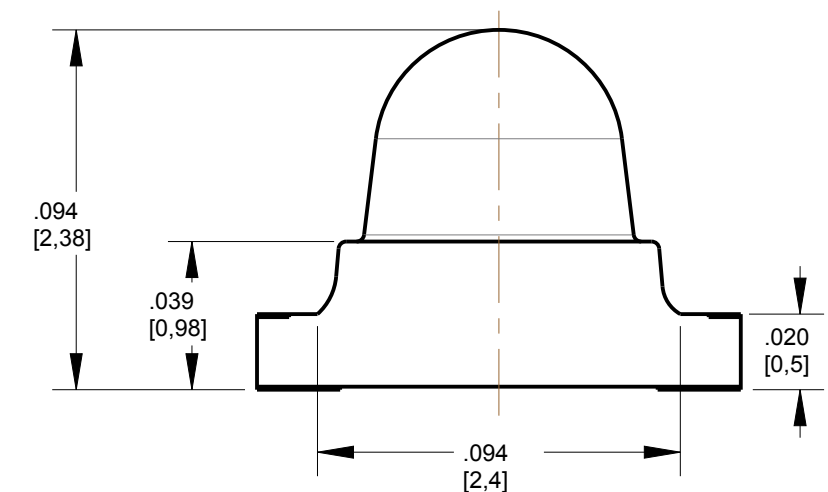
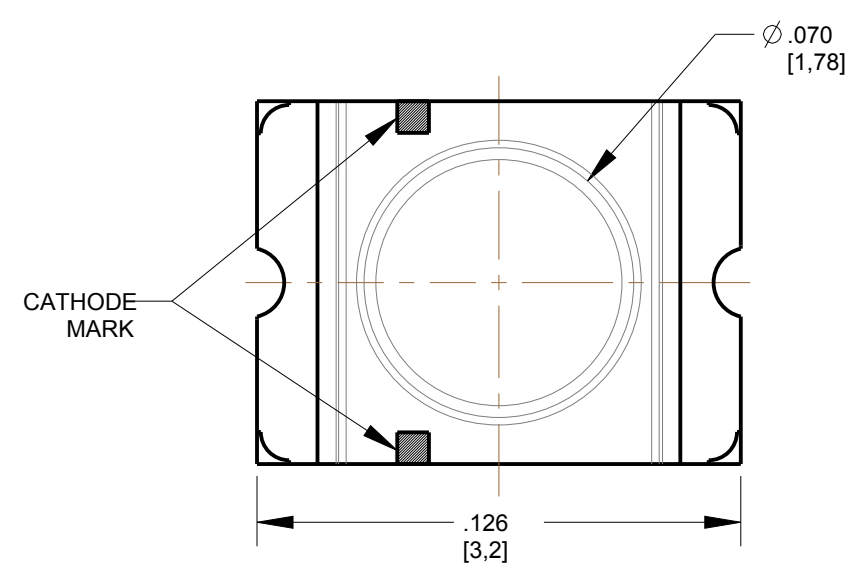


DIALIGHT PART NO.	LED COLOR (nm)
597-3001-602F,607F	RED (630)
597-3041-602F,607F	RED ORANGE (615)
597-3201-602F,607F	ORANGE (605)
597-3501-602F,607F	YELLOW GREEN (570)
597-3401-602F,607F	YELLOW (590)
597-3321-602F,607F	GREEN (525)
597-3601-602F,607F	BLUE (470)

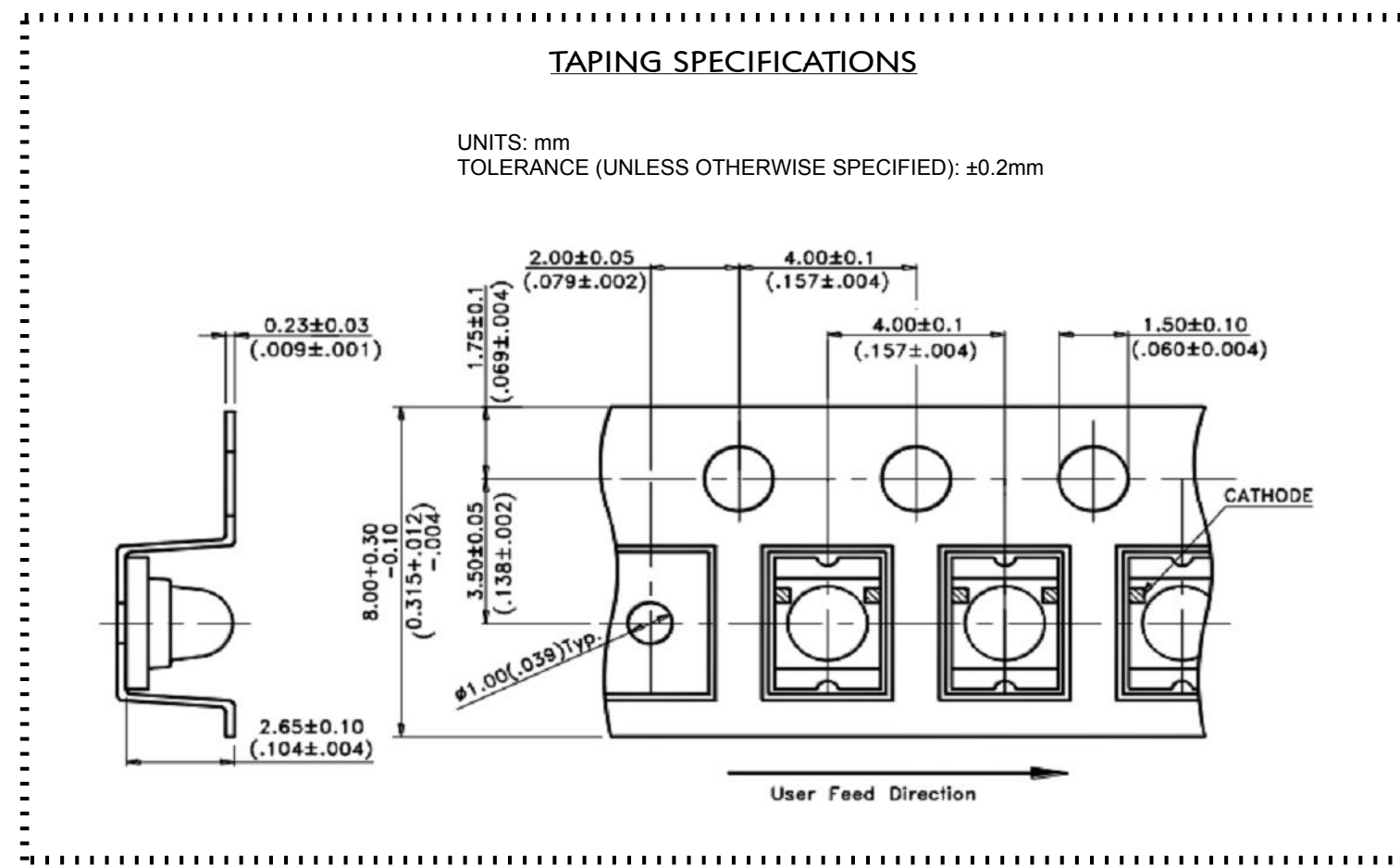
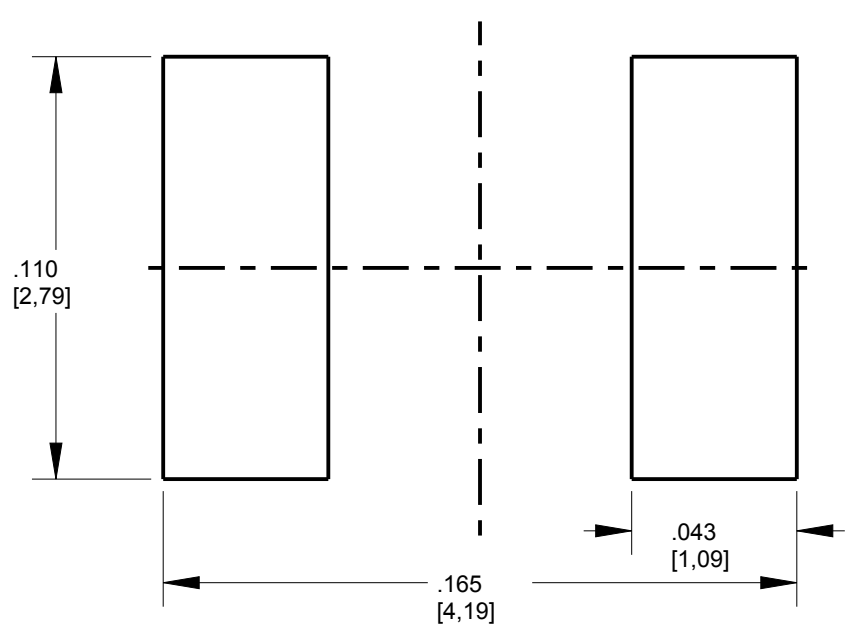
REV	REVISIONS	DRN	APP	DATE
A	NEW RELEASE	LD	NO	9-24-19



ATTENTION:
OBSERVE PRECAUTIONS FOR
HANDLING ELECTROSTATIC
SENSITIVE DEVICES



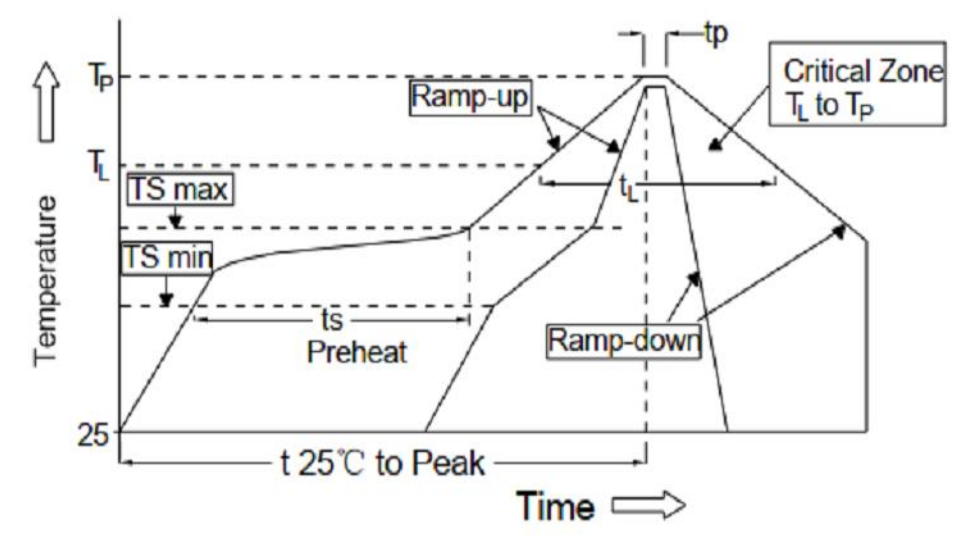
RECOMMENDED SOLDER PAD LAYOUT



TAPING SPECIFICATIONS

UNITS: mm
TOLERANCE (UNLESS OTHERWISE SPECIFIED): ±0.2mm

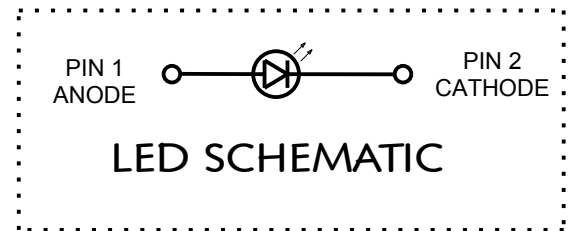
RECOMMENDED RoHS SOLDER PROFILE



ELECTRICAL OPTICAL CHARACTERISTICS AT 25 °C														
LED COLOR	TEST CONDITION	LUMINOUS INTENSITY (mcd)			PEAK EMISSION WAVELENGTH	DOMINANT WAVELENGTH (nm)			REVERSE CURRENT	SPECTRAL LINE HALF-WIDTH	FORWARD VOLTAGE I _F =20mA			VIEWING ANGLE I _F =20mA
		MIN.	TYP.	MAX.	TYP.	MIN.	TYP.	MAX.	MAX.	TYP.	TYP.	MAX.	TYP.	
RED	20	710	850	2800	639		630	10µA @ VR=5V	20	2.0	2.4	25		
RED ORANGE		710	2605	4500	621		615			18	2.0	2.4	25	
ORANGE		450	1200	4500	611	600	605			610	17	2.0	2.4	25
YELLOW GREEN		180	600	1800	574		570				15	2.0	2.4	25
YELLOW		450	710	1800	588	587	590			595	15	2.0	2.4	25
GREEN		710	2000	4500	530		525				35	2.8	3.6	25
BLUE		560	1400	2240	468	465	470			475	25	3.4	3.8	25

ABSOLUTE MAXIMUM RATINGS AT 25 °C								
LED COLOR	POWER DISSIPATION (mW)	PEAK FORWARD CURRENT (mA)	FORWARD CURRENT (mA)	DERATING LINEAR FROM 25° C (mA/°C)	REVERSE VOLTAGE (V)	OPERATING TEMPERATURE (°C)	STORAGE TEMPERATURE (°C)	SOLDERING CONDITION (°C)
RED	75	80	30	0.4	5	-55 TO +85	-55 TO +85	260
RED ORANGE	75	80	30	0.4		-30 TO +85	-40 TO +85	
ORANGE	75	80	30	0.4		-55 TO +85	-55 TO +85	
YELLOW GREEN	75	80	30	0.4		-55 TO +85	-55 TO +85	
YELLOW	75	80	30	0.4		-55 TO +85	-55 TO +85	
GREEN	76	100	20	0.25		-20 TO +80	-30 TO +100	
BLUE	76	100	20	0.25		-20 TO +80	-30 TO +100	

MARK	DEFINITION	CONDITION
TS _{max}	Maximum of pre-heating temperature	200 °C
TS _{min}	Minimum of pre-heating temperature	150 °C
T _s	Time form Tsmin to Tsmax	60-120 sec
T _L	Reference temperature	217 °C
t _L	Retention time for TL	within 60s
T _P	Peak Temperature	260 °C
t _P	Time for peak temperature	within 10s
DT _r /Dt	Temperature rising rate	under 3 C/sec
DT _d /Dt	Temperature decreasing rate	under 3 C/sec



NOTES:

- QUANTITY IS 1,500 PCS PER REEL.
- PIN NUMBERS ARE FOR REFERENCE ONLY, DESIGNATION NON-EXISTENT ON PART.
- THIS ASSEMBLY CONTAINS ELECTROSTATIC DISCHARGE SENSITIVE DEVICES (ESDS). MAINTAIN ALL PRECAUTIONARY MEASURES DURING ASSEMBLY, HANDLING AND STORAGE IN ACCORDANCE WITH IPC-A-610.
- THIS PRODUCT IS RoHS COMPLIANT. EACH BAG IS TO BE MARKED WITH RoHS COMPLIANT LABEL OR EQUIVALENT MARKINGS. LED MUST BE Pb FREE.

THIS DRAWING AND THE CONTENTS HEREIN ARE CONFIDENTIAL AND THE SOLE PROPERTY OF DIALIGHT CORP. REPRODUCTION OF THIS DRAWING OR CONSTRUCTION OF ANY PARTS WITHIN THIS DRAWING ARE FORBIDDEN WITHOUT THE WRITTEN CONSENT OF DIALIGHT CORP.

DIALIGHT CORP. INTERNAL REFERENCE ONLY = 3D MODEL: 4500521848X15-A-1

SCALE: 20.00	DRAWING NUMBER	REV
ALL DIMS IN: INCHES (MM)	C18446	A
TOLERANCES: UNLESS OTHERWISE SPECIFIED	TITLE	
FRACTIONS: ±1/64	SM LED 1209 (3224)	
DECIMALS (.XX): ±0.1	MATERIAL	
DECIMALS (.XXX): ±0.005		
DECIMALS (.XXXX): ±0.0005		
ANGLES: ±1°		
FINISH		
FSCM 83330		

Dialight 1501 ROUTE 34 SOUTH FARMINGDALE, NJ 07727 (732) 919-3119 www.dialight.com

SHEET 1 OF 1 FAMILY TABLE:

X-ON Electronics

Largest Supplier of Electrical and Electronic Components

Click to view similar products for [Standard LEDs - SMD category](#):

Click to view products by [Dialight manufacturer](#):

Other Similar products are found below :

[LTST-C190KYKT](#) [LTST-C19GD2WT](#) [LTST-N683GBEW](#) [LTW-170ZDC](#) [LTW-M140SZS40](#) [LTW-M140ZVS](#) [598-8110-100F](#) [598-8170-100F](#) [598-8610-202F](#) [AAAF5060QBFSEEZGS](#) [HLMA-QG00-S0021](#) [ALMD-LB36-SV002](#) [APT1608QGW](#) [EAST2012YA0](#) [EASV1803BA0](#) [SML-512VWT86A](#) [SML-LX0606SISUGC/A](#) [SML-LXL1307SRC-TR](#) [SML-LXR851SIUPGUBC](#) [LT1ED53A](#) [AM27ZGC03](#) [APB3025SGNC](#) [APFA3010SURKCGKQBDC](#) [APHK1608VGCA](#) [APT2012QGW](#) [CLX6D-FKB-CN1R1H1BB7D3D3](#) [LTST-008BGEW](#) [LTW-010DCG](#) [LTW-020ZDCG](#) [LTW-21TS5](#) [LTW-220DS5](#) [598-8330-117F](#) [SML-LX0402IC-TR](#) [CMDA20AYAA7D1S](#) [CMDA16AYDR7A1X](#) [598-8040-100F](#) [598-8070-100F](#) [598-8140-100F](#) [598-8610-200F](#) [EAST2012GA0](#) [EAPL3527GA5](#) [EAST2012RA0](#) [CMD91-21VRC/TR7](#) [SML-512PWT86A](#) [SMF-2432GYC-TR](#) [LTST-C194TBKT-5A](#) [CLX6E-FKC-CH1M1D1BB7C3D3](#) [SML-LXL0805USBC-TR](#) [SML-LX2835SYSUGCTR](#) [CLMUC-FKA-CL81C1L51BB7C3C3](#)