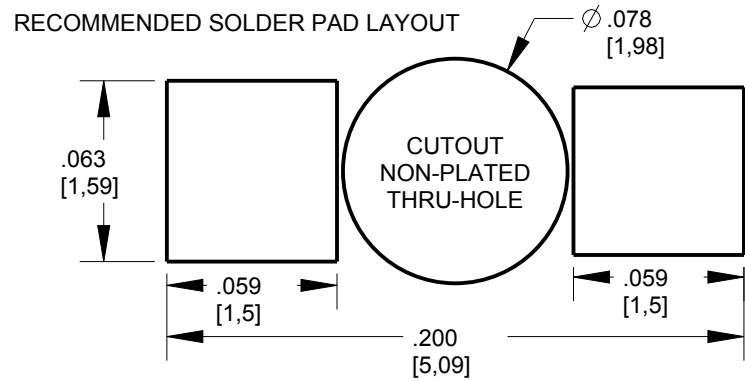
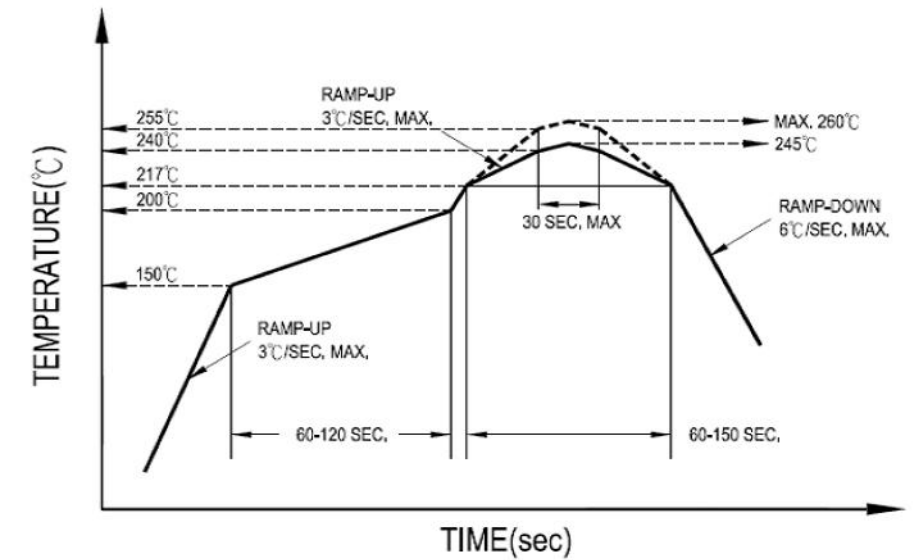


OPERATING CHARACTERISTICS AT 25° C AMBIENT													
DIALIGHT PART NUMBER	COLOR	LUMINOUS INTENSITY @I _F = 20 mA (mcd)			FORWARD VOLTAGE @I _F = 20 mA (V)			REVERSE CURRENT (μA)	DOMINANT WAVELENGTH (nm)			PEAK WAVELENGTH (nm)	VIEWING ANGLE (DEG)
		MIN	TYP	MAX	MIN	TYP	MAX	MAX	MIN	TYP	MAX	TYP	TYP
		597-6001-602F,-607F	RED	18.0		280.0		2.0	2.4	10	631		639
597-6201-602F,-607F	ORANGE	71.0		450.0		2.0	2.4	10	605		611		
597-6301-602F,-607F	GREEN	280.0		1120.0	2.8		3.8	100	525		530		
597-6401-602F,-607F	YELLOW	28.0		450.0		2.0	2.4	10	587		588		
597-6501-602F,-607F	YELLOW-GREEN	28.0		180.0	1.8		2.4	10	567.5		576.5		
597-6601-602F,-607F	BLUE	112.0		280.0		3.0	3.8	100	465		475		

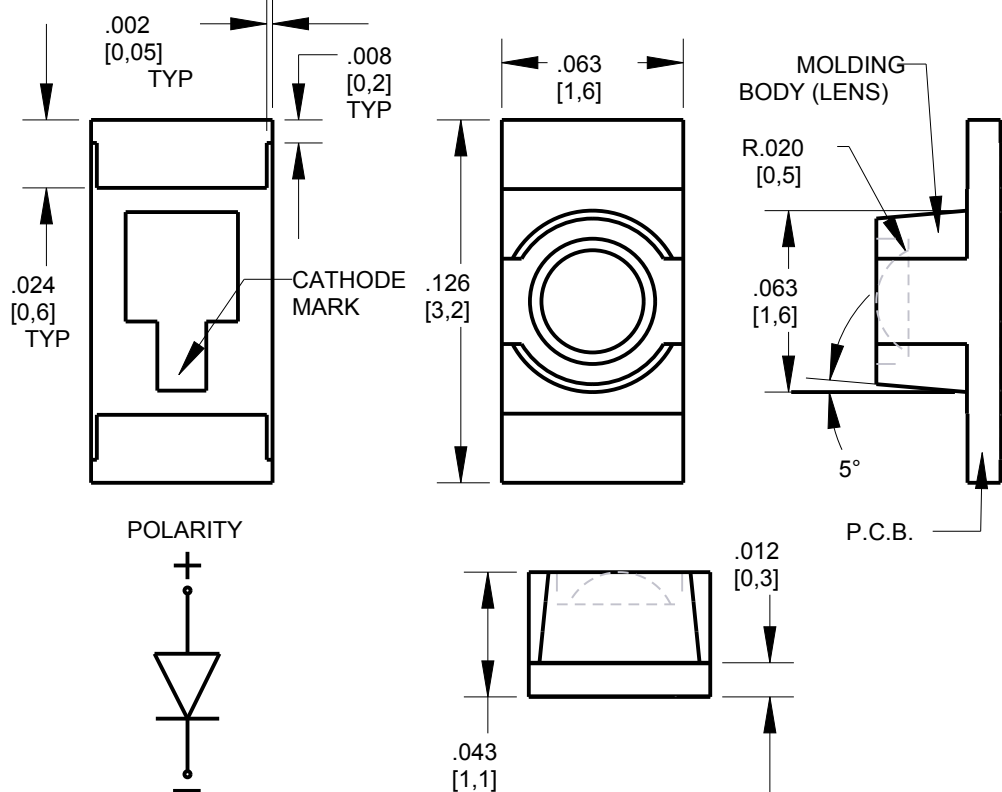
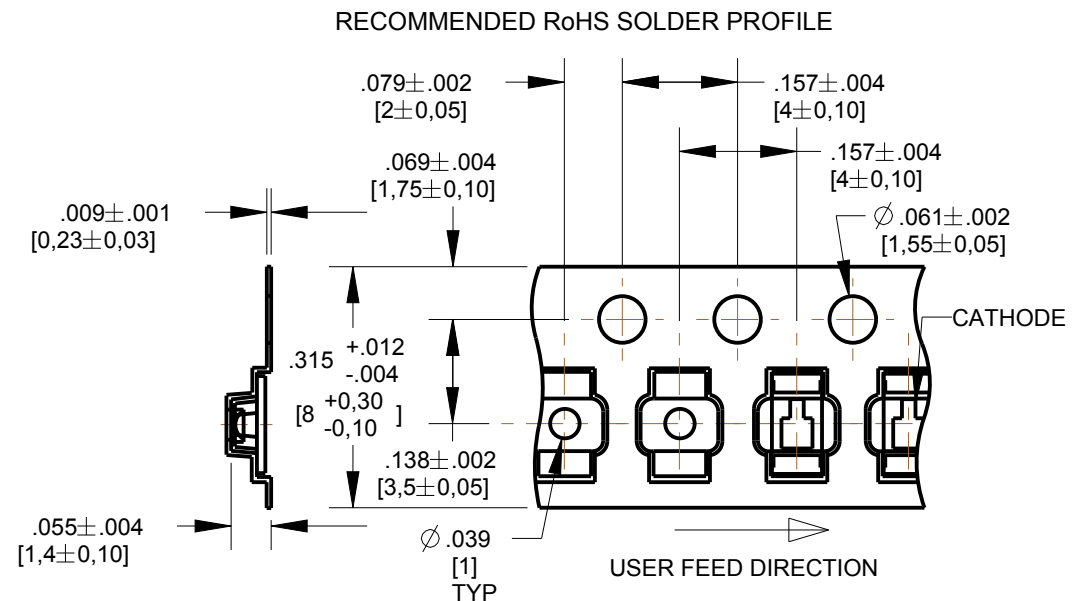
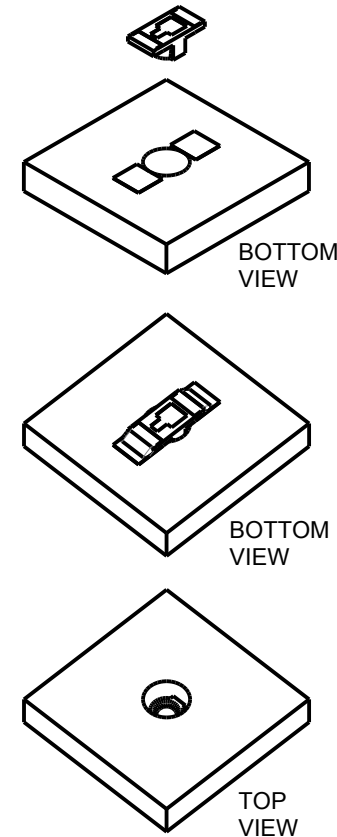
REV	ECN NO	REVISIONS	DRN	CKD	APP	DATE
A	—	NEW RELEASE	KLJ	N.O.	MES	2/28/08
B	—	UPDATED LED SPECS FOR 597-6301-602F,-607F & 597-6601-602F,-607F;ADDED BIN V	WFB	JTD	N.O.	10/3/14
C	—	UPDATED RECOMMENDED RoHS SOLDER PROFILE	BP	—	NO	3-29-17

ABSOLUTE MAXIMUM RATINGS AT 25° C AMBIENT	COLOR						UNITS
	RED	ORANGE	YELLOW	YELLOW-GREEN	GREEN	BLUE	
POWER DISSIPATION			75		76		mW
DC FORWARD CURRENT			30		20		mA
PEAK FORWARD CURRENT (1/10 DUTY CYCLE, 0.1 ms PULSE)			80		100		mA
DERATE LINEARLY FROM 25° C			0.4		0.25		mA/°C
REVERSE VOLTAGE			5				V
STORAGE TEMPERATURE			-55 TO +85				°C
OPERATING TEMPERATURE			-55 TO +85				°C
SOLDERING TEMPERATURE, FOR 5 SEC			260				°C



BIN CODE	LUMINOUS INTENSITY (mcd) @20mA	
	MIN	MAX
M	18.0	28.0
N	28.0	45.0
P	45.0	71.0
Q	71.0	112.0
R	112.0	180.0
S	180.0	280.0
T	280.0	450.0
U	450.0	710.0
V	710.0	1120.0

TOLERANCE ON EACH IV BIN IS: 15%



ATTENTION:
OBSERVE PRECAUTIONS FOR HANDLING ELECTROSTATIC SENSITIVE DEVICES

- NOTES:
1. LENS: WATER CLEAR
 2. LED CHIP: AlInGaP (RED, ORANGE, YELLOW, YELLOW-GREEN) InGaN (GREEN, BLUE)
 3. LEADS ARE GOLD (Au) PLATED FINISH.
 4. PACKAGING: -602F SUFFIX MEANS 20 PCS SAMPLE STRIP
-607F SUFFIX MEANS 3000 PARTS/REEL, 7 INCH (180mm) DIA. REEL.
 5. DIALIGHT PART NUMBERS: 597-6001-602F, -607F; 597-6201-602F, -607F; 597-6301-602F, -607F; 597-6401-602F, -607F; 597-6501-602F, -607F; 597-6601-602F, -607F.
 6. THIS ASSEMBLY CONTAINS ELECTROSTATIC DISCHARGE SENSITIVE DEVICES (ESDS). MAINTAIN ALL PRECAUTIONARY MEASURES DURING ASSEMBLY, HANDLING, AND STORAGE IN ACCORDANCE WITH IPC-A-610.
 7. MOISTURE SENSITIVITY LEVEL 3.
 8. TAPE AND REEL LEDS MAY REQUIRE RE-TAPING AFTER TWELVE MONTHS.

PACKAGE DIMENSIONS OF TAPE AND REEL

THIS DRAWING AND THE CONTENTS HEREIN ARE CONFIDENTIAL AND THE SOLE PROPERTY OF DIALIGHT CORP. REPRODUCTION OF THIS DRAWING OR CONSTRUCTION OF ANY PARTS WITHIN THIS DRAWING ARE FORBIDDEN WITHOUT THE WRITTEN CONSENT OF DIALIGHT CORP.		
SCALE: 15.000 ALL DIM'S: INCH (mm)	DRAWING NUMBER C-17596	REV C
TOLERANCES: UNLESS OTHERWISE SPECIFIED FRACTIONS: ±1/64 DECIMALS (.XX): ±.01 DECIMALS (.XXX): ±.005 DECIMALS (.XXXX): ±.0005 ANGLES: ±1°	TITLE 3.2mm x 1.6mm x 1.1mm REVERSE MOUNT LED; RoHS COMPLIANT	
FINISH	MATERIAL	
FSCM 83330		
	SHEET 1 OF 1	FAMILY TABLE:

1501 ROUTE 34 SOUTH
FARMINGDALE, NJ 07727
(732) 919-3119
www.dialight.com

X-ON Electronics

Largest Supplier of Electrical and Electronic Components

Click to view similar products for [Standard LEDs - SMD category](#):

Click to view products by [Dialight manufacturer](#):

Other Similar products are found below :

[LTST-C190KYKT](#) [LTST-C19GD2WT](#) [LTST-N683GBEW](#) [LTW-170ZDC](#) [598-8110-100F](#) [598-8170-100F](#) [598-8610-202F](#) [67-22VRVGC/TR8](#) [AAAF5060QBFSEEZGS](#) [HLMP-6305-L0011](#) [APT1608QGW](#) [15-21UYC/S530-A3/TR8](#) [EAST2012YA0](#) [EASV1803BA0](#) [LG M67K-H1J2-24-0-2-R18-Z](#) [LS A676-P2S1-1](#) [SML310BATT86](#) [SML-LX0606SISUGC/A](#) [SML-LXL1307SRC-TR](#) [SML-LXR851SIUPGUBC](#) [LT1ED53A](#) [FAT801-S](#) [AM27ZGC03](#) [APB3025SGNC](#) [APFA3010SURKCGKQBDC](#) [APHK1608VGCA](#) [APT2012QGW](#) [LTST-C250KGKT](#) [LTW-010DCG](#) [LTW-020ZDCG](#) [LTW-21TS5](#) [LTW-220DS5](#) [LY L29K-H1J2-26](#) [JANTXM19500/521-02](#) [UYGT801-S](#) [42-21UYC/S530-A3/TR8](#) [LO T67F-V1AB-24-1](#) [YGFR411-H](#) [598-8330-117F](#) [SML-LX0402IC-TR](#) [CMDA20AYAA7D1S](#) [CMDA16AYDR7A1X](#) [598-8040-100F](#) [598-8070-100F](#) [598-8140-100F](#) [598-8610-200F](#) [EAST2012GA0](#) [EAPL3527GA5](#) [EASV3020YGA0](#) [EAST1608RGBAO](#)