

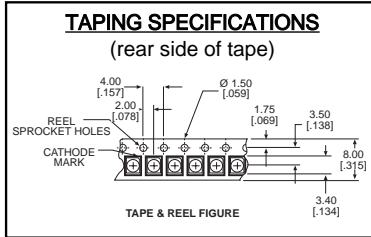
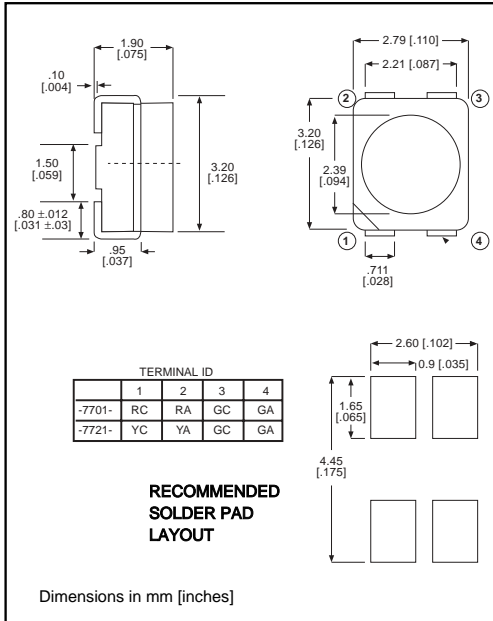


Surface Mount LED Bi-Color



597-7701-2xx
597-7721-2xx

1



PART NO.*	COLOR
597-7701-2xx	Red/Green
597-7721-2xx	Yellow/Green

Features

- Compatible with automatic placement equipment
- Compatible with infrared reflow processes
- Packaged on 8mm tape, 7" reels (meets EIA-481-1 standard)
- Helps to eliminate mixed technology PC board processing
- Compatible with Dialight's Optopipe™ Series light pipes

***ORDERING INFORMATION**

597-77x1-2xx

packaging option \uparrow

02	20 pieces on tape
07	7" reel, 1500 pcs/reel

ABSOLUTE MAXIMUM RATINGS (T _A =25°C)	Red/Green	Yellow/Green
	-7701	-7721
Power Dissipation (mW)	100/100	60/100
Forward Current (mA)	30/30	20/30
Derating (mA/°C) From 50°C	.6/.6	.4/.6
Peak Current (mA)	120/120	80/100
Pulse width 10 μs		
Operating Temperature (°C)	-55/+100	-55/+100
Storage Temperature (°C)	-55/+100	-55/+100
Soldering Profile	235°C peak 15 seconds, 185° for 90 seconds	

Solder Adherence per MIL-STD-202E, Method 208C

OPERATING CHARACTERISTICS (T _A =25°C)		Red/Green	Yellow/Green
		-7701	-7721
Luminous Intensity (mcd)	Min.	8/8	8/8
	Typical	16/16	16/16
Peak Wavelength (nm)	Typical	630/565	585/565
λ _{Peak}			
Viewing Angle (2Θ _{1/2})	Typical	120°	120°
Forward Voltage (V)	Typical	2/2.1	1.8/2.1
	Max.	2.6/2.6	2.7/2.6

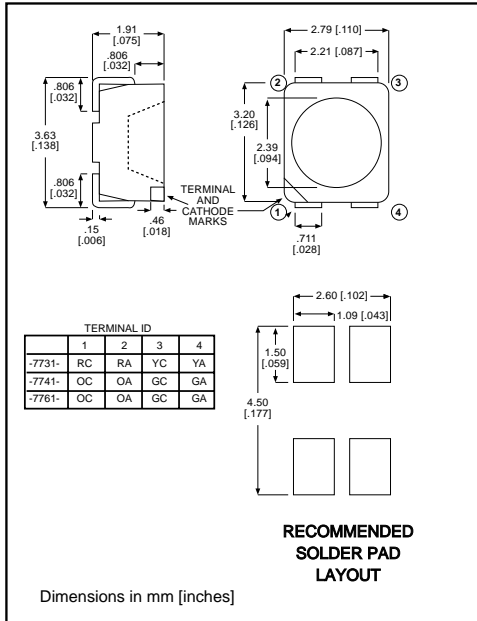
Θ_{1/2} is the off axis angle at which the luminous intensity is half the axial luminous intensity



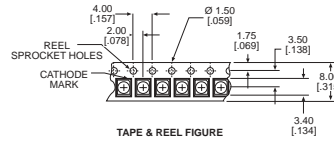
Surface Mount LED Bi-Color

Dialight

597-7731-2xx
597-7741-2xx
597-7761-2xx



TAPING SPECIFICATIONS (rear side of tape)



PART NO.*

COLOR

597-7731-2xx Red/Yellow
597-7741-2xx Orange/Green
597-7761-2xx Orange/
Pure Green



Features

- Compatible with automatic placement equipment
- Compatible with infrared reflow processes
- Packaged on 8mm tape, 7" reels (meets EIA-RS-481-1 standard)
- Helps to eliminate mixed technology PC board processing
- Compatible with Dialight's Optopipe™ Series light pipes

*ORDERING INFORMATION

597-77x1-2xx

packaging option

02	20 pieces on tape
07	7" reel, 2000 pcs/reel

ABSOLUTE MAXIMUM RATINGS (T _A =25°C)	Red/Yellow	Orange/Green	Orange/Pure Green
	-7731	-7741	-7761
Power Dissipation (mW)	100/100	100/100	100/100
Forward Current (mA)	30/30	30/30	30/30
Derating (mA/°C) From 55°C	.66/.66	.66/.66	.66/.66
Peak Current (mA)	500	500	500
Pulse width 10 μs			
Operating Temperature (°C)	-55/+100	-55/+100	-55/+100
Storage Temperature (°C)	-55/+100	-55/+100	-55/+100
Soldering Profile	235°C peak 15 seconds, 185° for 90 seconds		

Solder Adherence per MIL-STD-202E, Method 208C

OPERATING CHARACTERISTICS (T _A =25°C)	Red/Yellow	Orange/Green	Orange/Pure Green
	-7731	-7741	-7761
Luminous Intensity (mcd)	Min. 2.5/2.5	4/4	2.5/2.5
I _F =10mA	Typical 7.3/6.8	8/8	5/5
Peak Wavelength (nm)	Typical 635/586	610/565	610/557
λ _{Peak}			
Viewing Angle (2Θ ½)	Typical 120°	120°	120°
Forward Voltage (V)	Typical 2/2	2/2	2/2
I _F =10mA	Max. 2.6/2.6	2.6/2.6	2.6/2.6
Reverse Voltage (V), I _R =10μA	Min. 5	5	5

Θ^{1/2} is the off axis angle at which the luminous intensity is half the axial luminous intensity

X-ON Electronics

Largest Supplier of Electrical and Electronic Components

Click to view similar products for [Standard LEDs - SMD category](#):

Click to view products by [Dialight manufacturer](#):

Other Similar products are found below :

[LTST-C19GD2WT](#) [LTST-N683GBEW](#) [597-3006-607F](#) [597-3403-607F](#) [LTW-K140SZR40](#) [LTW-M140ZVS](#) [598-8110-100F](#) [598-8170-100F](#)
[598-8610-202F](#) [7012X7](#) [AAAF5060QBFSEEZGS](#) [12-22SURSYGC/S530-A3/E2/TR8](#) [1383SURT/S530-A3/TR1\(R\)](#) [APT1608QGW](#)
[EASV1803BA0](#) [SML310BATT86](#) [SML-512VWT86A](#) [SML-LX0606SISUGC/A](#) [SML-LXL1307SRC-TR](#) [SML-LXR851SIUPGUBC](#)
[LT1ED53A](#) [17-21/G6C-FM1N2B/3T](#) [FAT801-S](#) [SSL-LXA227IC-TR31A](#) [AM27ZGC03](#) [APB3025SGNC](#) [APHK1608VGCA](#) [APT2012QGW](#)
[CLMVC-FKA-CA1E1L81BB7C3C3](#) [CLYBA-FKA-CFHHL9BBB7A363](#) [CMD11504UR](#) [LTW-020ZDCG](#) [LTW-21TS5](#) [LTW-K140SZR30](#)
[HSMY-C177](#) [UYGT801-S](#) [KVH1C100MF6R](#) [42-21SYGC/S530-E1/TR8](#) [YGFR411-H](#) [597-2311-402F](#) [597-2712-602F](#) [5973212407NF](#)
[597-3302-607F](#) [597-5202-407F](#) [598-8330-117F](#) [SAW8WA2A-L35M40-CA](#) [SML013WBDW1](#) [SML-LX0402IC-TR](#) [CLMVC-FKA-](#)
[CLBDGL7LBB79353](#) [VLMKG3400-GS08](#)