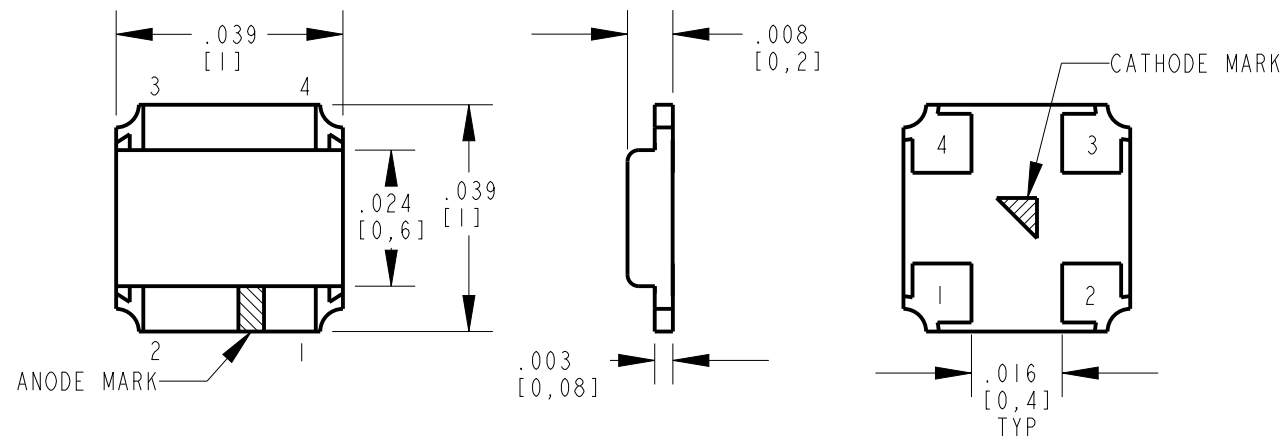


DIALIGHT PART NUMBER	COLOR	LED DIE	LED EPOXY COLOR
597-7717-502F, -507F	RED	AlGaInP	DIFFUSED WHITE
	GREEN	InGaN	
	BLUE		

RoHS COMPLIANT 597-7717-50XF

Part Numbers with the "F" suffix ending are RoHS Compliant.
 For example: 597-7717-502F
 Reel and bag packaging are marked with "RoHS Compliant" label or equivalent markings. These parts can be used with RoHS reflow profile. Parts can be wave soldered, dip soldered or hand soldered using typical lead-free soldering process with max 260°C temp. for 5 sec.



NOTES:

- DIALIGHT PART NUMBERS: 597-7717-50XF.
- TAPE & REEL MAY REQUIRE RE-TAPING AFTER 12 MONTHS.
- PIN NUMBERS ARE FOR REFERENCE ONLY. DESIGNATION NON-EXISTENT ON PART OR REEL TAPE.
- ...502F SUFFIX MEANS PARTS PACKAGED ON A 20 PC SAMPLE STRIP.
- ...507F SUFFIX MEANS PARTS PACKAGED ON A 7" [Ø180mm] REEL, 5,000 PCS/REEL.
- MOISTURE SENSITIVITY LEVEL: 3
- PACKAGING TO INCLUDE LABEL CONTAINING DIALIGHT PART NUMBER, DATE CODE/LOT NO., LUMINOUS INTENSITY AND COLOR BINS, QTY/REEL, AND COUNTRY OF ORIGIN.
- THIS ASSEMBLY CONTAINS ELECTROSTATIC DISCHARGE SENSITIVE DEVICES (ESDS). MAINTAIN ALL PRECAUTIONARY MEASURES DURING ASSEMBLY, HANDLING, AND STORAGE IN ACCORDANCE WITH IPC-A-610.
- THE ABSOLUTE MAXIMUM RATINGS ARE FOR THE CASE OF LIGHTING SINGLE COLOR, WHEN LIGHTING TWO COLORS AT SAME TIME EACH OF THE FIGURE IN THE ABSOLUTE MAX RATINGS SHOULD BE REDUCED DOWN TO 50% WHEN LIGHTING THREE COLORS REDUCED DOWN TO 30%

OPERATING CHARACTERISTICS AT 25°C AMBIENT

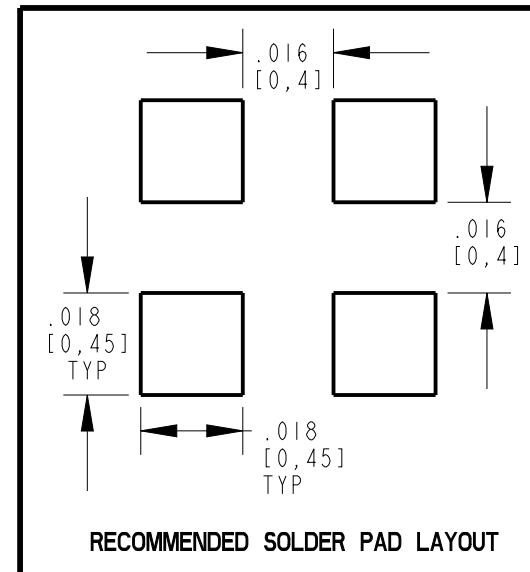
COLOR	LUMINOUS INTENSITY			FORWARD VOLTAGE		REVERSE CURRENT		DOMINANT WAVELENGTH				VIEWING ANGLE
	I _F	MIN (mcd)	TYP (mcd)	I _F	TYP (V)	V _R	MAX (µA)	I _F	MIN (nm)	TYP (nm)	MAX (nm)	TYP (DEG)
RED	5 mA	14	35	5 mA	2.1	5V	10	5 mA	619	624	629	120
GREEN		56	110		520				527	535	120	
BLUE		28	45		465				470	475	120	

ABSOLUTE MAXIMUM RATINGS AT 25°C AMBIENT

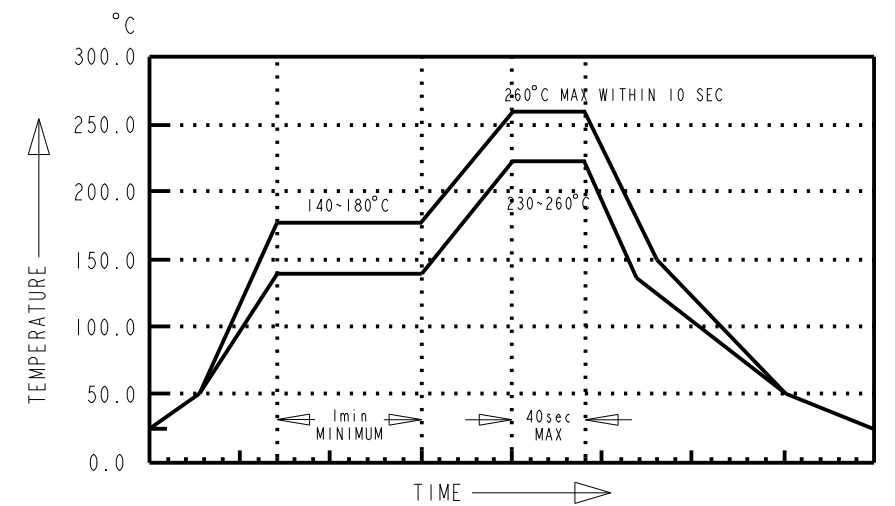
	COLOR			UNITS
	RED	GREEN	BLUE	
POWER DISSIPATION TOTAL LIGHTING ALL COLORS	35			mW
FORWARD CURRENT(SEE NOTE 8)	10			mA
PEAK FORWARD CURRENT (LESS THAN OR EQUAL TO 1/20 DUTY CYCLE, 1kHz)	50			mA
DERATE LINEARLY FROM 25°C	0.125			mA/°C
REVERSE VOLTAGE	5			V
STORAGE TEMPERATURE	-40 TO +100			°C
OPERATING TEMPERATURE	-40 TO +85			°C



ATTENTION:
OBSERVE PRECAUTIONS FOR HANDLING ELECTROSTATIC SENSITIVE DEVICES

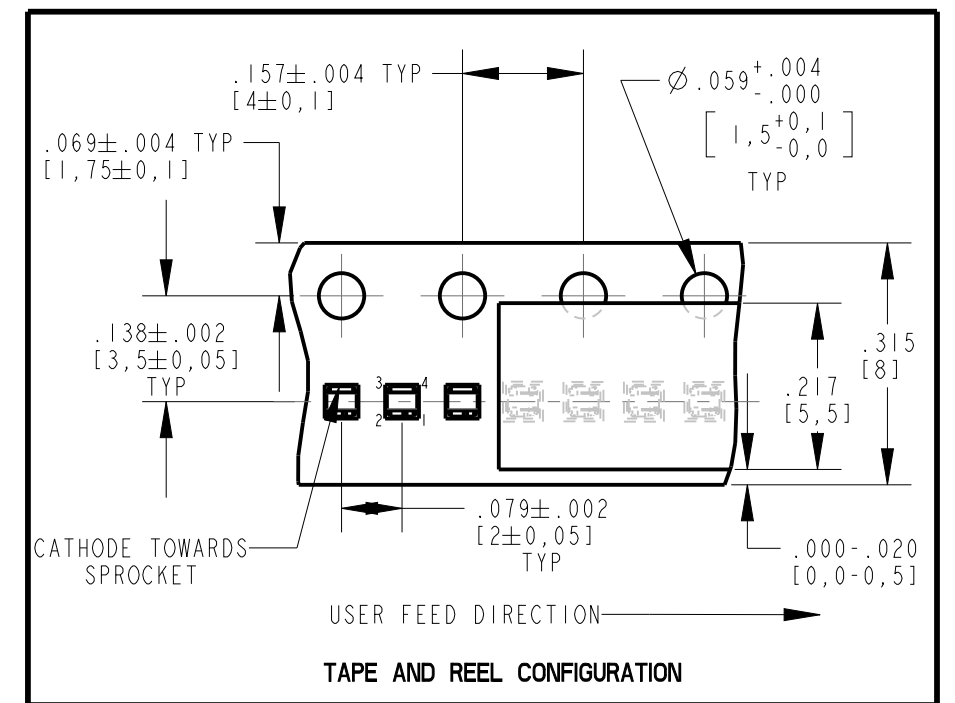


RECOMMENDED SOLDER PAD LAYOUT

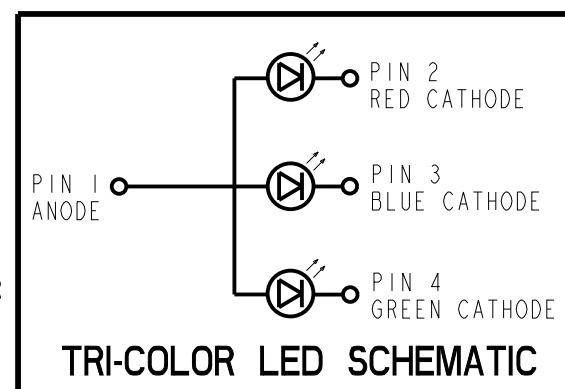


RECOMMENDED RoHS SOLDER PROFILE

ABOVE CONDITIONS ARE FOR REFERENCE.
SUGGEST CUSTOMER EVALUATE USING OWN CIRCUIT BOARDS AND REFLOW OVEN.



TAPE AND REEL CONFIGURATION



TRI-COLOR LED SCHEMATIC

THIS DRAWING AND THE CONTENTS HEREIN ARE CONFIDENTIAL AND THE SOLE PROPERTY OF DIALIGHT. REPRODUCTION OF THIS DRAWING OR CONSTRUCTION OF ANY PARTS WITHIN THIS DRAWING ARE FORBIDDEN WITHOUT THE WRITTEN CONSENT OF DIALIGHT.		
SCALE: 30.000	DRAWING NUMBER	REV
ALL DIM'S IN: INCHES (MM)	C-18002	B
TOLERANCES: UNLESS OTHERWISE SPECIFIED	TITLE	
FRACTIONS: ±1/64	0404 TRI-COLOR SMT LED	
DECIMALS (.XX): ±.01	MATERIAL	
DECIMALS (.XXX): ±.004		
DECIMALS (.XXXX): ±.0005		
ANGLES: ±1°		
FINISH:		
FSCM 83330	1501 ROUTE 34 SOUTH FARMINGDALE, NJ 07727	
	SHEET 1 OF 1	FAMILY TABLE:

X-ON Electronics

Largest Supplier of Electrical and Electronic Components

Click to view similar products for [Standard LEDs - SMD category](#):

Click to view products by [Dialight manufacturer](#):

Other Similar products are found below :

[LTST-C190KYKT](#) [LTST-C19GD2WT](#) [LTST-N683GBEW](#) [LTW-170ZDC](#) [598-8110-100F](#) [598-8170-100F](#) [598-8610-202F](#) [67-22VRVGC/TR8](#) [AAAF5060QBFSEEZGS](#) [HLMP-6305-L0011](#) [APT1608QGW](#) [15-21UYC/S530-A3/TR8](#) [EAST2012YA0](#) [EASV1803BA0](#) [LG M67K-H1J2-24-0-2-R18-Z](#) [LS A676-P2S1-1](#) [SML310BATT86](#) [SML-LX0606SISUGC/A](#) [SML-LXL1307SRC-TR](#) [SML-LXR851SIUPGUBC](#) [LT1ED53A](#) [FAT801-S](#) [AM27ZGC03](#) [APB3025SGNC](#) [APFA3010SURKCGKQBDC](#) [APHK1608VGCA](#) [APT2012QGW](#) [LTST-C250KGKT](#) [LTW-010DCG](#) [LTW-020ZDCG](#) [LTW-21TS5](#) [LTW-220DS5](#) [LY L29K-H1J2-26](#) [JANTXM19500/521-02](#) [UYGT801-S](#) [42-21UYC/S530-A3/TR8](#) [LO T67F-V1AB-24-1](#) [YGFR411-H](#) [598-8330-117F](#) [SML-LX0402IC-TR](#) [CMDA20AYAA7D1S](#) [CMDA16AYDR7A1X](#) [598-8040-100F](#) [598-8070-100F](#) [598-8140-100F](#) [598-8610-200F](#) [EAST2012GA0](#) [EAPL3527GA5](#) [SML-LXL1209SYC/ATR](#) [EASV3020YGA0](#)