

| PART NO.* | COLOR |
|--------------|--------------|
| 597-7701-2xx | Red/Green |
| 597-7721-2xx | Yellow/Green |

Features

- Compatible with automatic placement equipment
- Compatible with infrared reflow processes
- Packaged on 8mm tape, 7" reels (meets EIA-481-1 standard)
- Helps to eliminate mixed technology PC board processing
- Compatible with Dialight's Optopipe™ Series light pipes

***ORDERING INFORMATION**

597-77x1-2xx

packaging option \uparrow

| | |
|----|------------------------|
| 02 | 20 pieces on tape |
| 07 | 7" reel, 1500 pcs/reel |

| ABSOLUTE MAXIMUM RATINGS ($T_A=25^\circ\text{C}$) | Red/Green | Yellow/Green |
|--|--|--------------|
| | -7701 | -7721 |
| Power Dissipation (mW) | 100/100 | 60/100 |
| Forward Current (mA) | 30/30 | 20/30 |
| Derating (mA/°C) From 50°C | .6/.6 | .4/.6 |
| Peak Current (mA) | 120/120 | 80/100 |
| Pulse width 10 μs | | |
| Operating Temperature (°C) | -55/+100 | -55/+100 |
| Storage Temperature (°C) | -55/+100 | -55/+100 |
| Soldering Profile | 235°C peak 15 seconds, 185° for 90 seconds | |

Solder Adherence per MIL-STD-202E, Method 208C

| OPERATING CHARACTERISTICS ($T_A=25^\circ\text{C}$) | Red/Green | | Yellow/Green | |
|---|--------------|---------|--------------|--|
| | -7701 | | -7721 | |
| Luminous Intensity (mcd) | Min. | 8/8 | 8/8 | |
| $I_F=20\text{mA}$ | Typical | 16/16 | 16/16 | |
| Peak Wavelength (nm) | Typical | 630/565 | 585/565 | |
| λ Peak | | | | |
| Viewing Angle ($2\theta_{1/2}$) | Typical | 120° | 120° | |
| Forward Voltage (V) | Typical | 2/2.1 | 1.8/2.1 | |
| $I_F=20\text{mA}$ | Max. | 2.6/2.6 | 2.7/2.6 | |

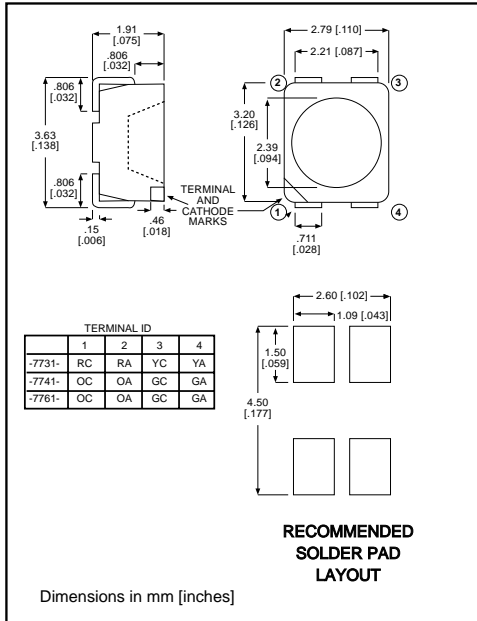
$\theta_{1/2}$ is the off axis angle at which the luminous intensity is half the axial luminous intensity



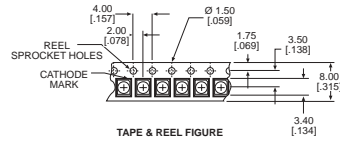
Surface Mount LED Bi-Color



597-7731-2xx
597-7741-2xx
597-7761-2xx



TAPING SPECIFICATIONS (rear side of tape)



PART NO.*

COLOR

597-7731-2xx Red/Yellow
597-7741-2xx Orange/Green
597-7761-2xx Orange/
Pure Green



Features

- Compatible with automatic placement equipment
- Compatible with infrared reflow processes
- Packaged on 8mm tape, 7" reels (meets EIA-RS-481-1 standard)
- Helps to eliminate mixed technology PC board processing
- Compatible with Dialight's Optopipe™ Series light pipes

*ORDERING INFORMATION

597-77x1-2xx

packaging option

| | |
|----|------------------------|
| 02 | 20 pieces on tape |
| 07 | 7" reel, 2000 pcs/reel |

| ABSOLUTE MAXIMUM RATINGS (T _A =25°C) | Red/Yellow | Orange/Green | Orange/Pure Green |
|---|--|--------------|-------------------|
| | -7731 | -7741 | -7761 |
| Power Dissipation (mW) | 100/100 | 100/100 | 100/100 |
| Forward Current (mA) | 30/30 | 30/30 | 30/30 |
| Derating (mA/°C) From 55°C | .66/.66 | .66/.66 | .66/.66 |
| Peak Current (mA) | 500 | 500 | 500 |
| Pulse width 10 μs | | | |
| Operating Temperature (°C) | -55/+100 | -55/+100 | -55/+100 |
| Storage Temperature (°C) | -55/+100 | -55/+100 | -55/+100 |
| Soldering Profile | 235°C peak 15 seconds, 185° for 90 seconds | | |

Solder Adherence per MIL-STD-202E, Method 208C

| OPERATING CHARACTERISTICS (T _A =25°C) | Red/Yellow | Orange/Green | Orange/Pure Green |
|--|-----------------|--------------|-------------------|
| | -7731 | -7741 | -7761 |
| Luminous Intensity (mcd) | Min. 2.5/2.5 | 4/4 | 2.5/2.5 |
| I _F =10mA | Typical 7.3/6.8 | 8/8 | 5/5 |
| Peak Wavelength (nm) | Typical 635/586 | 610/565 | 610/557 |
| λ _{Peak} | | | |
| Viewing Angle (2Θ ½) | Typical 120° | 120° | 120° |
| Forward Voltage (V) | Typical 2/2 | 2/2 | 2/2 |
| I _F =10mA | Max. 2.6/2.6 | 2.6/2.6 | 2.6/2.6 |
| Reverse Voltage (V), I _R =10μA | Min. 5 | 5 | 5 |

θ^{1/2} is the off axis angle at which the luminous intensity is half the axial luminous intensity

X-ON Electronics

Largest Supplier of Electrical and Electronic Components

Click to view similar products for [Standard LEDs - SMD category](#):

Click to view products by [Dialight manufacturer](#):

Other Similar products are found below :

[LTST-C190KYKT](#) [LTST-C19GD2WT](#) [LTST-N683GBEW](#) [LTW-170ZDC](#) [598-8110-100F](#) [598-8170-100F](#) [598-8610-202F](#) [67-22VRVGC/TR8](#) [AAAF5060QBFSEEZGS](#) [HLMP-6305-L0011](#) [APT1608QGW](#) [15-21UYC/S530-A3/TR8](#) [EAST2012YA0](#) [EASV1803BA0](#) [LG M67K-H1J2-24-0-2-R18-Z](#) [LS A676-P2S1-1](#) [SML310BATT86](#) [SML-LX0606SISUGC/A](#) [SML-LXL1307SRC-TR](#) [SML-LXR851SIUPGUBC](#) [LT1ED53A](#) [FAT801-S](#) [AM27ZGC03](#) [APB3025SGNC](#) [APFA3010SURKCGKQBDC](#) [APHK1608VGCA](#) [APT2012QGW](#) [LTST-C250KGKT](#) [LTW-010DCG](#) [LTW-020ZDCG](#) [LTW-21TS5](#) [LTW-220DS5](#) [LY L29K-H1J2-26](#) [JANTXM19500/521-02](#) [UYGT801-S](#) [42-21UYC/S530-A3/TR8](#) [LO T67F-V1AB-24-1](#) [YGFR411-H](#) [598-8330-117F](#) [SML-LX0402IC-TR](#) [CMDA20AYAA7D1S](#) [CMDA16AYDR7A1X](#) [598-8040-100F](#) [598-8070-100F](#) [598-8140-100F](#) [598-8610-200F](#) [EAST2012GA0](#) [EAPL3527GA5](#) [EASV3020YGA0](#) [EAST1608RGBAO](#)