

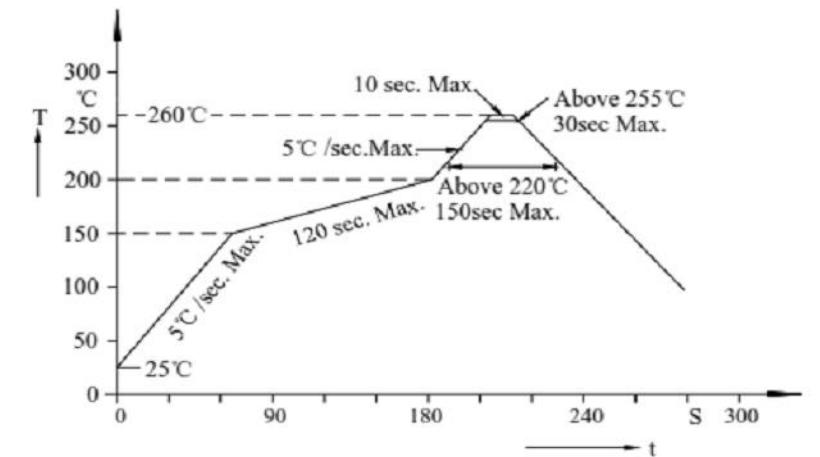
**OPERATING CHARACTERISTICS AT 25°C AMBIENT**

| DIALIGHT PART NUMBER           | COLOR      | LUMINOUS INTENSITY (mcd)<br>@ I <sub>F</sub> = 20 mA |     | FORWARD VOLTAGE (V)<br>@ I <sub>F</sub> = 20 mA |     | REVERSE CURRENT (mA)<br>@ V <sub>R</sub> = 5 V | DOMINANT WAVELENGTH |     | VIEWING ANGLE (DEG) |
|--------------------------------|------------|--|-----|---|-----|--|---------------------|-----|---------------------|
|                                |            | MIN  | MAX | MIN   | MAX | MAX  | MIN                 | MAX | TYP                 |
| 598-8810-302F<br>598-8810-307F | RED        | 35   | 100 | 1.8   | 2.4 | 10   | 630                 | 640 | 160                 |
|                                | GREEN      | 200  | 560 | 2.7   | 3.5 |  | 515                 | 530 |                     |
|                                | BLUE       | 60   | 200 | 2.7   | 3.5 |  | 465                 | 475 |                     |
| 598-8820-302F<br>598-8820-307F | RED-ORANGE | 70   | 200 | 1.8   | 2.4 | 10   | 600                 | 610 | 160                 |
|                                | GREEN      | 200  | 560 | 2.7   | 3.5 |  | 515                 | 530 |                     |
|                                | BLUE       | 60   | 200 | 2.7   | 3.5 |  | 465                 | 475 |                     |
| 598-8830-302F<br>598-8830-307F | YELLOW     | 70   | 200 | 1.8   | 2.4 | 10   | 587                 | 597 | 160                 |
|                                | GREEN      | 200  | 560 | 2.7   | 3.5 |  | 515                 | 530 |                     |
|                                | BLUE       | 60   | 200 | 2.7   | 3.5 |  | 465                 | 475 |                     |

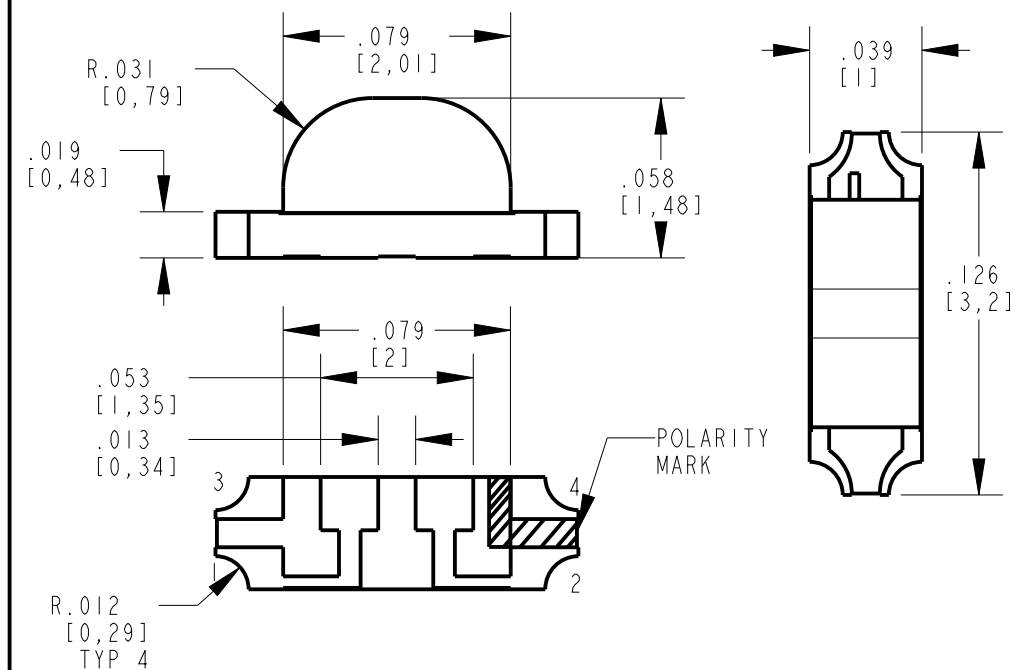
**ABSOLUTE MAXIMUM RATINGS AT 25°C AMBIENT**

| POWER DISS. (mW) | DC FORWARD CURRENT (mA) | ELECTRO-STATIC DISCHARGE (HBM) | REVERSE VOLTAGE (V) | STORAGE TEMP. (C) | OPERATING TEMP. (C) | SOLDERING TEMP. (1/10 SEC) |
|------------------|-------------------------|--------------------------------|---------------------|-------------------|---------------------|----------------------------|
| 48               | 20                      | 1000                           | 5                   | -40 TO +100       | -40 TO +100         | 260 °C                     |
| 68               |                         |                                |                     |                   |                     |                            |
| 68               |                         |                                |                     |                   |                     |                            |
| 48               | 20                      | 1000                           | 5                   | -40 TO +100       | -40 TO +100         | 260 °C                     |
| 68               |                         |                                |                     |                   |                     |                            |
| 68               |                         |                                |                     |                   |                     |                            |
| 48               | 20                      | 1000                           | 5                   | -40 TO +100       | -40 TO +100         | 260 °C                     |
| 68               |                         |                                |                     |                   |                     |                            |
| 68               |                         |                                |                     |                   |                     |                            |

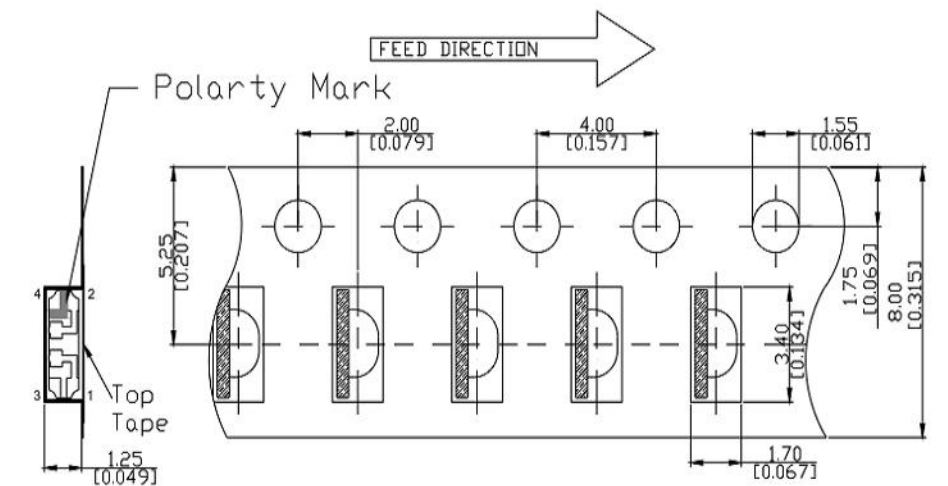
| REV | REVISIONS               | DRN | CKD | APP | DATE     |
|-----|-------------------------|-----|-----|-----|----------|
| A   | NEW RELEASE             | BP  | —   | SK  | 11-15-16 |
| B   | ADDED 302F PART NUMBERS | LD  |     | NO  | 12-19-19 |



**RECOMMENDED RoHS SOLDER PROFILE**



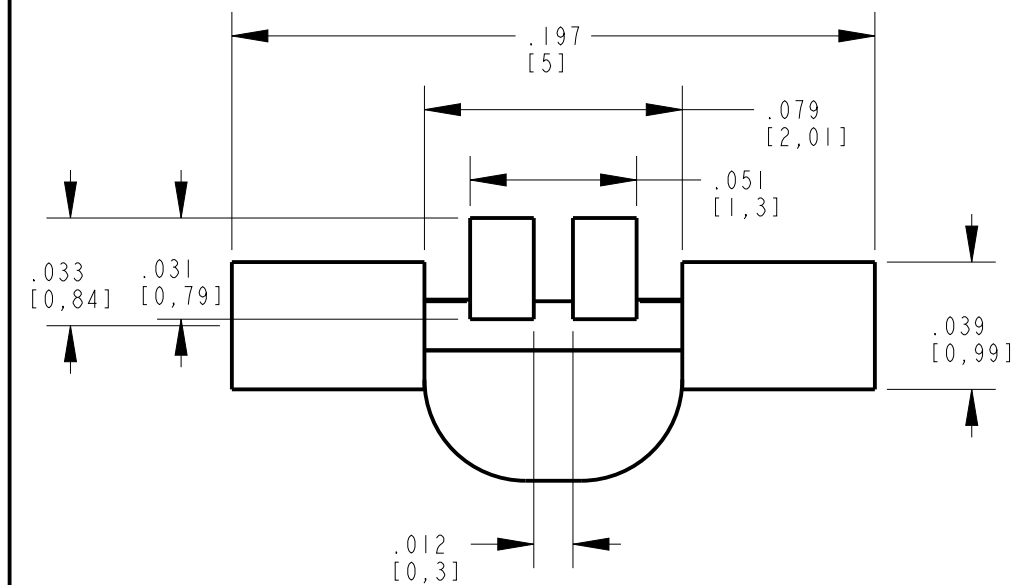
**LED SCHEMATICS**



**RECOMMENDED DIMENSIONS OF TAPE AND REEL**

**RoHS COMPLIANT 598-88XX-30XF**

Part Numbers with the "F" suffix ending are RoHS Compliant. For example: 597-7725-60XF. Packaging is marked with "RoHS Compliant" label or equivalent markings. These parts can be used with RoHS reflow profile. Parts can be wave soldered, dip soldered or hand soldered using typical lead-free soldering process with max 260°C temp. for 5 sec.



**RECOMMENDED SOLDER PAD LAYOUT**

**NOTES:**

- LED CHIP: InGaN AND ALLnGaP
- LEADS ARE GOLD (Au) PLATED FINISH.
- PACKAGING: 8mm TAPE, 7" REEL AND 20 PCS STRIP.
- THIS ASSEMBLY CONTAINS ELECTROSTATIC DISCHARGE SENSITIVE DEVICES (ESDS). MAINTAIN ALL PRECAUTIONARY MEASURES DURING ASSEMBLY, HANDLING, AND STORAGE IN ACCORDANCE WITH IPC-A-610.
- MOISTURE SENSITIVITY LEVEL 3.
- TAPE AND REEL LEDS MAY REQUIRE RE-TAPING AFTER TWELVE MONTHS.
- PIN NUMBERS FOR REFERENCE ONLY, DESIGNATION NON-EXISTENT ON PART.



**ATTENTION:**  
OBSERVE PRECAUTIONS FOR  
HANDLING ELECTROSTATIC  
SENSITIVE DEVICES

|   |  |               |
|---|--|---------------|
| THIS DRAWING AND THE CONTENTS HEREIN ARE CONFIDENTIAL AND THE SOLE PROPERTY OF DIALIGHT CORP. REPRODUCTION OF THIS DRAWING OR CONSTRUCTION OF ANY PARTS WITHIN THIS DRAWING ARE FORBIDDEN WITHOUT THE WRITTEN CONSENT OF DIALIGHT CORP. |  |               |
| SCALE: 15.000<br>ALL DIM'S: INCH (mm)   | DRAWING NUMBER<br>C-18301  | REV<br>B      |
| TOLERANCES:<br>UNLESS OTHERWISE SPECIFIED<br>FRACTIONS: ±1/64<br>DECIMALS (.XX): ±.01<br>DECIMALS (.XXX): ±.005<br>DECIMALS (.XXXX): ±.0005<br>ANGLES: ±1°  | TITLE<br>SM LED 1208 TRI COLOR   |               |
| FINISH  | MATERIAL   |               |
| FSCM 83330  | <br>1501 ROUTE 34 SOUTH<br>FARMINGDALE, NJ 07727<br>(732) 919-3119<br>www.dialight.com |               |
| SHEET 1 OF 1  |  | FAMILY TABLE: |

## X-ON Electronics

Largest Supplier of Electrical and Electronic Components

*Click to view similar products for [Standard LEDs - SMD category](#):*

*Click to view products by [Dialight manufacturer](#):*

Other Similar products are found below :

[LTST-C190KYKT](#) [LTST-C19GD2WT](#) [LTST-N683GBEW](#) [LTW-170ZDC](#) [598-8110-100F](#) [598-8170-100F](#) [598-8610-202F](#) [67-22VRVGC/TR8](#) [AAAF5060QBFSEEZGS](#) [HLMP-6305-L0011](#) [APT1608QGW](#) [15-21UYC/S530-A3/TR8](#) [EAST2012YA0](#) [EASV1803BA0](#) [LG M67K-H1J2-24-0-2-R18-Z](#) [LS A676-P2S1-1](#) [SML310BATT86](#) [SML-LX0606SISUGC/A](#) [SML-LXL1307SRC-TR](#) [SML-LXR851SIUPGUBC](#) [LT1ED53A](#) [FAT801-S](#) [AM27ZGC03](#) [APB3025SGNC](#) [APFA3010SURKCGKQBDC](#) [APHK1608VGCA](#) [APT2012QGW](#) [LTST-C250KGKT](#) [LTW-010DCG](#) [LTW-020ZDCG](#) [LTW-21TS5](#) [LTW-220DS5](#) [LY L29K-H1J2-26](#) [JANTXM19500/521-02](#) [UYGT801-S](#) [42-21UYC/S530-A3/TR8](#) [LO T67F-V1AB-24-1](#) [YGFR411-H](#) [598-8330-117F](#) [SML-LX0402IC-TR](#) [CMDA20AYAA7D1S](#) [CMDA16AYDR7A1X](#) [598-8040-100F](#) [598-8070-100F](#) [598-8140-100F](#) [598-8610-200F](#) [EAST2012GA0](#) [EAPL3527GA5](#) [EASV3020YGA0](#) [EAST1608RGBAO](#)