



## Certifications & Ratings

- RoHS compliant

## Application

The 606 Series LED Panel Mount Indicators are designed for a variety of applications such as:

- Main power indication
  - Remote power indication
  - Status indication
  - Maintenance and warning indication
  - Instrumentation
- ... and many more!

## Dimensions

inches [mm]

Figure 1

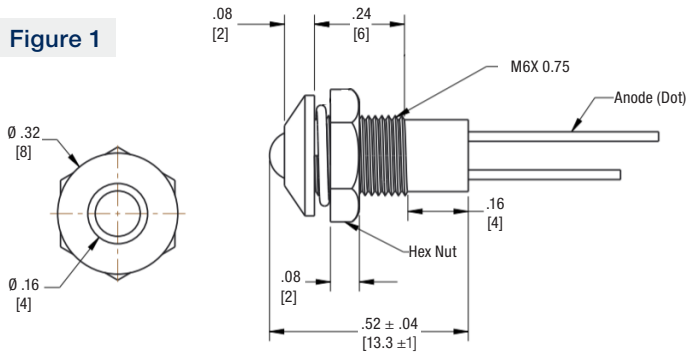


Figure 2

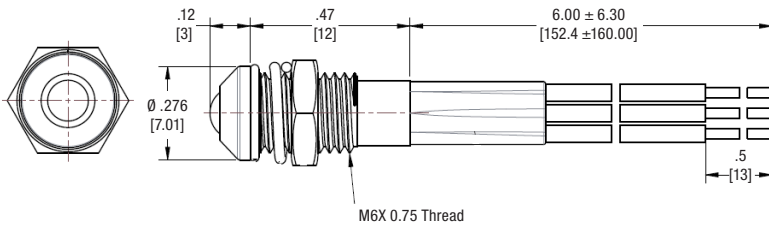


Figure 3

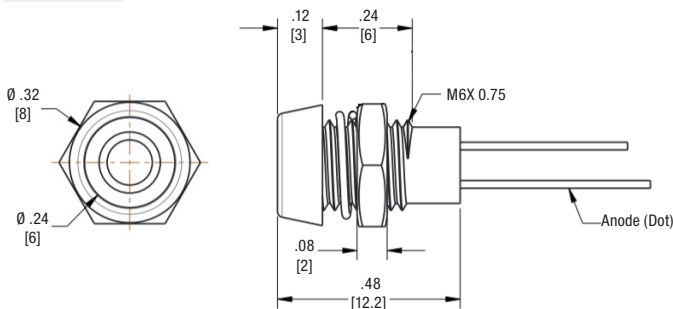
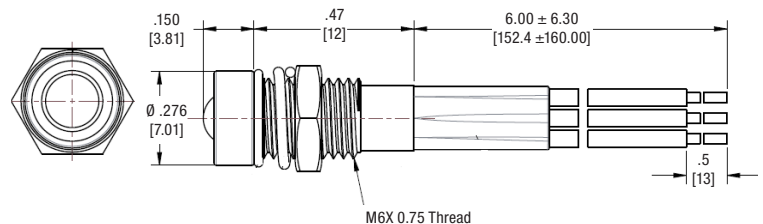


Figure 4



## Mechanical Information

- Mounting Hole Size:** 0.244" (6.2 mm)
- Max Panel Thickness:** 0.138" (3.5 mm)
- Mounting Torque:** 0.362 lbs/ft (5 kg/cm) torque

## Specifications

- Voltage Options:** 2 and 3 VDC (resistor required)  
6 and 12 VDC / bi-color (no resistor required)
- Operating temp:** -25 °C to +85 °C (-13 °F to +185 °F)
- Storage Temp:** -25 °C to +100 °C (-13 °F to +212 °F)
- Electrical Connection:** Through hole and 26 AWG wire leads (bi-color only)
- Housing:** Brass—Chrome Plated
- Terminals:** Copper—Nickel Plated
- Wire Leads:** 6" on bi-color only
- Lock washer:** Iron—Nickel Plated
- Nut:** Brass—Nickel Plated



## Ordering Information 606 Series

Part Number	Color	Voltage (VDC)	Current (mA)	Typical Intensity* (mcd)	LED Position	Finish	Figure
606-1111-110F	● Red	2	5	45	Protruding	Chrome	1
606-1211-110F	● Green		15	70			
606-1311-110F	● Yellow			60			
606-1215-110F	● Green			70			1 w/ Wire Leads
606-1415-110F	●● Red/Green	3	10	40/50	2		
606-1415-120F	●● Red/Green	6		40/50			
606-1415-130F	●● Red/Green	12		40/50			
606-2111-110F	● Red	2	5	45	Recess		3
606-2211-110F	● Green		15	70			
606-2311-110F	● Yellow			60			
606-2415-110F	●● Red/Green	3	10	40/50		4	
606-2415-120F	●● Red/Green	6		40/50			
606-2415-130F	●● Red/Green	12		40/50			

\*Bi-color intensity (Red/Green)

## X-ON Electronics

Largest Supplier of Electrical and Electronic Components

*Click to view similar products for [LED Panel Mount Indicators](#) category:*

*Click to view products by [Dialight](#) manufacturer:*

Other Similar products are found below :

[607-3232-140F](#) [821-0331-503](#) [FL2870C8R](#) [FL2950WL7B](#) [FL2950WL8G](#) [FL589WL8R](#) [FL67C8R](#) [H8630FBBA3](#) [NL177WL2A](#)  
[NL177WL3G](#) [NL276C2A](#) [NL2950BWL3G](#) [NL589WL2R](#) [NL67C2C](#) [NL67C3R](#) [C480AABG3](#) [L32R-R2-2311](#) [L3353-MWRG](#) [L39UR-R24-2111](#) [L58D-G2-W](#) [L58D-Y2-W](#) [L59D-R12-W](#) [L59UD-R12-W](#) [L625DG](#) [L625DR](#) [LE177WL39007](#) [LE2950BWL39018](#) [LH1048BSWL3702](#)  
[LH1048BWL3702](#) [LH382A](#) [LH677G](#) [LHM628A](#) [FL276WL7R](#) [FL2950BWL7R](#) [FL2950WL7R](#) [FL2950WL8R](#) [FL2950WL8R-12](#)  
[FL2951WL8G](#) [FL2951WL8R](#) [FL589C7R](#) [FL67WL8G](#) [MPC5BCW18.0](#) [556-1605-808F](#) [556-1705-809F](#) [556-3008-839F](#) [558-0201-818F](#)  
[559-0001-813F](#) [559-1301-801F](#) [559-3501-804F](#) [VL1CK0P600](#)