



Certifications & Ratings

- RoHS compliant
- NEMA 4X (Watertight only)
- IP66 (Watertight only)

Application

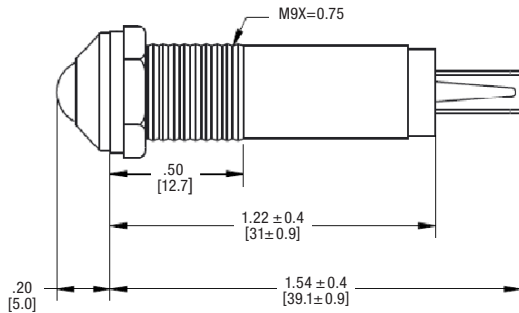
The 609 Series LED Panel Mount Indicators are designed for a variety of applications such as:

- Main power indication
 - Remote power indication
 - Status indication
 - Maintenance and warning indication
 - Instrumentation
- ... and many more!

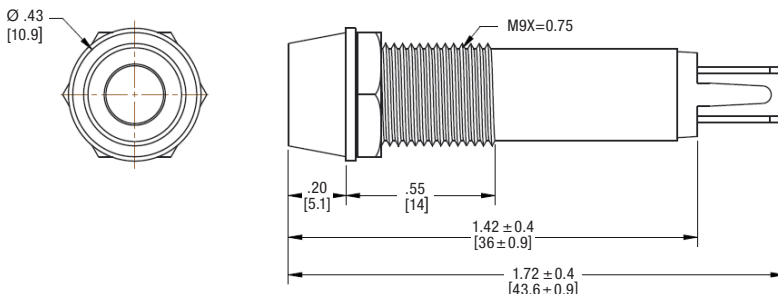
Dimensions

inches [mm]

Protruding



Recessed



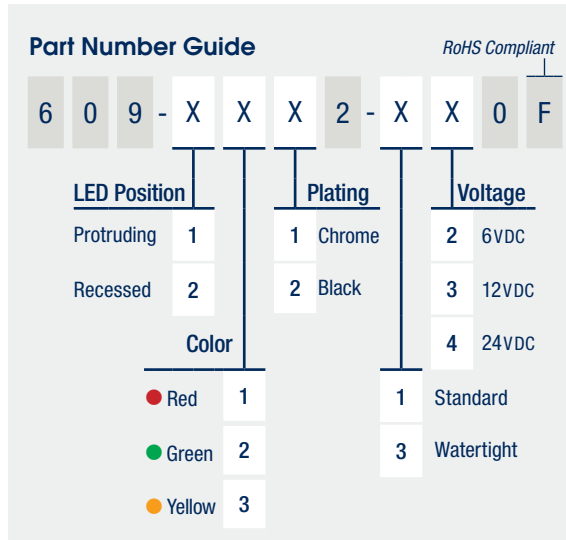
Mechanical Information

- Mounting Hole Size:** 0.374" (9.5 mm)
Max Panel Thickness: 0.374" (9.5 mm);
with Gasket: 0.318" (8.0 mm)
Mounting Torque: 0.362 lbs/ft (5 kg/cm)

Specifications

- Voltage Options:** 6, 12 & 24 V DC (no resistor required)
Operating Temp: -30 °C to +85 °C (-22 °F to +185 °F)
Storage Temp: -40 °C to +85 °C (-40 °F to +185 °F)
Electrical Connection: Solder terminals
Housing: Brass—Chrome or Black Plated
Terminals: Copper—Nickel Plated
Lock washer: Iron—Nickel Plated
Nut: Brass—Nickel Plated

Ordering Information 609 Series



Protruding LED

Part Number	Part Number	Color	Voltage (V DC)	Current (mA)	Intensity Typ. (mcd)	Plating	
Standard	Watertight						
609-1112-120F	609-1112-320F	Red	6	15	85	Chrome	
609-1212-120F	609-1212-320F	Green			115		
609-1312-120F	609-1312-320F	Yellow			90		
609-1112-130F	609-1112-330F	Red	12		85		Chrome
609-1212-130F	609-1212-330F	Green			115		
609-1312-130F	609-1312-330F	Yellow			90		
609-1112-140F	609-1112-340F	Red	24		85	Black	
609-1212-140F	609-1212-340F	Green			115		
609-1312-140F	609-1312-340F	Yellow			90		
609-1122-120F	609-1122-320F	Red	6		85		Black
609-1222-120F	609-1222-320F	Green			115		
609-1322-120F	609-1322-320F	Yellow			90		
609-1122-130F	609-1122-330F	Red	12		85	Black	
609-1222-130F	609-1222-330F	Green			115		
609-1322-130F	609-1322-330F	Yellow			90		
609-1122-140F	609-1122-340F	Red	24	85	Black		
609-1222-140F	609-1222-340F	Green		115			
609-1322-140F	609-1322-340F	Yellow		90			

Recessed LED

Part Number	Part Number	Color	Voltage (V DC)	Current (mA)	Intensity Typ. (mcd)	Plating	
Standard	Watertight						
609-2112-120F	609-2112-320F	Red	6	15	85	Chrome	
609-2212-120F	609-2212-320F	Green			115		
609-2312-120F	609-2312-320F	Yellow			90		
609-2112-130F	609-2112-330F	Red	12		85		Chrome
609-2212-130F	609-2212-330F	Green			115		
609-2312-130F	609-2312-330F	Yellow			90		
609-2112-140F	609-2112-340F	Red	24		85	Black	
609-2212-140F	609-2212-340F	Green			115		
609-2312-140F	609-2312-340F	Yellow			90		
609-2122-120F	609-2122-320F	Red	6		85		Black
609-2222-120F	609-2222-320F	Green			115		
609-2322-120F	609-2322-320F	Yellow			90		
609-2122-130F	609-2122-330F	Red	12		85	Black	
609-2222-130F	609-2222-330F	Green			115		
609-2322-130F	609-2322-330F	Yellow			90		
609-2122-140F	609-2122-340F	Red	24	85	Black		
609-2222-140F	609-2222-340F	Green		115			
609-2322-140F	609-2322-340F	Yellow		90			

Dialight reserves the right to make changes at any time in order to supply the best product possible. The most current version of this document will always be available at: www.dialightsignalsandcomponents.com

Warranty Statement: Except for the warranty expressly provided for [herein/above/below], Dialight disclaims any and all other warranties, express or implied, including, without limitation, any warranties of merchantability, fitness for a particular purpose, title, and noninfringement.

X-ON Electronics

Largest Supplier of Electrical and Electronic Components

Click to view similar products for [LED Panel Mount Indicators](#) category:

Click to view products by [Dialight](#) manufacturer:

Other Similar products are found below :

[607-3232-140F](#) [821-0331-503](#) [FL2870C8R](#) [FL2950WL7B](#) [FL2950WL8G](#) [FL589WL8R](#) [FL67C8R](#) [H8630FBBA3](#) [NL177WL2A](#)
[NL177WL3G](#) [NL276C2A](#) [NL2950BWL3G](#) [NL589WL2R](#) [NL67C2C](#) [NL67C3R](#) [C480AABG3](#) [L32R-R2-2311](#) [L3353-MWRG](#) [L39UR-R24-2111](#) [L58D-G2-W](#) [L58D-Y2-W](#) [L59D-R12-W](#) [L59UD-R12-W](#) [L625DG](#) [L625DR](#) [LE177WL39007](#) [LE2950BWL39018](#) [LH1048BSWL3702](#)
[LH1048BWL3702](#) [LH382A](#) [LH677G](#) [LHM628A](#) [FL276WL7R](#) [FL2950BWL7R](#) [FL2950WL7R](#) [FL2950WL8R](#) [FL2950WL8R-12](#)
[FL2951WL8G](#) [FL2951WL8R](#) [FL589C7R](#) [FL67WL8G](#) [MPC5BCW18.0](#) [556-1605-808F](#) [556-1705-809F](#) [556-3008-839F](#) [558-0201-818F](#)
[559-0001-813F](#) [559-1301-801F](#) [559-3501-804F](#) [VL1CK0P600](#)