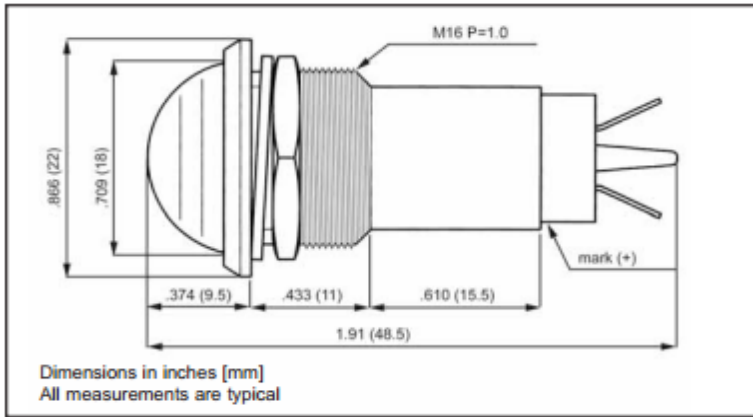




## 616 Series Panel Mount Indicators



### Certifications & Ratings

- RoHS Compliant

### Features & Benefits

- Low power consumption - uses up to 90% less energy than an incandescent indicator
- No heat generated
- Long life, lasting up to 100K hours
- Colors include red, green, and yellow
- Front panel mounting

### Application:

The 616 Series LED Panel Mount Indicators are designed for a variety of applications such as:

- Main power indication
- Remote power indication
- Status indication
- Maintenance and warning indication
- Instrumentation

...and many more!

### Mechanical Information

Mounting Hole Size:	0.642" (16.3 mm)
Max Panel Thickness:	0.236" (6.3 mm)
Mounting Torque:	0.217 lbs/ft (3 kg/cm) torque

### Electrical specifications

Operating Voltage:	6, 12, and 24V DC (no resistor required)
Operating Temp:	-25°C to +85°C
Storage Temp:	-25°C to +100°C
Electrical connection	Solder terminals

### Construction

Housing:	Polycarbonate
----------	---------------



## 616 Series - Panel Mount Indicators Ordering Information

Part Number	Color	Voltage (V DC)	Current (mA)	Intensity Typ. (mcd)
616-1132-120F	Red	6	15	60
616-1232-120F	Green	6	15	110
616-1332-120F	Yellow	6	15	90
616-1132-130F	Red	12	15	60
616-1232-130F	Green	12	15	110
616-1332-130F	Yellow	12	15	90
616-1132-140F	Red	24	15	60
616-1232-140F	Green	24	15	110
616-1332-140F	Yellow	24	15	90

Dialight reserves the right to make changes at any time in order to supply the best product possible. The most current version of this document will always be available at: [www.dialight.com/Assets/Brochures\\_And\\_Catalogs/Illumination/MDEL616CR.pdf](http://www.dialight.com/Assets/Brochures_And_Catalogs/Illumination/MDEL616CR.pdf). Warranty Statement: EXCEPT FOR THE WARRANTY EXPRESSLY PROVIDED FOR [HEREIN/ABOVE/BELOW], DIALIGHT DISCLAIMS ANY AND ALL OTHER WARRANTIES, EXPRESS OR IMPLIED, INCLUDING, WITHOUT LIMITATION, ANY WARRANTIES OF MERCHANTABILITY, FITNESS FOR A PARTICULAR PURPOSE, TITLE, AND NON-INFRINGEMENT.

## X-ON Electronics

Largest Supplier of Electrical and Electronic Components

*Click to view similar products for [LED Panel Mount Indicators](#) category:*

*Click to view products by [Dialight](#) manufacturer:*

Other Similar products are found below :

[607-3232-140F](#) [821-0331-503](#) [FL2870C8R](#) [FL2950WL7B](#) [FL2950WL8G](#) [FL589WL8R](#) [FL67C8R](#) [H8630FBBA3](#) [NL177WL2A](#)  
[NL177WL3G](#) [NL276C2A](#) [NL2950BWL3G](#) [NL589WL2R](#) [NL67C2C](#) [NL67C3R](#) [C480AABG3](#) [L32R-R2-2311](#) [L3353-MWRG](#) [L39UR-R24-2111](#) [L58D-G2-W](#) [L58D-Y2-W](#) [L59D-R12-W](#) [L59UD-R12-W](#) [L625DG](#) [L625DR](#) [LE177WL39007](#) [LE2950BWL39018](#) [LH1048BSWL3702](#)  
[LH1048BWL3702](#) [LH382A](#) [LH677G](#) [LHM628A](#) [FL276WL7R](#) [FL2950BWL7R](#) [FL2950WL7R](#) [FL2950WL8R](#) [FL2950WL8R-12](#)  
[FL2951WL8G](#) [FL2951WL8R](#) [FL589C7R](#) [FL67WL8G](#) [MPC5BCW18.0](#) [556-1605-808F](#) [556-1705-809F](#) [556-3008-839F](#) [558-0201-818F](#)  
[559-0001-813F](#) [559-1301-801F](#) [559-3501-804F](#) [VL1CK0P600](#)