



### Certifications & Ratings

- RoHS compliant

### Application

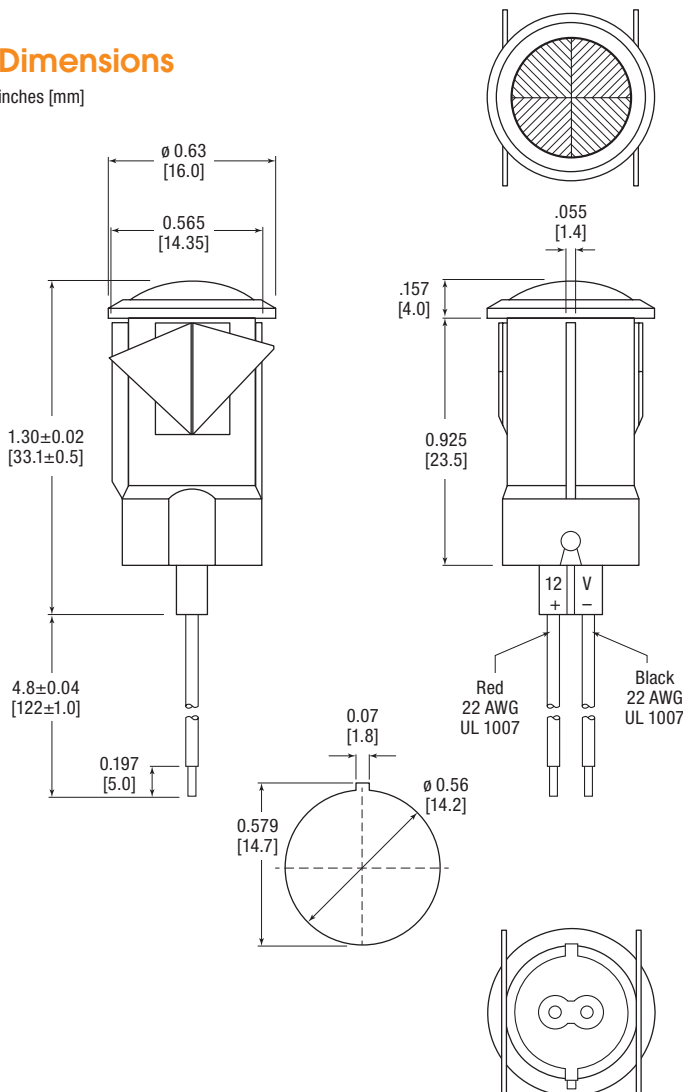
The 653 Series LED Panel Mount Indicators are designed with the unique feature of flexible tabs that allow for mounting to panels of thicknesses ranging from 0.027" (0.7 mm) to 0.138" (3.5 mm). They are ideal for a variety of applications, such as:

- Main power indication
- Remote power indication
- Status indication
- Maintenance and warning indication
- Instrumentation

... and many more!

### Dimensions

inches [mm]



### Mechanical Information

**Mounting Hole Size:** 0.579" (14.7 mm)

**Max Panel Thickness:** 0.138" (3.5 mm)

### Specifications

**Voltage Options:** 12 & 24 VDC (no resistor required)

**Operating temp:** -20°C to +80°C (-4°F to +176°F)

**Storage Temp:** -20°C to +80°C (-4°F to +176°F)

**Electrical Connection:** 5" wire leads

**Housing:** Polycarbonate

**Wire Leads:** 22 AWG

Dialight P/N	Color	Voltage (V DC)	Current (mA)	Typical Intensity (mcd)
653-1103-103F	Red	12	20	845
653-1203-103F	Green			600
653-1303-103F	Yellow			465
653-1403-103F	Blue			390
653-1104-103F	Red	24	20	845
653-1204-103F	Green			600
653-1304-103F	Yellow			465
653-1404-103F	Blue			390



**Ordering Information** 653 Series

**Part Number Guide**

6	5	3	-	X	X	X	X	-	1	0	X	F
				<b>Lens Style</b>					<b>Voltage</b>		<b>Termination</b>	
				Flat	1				3	12VDC	3	Wire Leads
									4	24VDC		
								<b>Color</b>				
						1	0	Red				
						2	0	Green				
						3	0	Yellow				
						4	0	Blue				

*RoHS Compliant*

Dialight reserves the right to make changes at any time in order to supply the best product possible. The most current version of this document will always be available at: [www.dialightsignalsandcomponents.com](http://www.dialightsignalsandcomponents.com)  
**Warranty Statement:** Except for the warranty expressly provided for [herein/above/below], Dialight disclaims any and all other warranties, express or implied, including, without limitation, any warranties of merchantability, fitness for a particular purpose, title, and noninfringement.

## X-ON Electronics

Largest Supplier of Electrical and Electronic Components

*Click to view similar products for [LED Panel Mount Indicators](#) category:*

*Click to view products by [Dialight](#) manufacturer:*

Other Similar products are found below :

[607-3232-140F](#) [821-0331-503](#) [FL2870C8R](#) [FL2950WL7B](#) [FL2950WL8G](#) [FL589WL8R](#) [FL67C8R](#) [H8630FBBA3](#) [NL177WL2A](#)  
[NL177WL3G](#) [NL276C2A](#) [NL2950BWL3G](#) [NL589WL2R](#) [NL67C2C](#) [NL67C3R](#) [C480AABG3](#) [L32R-R2-2311](#) [L3353-MWRG](#) [L39UR-R24-2111](#) [L58D-G2-W](#) [L58D-Y2-W](#) [L59D-R12-W](#) [L59UD-R12-W](#) [L625DG](#) [L625DR](#) [LE177WL39007](#) [LE2950BWL39018](#) [LH1048BSWL3702](#)  
[LH1048BWL3702](#) [LH382A](#) [LH677G](#) [LHM628A](#) [FL276WL7R](#) [FL2950BWL7R](#) [FL2950WL7R](#) [FL2950WL8R](#) [FL2950WL8R-12](#)  
[FL2951WL8G](#) [FL2951WL8R](#) [FL589C7R](#) [FL67WL8G](#) [MPC5BCW18.0](#) [556-1605-808F](#) [556-1705-809F](#) [556-3008-839F](#) [558-0201-818F](#)  
[559-0001-813F](#) [559-1301-801F](#) [559-3501-804F](#) [VL1CK0P600](#)