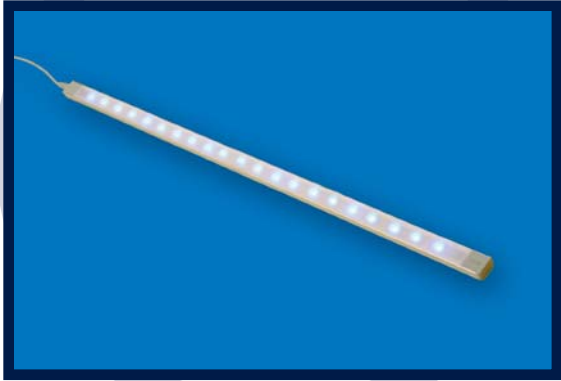


# Dialight

## VEHICLE LOW PROFILE STRIP LIGHT



### FEATURES / BENEFITS

- ▲ Ultra slim design
- ▲ Improved safety
- ▲ Eliminates ballast
- ▲ Maximum visual effect
- ▲ Low maintenance
- ▲ High reliability
- ▲ Instant on/off
- ▲ Constant light output @ 12-24 vdc
- ▲ Complies with APTA 5.4.4.6
- ▲ 12 year warranty

### APPLICATIONS

Dialight's low profile strip light can be used in a wide range of lighting applications, especially those areas which benefit from its ultra slim profile, low energy and long operating life. They are designed around the latest LED technology and represents true innovation in lighting, delivered in a package which blends seamlessly into its surroundings. Low profile strip lights can be used for interior general illumination, as a fluorescent tube replacement, underseat and compartment lighting applications.

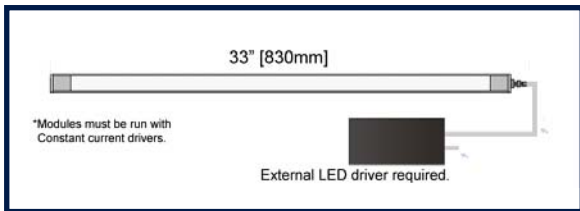
### OPERATING CONDITIONS

- ▲ Ambient temperature -20C° to +55C° (-4°F to +131°F)

### MATERIALS/FINISH

- ▲ Anodized Aluminum

### MECHANICAL DIMENSIONS

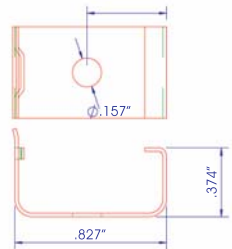


### MOUNTING INFORMATION

- ▲ Mounting screws & spring clips included.



2 supplied per module



Matl: Spring Steel Bright Zinc Plated

### Dialight Corporation

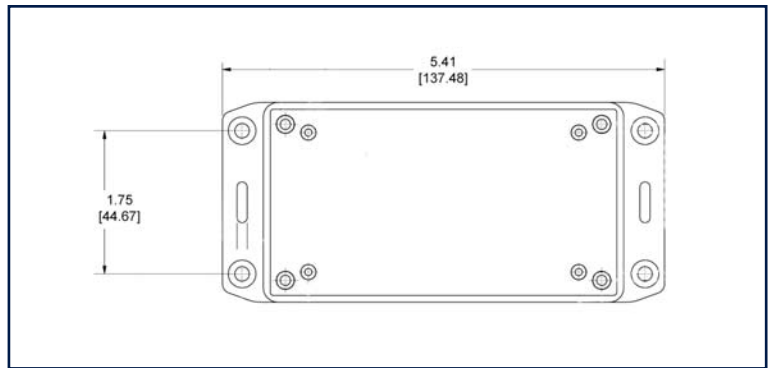
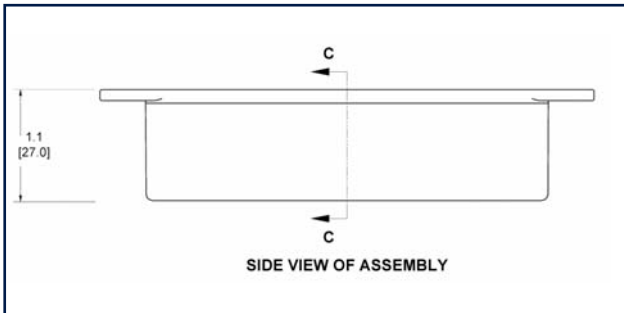
1501 Route 34 South • Farmingdale, NJ 07727 USA

Tel: (1) 732-919-3119 • Fax: (1) 732-751-5778 • www.dialight.com

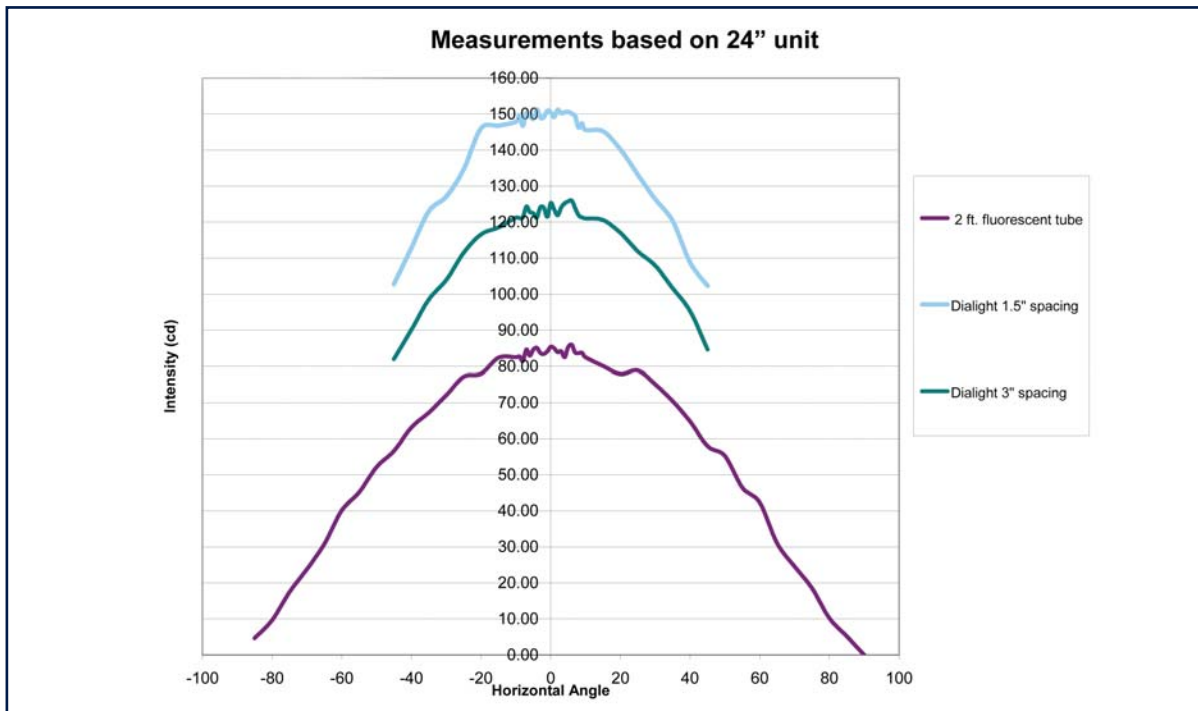


MDTBLUMCL\_C

## POWER SUPPLY DIMENSIONS



## PHOTOMETRIC DATA



## PART NUMBER

Part Number	Description	Length Inches [mm]	Current Draw Typ.	Voltage
86004CB826	.5" LED spacing	33" [857.3 mm]	12 volts 1.45 amps 24 volts 730mAmps	12-24 vdc
86004CB801	1.5" LED spacing	33" [857.3 mm]	12 volts 1.45 amps 24 volts 730mAmps	12-24 vdc
86004CB802	3" LED spacing	33" [857.3 mm]	12 volts 1.45 amps 24 volts 730mAmps	12-24 vdc
86004CB827	.5" LED spacing	48" [1206.9 mm]	24 volts 1100mAmps	12-24 vdc

Dialight Corporation

1501 Route 34 South • Farmingdale, NJ 07727 USA

Tel: (1) 732-919-3119 • Fax: (1) 732-751-5778 • www.dialight.com



MDTBLUMCL\_C

## X-ON Electronics

Largest Supplier of Electrical and Electronic Components

*Click to view similar products for [Panel Mount Indicator Lamps](#) category:*

*Click to view products by [Dialight](#) manufacturer:*

Other Similar products are found below :

[6073-001-534R](#) [1301860183](#) [MS18237-1RN](#) [2150A4](#) [2150QA4](#) [2153A5](#) [2194A1-12V](#) [2195QA3-28V](#) [2390QD1-28V](#) [2390QD3-28V](#)  
[2390QD5-28V](#) [252-9951-0937-801](#) [2620T1](#) [2113A5](#) [2151A1](#) [2195A1-28V](#) [2195A3-28V](#) [2195A5-28V](#) [2195QA5-28V](#) [2330QD1](#) [2390QD4-](#)  
[28V](#) [252-9951-0973-811](#) [2990P1-12V](#) [2990P6-28V](#) [CNW1-6838](#) [507-3835-0935-600F](#) [507-3836-0937-600F](#) [507-3838-1431-600F](#) [507-](#)  
[3909-1471-600](#) [507-3909-1471-600F](#) [507-3909-1475-600F](#) [507-3918-1571-600](#) [507-5166-3337-500F](#) [507-5337-0935-670F](#) [507-5337-1531-](#)  
[670F](#) [DNW1-DW4812.5MMBLA BASE](#) [507-3836-0937-600](#) [507-3907-1471-600](#) [507-3909-1472-600F](#) [507-3914-1437-600F](#) [507-5164-](#)  
[3337-500F](#) [507-5167-3337-500F](#) [507-5168-3337-500](#) [507-5168-3337-500F](#) [507-5337-0933-670F](#) [507-5337-1533-670F](#) [507-5338-0933-630](#)  
[1032D5](#) [1052QN5](#) [1053QA5](#)