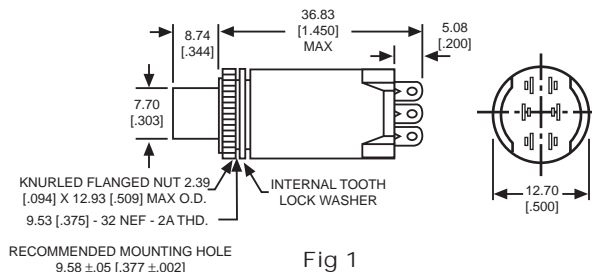


913 SERIES LED SWITCH

MOMENTARY ACTION 0.1 AMP AT 125 VAC OR 30 VDC

PART NO.	COLOR	CONTACT CIRCUIT	FIG
913-1551-1631-525	RED	N.O.	1
913-1553-1631-525	RED	TWO CIRCUIT	1
913-1601-1632-525	GREEN	N.O.	1
913-1603-1632-525	GREEN	TWO CIRCUIT	1
913-1604-1633-525	YELLOW	N.O.	1
913-1606-1633-525	YELLOW	TWO CIRCUIT	1

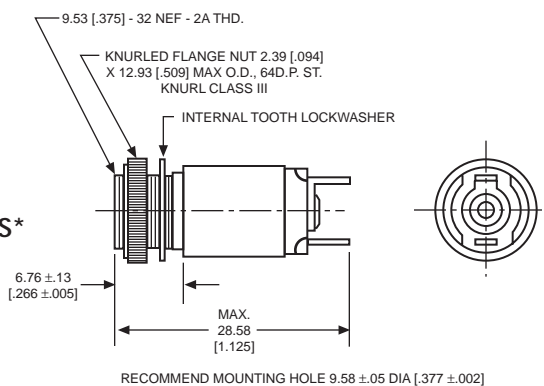


Material & Finish: Base, Black Anodized Aluminum. Cap, High Impact Plastic

Dimensions in mm [inches]

911 SERIES INDICATOR

PART NO.	CAP	FIG
911-1112-525	2	



Uses:
T-1 3/4 MIDGET
FLANGE BASE
INCANDESCENT
LAMP OR BASED
LED LAMP

911 SERIES CAPS

CYLINDRICAL LENS WITH FRESNEL RINGS*

CAP PART NO.	COLOR	FIG
911-1631	RED	3
911-1632	GREEN	3
911-1633	YELLOW	3
911-1634	BLUE	3
911-1635	WHITE	3

*Not recommended for use with legends

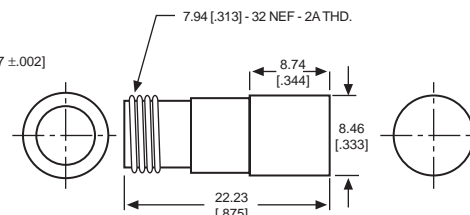
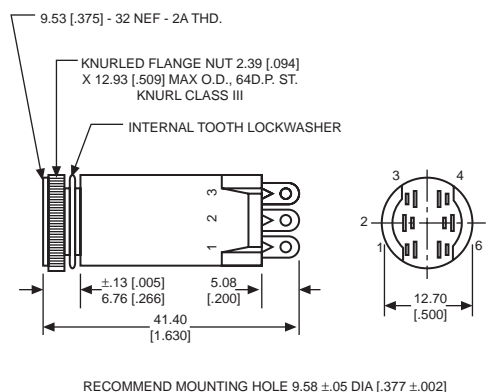


Fig. 2

Fig. 3

922 SERIES MOMENTARY SWITCH

PART NO.	SWITCH FORMS	FIG
922-1524-525	Normally Open	4
922-1526-525	Two Circuit	4



Uses:
T-1 3/4 MIDGET
FLANGE BASE
INCANDESCENT
LAMP OR BASED
LED LAMP

Fig. 4

908 SERIES CAPS

CYLINDRICAL LENS WITH FRESNEL RINGS*

CAP PART NO.	COLOR	FIG
908-1631	RED	5
908-1632	GREEN	5
908-1633	YELLOW	5
908-1634	BLUE	5
908-1635	WHITE	5

*Not recommended for use with legends

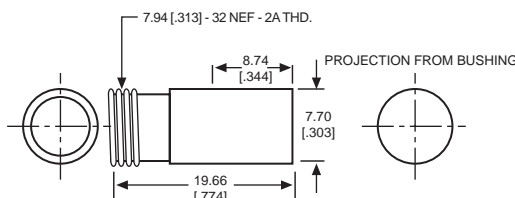


Fig. 5

Neon and incandescent lamp information on Pages 35 and 36.

Based LED lamp information on Pages 37 through 40.

Dimensions in mm [inches]

X-ON Electronics

Largest Supplier of Electrical and Electronic Components

Click to view similar products for [Illuminated Pushbutton Switches](#) category:

Click to view products by [Dialight](#) manufacturer:

Other Similar products are found below :

[95-313.000](#) [95-414.000](#) [95-900.005](#) [PV3H2B0NN-341](#) [A165L-AGA-T1-2](#) [A30NZ-MNM-TGA](#) [A3AA-91K1-00EG](#) [A3PA-5702-24E](#) [A3U-TMW-A2C-5M](#) [14-030.005](#) [14-271.025](#) [14-132.025](#) [MS3470L12-3SY L/C](#) [MS3470L22-55SZ L/C](#) [18-257.035](#) [18-287.035](#) [19-050.005](#) [19-139.035](#) [19-159.015](#) [19-471.035](#) [IPR3SAD1L0Y](#) [22-212.011](#) [22-223.011](#) [95-900.009](#) [A017101](#) [A165L-JRM-T1-2](#) [A30NZ-MNM-TYA](#) [A3AT-90K1-00EG](#) [A3AT-90K1-00ER](#) [A3PA-5701-12E](#) [A3SA-90D1-28W](#) [18-187.035](#) [19-031.005](#) [19-451.035](#) [22-225.011](#) [PV3H2B0NN-305](#) [31-426.036](#) [31-455.036](#) [31-463.036](#) [3FTH98020](#) [51-131.022](#) [31-051.006](#) [IPR3SAD2LSG](#) [41-461.036](#) [51-265.0](#) [51-455.036](#) [51-463.036](#) [02-617.011](#) [02-618.011](#) [02-616.011](#)