

## Features

- Single 1.7V - 2.0V Supply
- Serial Peripheral Interface (SPI) and Quad Peripheral Interface (QPI) Compatible
  - Supports SPI Modes 0 and 3
  - Supports Dual Output Read and Quad I/O Program and Read
  - Supports QPI Program and Read
  - 133 MHz Maximum Operating Frequency
  - Clock-to-Output ( $t_{V1}$ ) of 6 ns
  - Up to 65 MB/S continuous data transfer rate
- Quad Enabled (factory default setting: see [Section 6.7](#))
- Full Chip Erase
- Flexible, Optimized Erase Architecture for Code and Data Storage Applications
  - 0.6 ms Typical Page Program (256 Bytes) Time
  - 60 ms Typical 4 Kbyte Block Erase Time
  - 200 ms Typical 32 Kbyte Block Erase Time
  - 350 ms Typical 64 Kbyte Block Erase Time
- Hardware Controlled Locking of Status Registers via  $\overline{WP}$  Pin
- 4K-bit secured One-Time Programmable Security Register
- Hardware Write Protection
- Serial Flash Discoverable Parameters (SFDP) Register
- Flexible Programming
  - Byte/Page Program (1 to 256 Bytes)
  - Dual or Quad Input Byte/Page Program (1 to 256 Bytes)
- Erase/Program Suspend and Resume
- JEDEC Standard Manufacturer and Device ID Read Methodology
- Low Power Dissipation
  - 2  $\mu$ A Deep Power-Down Current (Typical)
  - 10  $\mu$ A Standby current (Typical)
  - 5 mA Active Read Current (Typical)
- Endurance: 100,000 program/erase cycles (4KB, 32KB or 64KB blocks)
- Data Retention: 20 Years
- Industrial Temperature Range: -40°C to +85°C
- Industry Standard Green (Pb/Halide-free/RoHS Compliant) Package Options
  - 8-lead SOIC (208-mil)
  - 8-pad DFN (6 x 5 x 0.6 mm)
  - 21-ball die Ball Grid Array (dBGGA - WLCSP)

# 1. Introduction

The Adesto® AT25QL128A is a serial interface Flash memory device designed for use in a wide variety of high-volume consumer based applications in which program code is shadowed from Flash memory into embedded or external RAM for execution. The flexible erase architecture of the AT25QL128A is ideal for data storage as well, eliminating the need for additional data storage devices.

The erase block sizes of the AT25QL128A have been optimized to meet the needs of today's code and data storage applications. By optimizing the size of the erase blocks, the memory space can be used much more efficiently. Because certain code modules and data storage segments must reside by themselves in their own erase regions, the wasted and unused memory space that occurs with large block erase Flash memory devices can be greatly reduced. This increased memory space efficiency allows additional code routines and data storage segments to be added while still maintaining the same overall device density.

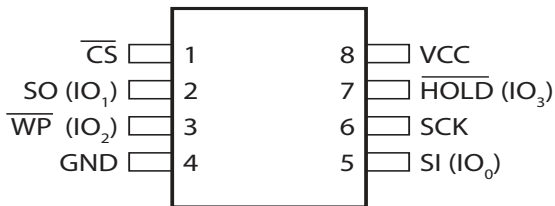
SPI clock frequencies of up to 133 MHz are supported allowing equivalent clock rates of 266 MHz for Dual Output and 532 MHz for Quad Output when using the QPI and Fast Read Dual/Quad I/O instructions. The AT25QL128A array is organized into 65,536 programmable pages of 256-bytes each. Up to 256 bytes can be programmed at a time using the Page Program instructions. Pages can be erased 4KB Block, 32KB Block, 64KB Block or the entire chip.

The devices operate on a single 1.7V to 2.0V power supply with current consumption as low as 5mA active and 2µA for Deep Power Down. All devices offered in space-saving packages. The device supports JEDEC standard manufacturer and device identification with a 4K-bit Secured OTP.

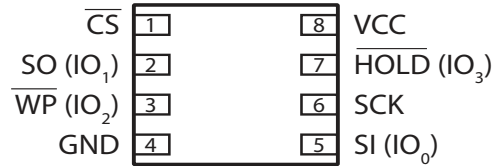
## 2. Pinouts and Pin Descriptions

The following figures show the available package types.

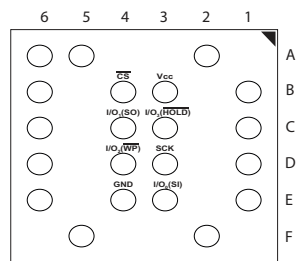
**Figure 1-1. 8-SOIC (Top View)**



**Figure 1-2. 8-UDFN (Top View)**



**Figure 1-3. 21-WLCSP (Bottom View)**



During all operations,  $V_{CC}$  must be held stable and within the specified valid range:  $V_{CC}$  (min) to  $V_{CC}$  (max). All of the input and output signals must be held high or low (according to voltages of  $V_{IH}$ ,  $V_{OH}$ ,  $V_{IL}$  or  $V_{OL}$ ).

**Table 1-1. Pin Descriptions**

Symbol	Name and Function	Asserted State	Type
$\overline{\text{CS}}$	<p><b>CHIP SELECT</b></p> <p>When this input signal is high, the device is deselected and serial data output pins are at high impedance. Unless an internal program, erase or write status register cycle is in progress, the device will be in the standby power mode (this is not the deep power down mode). Driving Chip Select (<math>\overline{\text{CS}}</math>) low enables the device, placing it in the active power mode. After power-up, a falling edge on Chip Select (<math>\overline{\text{CS}}</math>) is required prior to the start of any instruction.</p>	Low	Input
SCK	<p><b>SERIAL CLOCK</b></p> <p>This input signal provides the timing for the serial interface. Instructions, addresses, or data present at serial data input are latched on the rising edge of Serial Clock (SCK). Data are shifted out on the falling edge of the Serial Clock (SCK).</p>	-	Input
SI (I/O <sub>0</sub> )	<p><b>SERIAL INPUT</b></p> <p>The SI pin is used to shift data into the device. The SI pin is used for all data input including command and address sequences. Data on the SI pin is always latched in on the rising edge of SCK.</p> <p>With the Dual-Output and Quad-Output Read commands, the SI Pin becomes an output pin (I/O<sub>0</sub>) in conjunction with other pins to allow two or four bits of data on (I/O<sub>3-0</sub>) to be clocked in on every falling edge of SCK</p> <p>To maintain consistency with the SPI nomenclature, the SI (I/O<sub>0</sub>) pin is referenced as the SI pin unless specifically addressing the Dual-I/O and Quad-I/O modes in which case it is referenced as I/O<sub>0</sub>.</p> <p>Data present on the SI pin is ignored whenever the device is deselected (<math>\overline{\text{CS}}</math> is deasserted).</p>	-	Input/Output
SO (I/O <sub>1</sub> )	<p><b>SERIAL OUTPUT</b></p> <p>The SO pin is used to shift data out from the device. Data on the SO pin is always clocked out on the falling edge of SCK.</p> <p>With the Dual-Output Read commands, the SO Pin remains an output pin (I/O<sub>0</sub>) in conjunction with other pins to allow two bits of data on (I/O<sub>1-0</sub>) to be clocked in on every falling edge of SCK</p> <p>To maintain consistency with the SPI nomenclature, the SO (I/O<sub>1</sub>) pin is referenced as the SO pin unless specifically addressing the Dual-I/O modes in which case it is referenced as I/O<sub>1</sub>. The SO pin is in a high-impedance state whenever the device is deselected (<math>\overline{\text{CS}}</math> is deasserted).</p>	-	Input/Output
$\overline{\text{WP}}$ (I/O <sub>2</sub> )	<p><b>WRITE PROTECT</b></p> <p>The Write Protect (<math>\overline{\text{WP}}</math>) pin can be used to protect the Status Register against data modification. Used in company with the Status Register's Block Protect (SEC, TB, BP2, BP1 and BP0) bits and Status Register Protect SRP) bits, a portion or the entire memory array can be hardware protected. The <math>\overline{\text{WP}}</math> pin is active low. When the QE bit of Status Register-2 is set for Quad I/O, the <math>\overline{\text{WP}}</math> pin (Hardware Write Protect) function is not available since this pin is used for IO<sub>2</sub>. See figures 1-1, 1-2, and 1-3 for the pin configuration of Quad I/O and QPI operation.</p>	-	Input/Output

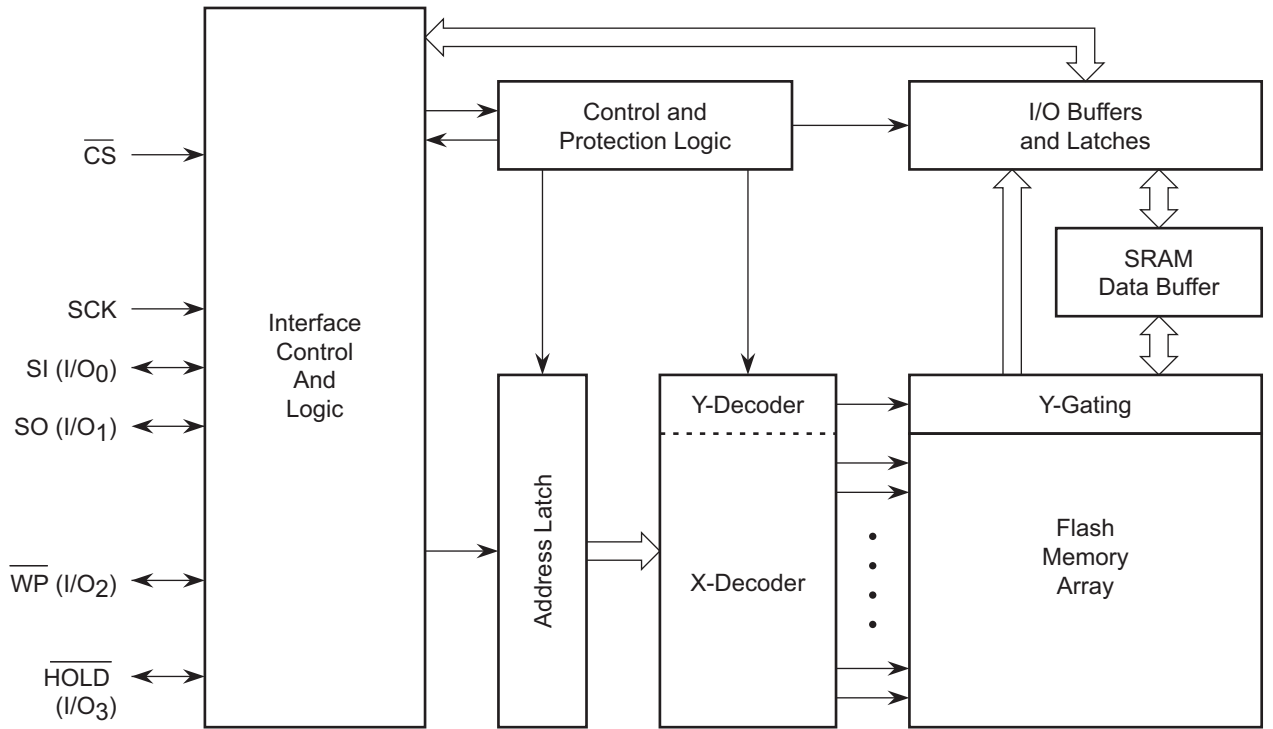
**Table 1-1. Pin Descriptions (Continued)**

Symbol	Name and Function	Asserted State	Type
$\overline{\text{HOLD}}$ (I/O <sub>3</sub> )	<p><b>HOLD</b></p> <p>The <math>\overline{\text{HOLD}}</math> pin is used to temporarily pause serial communication without deselecting or resetting the device. While the <math>\overline{\text{HOLD}}</math> pin is asserted, transitions on the SCK pin and data on the SI pin are ignored and the SO pin is placed in a high-impedance state.</p> <p>The <math>\overline{\text{CS}}</math> pin must be asserted, and the SCK pin must be in the low state in order for a Hold condition to start. A Hold condition pauses serial communication only and does not have an effect on internally self-timed operations such as a program or erase cycle.</p> <p>With the Quad-Input Byte/Page Program command, the <math>\overline{\text{HOLD}}</math> pin becomes an input pin (I/O<sub>3</sub>) and with other pins, allows four bits (on I/O<sub>3-0</sub>) of data to be clocked in on every rising edge of SCK. With the Quad-Output Read commands, the <math>\overline{\text{HOLD}}</math> Pin becomes an output pin (I/O<sub>3</sub>) in conjunction with other pins to allow four bits of data on (I/O<sub>3-0</sub>) to be clocked in on every falling edge of SCK. To maintain consistency with SPI nomenclature, the <math>\overline{\text{HOLD}}</math> (I/O<sub>3</sub>) pin is referenced as the <math>\overline{\text{HOLD}}</math> pin unless specifically addressing the Quad-I/O modes in which case it is referenced as I/O<sub>3</sub>. The <math>\overline{\text{HOLD}}</math> pin is internally pulled-high and may be left floating if the Hold function is not used. However, it is recommended that the <math>\overline{\text{HOLD}}</math> pin also be externally connected to V<sub>CC</sub> whenever possible. See figures 1-1, 1-2, and 1-3 for the pin configuration of Quad I/O and QPI operation.</p>	-	Input/Output
V <sub>CC</sub>	<p><b>DEVICE POWER SUPPLY:</b> V<sub>CC</sub> is the supply voltage. It is the single voltage used for all device functions including read, program, and erase. The V<sub>CC</sub> pin is used to supply the source voltage to the device. Operations at invalid V<sub>CC</sub> voltages may produce spurious results and should not be attempted.</p>	-	Power
GND	<p><b>GROUND:</b> V<sub>SS</sub> is the reference for the V<sub>CC</sub> supply voltage. The ground reference for the power supply. GND should be connected to the system ground.</p>	-	Power

## 2. Block Diagram

Figure 2-1 shows a block diagram of the AT25QL128A serial Flash.

Figure 2-1. AT25QL128A Block Diagram



Note: I/O<sub>3-0</sub> pin naming convention is used for Dual-I/O and Quad-I/O commands.

### 3. Memory Array

To provide the greatest flexibility, the memory array of the AT25QL128A can be erased in four levels of granularity including a full chip erase. The size of the erase blocks is optimized for both code and data storage applications, allowing both code and data segments to reside in their own erase regions. The Memory Architecture Diagram illustrates the breakdown of each erase level.

Figure 3-1. Memory Architecture Diagram

Block Erase Detail				Page Program Detail			
64KB	32KB	4KB	Block Address Range	1-256 Byte	Page Address Range		
Sector 255	Block 511	4KB	FFFFFh – FFF000h	256 Bytes	FFFFFh – FFFF00h		
		4KB	FFEFFh – FFE000h	256 Bytes	FFFEFFh – FFFE00h		
		4KB	FFDFFh – FFD000h	256 Bytes	FFDFFFh – FFD000h		
		4KB	FFCFFh – FFC000h	256 Bytes	FFCFFFh – FFC000h		
		4KB	FFBFFh – FFB000h	256 Bytes	FFBFFFh – FFB000h		
		4KB	FFAFFh – FFA000h	256 Bytes	FFAFFh – FFA000h		
		4KB	FF9FFh – FF9000h	256 Bytes	FF9FFFh – FF9000h		
		4KB	FF8FFh – FF8000h	256 Bytes	FF8FFFh – FF8000h		
		4KB	FF7FFh – FF7000h	256 Bytes	FF7FFFh – FF7000h		
		4KB	FF6FFh – FF6000h	256 Bytes	FF6FFFh – FF6000h		
	Block 510	4KB	FF5FFh – FF5000h	256 Bytes	FF5FFFh – FF5000h		
		4KB	FF4FFh – FF4000h	256 Bytes	FF4FFFh – FF4000h		
		4KB	FF3FFh – FF3000h	256 Bytes	FF3FFFh – FF3000h		
		4KB	FF2FFh – FF2000h	256 Bytes	FF2FFFh – FF2000h		
		4KB	FF1FFh – FF1000h	256 Bytes	FF1FFFh – FF1000h		
		4KB	FF0FFh – FF0000h	256 Bytes	FF0FFFh – FF0000h		
		Sector 254	Block 509	4KB	FEFFFh – FEF000h	256 Bytes	FEFFFh – FFEF00h
				4KB	FEEFFh – FEE000h	256 Bytes	FEEFFh – FFE000h
				4KB	FEDFFh – FED000h	256 Bytes	FEDEFh – FFED00h
				4KB	FECFFh – FEC000h	256 Bytes	FECEFh – FFEC00h
4KB	FEBFFh – FEB000h			256 Bytes	FEBFh – FFE800h		
4KB	FEAFFh – FEA000h			256 Bytes	FEAFFh – FFEA00h		
4KB	FE9FFh – FE9000h			256 Bytes	FE9FFh – FFE900h		
4KB	FE8FFh – FE8000h			256 Bytes	FE8FFh – FFE800h		
Block 508	4KB			FE7FFh – FE7000h	256 Bytes	FE7FFh – FFE700h	
	4KB			FE6FFh – FE6000h	256 Bytes	FE6FFh – FFE600h	
	4KB	FE5FFh – FE5000h	256 Bytes	FE5FFh – FFE500h			
	4KB	FE4FFh – FE4000h	256 Bytes	FE4FFh – FFE400h			
	4KB	FE3FFh – FE3000h	256 Bytes	FE3FFh – FFE300h			
	4KB	FE2FFh – FE2000h	256 Bytes	FE2FFh – FFE200h			
	4KB	FE1FFh – FE1000h	256 Bytes	FE1FFh – FFE100h			
	4KB	FE0FFh – FE0000h	256 Bytes	FE0FFh – FFE000h			
	⋮	⋮	⋮	⋮	⋮		
	Sector 0	Block 1	4KB	00FFFh – 00F000h	256 Bytes	0017FFh – 001700h	
4KB			00EFFh – 00E000h	256 Bytes	0016FFh – 001600h		
4KB			00DFFh – 00D000h	256 Bytes	0015FFh – 001500h		
4KB			00CFFh – 00C000h	256 Bytes	0014FFh – 001400h		
4KB			00BFFh – 00B000h	256 Bytes	0013FFh – 001300h		
4KB			00AFFh – 00A000h	256 Bytes	0012FFh – 001200h		
4KB			009FFh – 009000h	256 Bytes	0011FFh – 001100h		
4KB			008FFh – 008000h	256 Bytes	0010FFh – 001000h		
4KB			007FFh – 007000h	256 Bytes	000FFFh – 000F00h		
4KB			006FFh – 006000h	256 Bytes	000EFFh – 000E00h		
Block 0		4KB	005FFh – 005000h	256 Bytes	000DFFh – 000D00h		
		4KB	004FFh – 004000h	256 Bytes	000CFFh – 000C00h		
		4KB	003FFh – 003000h	256 Bytes	000BFFh – 000B00h		
		4KB	002FFh – 002000h	256 Bytes	000AFFh – 000A00h		
		4KB	001FFh – 001000h	256 Bytes	0009FFh – 000900h		
		4KB	000FFh – 000000h	256 Bytes	0009FFh – 000900h		
		4KB	007FFh – 007000h	256 Bytes	0008FFh – 000800h		
		4KB	006FFh – 006000h	256 Bytes	0007FFh – 000700h		
		4KB	005FFh – 005000h	256 Bytes	0006FFh – 000600h		
		4KB	004FFh – 004000h	256 Bytes	0005FFh – 000500h		
4KB	003FFh – 003000h	256 Bytes	0004FFh – 000400h				
4KB	002FFh – 002000h	256 Bytes	0003FFh – 000300h				
4KB	001FFh – 001000h	256 Bytes	0002FFh – 000200h				
4KB	000FFh – 000000h	256 Bytes	0001FFh – 000100h				
4KB	000FFh – 000000h	256 Bytes	0000FFh – 000000h				

## 4. Device Operation

### 4.1 Standard SPI Operation

The AT25QL128A features a serial peripheral interface on four signals: Serial Clock (SCK), Chip Select ( $\overline{\text{CS}}$ ), Serial Data Input (SI) and Serial Data Output (SO). Standard SPI instructions use the SI input pin to serially write instructions, addresses or data to the device on the rising edge of SCK. The SO output pin is used to read data or status from the device on the falling edge of SCK.

SPI bus operation Modes 0 (0, 0) and 3 (1, 1) are supported. The primary difference between Mode 0 and Mode 3 concerns the normal state of the SCK signal when the SPI bus master is in standby and data is not being transferred to the Serial Flash. For Mode 0 the SCK signal is normally low on the falling and rising edges of  $\overline{\text{CS}}$ . For Mode 3 the SCK signal is normally high on the falling and rising edges of  $\overline{\text{CS}}$ .

### 4.2 Dual SPI Operation

The AT25QL128A supports Dual SPI operation. This instruction allows data to be transferred to or from the device at two times the rate of the standard SPI. The Dual Read instruction is ideal for quickly downloading code to RAM upon power-up (code-shadowing) or for executing non-speed-critical code directly from the SPI bus (XIP). When using Dual SPI instructions the SI and SO pins become bidirectional I/O pins; IO<sub>0</sub> and IO<sub>1</sub>.

### 4.3 Quad SPI Operation

The AT25QL128A supports Quad SPI operation. This instruction allows data to be transferred to or from the device at four times the rate of the standard SPI. The Quad Read instruction offers a significant improvement in continuous and random access transfer rates allowing fast code-shadowing to RAM or execution directly from the SPI bus (XIP). When using Quad SPI instruction the SI and SO pins become bidirectional IO<sub>0</sub> and IO<sub>1</sub>, and the  $\overline{\text{WP}}$  and  $\overline{\text{HOLD}}$  pins become IO<sub>2</sub> and IO<sub>3</sub> respectively. Quad SPI instructions require the non-volatile Quad Enable bit (QE) in Status Register-2 to be set.

### 4.4 QPI Operation

The AT25QL128A is shipped with the Quad Enable Bit set and the device will power up in QPI mode. When using QPI instructions, the SI and SO pins become bidirectional IO<sub>0</sub> and IO<sub>1</sub>, and the  $\overline{\text{WP}}$  and  $\overline{\text{HOLD}}$  pins become IO<sub>2</sub> and IO<sub>3</sub> respectively.

The typical SPI protocol requires that the byte-long instruction code being shifted into the device only via SI pin in eight serial clocks. The QPI mode utilizes all four IO pins to input the instruction code, thus only two serial clocks are required. This can significantly reduce the SPI instruction overhead and improve system performance in an XIP environment. Standard/ Dual/ Quad SPI mode and QPI mode are exclusive. Only one mode can be active at any given time, "Enable QPI" and "Disable QPI/ Disable QPI 2" instructions are used to switch between these two modes. Upon power-up or after software reset using "Reset (99h) instruction, the default state of the device is Standard/ Dual/ Quad SPI mode.



## 5. Write Protection

To protect inadvertent writes by the possible noise, several means of protection are applied to the Flash memory.

### 5.1 Write Protect Features

- While Power-on reset, all operations are disabled and no instruction is recognized.
- An internal time delay of  $t_{PUW}$  can protect the data against inadvertent changes while the power supply is outside the operating specification. This includes the Write Enable, Page program, Block Erase, Chip Erase, Write Security Register and the Write Status Register instructions.
- For data changes, Write Enable instruction must be issued to set the Write Enable Latch (WEL) bit to “0”. Power-up, Completion of Write Disable, Write Status Register, Page program, Block Erase and Chip Erase are subjected to this condition.
- Using setting the Status Register protect (SRP) and Block protect (SEC, TB, BP2, BP1, and BP0) bits a portion of memory can be configured as reading only called software protection.
- Write Protect ( $\overline{WP}$ ) pin can control to change the Status Register under hardware control.
- The Deep Power Down mode provides extra protection from unexpected data changes as all instructions are ignored under this status except for Release Deep Power Down instruction.

## 6. Status Register

The Read Status Register instruction can be used to provide status on the availability of the Flash memory array, if the device is write enabled or disabled the state of write protection and the Quad SPI setting. The Write Status Register instruction can be used to configure the devices writes protection features and Quad SPI setting. Write access to the Status Register is controlled by in some cases of the WP pin.

**Table 6-1. Status Register-1**

S7	S6	S5	S4	S3	S2	S1	S0
SRP	SEC	TB	BP2	BP1	BP0	WEL	BUSY
Status Register Protect 0 (Non-Volatile)	Sector Protect (Non-Volatile)	Top/Bottom Write Protect (Non-Volatile)	Block Protect (Non-Volatile)	Block Protect (Non-Volatile)	Block Protect (Non-Volatile)	Write Enable Latch	Erase or Write in Progress

**Table 6-2. Status Register-2**

S15	S14	S13	S12	S11	S10	S9	S8
SUS	CMP	(R)	(R)	(R)	(R)	QE	SRP1
Suspend Status	Complement Protect (Non-Volatile)	Reserved	Reserved	Reserved	Reserved	Quad Enable (Non-Volatile)	Register Protect 1 (Non-Volatile)

### 6.1 Busy

BUSY is a read only bit in the status register (S0) that is set to a 1 state when the device is executing a Page Program, Erase, Write Status Register or Write Security Register instruction. During this time the device will ignore further instruction except for the Read Status Register and Erase / Program Suspend instruction (see  $t_W$ ,  $t_{PP}$ ,  $t_{SE}$ ,  $t_{BE1}$ ,  $t_{BE2}$  and  $t_{CE}$  in AC Characteristics). When the Program, Erase, Write Status Register or Write Security Register instruction has completed, the BUSY bit will be cleared to a 0 state indicating the device is ready for further instructions.

### 6.2 Write Enable Latch (WEL)

Write Enable Latch (WEL) is a read only bit in the status register (S1) that is set to a 1 after executing a Write Enable instruction. The WEL status bit is cleared to a 0 when device is write disabled. A write disable state occurs upon power-up or after any of the following instructions: Write Disable, Page Program, Erase and Write Status Register.

### 6.3 Block Protect Bits (BP2, BP1, BP0)

The Block Protect Bits (BP2, BP1, BP0) are non-volatile read/write bits in the status register (S4, S3, and S2) that provide write protection control and status. Block protect bits can be set using the Write Status Register Instruction (see  $t_W$  in AC characteristics). All, none or a portion of the memory array can be protected from Program and Erase instructions (see Status Register Memory Protection table). The factory default setting for the Block Protection Bits is 0, none of the array protected.

### 6.4 Top/Bottom Block protect (TB)

The Top/Bottom bit (TB) is non-volatile bits in the status register (S5) that controls if the Block Protect Bits (BP2, BP1, BP0) protect from the Top (TB = 0) or the Bottom (TB = 1) of the array as shown in the Status Register Memory Protection table. The factory default setting is TB = 0. The TB bit can be set with the Write Status Register Instruction depending on the state of the SRP0, SRP1 and WEL bits.

## 6.5 Sector/Block Protect (SEC)

The Sector protect bit (SEC) is non-volatile bits in the status register (S6) that controls if the Block Protect Bits (BP2, BP1, BP0) protect 4KB Sectors (SEC = 1) or 64KB Blocks (SEC = 0) in the Top (TB = 0) or the Bottom (TB = 1) of the array as shown in the Status Register Memory protection table. The default setting is SEC = 0.

## 6.6 Status Register Protect (SRP1, SRP0)

The Status Register Protect bits (SRP1 and SRP0) are non-volatile read/write bits in the status register (S8 and S7). The SRP bits control the method of write protection: software protection, hardware protection, power supply lock-down or one time programmable (OTP) protection.

Table 6-3. Status Register Protect Encoding

SRP1	SRP0	WP	Status Register	Description
0	0	X	Software Protection	$\overline{WP}$ pin no control. The register can be written to after a Write Enable instruction, WEL = 1. [Factory Default]
0	1	0	Hardware Protected	When the $\overline{WP}$ pin is low the Status Register locked and can not be written to.
0	1	1	Hardware Unprotected	When $\overline{WP}$ pin is high the Status register is unlocked and can be written to after a Write Enable instruction, WEL = 1.
1	0	X	Power Supply Lock-Down	Status Register is protected and cannot be written to again until the next power down, power-up cycle. <sup>(1)</sup>
1	1	X	One Time Program	Status Register is permanently protected and cannot be written to.

Note: 1. When SRP1, SRP0=(1,0), a power down, power-up cycle will change SRP1, SRP0 to(0,0) state.

## 6.7 Quad Enable (QE)

The Quad Enable (QE) bit is a non-volatile read/write bit in the status register (S9) that allows Quad operation. When the QE bit is set to a 0 state (factory default) the  $\overline{WP}$  pin and  $\overline{HOLD}$  are enabled. When the QE pin is set to a 1 the Quad IO<sub>2</sub> and IO<sub>3</sub> pins are enabled. **WARNING: The QE bit should never be set to a 1 during standard SPI or Dual SPI operation if the WP or HOLD pins are tied directly to the power supply or ground.**

## 6.8 Complement Protect (CMP)

The Complement Protect bit (CMP) is a non-volatile read/write bit in the status register (S14). It is used in conjunction with SEC, TB, BP2, BP1 and BP0 bits to provide more flexibility for the array protection. Once CMP is set to 1, previous array protection set by SEC, TB, BP2, BP1 and BP0 will be reversed. For instance, when CMP = 0, a top 4KB sector can be protected while the rest of the array is not; when CMP = 1, the top 4KB sector will become unprotected while the rest of the array become read-only. Please refer to the Status Register Memory Protection table for details. The default setting is CMP = 0.

## 6.9 Erase/Program Suspend Status (SUS)

The Suspend Status bit (SUS) is a read only bit in the status register (S15) that is set to 1 after executing an Erase/Program Suspend (75h) instruction. The SUS status bit is cleared to 0 by Erase/Program Resume (7Ah) instruction as well as a power down, power-up cycle.

**Table 6-4. Status Register Memory Protection (CMP = 0)**

Status Register					Memory Protection			
SEC	TB	BP2	BP1	BP0	Sector(s)	Addresses	Density	Portion
X	X	0	0	0	NONE	NONE	NONE	NONE
0	0	0	0	1	252 thru 255	FC0000h - FFFFFFFh	256KB	Upper 1/64
0	0	0	1	0	248 thru 255	F80000h - FFFFFFFh	512KB	Upper 1/32
0	0	0	1	1	240 thru 255	F00000h - FFFFFFFh	1MB	Upper 1/16
0	0	1	0	0	224 thru 255	E00000h - FFFFFFFh	2MB	Upper 1/8
0	0	1	0	1	192 thru 255	C00000h - FFFFFFFh	4MB	Upper 1/4
0	0	1	1	0	128 thru 255	800000h - FFFFFFFh	8MB	Upper 1/2
0	1	0	0	1	0 thru 3	000000h - 03FFFFFFh	256KB	Lower 1/64
0	1	0	1	0	0 thru 7	000000h - 07FFFFFFh	512KB	Lower 1/32
0	1	0	1	1	0 thru 15	000000h - 0FFFFFFh	1MB	Lower 1/16
0	1	1	0	0	0 thru 31	000000h - 1FFFFFFh	2MB	Lower 1/8
0	1	1	0	1	0 thru 63	000000h - 3FFFFFFh	4MB	Lower 1/4
0	1	1	1	0	0 thru 127	000000h - 7FFFFFFh	8MB	Lower 1/2
X	X	1	1	1	0 thru 255	000000h - FFFFFFFh	16MB	ALL
1	0	0	0	1	255	FFF000h - FFFFFFFh	4KB	U – 1/4096
1	0	0	1	0	255	FFE000h - FFFFFFFh	8KB	U – 1/2048
1	0	0	1	1	255	FFC000h - FFFFFFFh	16KB	U – 1/1024
1	0	1	0	X	255	FF8000h - FFFFFFFh	32KB	U – 1/512
1	1	0	0	1	0	000000h - 000FFFh	4KB	L – 1/4096 (4)
1	1	0	1	0	0	000000h - 001FFFh	8KB	L – 1/2048
1	1	0	1	1	0	000000h - 003FFFh	16KB	L – 1/1024
1	1	1	0	X	0	000000h - 007FFFh	32KB	L – 1/512

Note:

1. X = Don't care
2. L = Lower; U = Upper
3. If any Erase or Program instruction specifies a memory region that contains protected data portion, this instruction will be ignored.
4. Note 3 does not apply to this Status Register Bit setting. See Errata 1 in Appendix A for details.

**Table 6-5. Status Register Memory Protection (CMP = 1)**

Status Register					Memory Protection			
SEC	TB	BP2	BP1	BP0	Sector(s)	Addresses	Density	Portion
X	X	0	0	0	0 thru 255	000000h - FFFFFFFh	16MB	ALL
0	0	0	0	1	0 thru 251	000000h - FBFFFFh	16,128KB	Lower 63/64
0	0	0	1	0	0 thru 247	000000h - F7FFFFh	15,872KB	Lower 31/32
0	0	0	1	1	0 thru 239	000000h - EFFFFFFh	15MB	Lower 15/16
0	0	1	0	0	0 thru 223	000000h - DFFFFFFh	14MB	Lower 7/8
0	0	1	0	1	0 thru 191	000000h - BFFFFFFh	12MB	Lower 3/4
0	0	1	1	0	0 thru 127	000000h - 7FFFFFFh	8MB	Lower 1/2
0	1	0	0	1	4 thru 255	040000h - FFFFFFFh	16,128KB	Upper 63/64
0	1	0	1	0	8 thru 255	080000h - FFFFFFFh	15,872KB	Upper 31/32
0	1	0	1	1	16 thru 255	100000h - FFFFFFFh	15MB	Upper 15/16
0	1	1	0	0	32 thru 255	200000h - FFFFFFFh	14MB	Upper 7/8
0	1	1	0	1	64 thru 255	400000h - FFFFFFFh	12MB	Upper 3/4
0	1	1	1	0	128 thru 255	800000h - FFFFFFFh	8MB	Upper 1/2
X	X	1	1	1	NONE	NONE	NONE	NONE
1	0	0	0	1	0 thru 255	000000h - FFEFFFFh	16,380KB	L – 4095/4096
1	0	0	1	0	0 thru 255	000000h - FFDFFFFh	16,376KB	L – 2047/2048
1	0	0	1	1	0 thru 255	000000h - FFBFFFFh	16,368KB	L – 1023/1024
1	0	1	0	X	0 thru 255	000000h - FF7FFFFh	16,352KB	L – 511/512
1	1	0	0	1	0 thru 255	001000h - FFFFFFFh	16,380KB	U – 4095/4096 (4)
1	1	0	1	0	0 thru 255	002000h - FFFFFFFh	16,376KB	U – 2047/2048
1	1	0	1	1	0 thru 255	004000h - FFFFFFFh	16,368KB	U – 1023/1024
1	1	1	0	X	0 thru 255	008000h - FFFFFFFh	16,352KB	U – 511/512

Note:

1. X = don't care
2. L = Lower; U = Upper
3. If any Erase or Program instruction specifies a memory region that contains protected data portion, this instruction will be ignored.
4. Note 3 does not apply to this Status Register Bit setting. See Errata 2 in Appendix A for details.

## 7. Instructions

The SPI instruction set of the AT25QL128A consists of thirty eight basic instructions and the QPI instruction set of the AT25QL128A consists of thirty one basic instructions that are fully controlled through the SPI bus (see Instruction Set table). Instructions are initiated with the falling edge of Chip Select ( $\overline{CS}$ ). The first byte of data clocked into the input pins (SI or IO [3:0]) provides the instruction code. Data on the SI input is sampled on the rising edge of clock with most significant bit (MSB) first.

Instructions are completed with the rising edge of edge  $\overline{CS}$ . Clock relative timing diagrams for each instruction are included in figures 8-1 through 8-66 All read instructions can be completed after any clocked bit. However, all instructions that Write, Program or Erase must complete on a byte ( $\overline{CS}$  driven high after a full 8-bit have been clocked) otherwise the instruction will be terminated. This feature further protects the device from inadvertent writes. Additionally, while the memory is being programmed or erased, or when the Status Register is being written, all instructions except for Read Register will be ignored until the program or erase cycle has completed.

**Table 7-1. Manufacturer and Device Identification**

		ID code	Instruction
Manufacturer ID	Adesto	1Fh	90h, 92h, 94h, 9Fh
Device ID	AT25QL128A	17h	90h, 92h, 94h, ABh
Memory Type ID	SPI / QPI	42h	9Fh
Capacity Type ID	128M	18h	9Fh

### 7.1 Instruction Set Tables

**Table 7-2. Instruction Set Table 1 (SPI Instructions) <sup>(1)</sup>**

Instruction Byte	0	1	2	3	4	5
Clock Number	0 - 7	8 - 15	16 - 23	24 - 31	32 - 39	40 - 47
Write Enable	06h					
Write Enable (for volatile Status registers)	50h					
Write Disable	04h					
Read Status Register 1	05h	SR7:SR0 <sup>(2)</sup>				
Read Status Register 2	35h	SR15:SR8 <sup>(2)</sup>				
Write Status Register 1	01h	SR7:SR0	SR15:SR8			
Write Status Register 2	31h	SR15:SR8				
Read Data	03h	A23:A16	A15:A8	A7:A0	D7:D0	
Fast Read Data	0Bh	A23:A16	A15:A8	A7:A0	Dummy	D7:D0
Page Program	02h	A23:A16	A15:A8	A7:A0	D7:D0 <sup>(3)</sup>	
Enable QPI	38h					
Block Erase (4 KB)	20h	A23:A16	A15:A8	A7:A0		
Block Erase (32 KB)	52h	A23:A16	A15:A8	A7:A0		
Block Erase (64 KB)	D8h	A23:A16	A15:A8	A7:A0		

**Table 7-2. Instruction Set Table 1 (SPI Instructions) <sup>(1)</sup>**

Instruction Byte	0	1	2	3	4	5
Clock Number	0 - 7	8 - 15	16 - 23	24 - 31	32 - 39	40 - 47
Chip Erase	60h/7Ch					
Erase/Program Suspend	75h					
Erase/Program Resume	7Ah					
Deep Power Down	B9h					
Release from Deep Power Down/Device ID	ABh	Dummy	Dummy	Dummy	D7:D0 <sup>(2)</sup>	
Read Manufacturer ID <sup>(4)</sup>	90h	00h	00h	00h or 01h	MID7:MID0	DID7:DID0
Read JEDEC ID	9Fh	MID7:MID0	D7:D0	D7:D0		
Reset Enable	66h					
Reset	99h					
Enter Secured OTP	B1h					
Exit Secured OTP	C1h					
Read Security Register	2Bh	SC7:SC0 <sup>(5)</sup>				
Write Security Register	2Fh					
Read Serial Flash Discovery Parameters	5Ah	A23:A16	A15:A8	A7:A0	Dummy	D7:D0

1. Data bytes are shifted with Most Significant Bit first. Byte fields with data in parenthesis “()” indicate data being read from the device on the IO pin.
2. SR = status register, The Status Register contents and Device ID will repeat continuously until CS terminates the instruction.
3. At least one byte of data input is required for Page Program, Quad Page Program and Program Security Register, up to 256 bytes ? of data input. If more than 256 bytes of data are sent to the device, the addressing will wrap to the beginning of the page and overwrite previously sent data.
4. See Manufacturer and Device Identification table for Device ID information.
5. SC = security register.

**Table 7-3. Instruction Set Table 2 (Dual SPI Instructions)**

Instruction Byte	0	1	2	3	4	5
Clock Number	0 - 7	8 - 15	16 - 23	24 - 31	32 - 39	40 - 47
Fast Read Dual Output	3Bh	A23:A16	A15:A8	A7:A0	Dummy	D7:D0 <sup>(1)</sup>
Fast Read Dual I/O	BBh	A23:A8 <sup>(2)</sup>	A7:A0	D7:D0... <sup>(1)</sup>		
Read Manufacturer ID <sup>(3)</sup>	92h	0000h	(00h, xxxx) or 01h, xxxx)	MID7:MID0 DID7:DID0 <sup>(1)</sup>		

1. Dual Output data: IO0 = (D6, D4, D2, D0), IO1 = (D7, D5, D3, D1)
2. Dual input address:  
IO0 = A22, A20, A18, A16, A14, A12, A10, A8, A6, A4, A2, A0, M6, M4, M2, M0  
IO1 = A23, A21, A19, A17, A15, A13, A11, A9, A7, A5, A3, A1, M7, M5, M3, M1
3. See Manufacturer and Device Identification table for Device ID information.

**Table 7-4. Instruction Set Table 3 (Quad SPI Instructions)**

Instruction Byte	0	1	2	3	4	5
Clock Number	0 - 7	8 - 15	16 - 23	24 - 31	32 - 39	40 - 47
Fast Read Quad Output	6Bh	A23:A16	A15:A8	A7:A0	Dummy	D7:D0 <sup>(1)</sup>
Fast Read Quad I/O	EBh	A23:A0, M7:M0 <sup>(2)</sup>	(xxxx, D7:D0...) <sup>(3)</sup>	D7:D0... <sup>(1)</sup>		
Quad Page Program	33h	A23:A0 (D7:D0, ...) <sup>(1)</sup>				
Read Quad Manufacturer ID <sup>(4)</sup>	94h	00_0000h, xx or 00_00001h, xx	(xxxx, MID7:MID0) (xxxx, DID7:DID0) <sup>(3)</sup>			
Fast Read Quad I/O	EBh	A23:A0 M7:M0 <sup>(2)</sup>	(xx, D7:D0)	D7:D0 <sup>(1)</sup>		
Set Burst with Wrap	77h	xxxxxx, W6:W4 <sup>(5)</sup>	(xx, D7:D0)	D7:D0		

- Quad Input/ Output Data  
IO0 = (D4, D0...)  
IO1 = (D5, D1...)  
IO2 = (D6, D2...)  
IO3 = (D7, D3...)
- Quad Input Address  
IO0 = A20, A16, A12, A8, A0, M4, M0  
IO1 = A21, A17, A13, A9, A1, M5, M1  
IO2 = A22, A18, A14, A10, A2, M6, M2  
IO3 = A23, A19, A15, A11, A3, M7, M3
- Fast Read Quad I/O Data Output  
IO0 = (x, x, x, x, D4, D0...)  
IO1 = (x, x, x, x, D5, D1...)  
IO2 = (x, x, x, x, D6, D2...)  
IO3 = (x, x, x, x, D7, D3...)
- See Manufacturer and Device Identification table for Device ID information.
- Set Burst With Wrap  
IO0 = x, x, x, x, x, x, W4, x  
IO1 = x, x, x, x, x, x, W5, x  
IO2 = x, x, x, x, x, x, W6, x  
IO3 = x, x, x, x, x, x, W7, x

**Table 7-5. Instruction Set Table 4 (QPI Instructions)**

Instruction Byte <sup>(1)</sup>	0	1	2	3	4	5	6	7	8
Clock Number	0, 1	2, 3	4, 5	6, 7	8, 9	10, 11	12, 13	14, 15	16, 17
Write Enable	06h								
Write Enable (for volatile Status registers)	50h								
Write Disable	04h								
Read Status Register 1	05h	(SR7:SR0) <sup>(2)</sup>							



**Table 7-5. Instruction Set Table 4 (QPI Instructions) (Continued)**

Instruction Byte <sup>(1)</sup>		0	1	2	3	4	5	6	7	8
Clock Number		0, 1	2, 3	4, 5	6, 7	8, 9	10, 11	12, 13	14, 15	16, 17
Read Status Register 2		35h	(SR15:SR8) <sup>(2)</sup>							
Write Status Register 1 <sup>(2)</sup>		01h	(SR7:SR0)	(SR15:SR8)						
Write Status Register 2		31h	(SR15:SR8)							
Fast Read Data	up to 80 MHz	0Bh	A23:A16	A15:A8	A7:A0	Dummy	Dummy	(D7:D0)		
	up to 104 MHz		A23:A16	A15:A8	A7:A0	Dummy	Dummy	Dummy	(D7:D0)	
Page Program		02h	A23:A16	A15:A8	A7:A0	(D7:D0) <sup>(3)</sup>				
Block Erase (4 KB)		20h	A23:A16	A15:A8	A7:A0					
Block Erase (32 KB)		52h	A23:A16	A15:A8	A7:A0					
Block Erase (64 KB)		D8h	A23:A16	A15:A8	A7:A0					
Chip Erase		60h/7Ch								
Erase/Program Suspend		75h								
Erase/Program Resume		7Ah								
Deep Power Down		B9h								
Release from Deep Power Down		ABh								
Read Manufacturer/ Device ID <sup>(4)</sup>		90h	00h	00h	00h or 01h	(MID7: MID0)	(DID7: DID0)			
Read JEDEC ID		9Fh	(MID7:MID0) (Mfg ID)	(D7:D0) (Mem Typ)	(D7:D0) (Cap)					
Enter Secured OTP		B1h								
Exit Secured OTP		C1h								
Read Security Register		2Bh	(SC7:SC0) <sup>(5)</sup>							
Write Security Register		2Fh								
Fast Read Quad I/O	up to 80 MHz	EBh	A23:A16	A15:A8	A7:A0	(M7:M0)	Dummy	(D7:D0)		
	up to 104 MHz		A23:A16	A15:A8	A7:A0	(M7:M0)	Dummy	Dummy	(D7:D0)	
	up to 133 MHz		A23:A16	A15:A8	A7:A0	(M7:M0)	Dummy	Dummy	Dummy	(D7:D0)
Reset Enable		66h								
Reset		99h								
Disable QPI		C0h								

**Table 7-5. Instruction Set Table 4 (QPI Instructions) (Continued)**

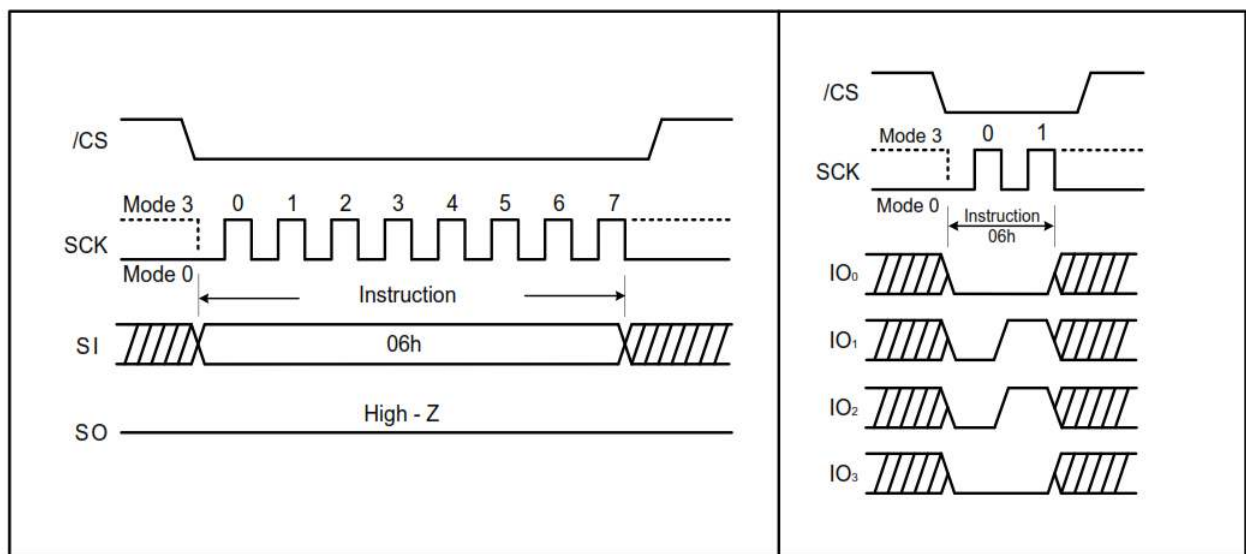
Instruction Byte <sup>(1)</sup>		0	1	2	3	4	5	6	7	8
Clock Number		0, 1	2, 3	4, 5	6, 7	8, 9	10, 11	12, 13	14, 15	16, 17
Burst Read with Wrap	up to 80 MHz	0Ch	A23:A16	A15:A8	A7:A0	Dummy	Dummy	(D7:D0)		
	up to 104 MHz		A23:A16	A15:A8	A7:A0	Dummy	Dummy	Dummy	(D7:D0)	
	up to 133 MHz		A23:A16	A15:A8	A7:A0	Dummy	Dummy	Dummy	Dummy	(D7:D0)
Set Read Parameter		C0h	P7:P0							
Quad Page Program		33h	A23:A16	A15:A8	A7:A0	(D7:D0)				

1. Data bytes are shifted with Most Significant Bit first. Byte fields with data in parenthesis “( )” indicate data being read from the device on the IO pin.
2. SR = Status Register. The Status Register contents and Device ID will repeat continuously until  $\overline{CS}$  terminates the instruction.
3. At least one byte of data input is required for Page Program, Quad Page Program and Program Security Register, up to 256 bytes of data input. If more than 256 bytes of data are sent to the device, the addressing will wrap to the beginning of the page and overwrite previously sent data.
4. See Manufacturer and Device Identification table for Device ID information.
5. SC = Security Register.

## 7.2 Write Enable (06h)

Write Enable instruction is for setting the Write Enable Latch (WEL) bit in the Status Register. The WEL bit must be set prior to every Program, Erase and Write Status Register instruction. To enter the Write Enable instruction,  $\overline{CS}$  goes low prior to the instruction “06h” into Data Input (SI) pin on the rising edge of SCK, and then driving CS high.

**Figure 7-1. Write Enable Instruction for SPI Mode (left) and QPI Mode (right)**

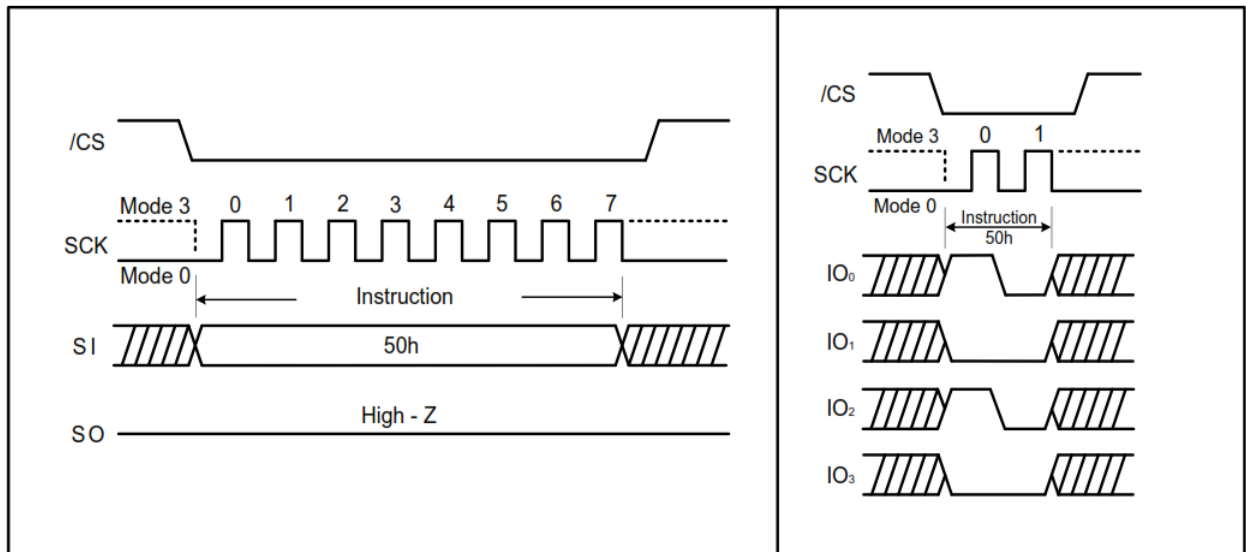


## 7.3 Write Enable for Volatile Status Register (50h)

This gives more flexibility to change the system configuration and memory protection schemes quickly without waiting for the typical non-volatile bit write cycles or affecting the endurance of the Status Register non-volatile bits. To write the volatile values into the Status Register bits, the Write Enable for Volatile Status Register (50h) instruction must be issued prior to a Write Status Register (01h) instruction. Write Enable for Volatile Status Register instruction (Figure 7-2) will

not set the Write Enable Latch (WEL) bit. Once Write Enable for Volatile Status Register is set, a Write Enable instruction should not have been issued prior to setting Write Status Register instruction (01h or 31h). When Write Enable for Volatile Status Register (50h) is set in QPI Mode, the SUS bit (S15) and Reserved bits (S13, S12, S11 and S10) of the Status Register-2 must be driven to high after Write Status Register instruction(01h).Once Read Status Register (05h or 31h) is issued the read values of SUS bit (S15) and Reserved bits (S13, S12, S11 and S10) of the Status Register-2 are ignored.

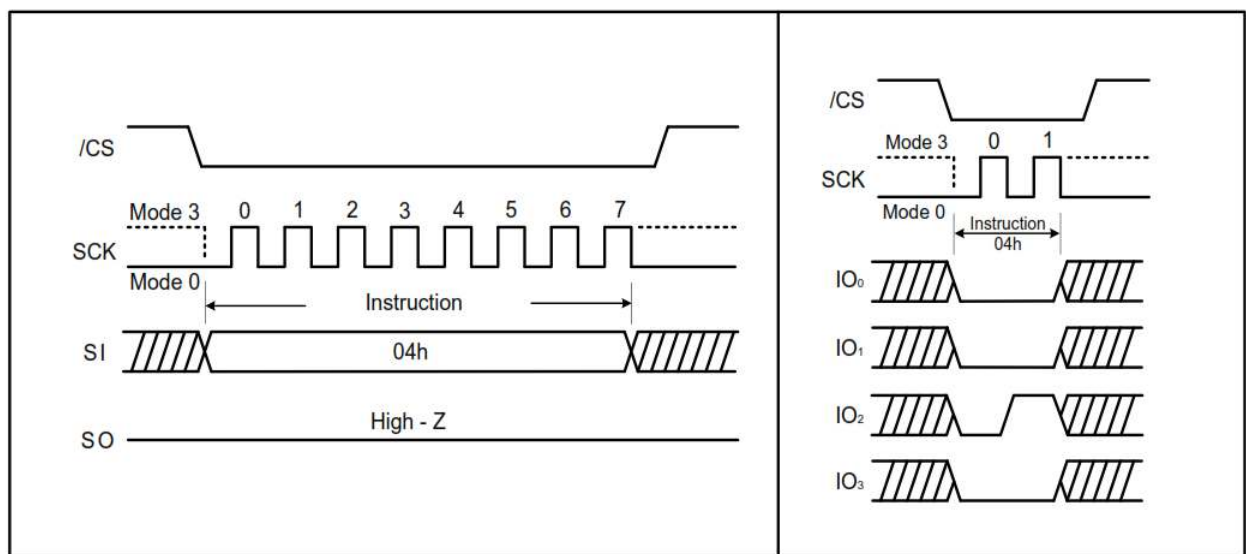
**Figure 7-2. Write Enable for Volatile Status Register Instruction for SPI Mode (left) and QPI Mode (right)**



#### 7.4 Write Disable (04h)

The Write Disable instruction is to reset the Write Enable Latch (WEL) bit in the Status Register. To enter the Write Disable instruction,  $\overline{CS}$  goes low prior to the instruction "04h" into Data Input (SI) pin on the rising edge of SCK, and then driving  $\overline{CS}$  high. WEL bit is automatically reset write-disable status of "0" after Power-up and upon completion of the every Program, Erase and Write Status Register instruction.

**Figure 7-3. Write Disable Instruction for SPI Mode (left) and QPI Mode (right)**



## 7.5 Read Status Register-1 (05h) and Read Status Register-2 (35h)

The Read Status Register instructions are to read the Status Register. The Read Status Register can be read at any time (even in program/erase/write Status Register and Write Security Register condition). It is recommended to check the BUSY bit before sending a new instruction when a Program, Erase, Write Status Register or Write Status Register operation is in progress.

The instruction is entered by driving  $\overline{CS}$  low and sending the instruction code “05h” for Status Register-1 or “35h” for Status Register-2 into the SI pin on the rising edge of SCK. The status register bits are then shifted out on the SO pin at the falling edge of SCK with most significant bit (MSB) first as shown in (Figure 7-4 and Figure 7-5). The Status Register can be read continuously. The instruction is completed by driving  $\overline{CS}$  high.

Figure 7-4. Read Status Register Instruction (SPI Mode)

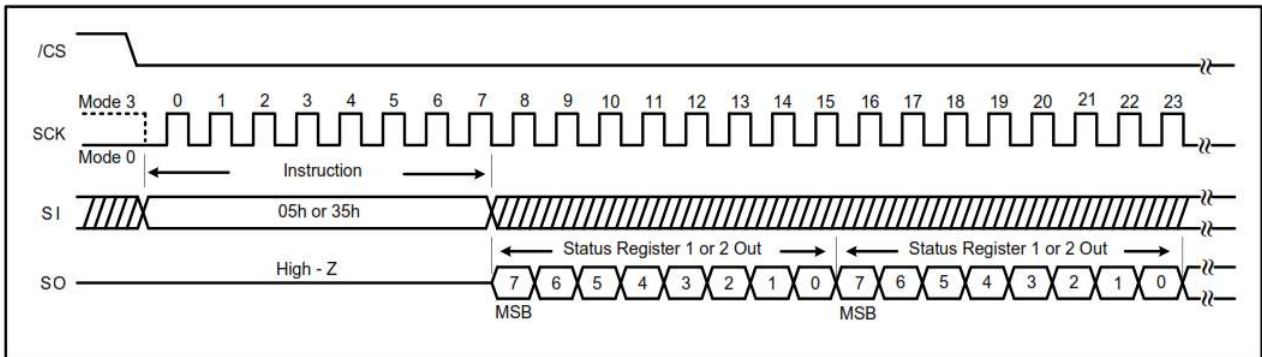
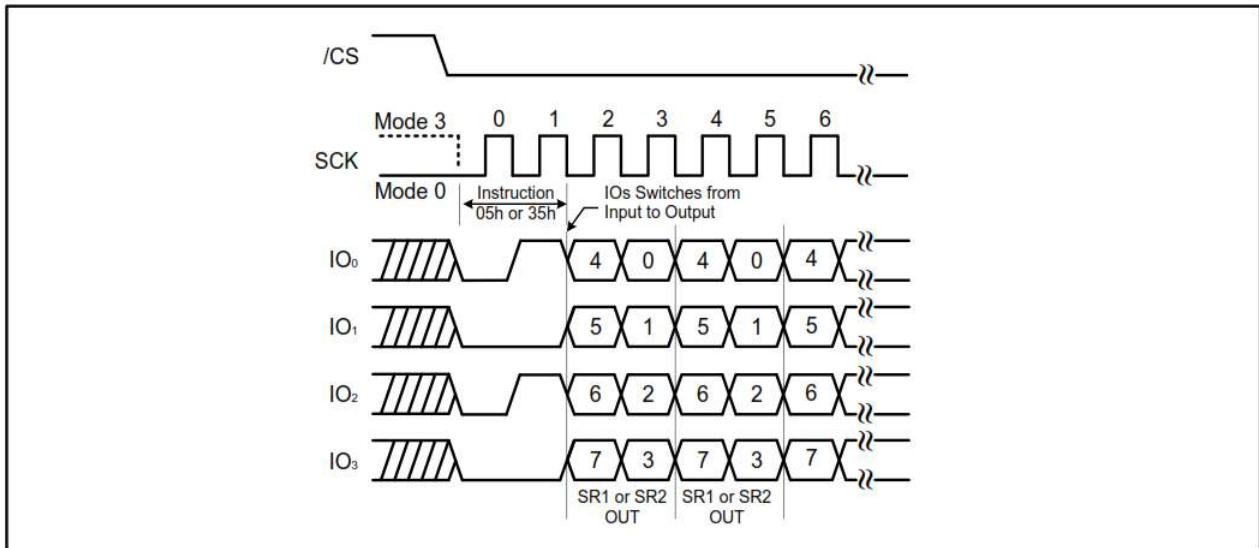


Figure 7-5. Read Status Register Instruction (QPI Mode)



## 7.6 Write Status Register (01h)

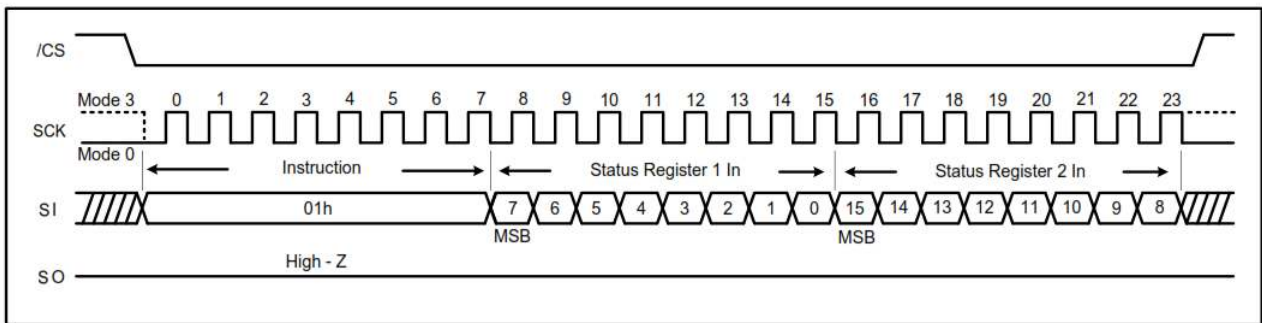
The Write Status Register instruction is to write only non-volatile Status Register-1 bits (SRP0) and Status Register-2 bits (QE and SRP1). All other Status Register bit locations are read-only and will not be affected by the Write Status Register instruction.

A Write Enable instruction must previously have been issued prior to setting Write Status Register Instruction (Status Register bit WEL must equal 1). Once write is enabled, the instruction is entered by driving  $\overline{CS}$  low, sending the instruction code, and then writing the status register data byte as illustrated in Figure 7-6 and Figure 7-7.

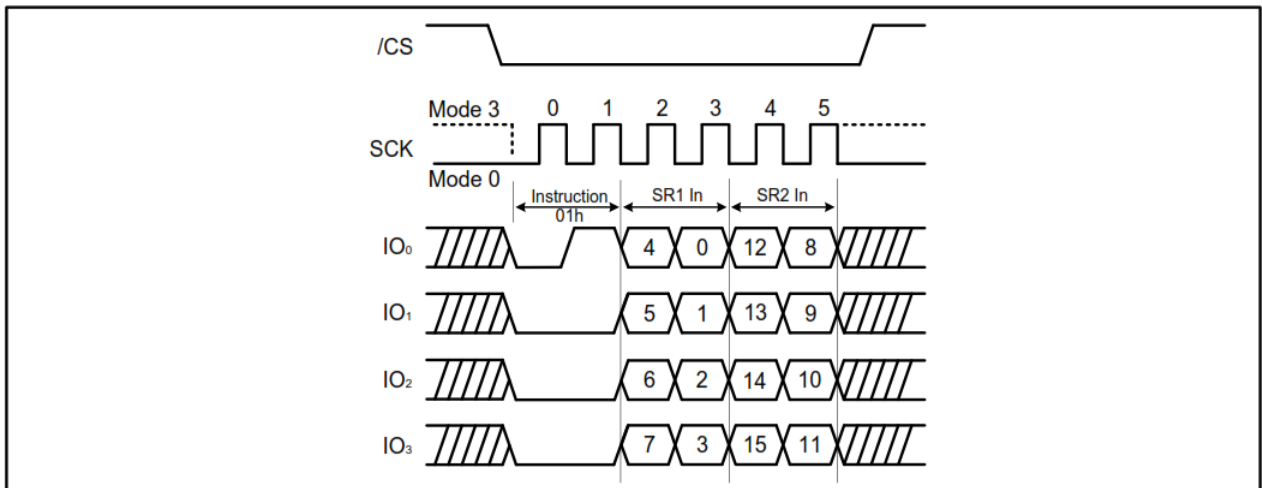
The  $\overline{CS}$  pin must be driven high after the eighth or sixteenth bit of data that is clocked in. If this is not done the Write Status Register instruction will not be executed. If  $\overline{CS}$  is driven high after the eighth clock, the QE and SRP1 bits are cleared to 0. After  $\overline{CS}$  is driven high, the self-timed Write Status Register cycle will commence for a time duration of  $t_w$  as defined in [Section 8.6, AC Electrical Characteristics](#).

While the Write Status Register cycle is in progress, the Read Status Register instruction may still be accessed to check the status of the BUSY bit. The BUSY bit is a 1 during the Write Status Register cycle and a 0 when the cycle is finished and ready to accept other instructions again. When the BUSY bit is asserted, the Write Enable Latch (WEL) bit in Status Register will be cleared to 0.

**Figure 7-6. Write Status Register Instruction (SPI Mode)**



**Figure 7-7. Write Status Register Instruction (QPI Mode)**



## 7.7 Write Status Register-2 (31h)

The Write Status Register-2 instruction is to write only non-volatile Status Register-2 bits (QE and SRP1).

A Write Enable instruction must previously have been issued prior to setting Write Status Register Instruction (Status Register bit WEL must equal 1). Once write is enabled, the instruction is entered by driving  $\overline{CS}$  low, sending the instruction code, and then writing the status register data byte as illustrated in [Figure 7-8](#) and [Figure 7-9](#).

Using Write Status Register-2 (31h) instruction, software can individually access each one-byte status registers via different instructions.

Figure 7-8. Write Status Register-2 Instruction (SPI Mode)

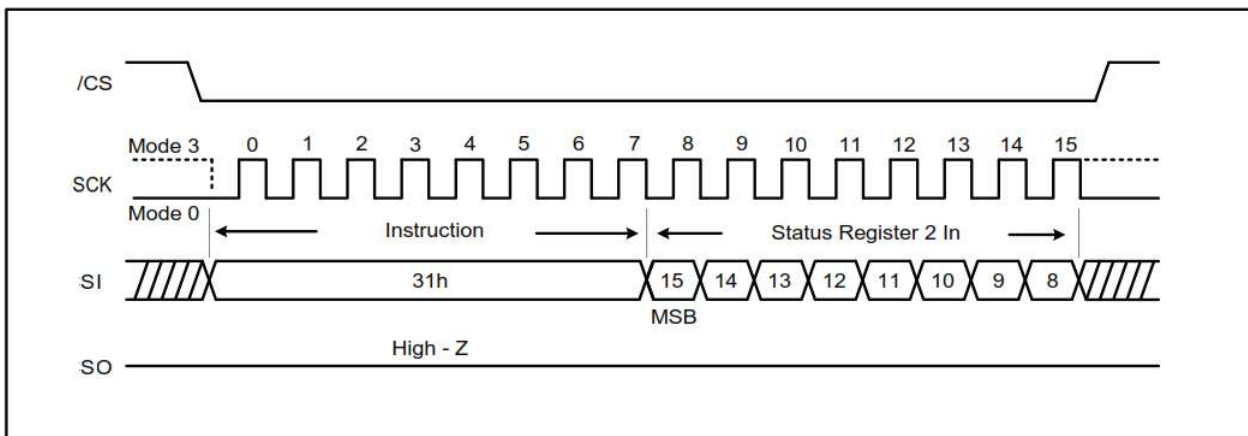
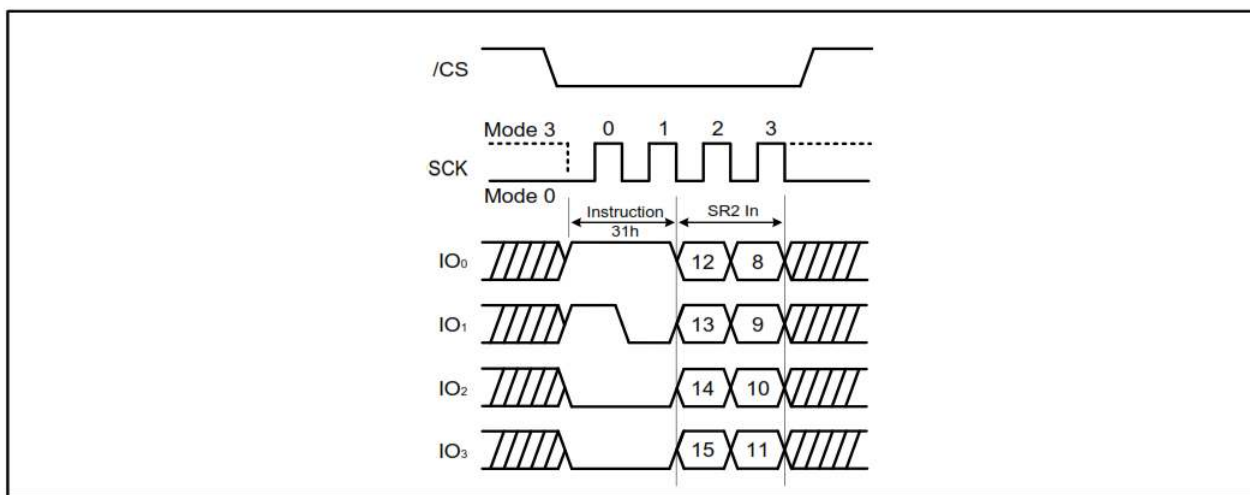


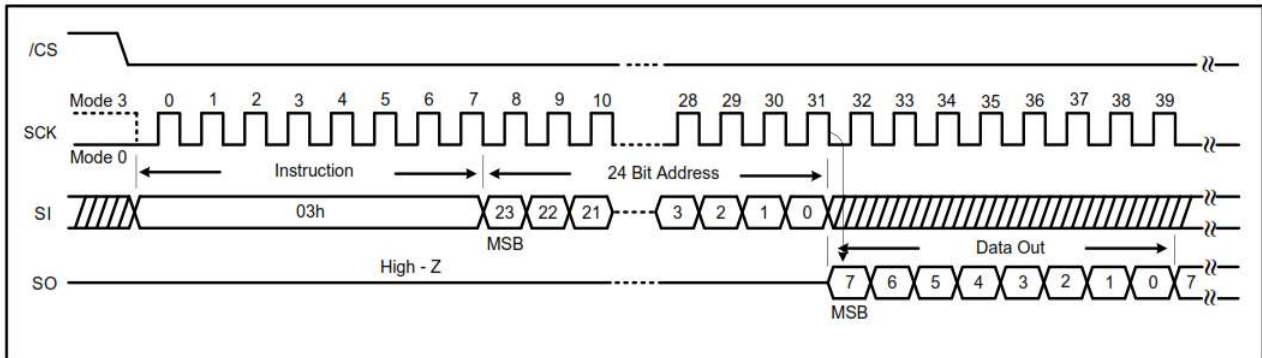
Figure 7-9. Write Status Register-2 Instruction (QPI Mode)



## 7.8 Read Data (03h)

The Read Data instruction is to read data out from the device. The instruction is initiated by driving the  $\overline{CS}$  pin low and then sending the instruction code “03h” with following a 24-bit address (A23- A0) into the SI pin. After the address is received, the data byte of the addressed memory location will be shifted out on the SO pin at the falling edge of SCK with most significant bit (MSB) first. The address is automatically incremented to the next higher address after byte of data is shifted out allowing for a continuous stream of data. This means that the entire memory can be accessed with a single instruction as long as the clock continues. The instruction is completed by driving  $\overline{CS}$  high. The Read Data instruction sequence is shown in Figure 7-10. If a Read Data instruction is issued while an Erase, Program or Write Status Register cycle is in process (BUSY = 1) the instruction is ignored and does not have any effects on the current cycle. The Read Data instruction allows clock rates from D.C to a maximum frequency of  $f_{R}$  as defined in Section 8.6, AC Electrical Characteristics.

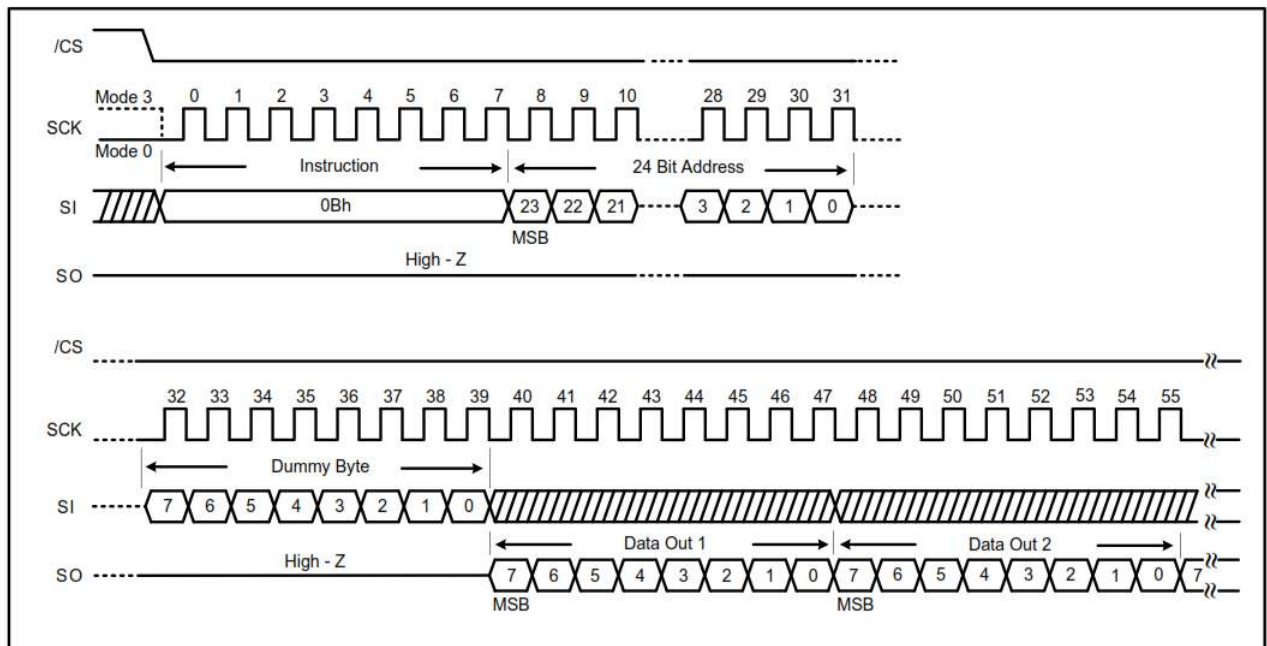
Figure 7-10. Read Data Instruction



## 7.9 Fast Read (0Bh)

The Fast Read instruction is high speed reading mode that it can operate at the highest possible frequency of  $F_R$ . The address is latched on the rising edge of the SCK. After the 24-bit address, this is accomplished by adding “dummy” clocks as shown in Figure 7-11. The dummy clocks means the internal circuits require time to set up the initial address. During the dummy clocks, the data value on the SO pin is a “don’t care”. Data of each bit shifts out on the falling edge of SCK.

Figure 7-11. Fast Read Instruction (SPI Mode)



## 7.10 Fast Read in QPI Mode

When QPI mode is enabled, the number of dummy clock is configured by the “Set Read Parameters (C0h)” instruction to accommodate wide range applications with different needs for either maximum Fast Read frequency or minimum data access latency. Depending on the Read Parameter Bit P[4] and P[5] setting, the number of dummy clocks can be configured as either 4, or 6 or 8. The default number of dummy clocks upon power up or after a Reset instruction is 4 xz shown in Figure 7-12 and Figure 7-13.



Figure 7-12. Fast Read instruction (QPI Mode, 80MHz)

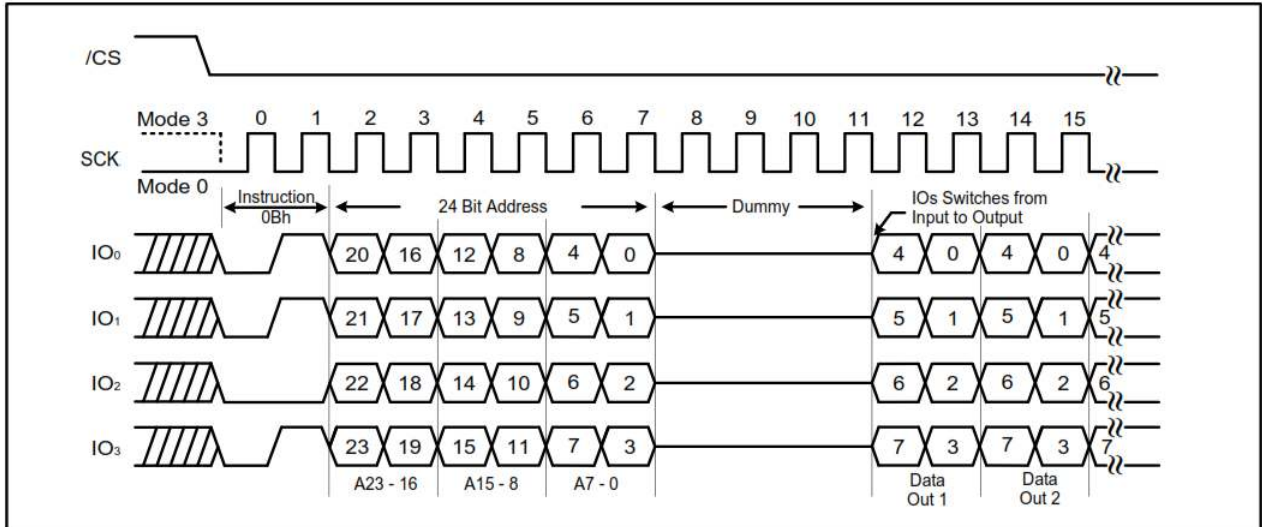
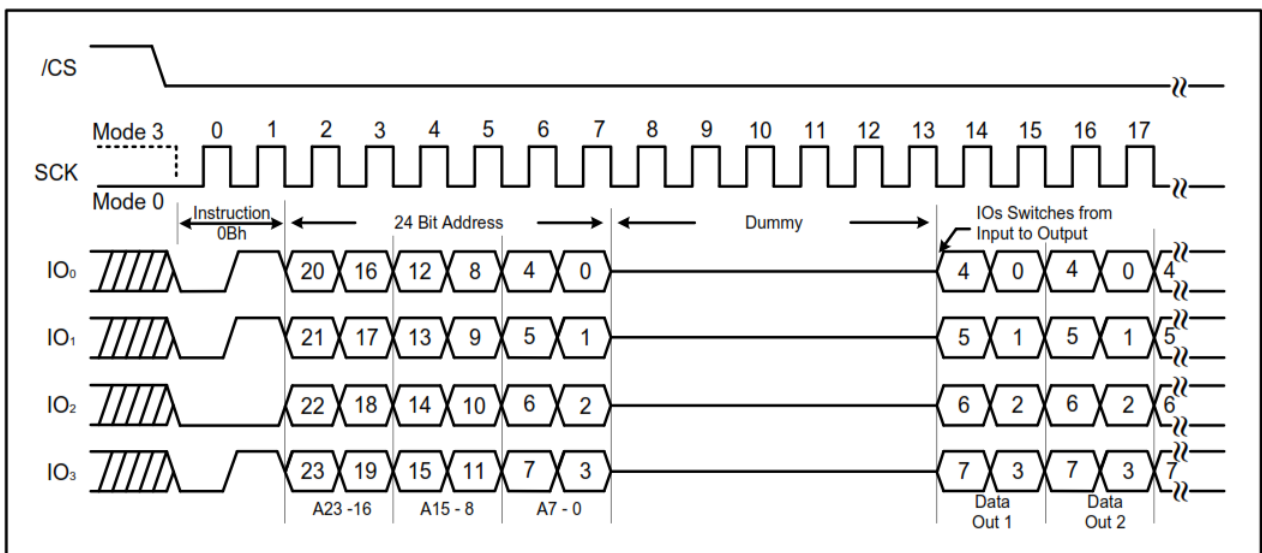


Figure 7-13. Fast Read instruction (QPI Mode, 104MHz)



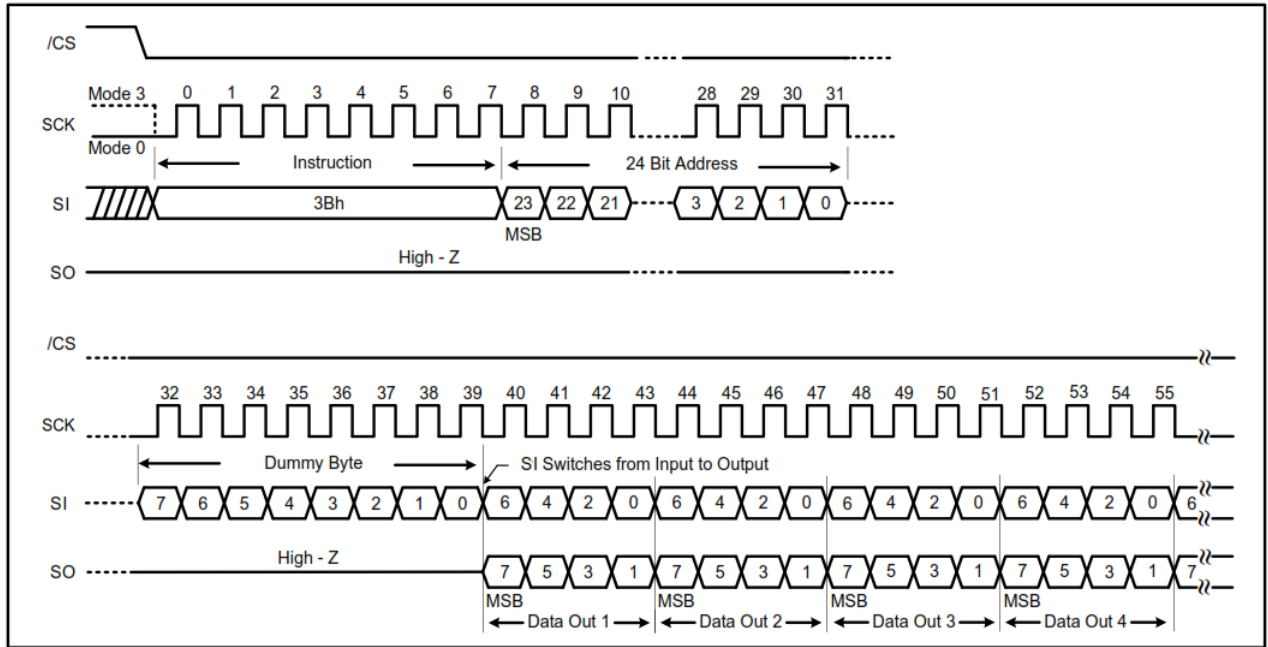
## 7.11 Fast Read Dual Output (3Bh)

By using two pins (IO<sub>0</sub> and IO<sub>1</sub>, instead of just IO<sub>0</sub>), The Fast Read Dual Output instruction allows data to be transferred from the AT25QL128A at twice the rate of standard SPI devices. The Fast Read Dual Output instruction is ideal for quickly downloading code from Flash to RAM upon power-up or for application that cache code-segments to RAM for execution.

The Fast Read Dual Output instruction can operate at the highest possible frequency of  $F_R$  as defined in [Section 8.6, AC Electrical Characteristics](#). After the 24-bit address, this is accomplished by adding eight “dummy” clocks as shown in [Figure 7-14](#). The dummy clocks allow the internal circuits additional time for setting up the initial address. During the dummy clocks, the data value on the SO pin is a “don’t care”. However, the IO<sub>0</sub> pin should be high-impedance prior to the falling edge of the first data out clock.



Figure 7-14. Fast Read Dual Output instruction (SPI Mode)

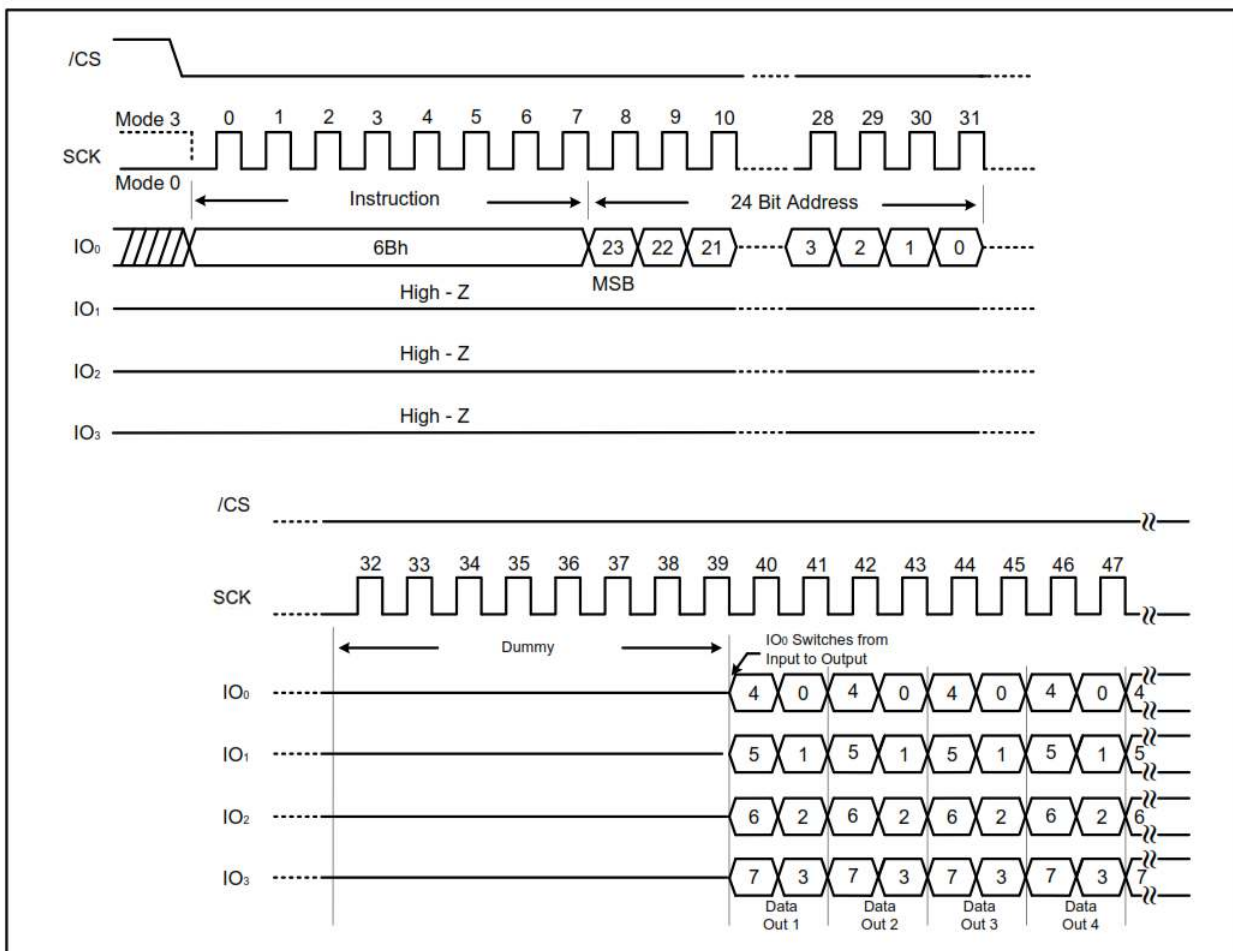


## 7.12 Fast Read Quad Output (6Bh)

By using four pins (IO<sub>0</sub>, IO<sub>1</sub>, IO<sub>2</sub>, and IO<sub>3</sub>), The Fast Read Quad Output instruction allows data to be transferred from the AT25QL128A at four times the rate of standard SPI devices. A Quad enable of Status Register-2 must be executed before the device accepts the Fast Read Quad Output instruction (Status Register bit QE must equal 1).

The Fast Read Quad Output instruction can operate at the highest possible frequency of  $F_R$  (see AC Electrical Characteristics). This is accomplished by adding eight “dummy” clocks after the 24-bit address as shown in Figure 7-15. The dummy clocks allow the internal circuits additional time for setting up the initial address. During the dummy clocks, the data value on the SO pin is a “don’t care”. However, the IO<sub>0</sub> pin should be high-impedance prior to the falling edge of the first data out clock.

Figure 7-15. Fast Read Quad Output instruction (SPI Mode)



### 7.13 Fast Read Dual I/O (BBh)

The Fast Read Dual I/O instruction reduces cycle overhead through double access using two IO pins:  $IO_0$  and  $IO_1$ .

#### Continuous Read Mode

The Fast Read Dual I/O instruction can further reduce cycle overhead through setting the Mode bits (M7-0) after the input Address bits (A23-0). The upper nibble of the Mode (M7-4) controls the length of the next Fast Read Dual I/O instruction through the inclusion or exclusion of the first byte instruction code. The lower nibble bits of the Mode (M3-0) are don't care ("X"). However, the IO pins should be high-impedance prior to the falling edge of the first data out clock.

If the Mode bits (M7-0) equal "Ax" hex, then the next Fast Dual I/O instruction (after  $\overline{CS}$  is raised and then lowered) does not require the instruction (BBh) code, as shown in Figure 7-16 and Figure 7-17. This reduces the instruction sequence by eight clocks and allows the address to be immediately entered after  $\overline{CS}$  is asserted low. If Mode bits (M7-0) are any value other "Ax" hex, the next instruction (after  $\overline{CS}$  is raised and then lowered) requires the first byte instruction code, thus returning to normal operation. A Mode Bit Reset can be used to reset Mode Bits (M7-0) before issuing normal instructions.

Figure 7-16. Fast Read Dual I/O Instruction (initial instruction or previous M7-0 ≠ Axh)

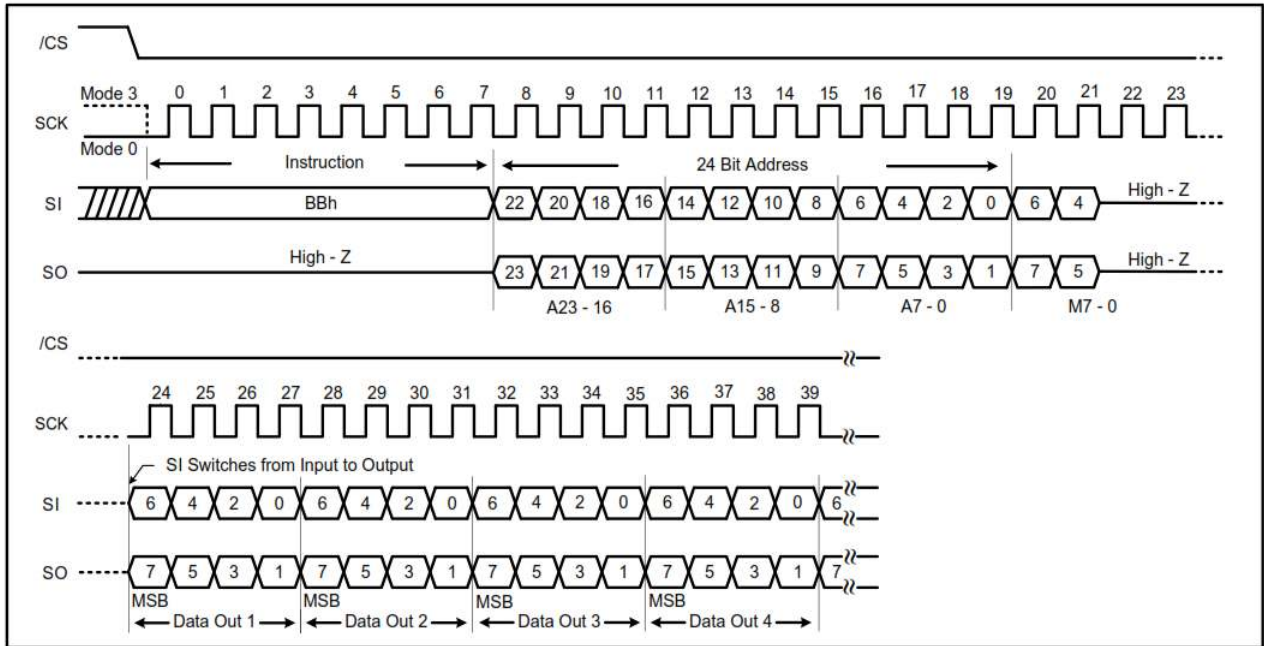
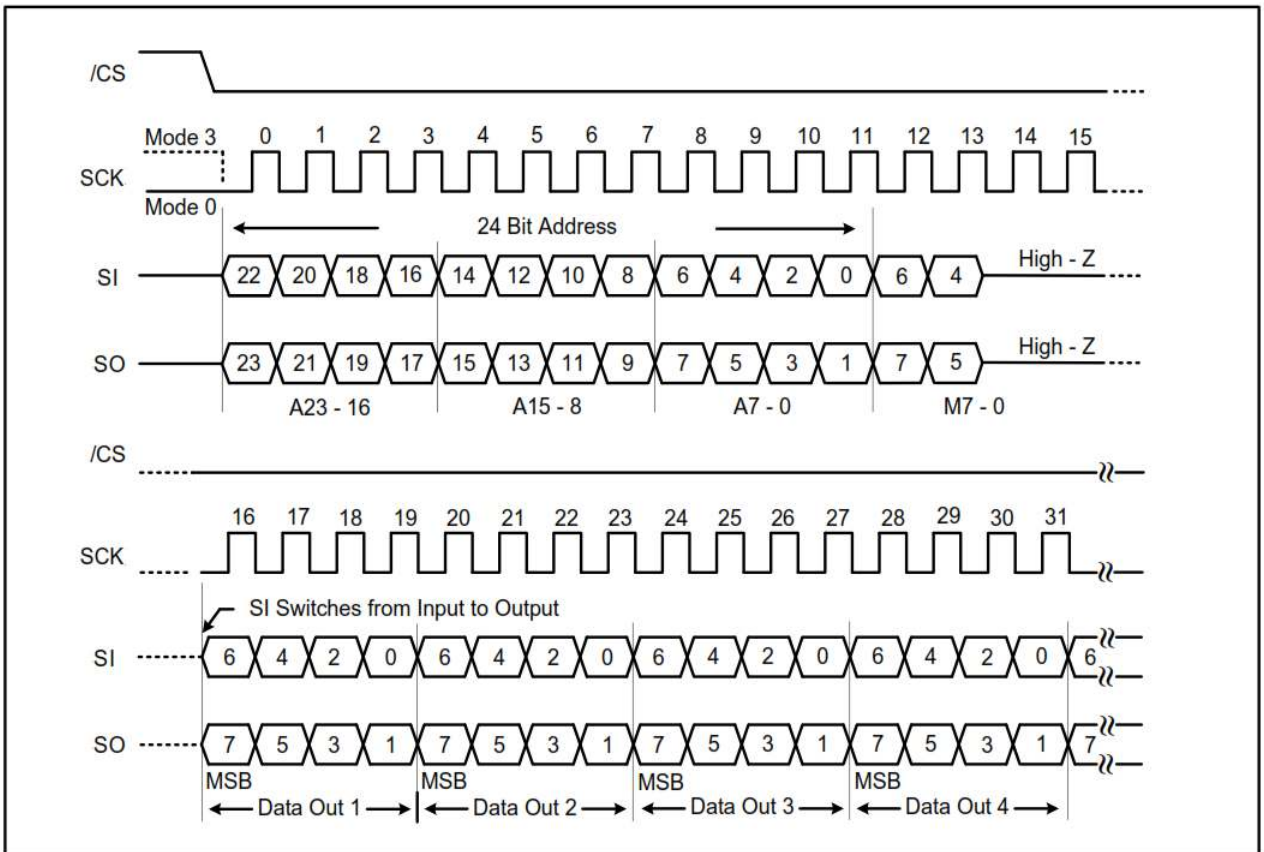


Figure 7-17. Fast Read Dual I/O Instruction (previous M7-0= Axh)



## 7.14 Fast Read Quad I/O (EBh)

The Fast Read Quad I/O instruction reduces cycle overhead through quad access using four IO pins: IO<sub>0</sub>, IO<sub>1</sub>, IO<sub>2</sub>, and IO<sub>3</sub>. The Quad Enable bit (QE) of Status Register-2 must be set to enable the Fast read Quad I/O Instruction.

### Continuous read mode

The Fast Read Quad I/O instruction can further reduce instruction overhead through setting the Mode bits (M7-0) with following the input Address bits (A23-0), as shown in Figure 7-18. The upper nibble of the Mode (M7-4) controls the length of the next Fast Read Quad I/O instruction through the inclusion or exclusion of the first byte instruction code. The lower nibble bits of the Mode (M3-0) are don't care ("X"). However, the IO pins should be high-impedance prior to the falling edge of the first data out clock.

If the Mode bits (M7-0) equal "Ax" hex, then the next Fast Read Quad I/O instruction (after  $\overline{CS}$  is raised and then lowered) does not require the EBh instruction code, as shown in Figure 7-19. This reduces the instruction sequence by eight clocks and allows the address to be immediately entered after  $\overline{CS}$  is asserted low. If the Mode bits (M7-0) are any value other than "Ax" hex, the next instruction (after  $\overline{CS}$  is raised and then lowered) requires the first byte instruction code, thus returning normal operation. A Mode Bit Reset can be used to reset Mode Bits (M7-0) before issuing normal instructions.

Figure 7-18. Fast Read Quad I/O Instruction (Initial instruction or previous M7-0  $\neq$  Axh, SPI mode)

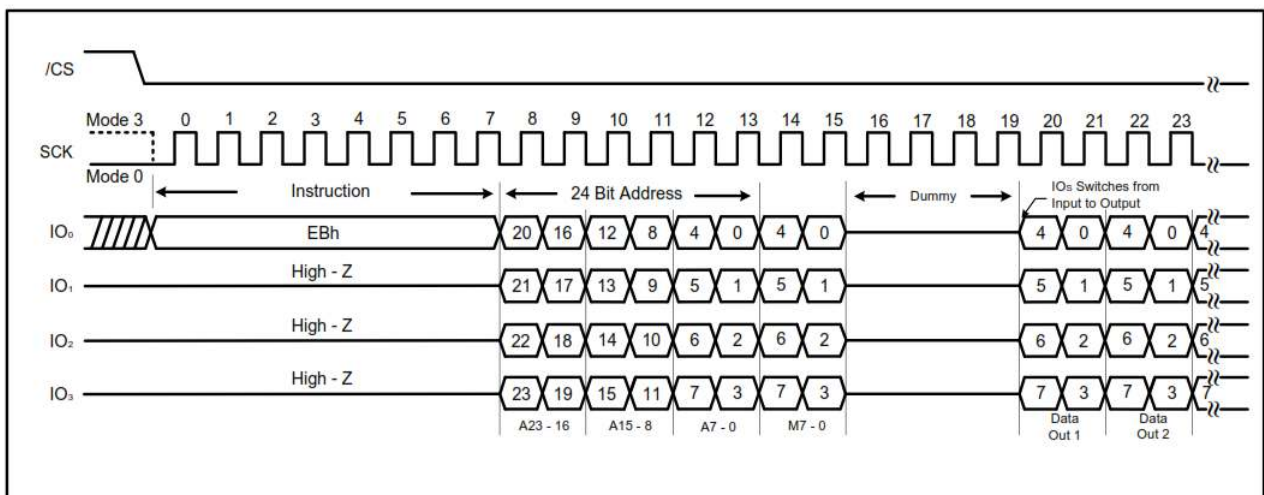
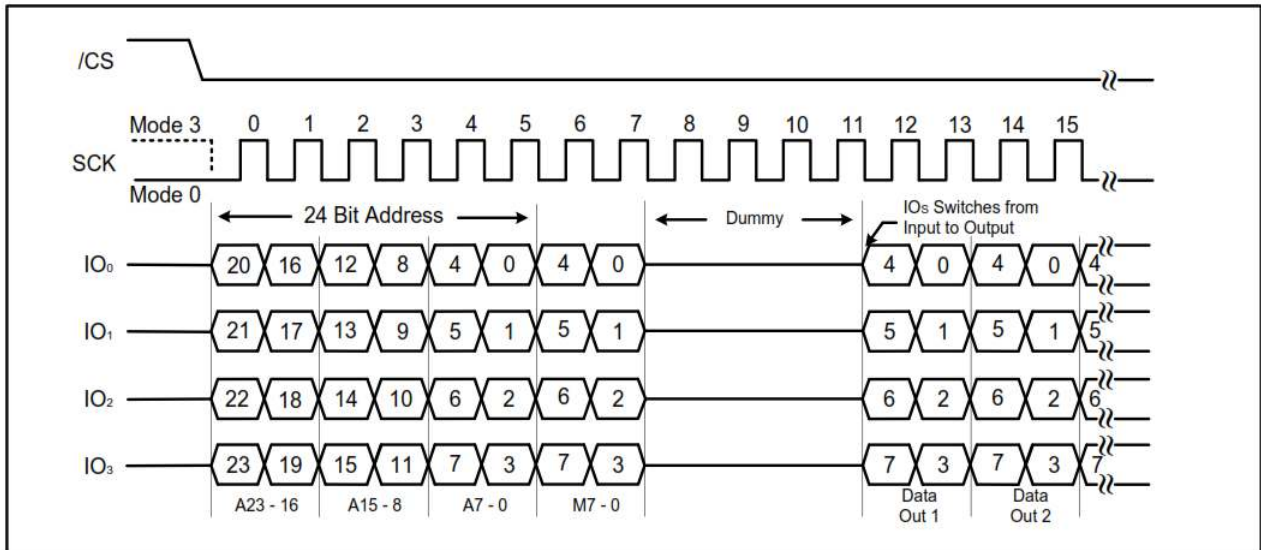


Figure 7-19. Fast Read Quad I/O Instruction (previous M7-0 = Axh, SPI mode)



### Wrap Around in SPI mode

The Fast Read Quad I/O instruction can also be used to access specific portion within a page by issuing a “Set Burst with Wrap” (77h) instruction prior Fast Read Quad I/O (EBh) instruction. The “Set Burst with Wrap” (77h) instruction can either enable or disable the “Wrap Around” feature for the following Fast Read Quad I/O instruction.

When “Wrap Around” is enabled, the data being accessed can be limited to an 8/16/32/64-byte section of a 256-byte page. The output data starts at the initial address specified in the instruction, once it reaches the ending boundary of the 8/16/32/64-byte section, the output will wrap around to the beginning boundary automatically until  $\overline{CS}$  is pulled high to terminate the instruction.

The Burst with Wrap feature allows applications that use cache to quickly fetch a critical address and then fill the cache afterwards within a fixed length (8/16/32/64-byte) of data without issuing multiple read instructions. (Please refer to [Section 7.32](#) Set Burst with Wrap).

### Fast Read Quad I/O in QPI mode

When QPI mode is enabled, the number of dummy clocks is configured by the “Set Read Parameters (C0h)” instruction to accommodate a wide range applications with different needs for either maximum Fast Read frequency or minimum data access latency. Depending on the Read Parameter Bits P [4] and P [5] setting, the number of dummy clocks can be configured as either 4 or 6 or 8. The default number of dummy clocks upon power up or after a Reset (99h) instruction is 4.

“Continuous Read Mode” feature is also available in QPI mode for Fast Read Quad I/O instruction. In QPI mode, the “Continuous Read Mode” bits M7-0 are also considered as dummy clocks. In the default setting, the data output follows the Continuous Read Mode bits immediately.

“Wrap Around” feature is not available in QPI mode for Fast Read Quad I/O instruction. To perform a read operation with fixed data length wrap around in QPI mode, a “Burst Read with Wrap” (0Ch) instruction must be used. (Please refer to [Section 7.33](#) Burst Read with Wrap).



Figure 7-20. Fast Read Quad I/O Instruction (Initial instruction or previous M7-0 ≠ A<sub>xh</sub>, QPI mode, 80MHz)

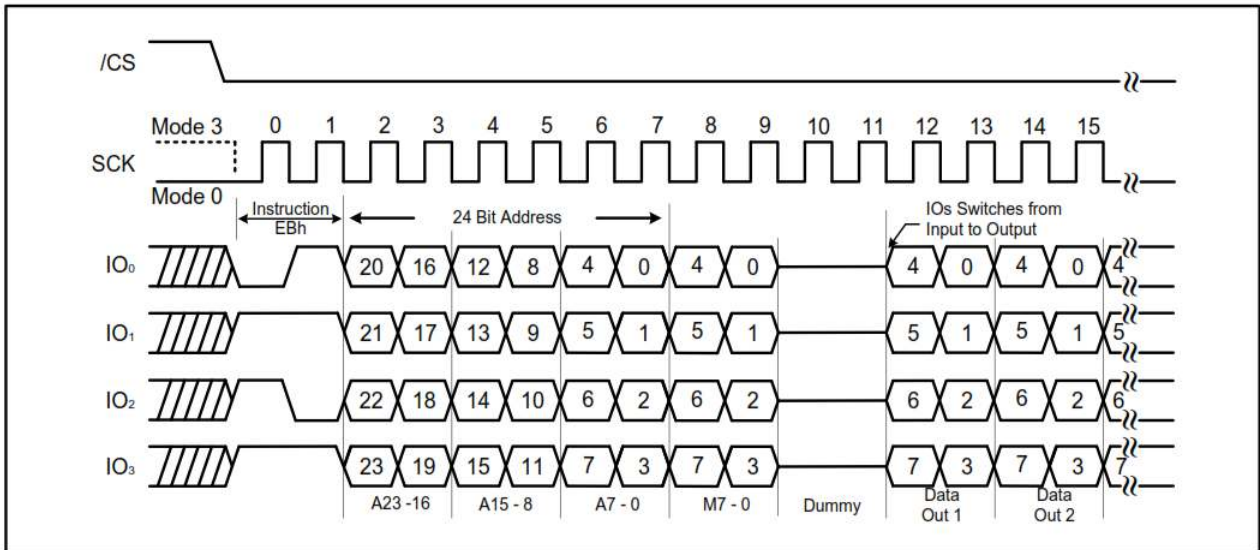
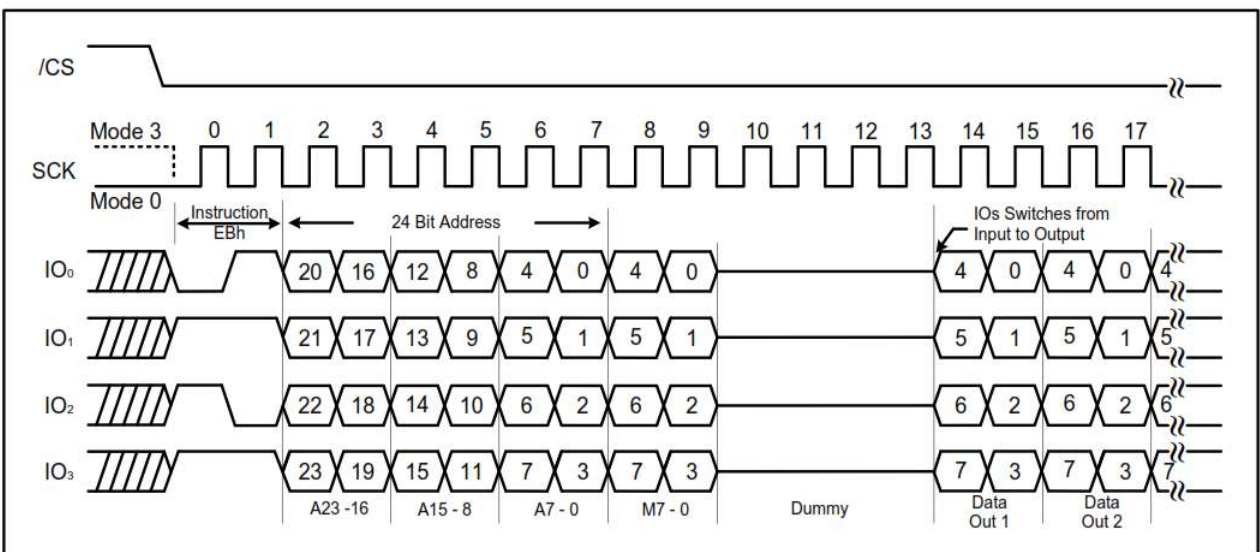


Figure 7-21. Fast Read Quad I/O Instruction (Initial instruction or previous M7-0 ≠ A<sub>xh</sub>, QPI mode, 133MHz)



## 7.15 Page Program (02h)

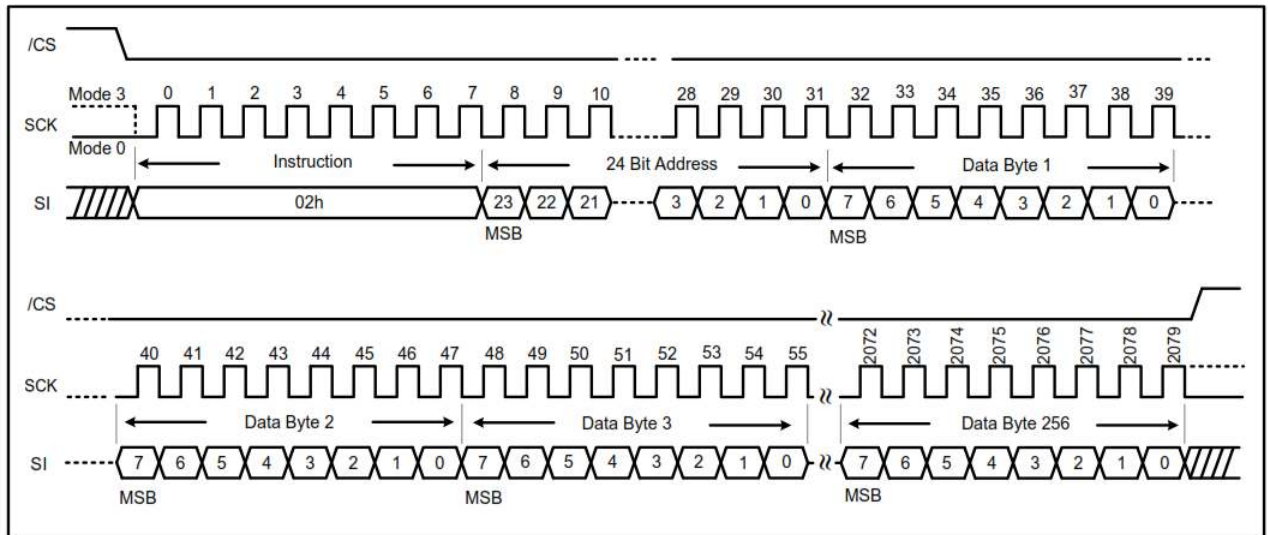
The Page Program instruction is for programming the memory to be “0”. A Write Enable instruction must be issued before the device accept the Page Program Instruction (Status Register bit WEL= 1). After the Write Enable (WREN) instruction has been decoded, the device sets the Write Enable Latch (WEL). The instruction is entered by driving the  $\overline{\text{CS}}$  pin low and then sending the instruction code “02h” with following a 24-bits address (A23-A0) and at least one data byte, into the SI pin. The  $\overline{\text{CS}}$  pin must be driven low for the entire time of the instruction while data is being sent to the device. (Please refer to Figure 7-22 and Figure 7-23).

If an entire 256 byte page is to be programmed, the last address byte (the 8 least significant address bits) should be set to 0. If the last address byte is not zero, and the number of clocks exceeds the remaining page length, the addressing will wrap to the beginning of the page. In some cases, less than 256 bytes (a partial page) can be programmed without having any effect on other bytes within the same page. One condition to perform a partial page program is that the

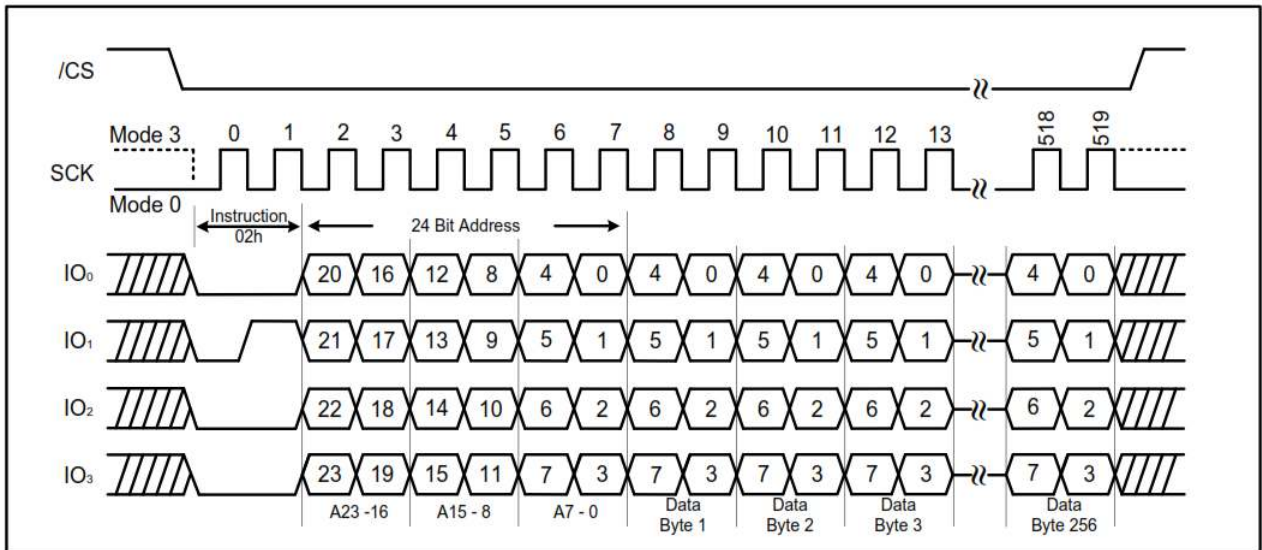
number of clocks cannot exceed the remaining page length. If more than 256 bytes are sent to the device the addressing will wrap to the beginning of the page and overwrite previously sent data

The  $\overline{CS}$  pin must be driven high after the eighth bit of the last byte has been latched. If this is not done the Page Program instruction will not be executed. After  $\overline{CS}$  is driven high, the self-timed Page Program instruction commences for a time duration of  $t_{pp}$  (See AC Characteristics). While the Page Program cycle is in progress, the Read Status Register instruction may still be accessed for checking the status of the BUSY bit. The BUSY bit is a 1 during the Page Program cycle and becomes a 0 when the cycle is finished and the device is ready to accept other instructions again. When the BUSY bit is asserted, the Write Enable Latch (WEL) bit in the Status Register is cleared to 0.

**Figure 7-22. Page Program Instruction (SPI Mode)**



**Figure 7-23. Page Program Instruction (QPI Mode)**



## 7.16 Quad Page Program (33h)

The Quad Page Program instruction is to program the memory as being “0” at previously erased memory areas. The Quad Page Program takes four pins: IO<sub>0</sub>, IO<sub>1</sub>, IO<sub>2</sub> and IO<sub>3</sub> as address and data input, which can improve programmer performance and the effectiveness of application of lower clock less than 5MHz. System using faster clock speed will not get more benefit for the Quad Page Program as the required internal page program time is far more than the time data clock-in.

To use Quad Page Program, the Quad Enable bit must be set, A Write Enable instruction must be executed before the device accepts the Quad Page Program instruction (Status Register-1, WEL = 1). The instruction is initiated by driving the  $\overline{CS}$  pin low then sending the instruction code “33h” with following a 24-bit address (A23-A0) and at least one data, into the IO pins. The  $\overline{CS}$  pin must be held low for the entire length of the instruction while data is being sent to the device. All other functions of Quad Page Program are perfectly same as standard Page Program. (Please refer to [Figure 7-24](#) and [Figure 7-25](#)).

**Figure 7-24. Quad Page Program Instruction (SPI mode)**

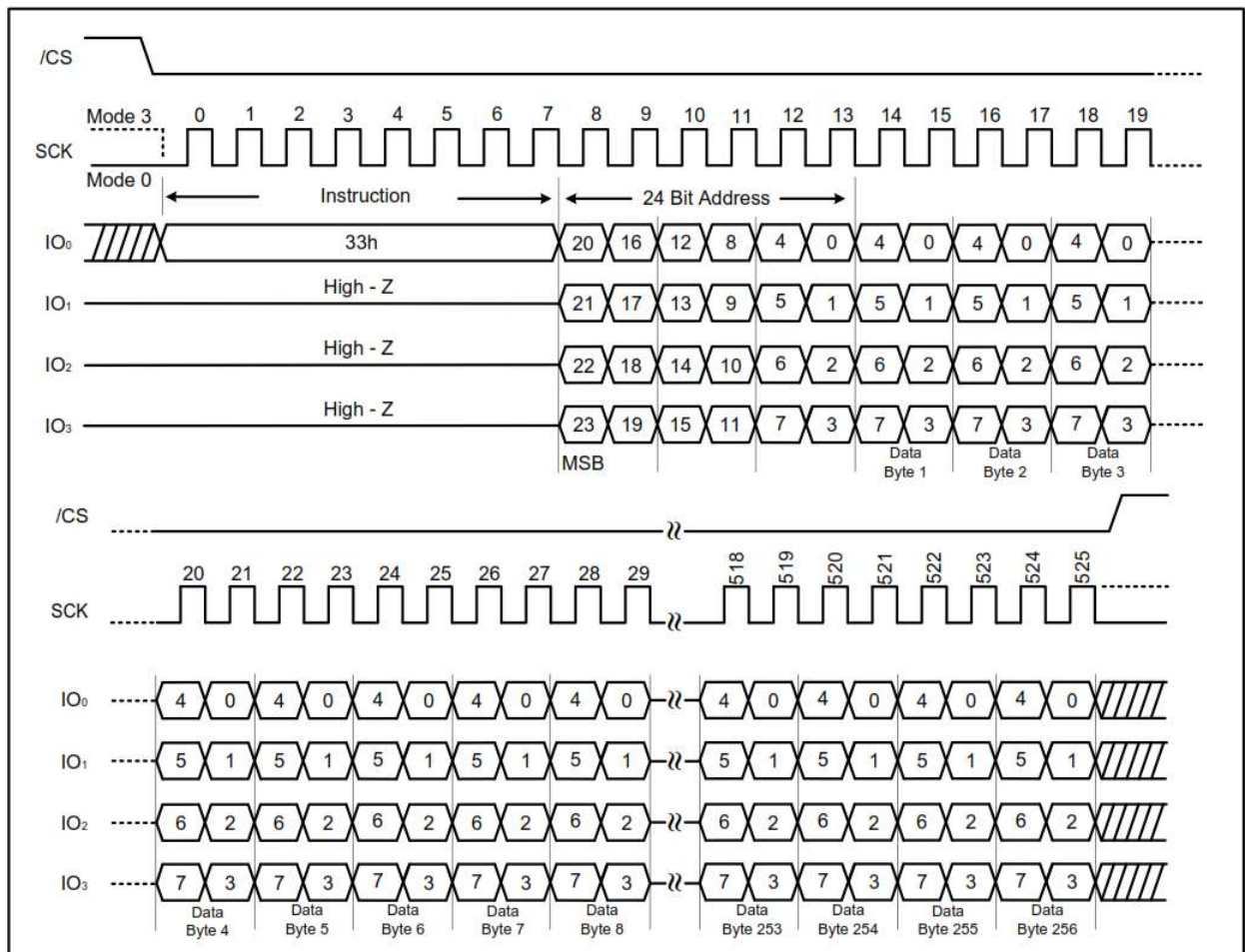
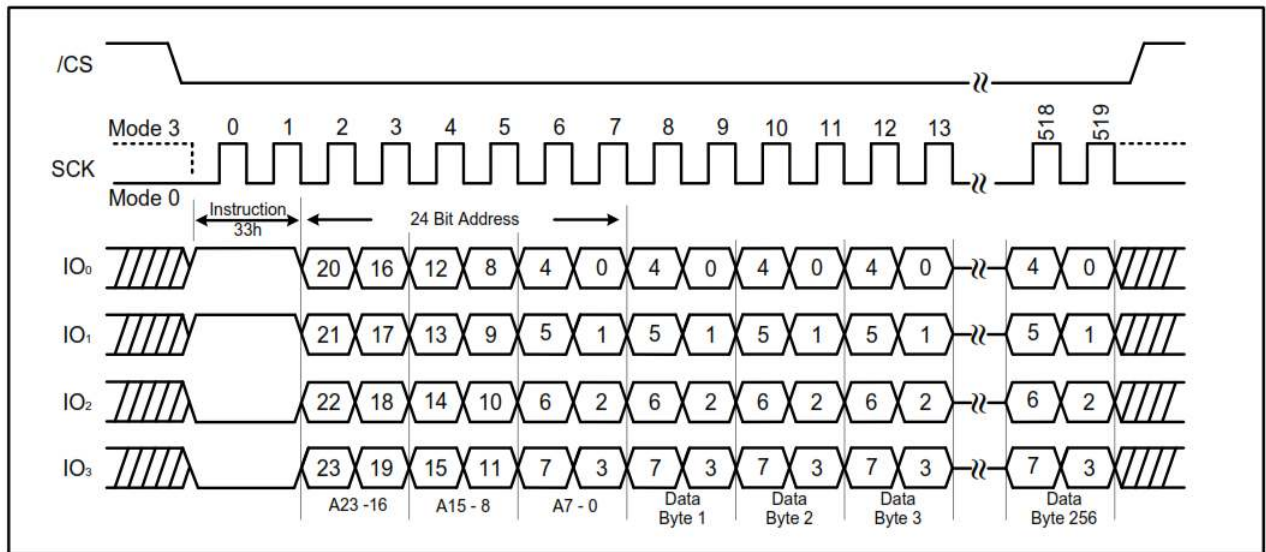




Figure 7-25. Quad Page Program Instruction (QPI mode)



### 7.17 4 KB Block Erase (20h)

The Block Erase instruction is to erase the data of the selected block as being “1”. The instruction is used for 4K-byte block. Prior to the Block Erase Instruction, the Write Enable instruction must be issued. The instruction is initiated by driving the  $\overline{\text{CS}}$  pin low and shifting the instruction code “20h” followed a 24-bit block address (A23-A0). (Please refer to [Figure 7-26](#) and [Figure 7-27](#)). The  $\overline{\text{CS}}$  pin must go high after the eighth bit of the last byte has been latched in, otherwise, the Block Erase instruction is not executed. After  $\overline{\text{CS}}$  goes high, the self-timed Block Erase instruction will commence for a time duration of  $t_{\text{SE}}$  as defined in [Section 8.6, AC Electrical Characteristics](#).

While the Block Erase cycle is in progress, the Read Status Register instruction may still be accessed for checking the status of the BUSY bit. The BUSY bit is a 1 during the Block Erase cycle and becomes a 0 when the cycle is finished and the device is ready to accept other instructions again. When the BUSY bit is asserted, the Write Enable Latch (WEL) bit in the Status Register is cleared to 0.

Figure 7-26. Block Erase Instruction (SPI Mode)

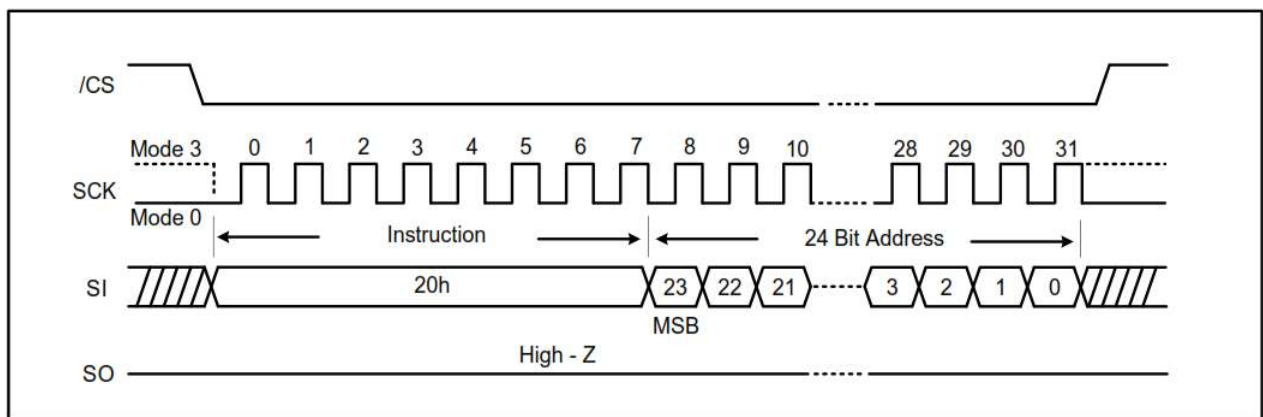
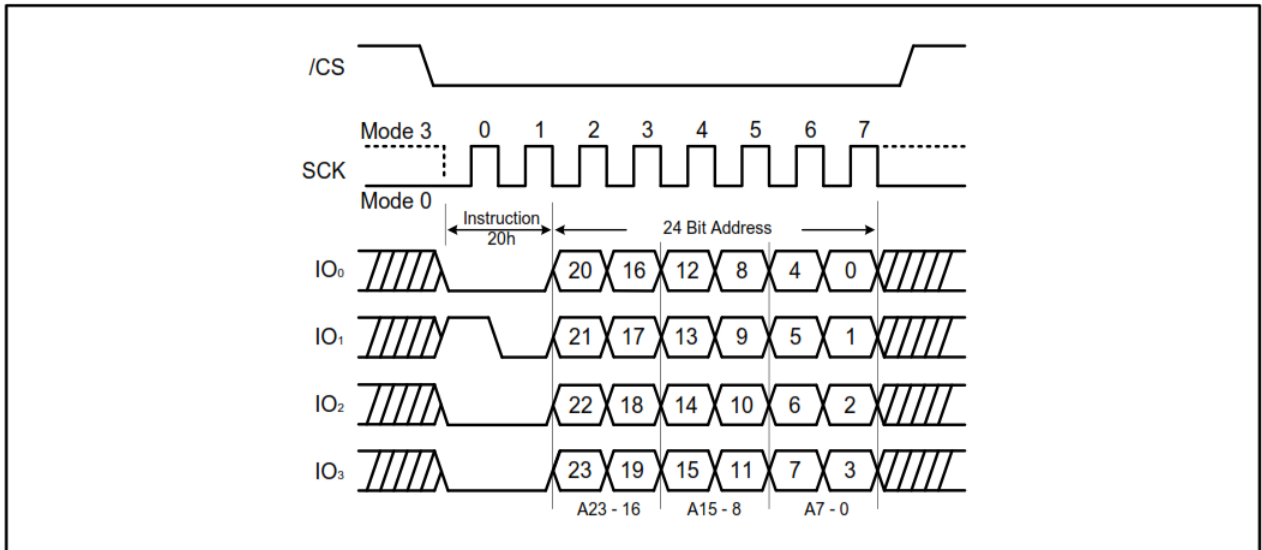


Figure 7-27. Block Erase Instruction (QPI Mode)



### 7.18 32 KB Block Erase (52h)

The Block Erase instruction is to erase the data of the selected block as being "1". The instruction is used for 32K-byte Block erase operation. Prior to the Block Erase Instruction, a Write Enable instruction must be issued. The instruction is initiated by driving the CS pin low and shifting the instruction code "52h" followed a 24-bit block address (A23-A0). (Please refer to Figure 7-28 and Figure 7-29). The CS pin must go high after the eighth bit of the last byte has been latched in, otherwise, the Block Erase instruction is not executed. After CS is driven high, the self-timed Block Erase instruction commences for a time duration of  $t_{BE1}$  as defined in Section 8.6, AC Electrical Characteristics..

While the Block Erase cycle is in progress, the Read Status Register instruction may still be read the status of the BUSY bit. The BUSY bit is a 1 during the Block Erase cycle and becomes a 0 when the cycle is finished and the device is ready to accept other instructions again. When the BUSY bit is asserted, the Write Enable Latch (WEL) bit in the Status Register is cleared to 0.

Figure 7-28. 32 KB Block Erase Instruction (SPI Mode)

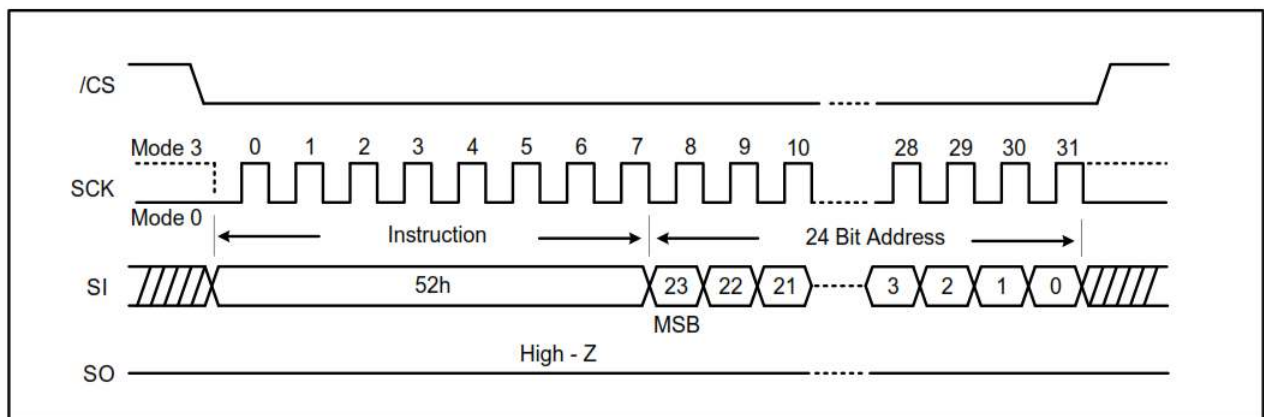
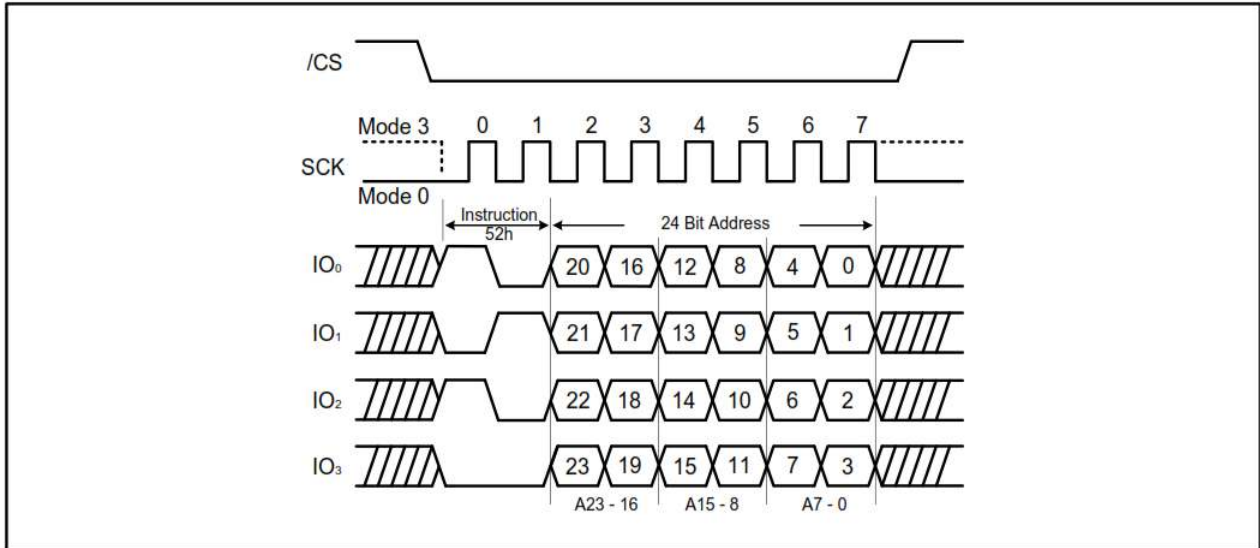


Figure 7-29. 32 KB Block Erase Instruction (QPI Mode)



### 7.19 64 KB Block Erase (D8h)

The Block Erase instruction is to erase the data of the selected block as being “1”. The instruction is used for 64K-byte Block erase operation. Prior to the Block Erase Instruction, a Write Enable instruction must be issued. The instruction is initiated by driving the CS pin low and shifting the instruction code “D8h” followed a 24-bit block address (A23-A0). (Please refer to Figure 7-30 and Figure 7-31). The  $\overline{CS}$  pin must go high after the eighth bit of the last byte has been latched in, otherwise, the Block Erase instruction is not executed. After  $\overline{CS}$  is driven high, the self-timed Block Erase instruction will commence for a time duration of  $t_{BE2}$  as defined in Section 8.6, AC Electrical Characteristics.

While the Block Erase cycle is in progress, the Read Status Register instruction may still be read the status of the BUSY bit. The BUSY bit is a 1 during the Block Erase cycle and becomes a 0 when the cycle is finished and the device is ready to accept other instructions again. When the BUSY bit is asserted, the Write Enable Latch (WEL) bit in the Status Register is cleared to 0.

Figure 7-30. 64 KB Block Erase Instruction (SPI Mode)

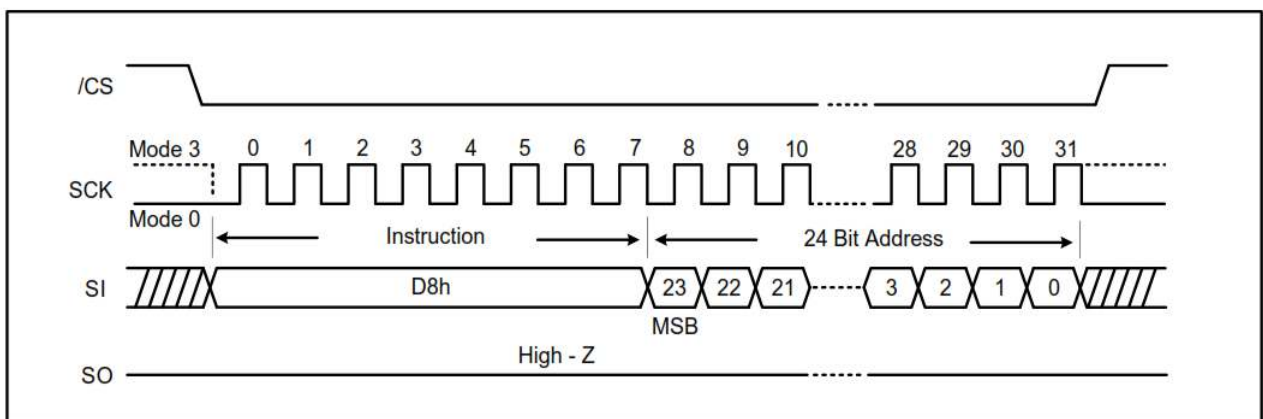
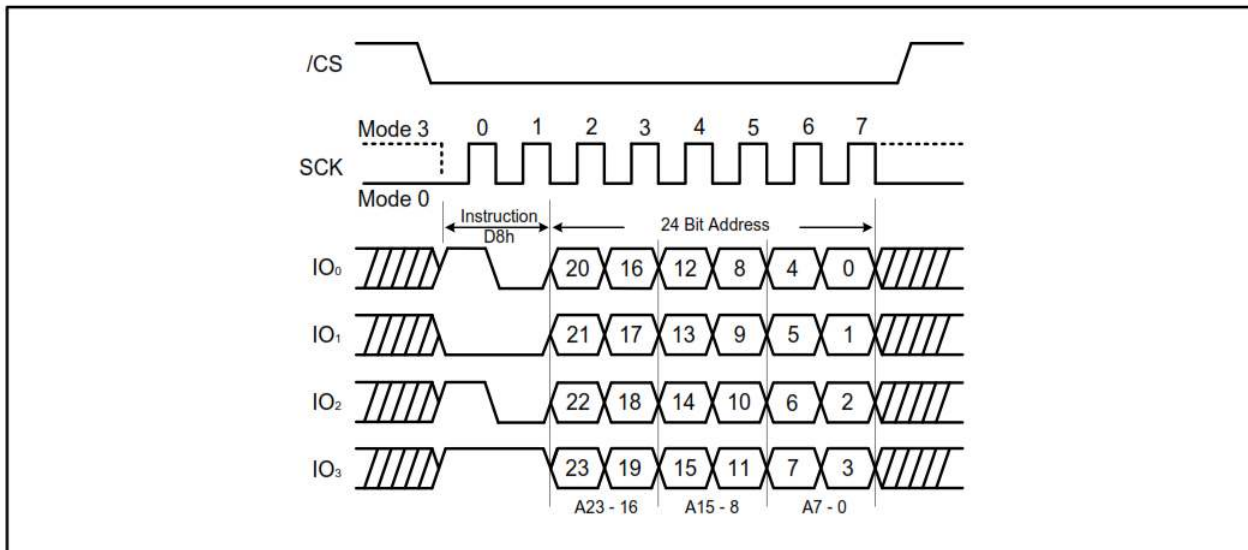


Figure 7-31. 64KB Block Erase Instruction (QPI Mode)

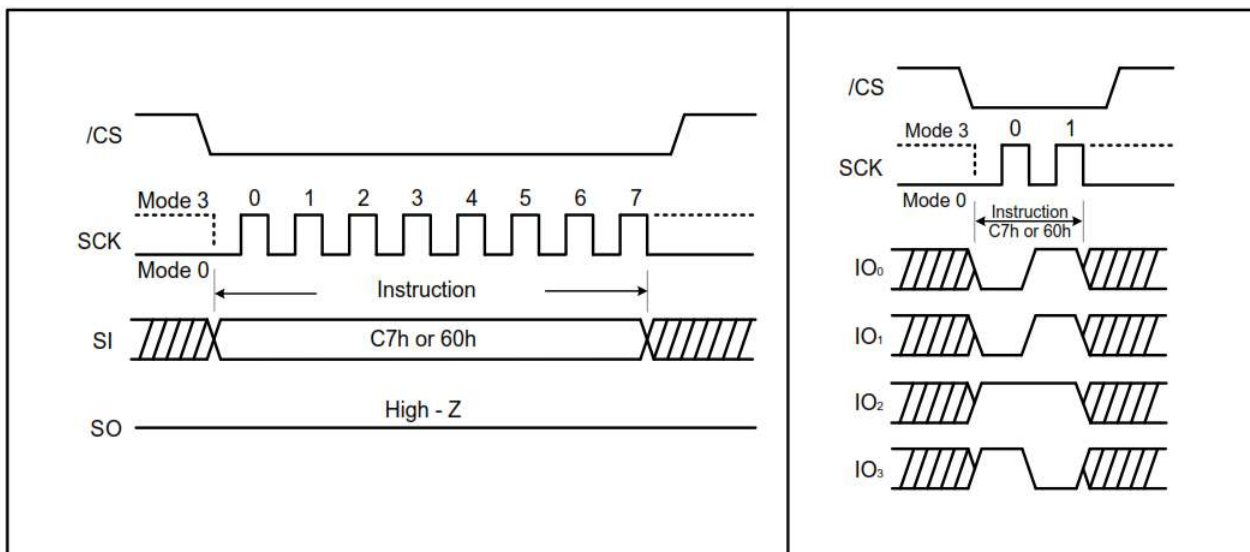


## 7.20 Chip Erase (C7h / 60h)

The Chip Erase instruction clears all bits in the device to be FFh (all 1s). Prior to the Chip Erase Instruction, a Write Enable instruction must be issued. The instruction is initiated by driving the  $\overline{CS}$  pin low and shifting the instruction code “C7h” or “60h”. (Please refer to Figure 7-32). The  $\overline{CS}$  pin must go high after the eighth bit of the last byte has been latched in, otherwise, the Chip Erase instruction will not be executed. After  $\overline{CS}$  is driven high, the self-timed Chip Erase instruction will commence for a duration of  $t_{CE}$  as defined in Section 8.6, AC Electrical Characteristics.

While the Chip Erase cycle is in progress, the Read Status Register instruction may still be accessed to check the status of the BUSY bit. The BUSY bit is a 1 during the Chip Erase cycle and becomes a 0 when the cycle is finished and the device is ready to accept other instructions again. When the BUSY bit is asserted, the Write Enable Latch (WEL) bit in the Status Register is cleared to 0.

Figure 7-32. Chip Erase Instruction for SPI Mode (left) and QPI Mode (right)



## 7.21 Erase / Program Suspend (75h)

The Erase/Program Suspend instruction allows the system to interrupt a Block Erase, Block Erase operation or a Page Program, Quad Data Input Page Program, Quad Page Program operation.

Erase Suspend is valid only during the Block or Block erase operation. The Write Status Register-1 (01h), Write Status Register-2 (31h) instruction and Erase instructions (20h, 52h, D8h, C7h, 60h) are not allowed during Erase Suspend. During the Chip Erase operation, the Erase Suspend instruction is ignored.

Program Suspend is valid only during the Page Program, Quad Data Input Page Program or Quad Page Program operation. The Write Status Register-1(01h), Write Status Register-2 (31h) instruction, Program instructions (02h and 33h) and Erase Instructions (20h, 52h, D8h, C7h, 60h) are not allowed during Program Suspend.

The Erase/Program Suspend instruction “75h” is accepted by the device only if the SUS bit in the Status Register equals to 0 and the BUSY bit equals to 1 while a Block Erase or a Page Program operation is on-going. If the SUS bit equals to 1 or the BUSY bit equals to 0, the Suspend instruction is ignored by the device. A maximum of time of “ $t_{SUS}$ ” as defined in [Section 8.6, AC Electrical Characteristics](#) is required to suspend the erase or program operation. After Erase/Program Suspend, the SUS bit in the Status Register is set from 0 to 1 immediately and The BUSY bit in the Status Register is cleared from 1 to 0 within “ $t_{SUS}$ ”. For a previously resumed Erase/Program operation, it is also required that the Suspend instruction “75h” is not issued earlier than a minimum of time of “ $t_{SUS}$ ” following the preceding Resume instruction “7Ah”.

Unexpected power off during the Erase/Program suspend state will reset the device and release the suspend state. The SUS bit in the Status Register is also reset to 0. The data within the page, or block that was being suspended may become corrupted. It is recommended for the user to implement system design techniques against the accidental power interruption and preserve data integrity during erase/program suspend state. (Please refer to [Figure 7-33](#) and [Figure 7-34](#)).

**Figure 7-33. Erase Suspend Instruction (SPI Mode)**

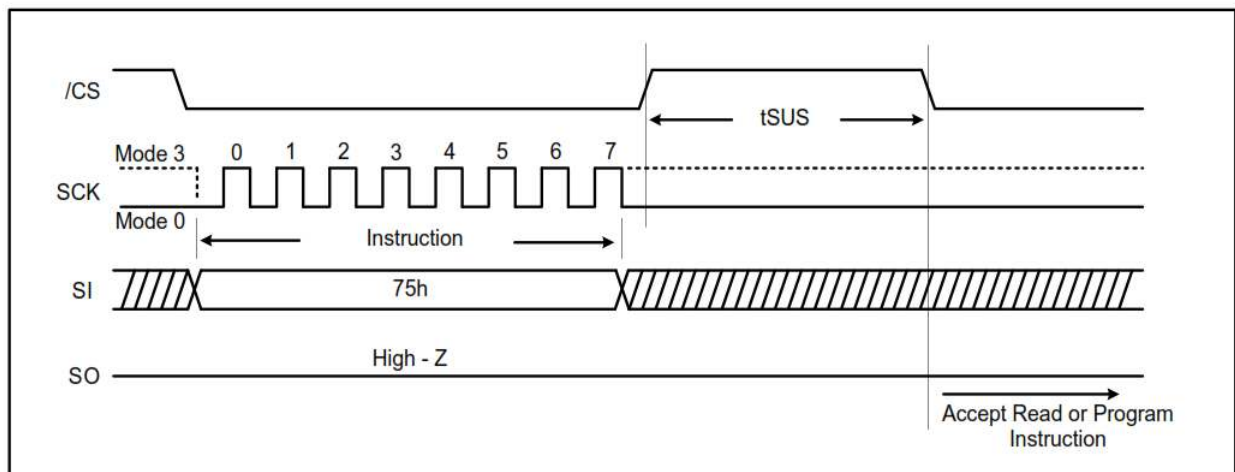
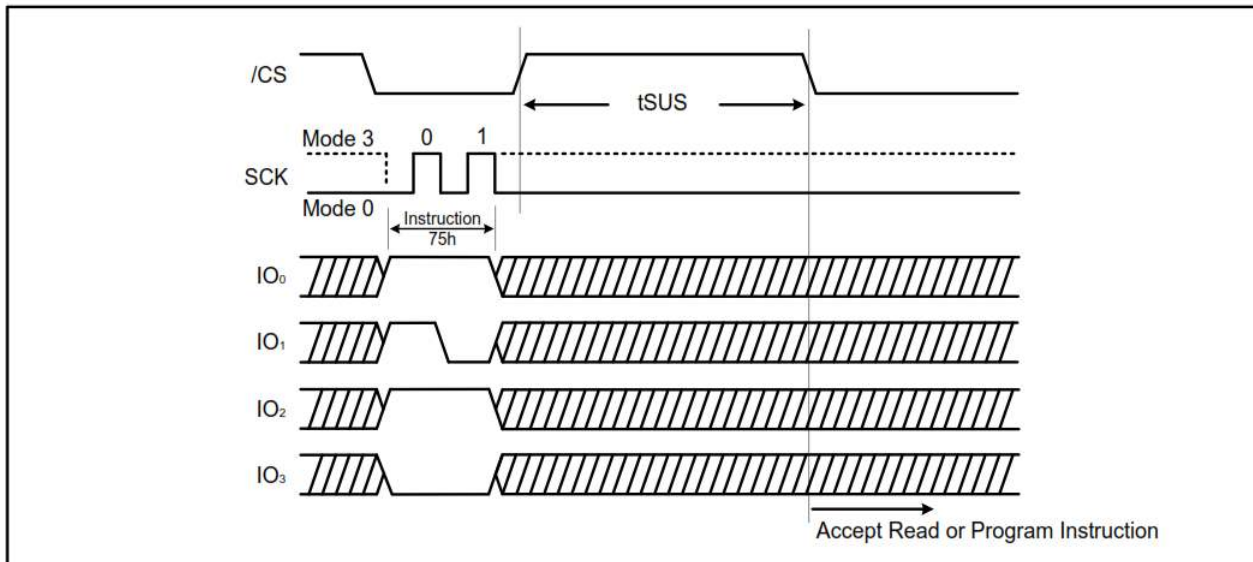


Figure 7-34. Erase Suspend Instruction (QPI Mode)



## 7.22 Erase / Program Resume (7Ah)

The Erase/Program Resume instruction “7Ah” is to restart the Block Erase operation or the Page Program operation upon an Erase/Program Suspend. The Resume instruction “7Ah” is accepted by the device only if the SUS bit in the Status Register equals to 1 and the BUSY bit equals 0. After being issued, the SUS bit is cleared from 1 to 0 immediately, the BUSY bit is set from 0 to 1 within 200 ns and the block completes the erase operation or the page completes the program operation. If the SUS bit equals to 0 or the BUSY bit equals to 1, the Resume instruction “7Ah” is ignored by the device.

Resume instruction cannot be accepted if the previous Erase/Program Suspend operation was interrupted by unexpected power off. It is also required that a subsequent Erase/Program Suspend instruction not to be issued within a minimum of time of “t<sub>SUS</sub>” following a previous Resume instruction. (Please refer to [Figure 7-35](#) and [Figure 7-36](#)).

Figure 7-35. Erase / Program Resume Instruction (SPI Mode)

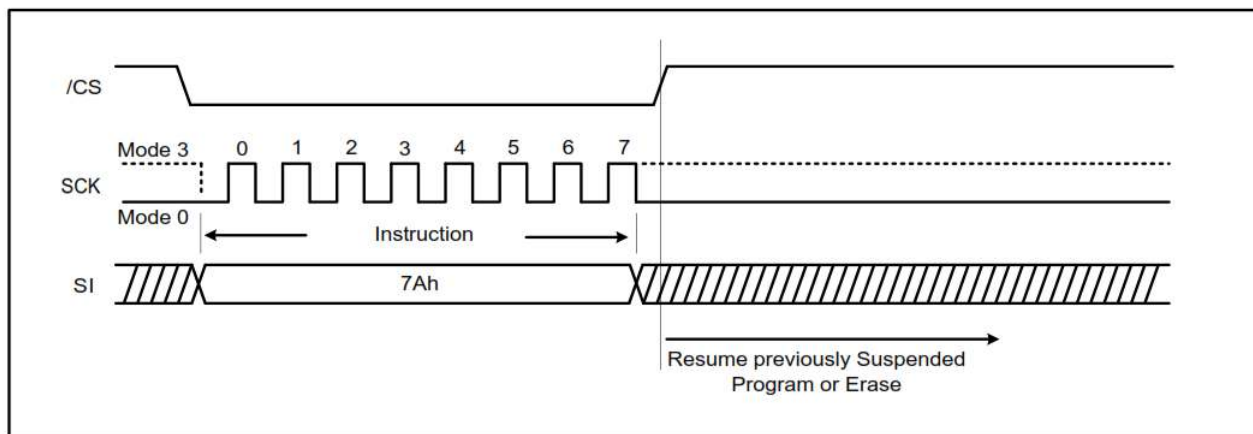
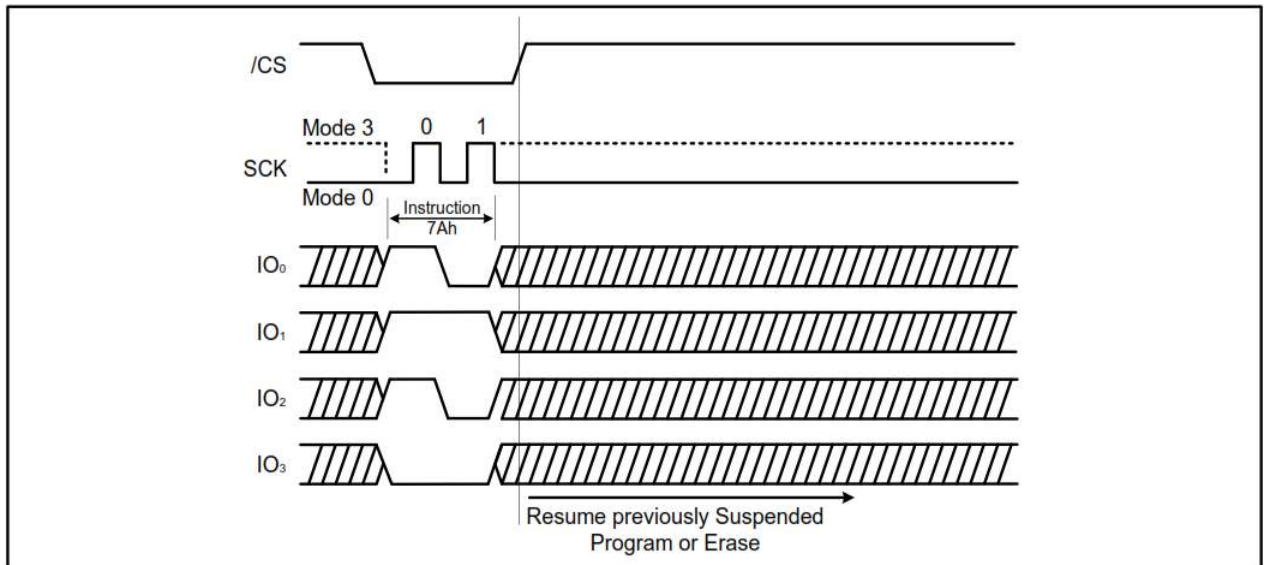




Figure 7-36. Erase / Program Resume Instruction (QPI Mode)



### 7.23 Deep Power Down (B9h)

Executing the Deep Power Down instruction is the best way to put the device in the lowest power consumption. The Deep Power Down instruction reduces the standby current from  $I_{CC1}$  to  $I_{CC2}$  as defined in [Section 8.6, AC Electrical Characteristics](#). The instruction is entered by driving the  $\overline{CS}$  pin low with following the instruction code “B9h”. (Please refer to [Figure 7-37](#) and [Figure 7-38](#)).

The  $\overline{CS}$  pin must go high exactly at the byte boundary (the latest eighth bit of instruction code been latched-in); otherwise, the Deep Power Down instruction is not executed. After  $\overline{CS}$  goes high, it requires a delay of  $t_{DP}$  and the Deep Power Down mode is entered. While in the Release Deep Power Down / Device ID instruction, which restores the device to normal operation, will be recognized. All other instructions are ignored including the Read Status Register instruction, which is always available during normal operation. Deep Power Down Mode automatically stops at Power-Down, and the device always Power-up in the Standby Mode.

Figure 7-37. Deep Power Down Instruction (SPI Mode)

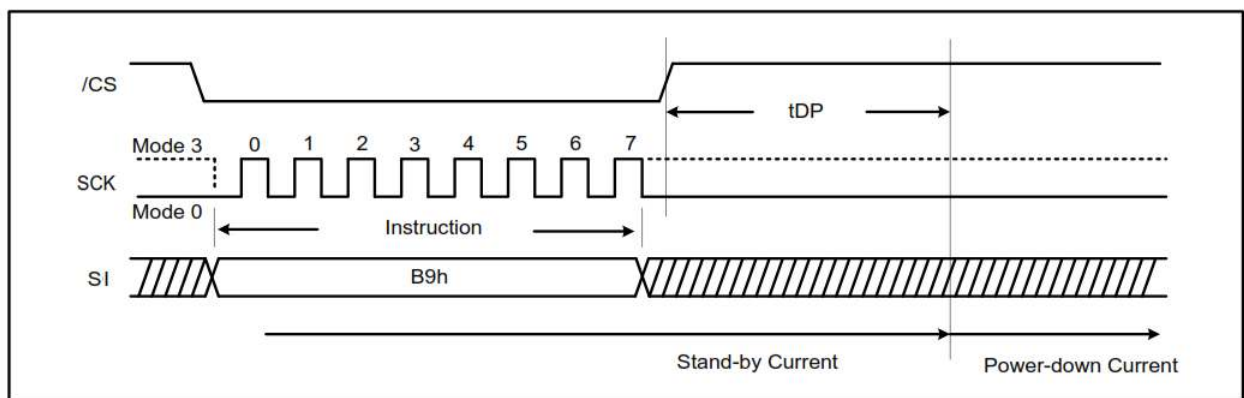
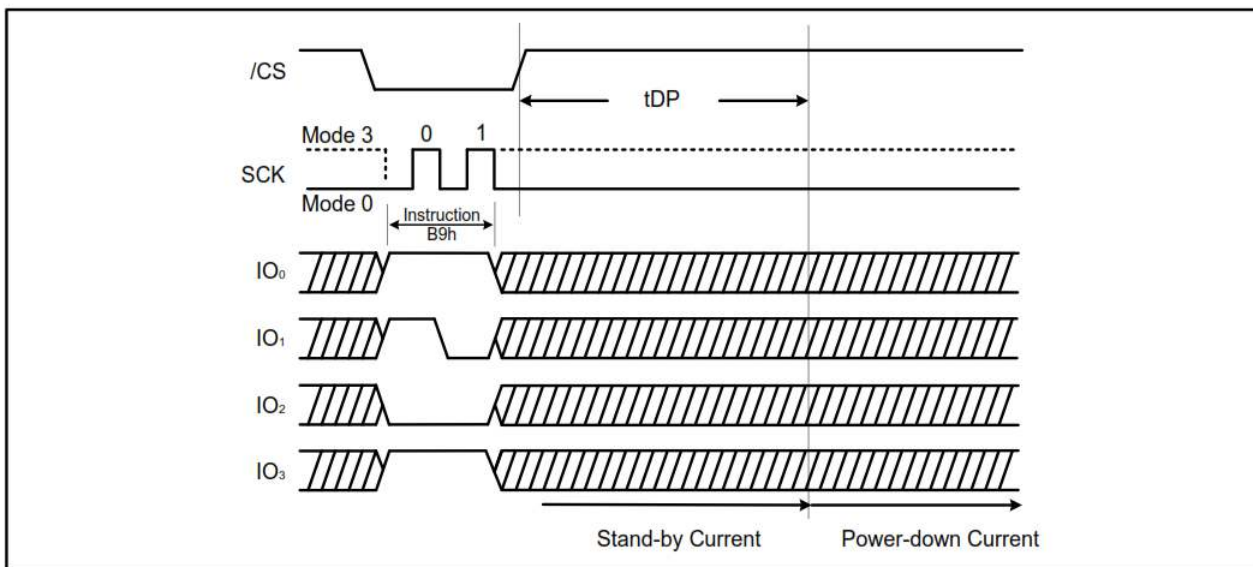


Figure 7-38. Deep Power Down Instruction (QPI Mode)



## 7.24 Release Deep Power Down / Device ID (ABh)

The Release Deep Power Down / Device ID instruction is a multi-purpose instruction. It can be used to release the device from the Deep Power Down state or obtain the device identification (ID).

The instruction is issued by driving the  $\overline{CS}$  pin low, sending the instruction code “ABh” and driving  $\overline{CS}$  high as shown in figure Figure 7-39 and Figure 7-40. Release from Deep Power Down require the time duration of  $t_{RES}$  as defined in Section 8.6, AC Electrical Characteristics for re-work of a normal operation and accepting other instructions. The  $\overline{CS}$  pin must keep high during the  $t_{RES1}$  time duration.

The Device ID can be read during SPI mode only. In other words, Device ID feature is not available in QPI mode for Release Deep Power Down/Device ID instruction. To obtain the Device ID in SPI mode, instruction is initiated by driving the  $\overline{CS}$  pin low and sending the instruction code “ABh” with following 3-dummy bytes. The Device ID bits are then shifted on the falling edge of SCK with most significant bit (MSB) first as shown in Figure 7-41. After  $\overline{CS}$  is driven high it must keep high for a time duration of  $t_{RES2}$  as defined in Section 8.6, AC Electrical Characteristics. The Device ID can be read continuously. The instruction is completed by driving  $\overline{CS}$  high.

If the Release from Deep Power Down /Device ID instruction is issued while an Erase, Program or Write cycle is in process (when BUSY equals 1) the instruction is ignored and does not have any effects on the current cycle.

Figure 7-39. Release Power Down Instruction (SPI Mode)

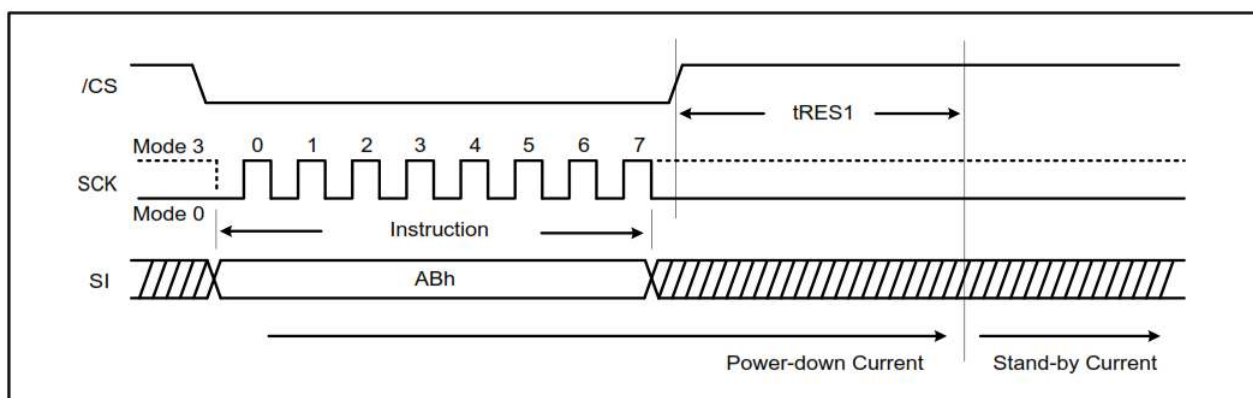




Figure 7-40. Release Power Down Instruction (QPI Mode)

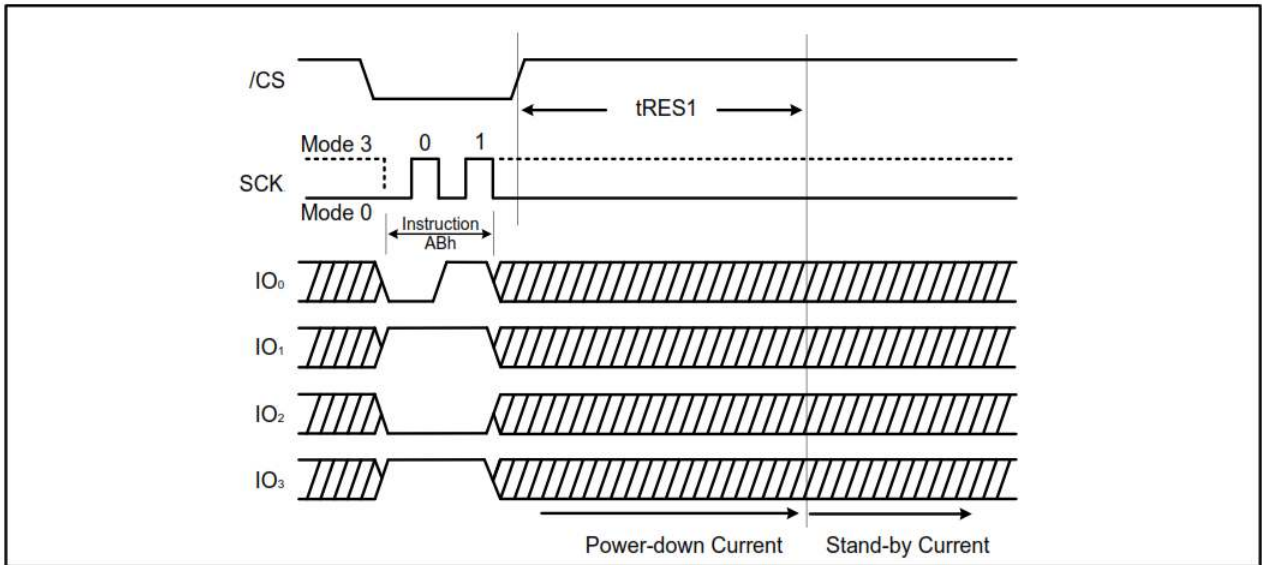
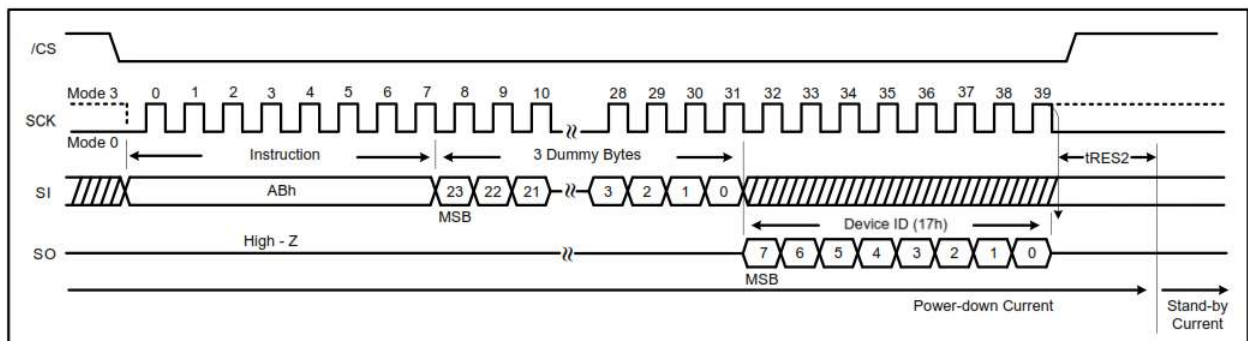


Figure 7-41. Release Power Down / Device ID Instruction (SPI Mode)



## 7.25 Read Manufacturer / Device ID Dual I/O (90h)

The Read Manufacturer/ Device ID Dual I/O instruction provides both the JEDEC assigned manufacturer ID and the specific device ID.

The Read Manufacturer/ Device ID instruction is very similar to the Fast Read Dual I/O instruction. The instruction is initiated by driving the  $\overline{CS}$  pin low and shifting the instruction code "90h" followed by a 24-bit address (A23-A0) of 000000h. After which, the Manufacturer ID for Adesto (1Fh) and the Device ID (17h) are shifted out on the falling edge of SCK with most significant bit (MSB) first as shown in Figure 7-42 and Figure 7-43. If the 24-bit address is initially set to 000001h the Device ID is read first and then followed by the Manufacturer ID. The Manufacturer and Device ID can be read continuously, alternating from one to the other. The instruction is completed by driving CS high.

Figure 7-42. Read Manufacturer / Device ID Instruction (SPI Mode)

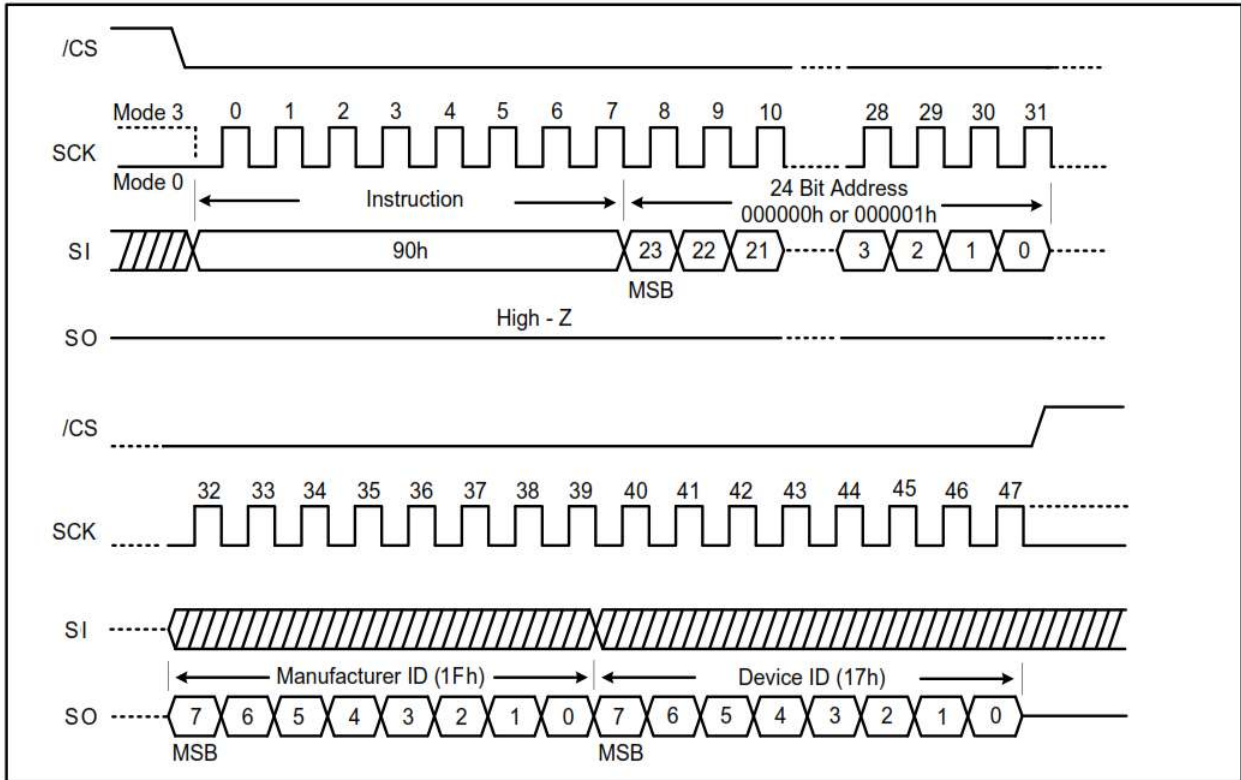
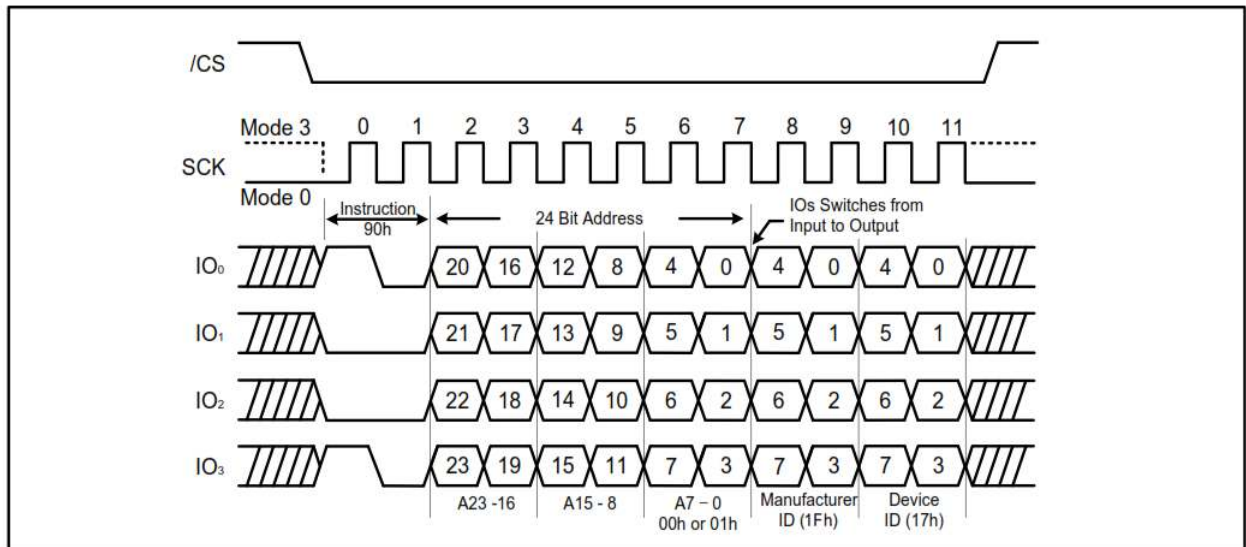


Figure 7-43. Read Manufacturer / Device ID Instruction (QPI Mode)

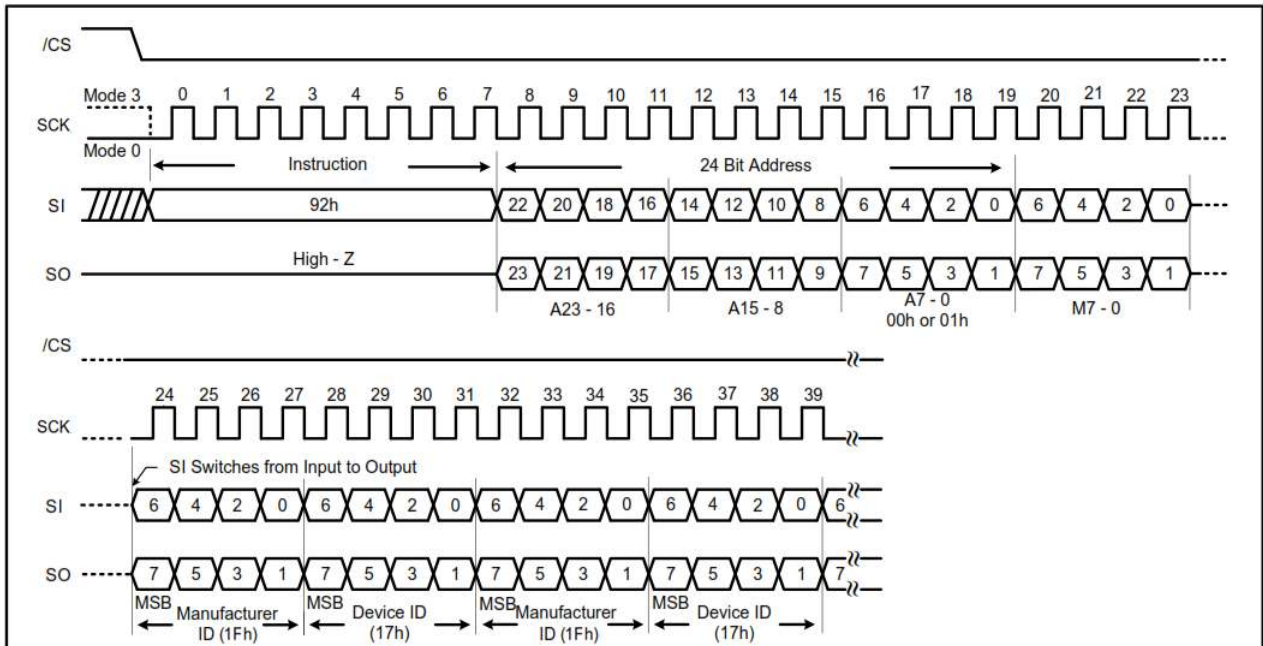


## 7.26 Read Manufacturer / Device ID Dual I/O (92h)

The Read Manufacturer/ Device ID Dual I/O instruction provides both the JEDEC assigned manufacturer ID and the specific device ID.

The Read Manufacturer/ Device ID instruction is very similar to the Fast Read Dual I/O instruction. The instruction is initiated by driving the  $\overline{CS}$  pin low and shifting the instruction code “92h” followed by a 24-bit address (A23-A0) of 000000h. After which, the Manufacturer ID for Adesto (1Fh) and the Device ID (17h) are shifted out on the falling edge of SCK with most significant bit (MSB) first as shown in Figure 7-44. If the 24-bit address is initially set to 000001h the Device ID is read first and then followed by the Manufacturer ID. The Manufacturer and Device ID can be read continuously, alternating from one to the other. The instruction is completed by driving  $\overline{CS}$  high.

Figure 7-44. Read Dual Manufacturer / Device ID Dual I/O Instruction (SPI Mode)

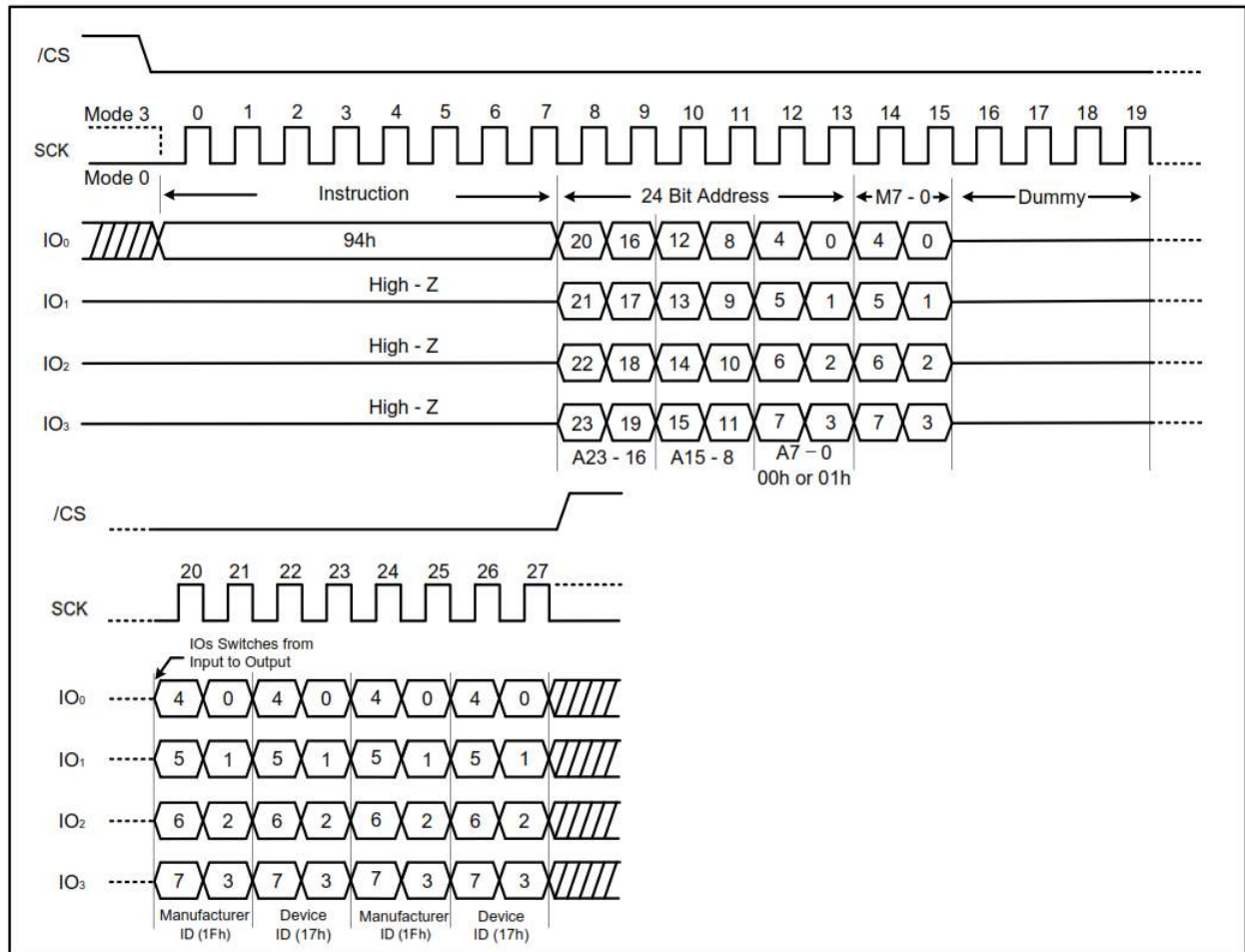


## 7.27 Read Manufacturer / Device ID Quad I/O (94h)

The Read Manufacturer/ Device ID Quad I/O instruction provides both the JEDEC assigned manufacturer ID and the specific device ID.

The Read Manufacturer/ Device ID instruction is very similar to the Fast Read Quad I/O instruction. The instruction is initiated by driving the  $\overline{CS}$  pin low and shifting the instruction code “94h” followed by a 24-bit address (A23-A0) of 000000h. After which, the Manufacturer ID for Adesto (1Fh) and the Device ID(17h) are shifted out on the falling edge of SCK with most significant bit (MSB) first as shown in Figure 7-45. If the 24-bit address is initially set to 000001h the Device ID is read first and then followed by the Manufacturer ID. The Manufacturer and Device ID can be read continuously, alternating from one to the other. The instruction is completed by driving  $\overline{CS}$  high.

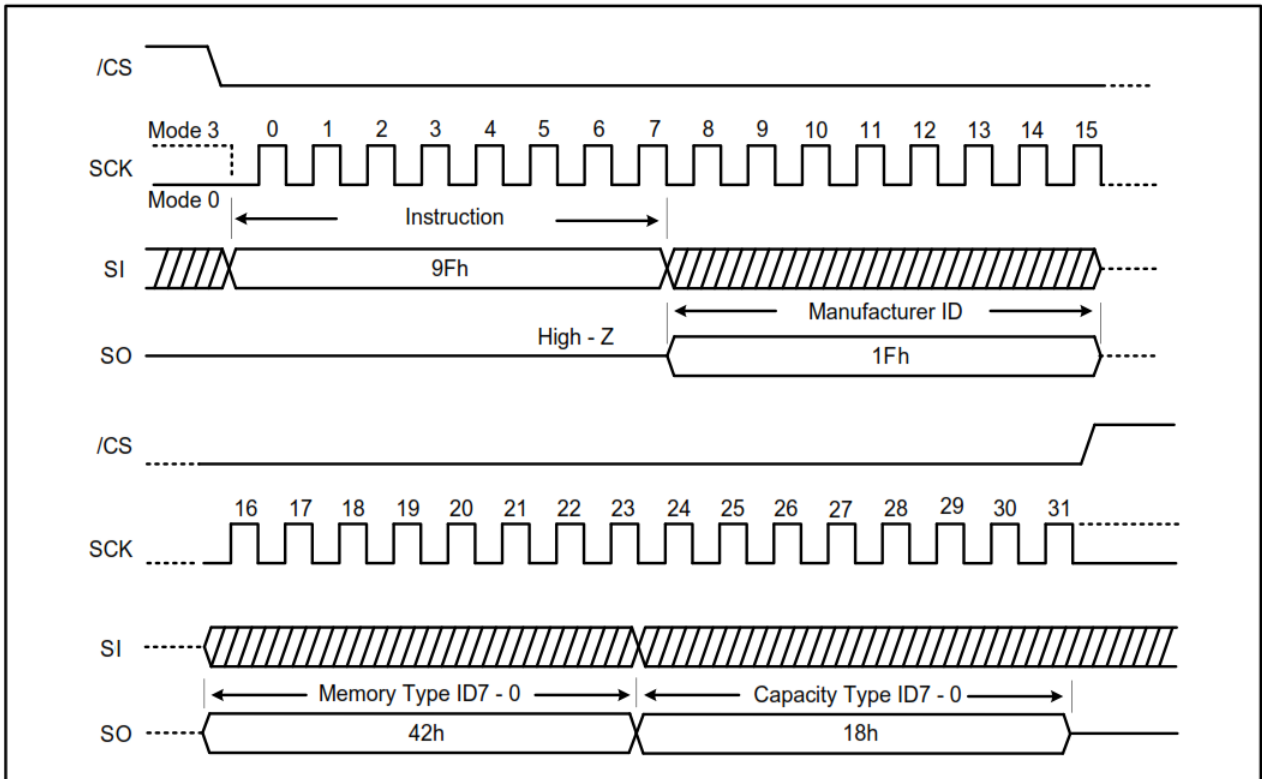
Figure 7-45. Read Quad Manufacturer / Device ID Quad I/O Instruction (SPI Mode)



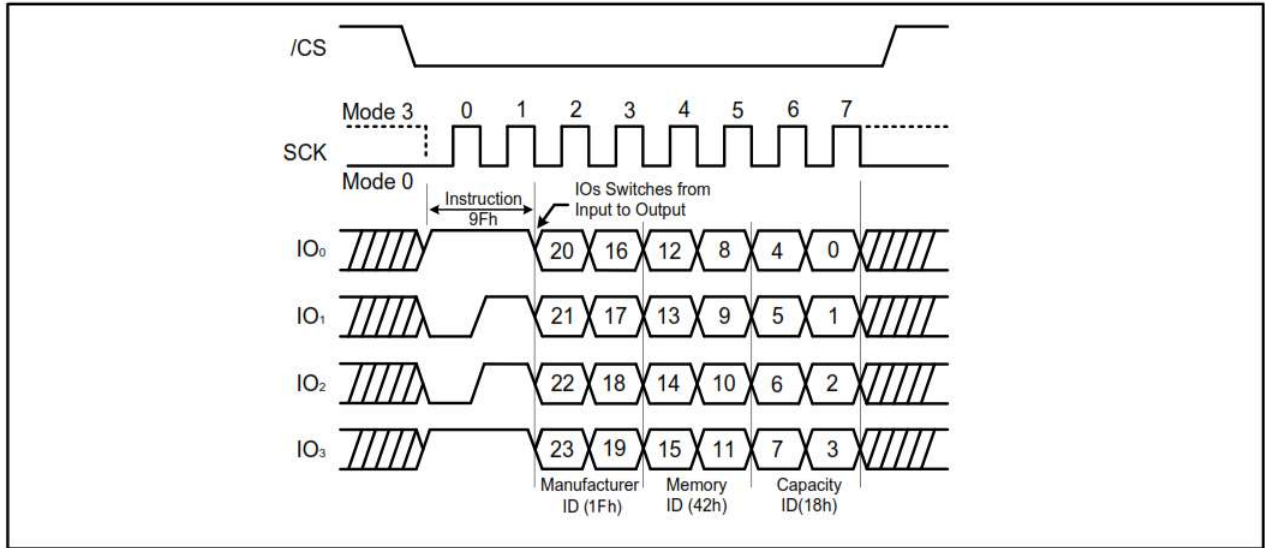
## 7.28 JEDEC ID (9Fh)

For compatibility reasons, the AT25QL128A provides several instructions to electronically determine the identity of the device. The Read JEDEC ID instruction is congruous with the JEDEC standard for SPI compatible serial Flash memories that was adopted in 2003. The instruction is entered by driving the  $\overline{CS}$  pin low with following the instruction code “9Fh”. JEDEC assigned Manufacturer ID byte for Adesto (1Fh) and two Device ID bytes, Memory Type (ID15-ID8) and Capacity (ID7-ID0) are then shifted out on the falling edge of SCK with most significant bit (MSB) first shown in [Figure 7-46](#) and [Figure 7-47](#). For memory type and capacity values refer to Manufacturer and Device Identification table. The JEDEC ID can be read continuously. The instruction is terminated by driving  $\overline{CS}$  high.

**Figure 7-46. Read JEDEC ID Instruction (SPI Mode)**



**Figure 7-47. Read JEDEC ID Instruction (QPI Mode)**



## 7.29 Enable QPI (38h)

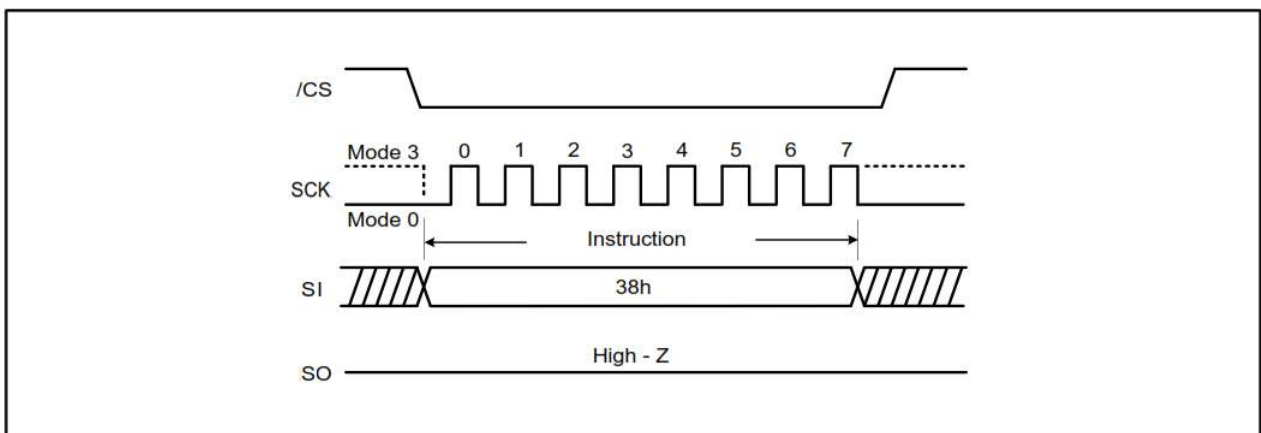
The AT25QL128A support both Standard/Dual/Quad Serial Peripheral interface (SPI) and Quad Peripheral Interface (QPI). However, SPI mode and QPI mode cannot be used at the same time. Enable QPI instruction is the only way to switch the device from SPI mode to QPI mode.

In order to switch the device to QPI mode, the Quad Enable (QE) bit in Status Register 2 must be set to 1 first, and an Enable QPI instruction must be issued. If the Quad Enable (QE) bit is 0, the Enable QPI instruction will be ignored and the device remains in SPI mode.

After power-up, the default state of the device is SPI mode. See the instruction Set [Table 7.1](#) for all the commands supported in SPI mode and the instruction Set [Table 7-5](#) for all the instructions supported in QPI mode.

When the device is switched from SPI mode to QPI mode, the existing Write Enable and Program/Erase Suspend status, and the Wrap Length setting remains unchanged.

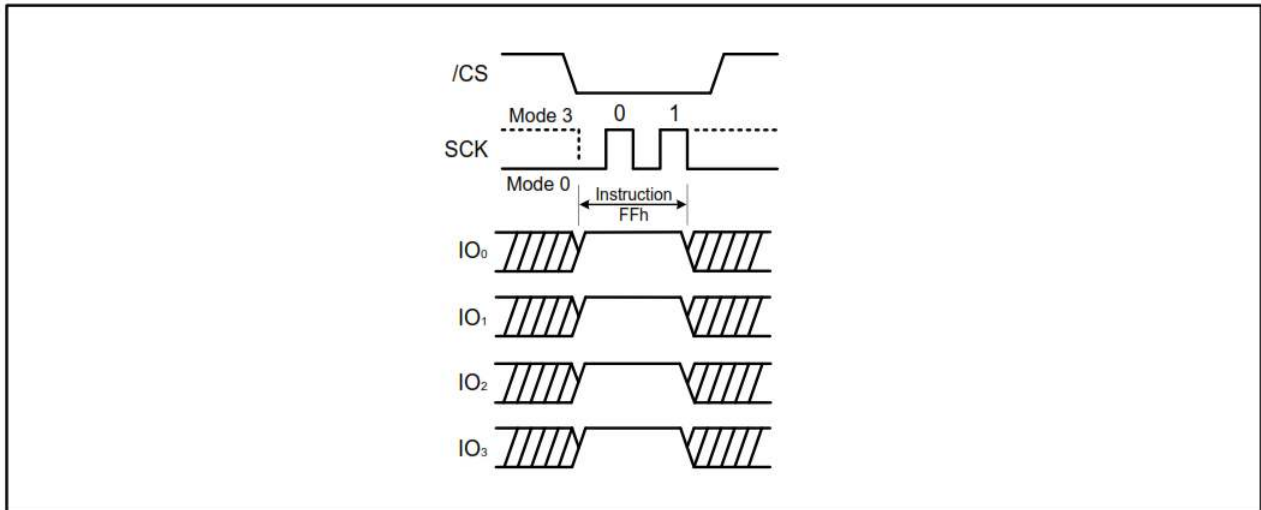
**Figure 7-48. Enable QPI Instruction (SPI Mode only)**



### 7.30 Disable QPI (FFh)

By issuing Disable QPI (FFh) instruction, the device is reset SPI mode. When the device is switched from QPI mode to SPI mode, the existing Write Enable Latch (WEL) and Program/Erase Suspend status, and the Wrap Length setting remains unchanged.

Figure 7-49. Disable QPI Instruction for QPI mode



### 7.31 Word Read Quad I/O (E7h)

The Quad I/O dramatically reduces instruction overhead allowing faster random access for code execution (XiP) directly from the Quad SPI. The Quad Enable bit (QE) of Status Register-2 must be set to enable the Word Read Quad I/O instruction. The lowest Address bit (A0) must equal 0 and only two dummy clocks are required prior to the data output.

#### Continuous Read Mode

The Word Read Quad I/O instruction can further reduce instruction overhead through setting the “Continuous Read Mode” bits (M7-0) after the input Address bits (A23-0), as shown in Figure 7-50. The upper nibble of the (M7-4) controls the length of the next Word Read Quad I/O instruction through the inclusion or exclusion of the first byte instruction code. The lower nibble bits of the (M[3:0]) are don't care (“X”). However, the IO pins should be high-impedance prior to the falling edge of the first data out clock.

If the “Continuous Read Mode” bits  $M[7:4] = Ah$ , then the next Fast Read Quad I/O instruction (after  $\overline{CS}$  is raised and then lowered) does not require the E7h instruction code, as shown in Figure 7-51. This reduces the instruction sequence by eight clocks and allows the Read address to be immediately entered after  $\overline{CS}$  is asserted low. If the “Continuous Read Mode” bits  $M[7:4]$  do not equal to Ah (1,0,1,0) the next instruction (after  $\overline{CS}$  is raised and then lowered) requires the first byte instruction code, thus returning to normal operation.



Figure 7-50. Word Read Quad I/O Instruction (Initial instruction or previous set M7-0 ≠ Axh, SPI Mode)

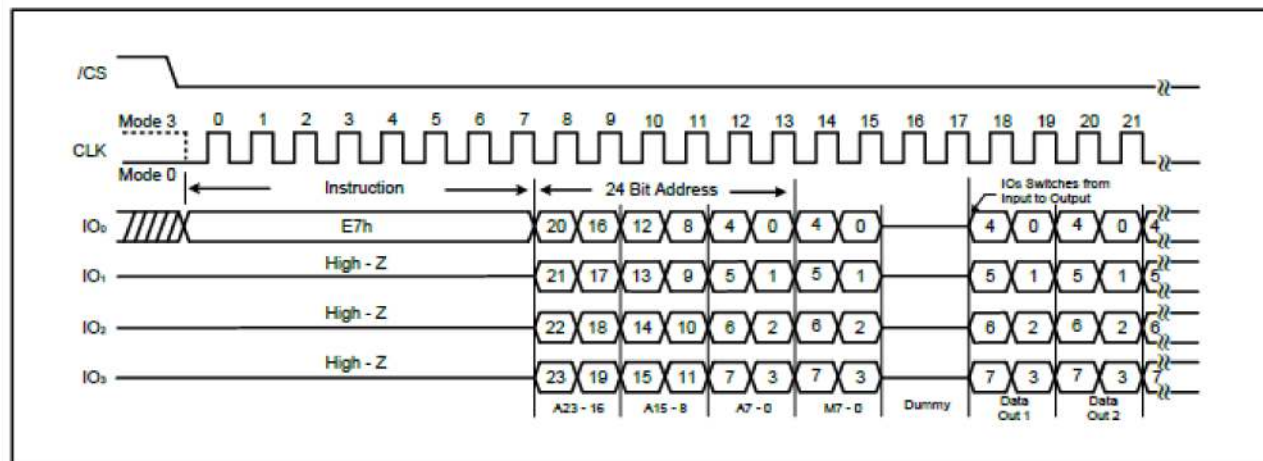
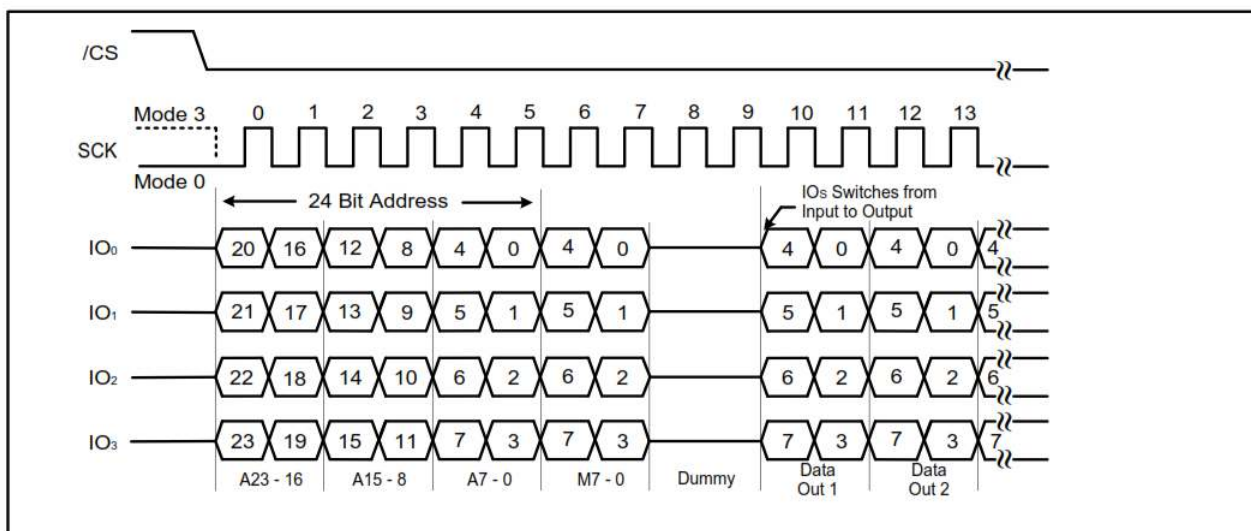


Figure 7-51. Word Read Quad I/O Instruction (Previous instruction set M7-0= Axh, SPI Mode)



### Wrap Around in SPI mode

The Word Read Quad I/O instruction can also be used to access a specific portion within a page by issuing a “Set Burst with Wrap” (77h) instruction prior to E7h. The “Set Burst with Wrap” (77h) instruction can either enable or disable the “Wrap Around” feature for the following E7h commands. When “Wrap Around” is enabled, the output data starts at the initial address specified in the instruction, once it reaches the ending boundary of the 8/16/32/64-byte section, the output will wrap around to the beginning boundary automatically until CS is pulled high to terminate the instruction.

The Burst with Wrap feature allows applications that use cache to quickly fetch a critical address and then fill the cache afterwards within a fixed length (8/16/32/64-byte) of data without issuing read instructions.

The “Set Burst with Wrap” instruction allows three “Wrap Bits”, W6-4 to be set. The W4 bit is used to enable or disable the “Wrap Around” operation while W6-5 is used to specify the length of the wrap around section within a page.

## 7.32 Set Burst with Wrap (77h)

The Set Burst with Wrap (77h) instruction is used in conjunction with “Fast Read Quad I/O” and “Word Read Quad I/O” instructions to access a fixed length of 8/16/32/64-byte section within a 256-byte page. Certain applications can benefit from this feature and improve the overall system code execution performance. Before the device will accept the Set Burst with Wrap instruction, a Quad enable of Status Register-2 must be executed (Status Register bit QE must equal 1).

The Set Burst with Wrap instruction is initiated by driving the  $\overline{CS}$  pin low and then shifting the instruction code “77h” followed by 24 dummy bits and 8 “Wrap Bits”, W7-0. The instruction sequence is shown in Set Burst with Wrap Instruction Sequence. Wrap bit W7 and W3-0 are not used.

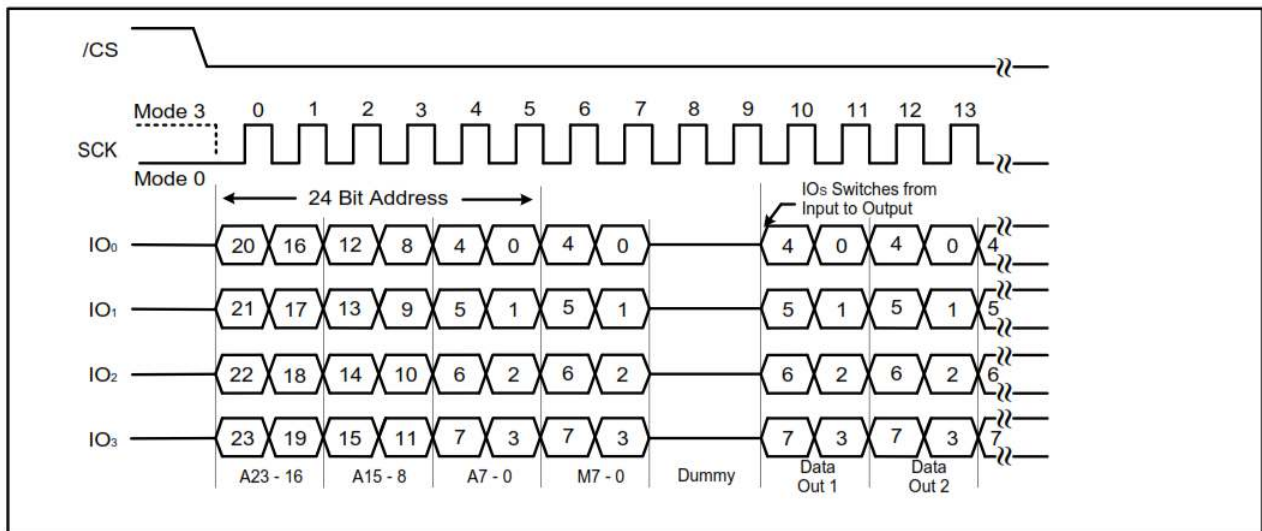
**Table 7-6. Encoding of W6:W4 Burst Wrap Bits**

W6, W5	W4 = 0		W4 = 1(Default)	
	Wrap Around	Wrap Length	Wrap Around	Wrap Length
00	Yes	8-byte	No	N/A
01	Yes	16-byte	No	N/A
10	Yes	32-byte	No	N/A
11	Yes	64-byte	No	N/A

Once the W6-W4 bits are set by a Set Burst with Wrap instruction, all of the following “Fast Read Quad I/O” and Word Read Quad I/O instructions use the W6-W4 setting to access a 8/16/32/64-byte section within any page.

To exit the “Wrap Around” function and return to normal read operation, another Set Burst with Wrap instruction should be issued to set W4 = 1. The default value of W4 upon power on is 1. In the case of a system Reset while W4 = 0, it is recommended that the controller issues a Set Burst with Wrap instruction or Reset (99h) instruction to reset W4 = 1 prior to any normal Read instructions since AT25QL128A does not have a hardware Reset Pin.

**Figure 7-52. Set Burst with Wrap Instruction Sequence**



### 7.33 Burst Read with Wrap (0Ch)

The “Burst Read with Wrap (0Ch)” instruction provides an alternative way to perform the read operation with “Wrap Around” in QPI mode. The instruction is similar to the “Fast Read (0Bh)” instruction in QPI mode, except the addressing of the read operation will “Wrap Around” to the beginning boundary of the “Wrap Length” once the ending boundary is reached.

The “Wrap Length” and the number of dummy of clocks can be configured by the “Set Read Parameters (C0h)” instruction.

Figure 7-53. Burst Read with Wrap Instruction (QPI Mode, 80MHz)

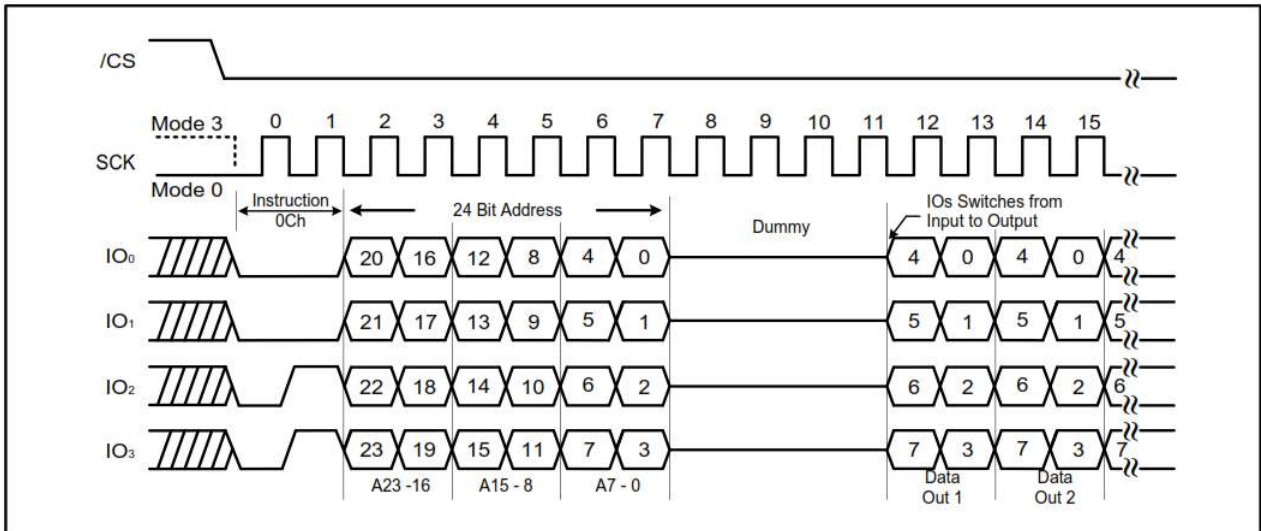
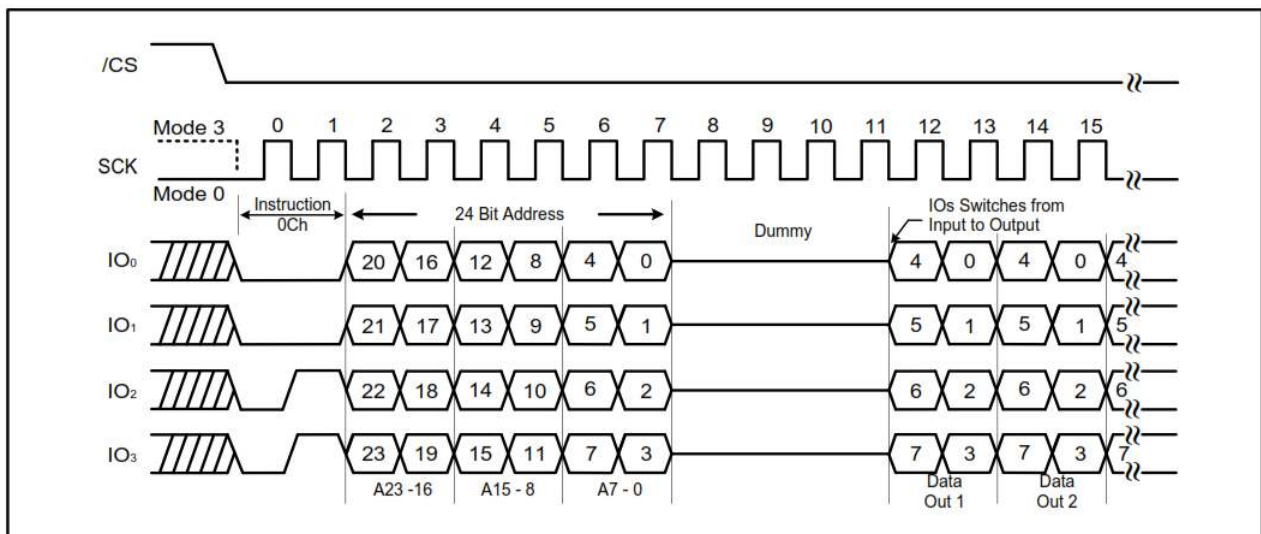


Figure 7-54. Burst Read with Wrap instruction (QPI Mode, 133MHz)



### 7.34 Set Read Parameters (C0h)

In QPI mode, to accommodate a wide range of applications with different needs for either maximum read frequency or minimum data access latency, the “Set Read Parameters (C0h)” instruction can be used to configure the number of dummy clocks for “Fast Read (0Bh)”, “Fast Read Quad I/O (EBh)” & “Burst Read with Wrap (0Ch)” instructions, and to configure the number of bytes of “Wrap Length” for the “Burst Read with Wrap (0Ch)” instruction.

In Standard SPI mode, the “Set Read Parameters (C0h)” instruction is not accepted. The dummy clocks for various Fast Read instructions in Standard/Dual/Quad SPI mode are fixed, please refer to the instruction. and for details [Table 7.1](#), [Table 7-3](#), [Table 7-4](#), and [Table 7-5](#). The “Wrap Length” is set by W6-5 bit in the “Set Burst with Wrap (77h)” instruction. This setting will remain unchanged when the device is switched from Standard SPI mode to QPI mode.

The default “Wrap Length” after a power up or a Reset instruction is 8 bytes, the default number of dummy clocks is 4.

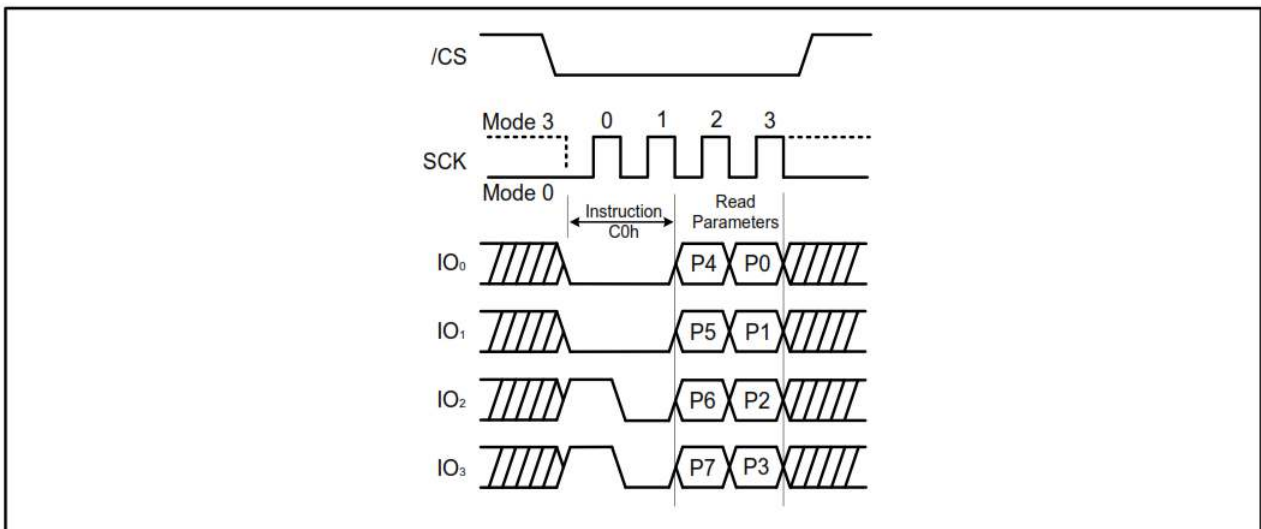
**Table 7-7. Encoding Frequency and Dummy Clock Using P5:P4**

P5, P4	Dummy Clocks	Maximum Read Frequency
00	4	80 MHz
01	4	80 MHz
10	6	104 MHz
11	8	133 MHz

**Table 7-8. Encoding the Wrap Length Using P1:P0**

P1, P0	Wrap Length
00	8-byte
01	16-byte
10	32-byte
11	64-byte

**Figure 7-55. Set Read Parameters Instruction (QPI Mode)**



### 7.35 Enable Reset (66h) and Reset (99h)

For 8-pin packages, the AT25QL128A provide a software Reset instruction instead of a dedicated RESET pin.

Once the Reset instruction is accepted, any on-going internal operations are terminated and the device returns to its default power-on state and loses all the current volatile settings such as Volatile Status Register bits, Write Enable Latch (WEL) status, Program/Erase Suspend status, Continuous Read Mode bit setting, Read parameter setting and Wrap bit settings.

The “Enable Reset (66h)” and “Reset (99h)” instructions can be issued in either SPI mode or QPI mode. To avoid accidental reset, both instructions must be issued in sequence. Any other instructions other than “Reset (99h)” after the “Enable (66h)” instruction disables the “Reset Enable” state. A new sequence of “Enable Reset (66h)” and “Reset (99h)” is needed to reset the device. Once the Reset instruction is accepted by the device takes approximately  $t_{RST} = 30 \mu s$  to reset. During this period, no instruction is accepted.

Data corruption may happen if there is an on-going or suspended internal Erase or Program operation when Reset instruction sequence is accepted by device. It is recommended to check the BUSY bit and the SUS bit in Status Register before issuing the Reset instruction sequence.

Figure 7-56. Enable Reset and Reset Instruction (SPI Mode)

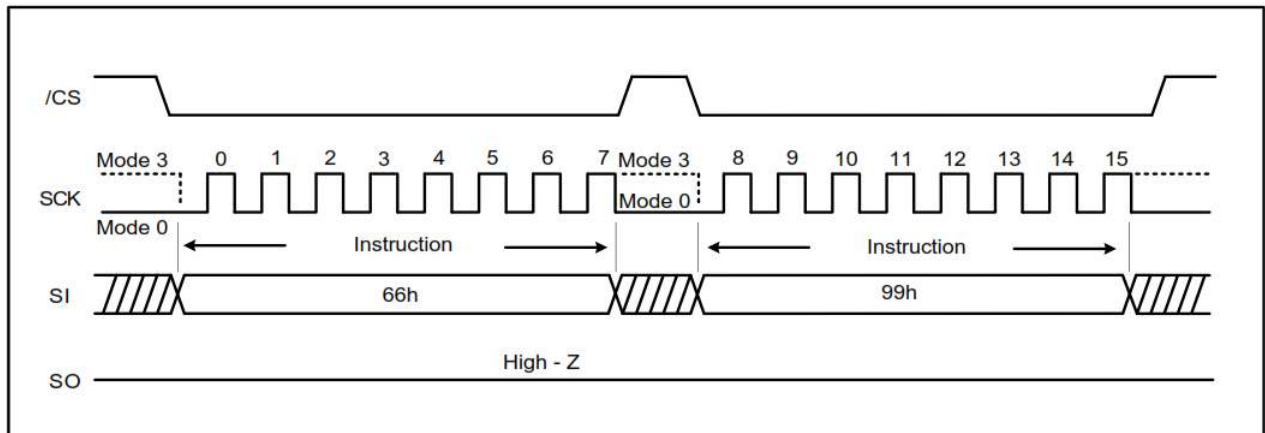
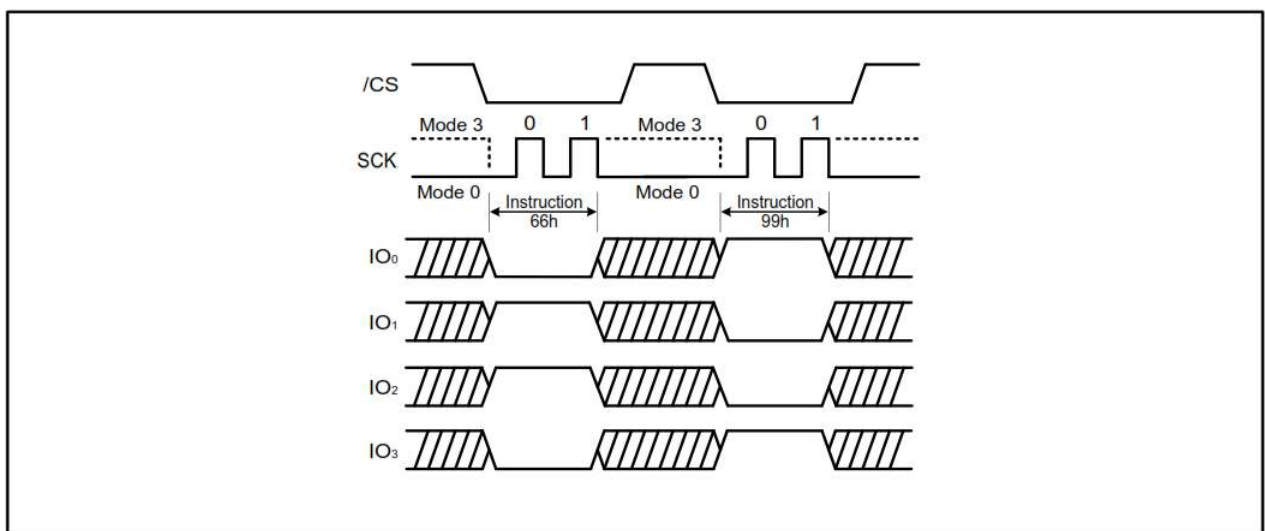


Figure 7-57. Enable Reset and Reset Instruction (QPI Mode)



## 7.36 Read Serial Flash Discovery Parameter (5Ah)

The Read Serial Flash Discovery Parameter (SFDP) instruction allows reading the Serial Flash Discovery Parameter area (SFDP). This area is comprised of 2,048 read-only bytes containing operating characteristics and vendor specific information. The SFDP area is factory programmed. If the SFDP area is blank, the device is shipped with all the SFDP bytes at FFh. If only a portion of the SFDP area is written to, the portion not used is shipped with bytes in erased state (FFh).

The instruction sequence for the read SFDP has the same structure as that of a Fast Read instruction. First, the device is selected by driving Chip Select ( $\overline{CS}$ ) Low. Next, the 8-bit instruction code (5Ah) and the 24-bit address are shifted in, followed by 8 dummy clock cycles. The bytes of SFDP content are shifted out on the Serial Data Output (SO) starting from the specified address. Each bit is shifted out during the falling edge of Serial Clock (SCK). The instruction sequence is shown here. The Read SFDP instruction is terminated by driving Chip Select ( $\overline{CS}$ ) High at any time during data output.

Figure 7-58. Read SFDP Register Instruction

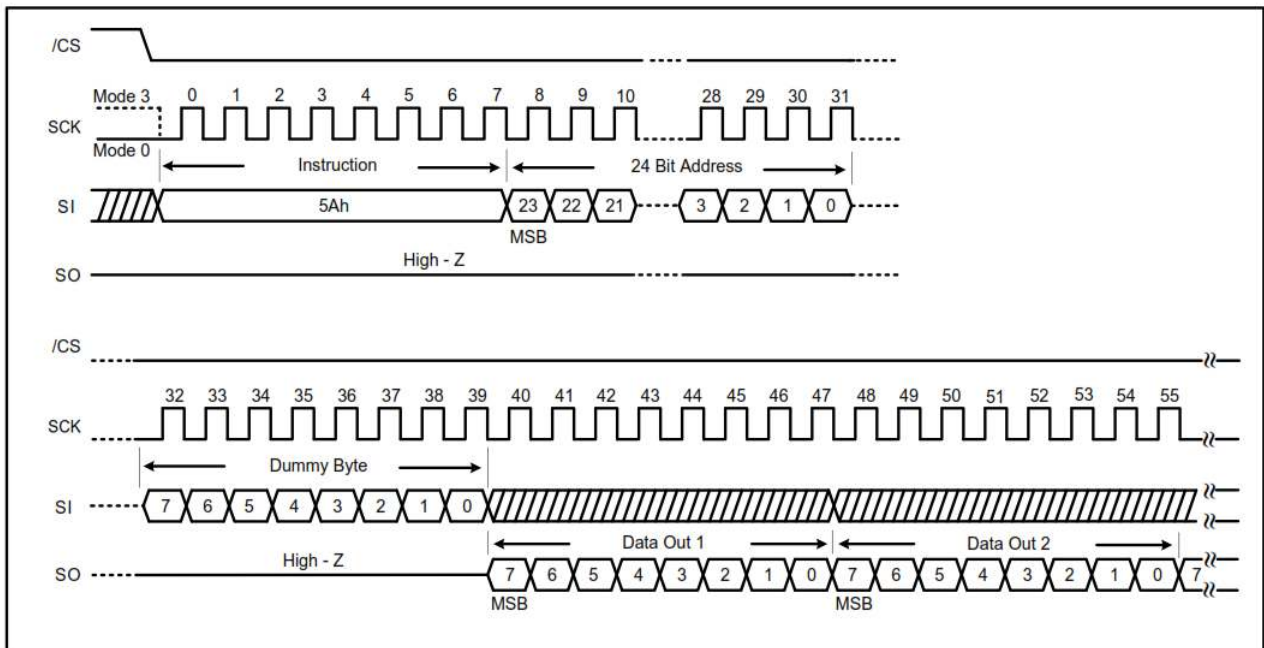


Table 7-9. SFDP Signature and Headers

Description	Comment	Address (h) Byte	Address (Bit)	Data (b) (Bit)	Data (h) (Byte)
SFDP Signature		00h	07:00	0101 0011	53h
		01h	15:08	0100 0110	46h
		02h	23:16	0100 0100	44h
		03h	31:24	0101 0110	50h
SFDP Minor Revision	Start from 00h	04h	07:00	0000 0110	06h
SFDP Major Revision	Start from 01h	05h	15:08	0000 0001	01h
Number of Parameters Headers	Start from 00h	06h	23:16	0000 0001	01h



**Table 7-9. SFDP Signature and Headers**

Description	Comment	Address (h) Byte	Address (Bit)	Data (b) (Bit)	Data (h) (Byte)
Reserved	FFh	07h	31:24	1111 1111	FFh
JEDEC Parameter ID (LSB)	JEDEC Parameter ID (LSB) = 00h	08h	07:00	0000 0000	00h
Parameter Table Minor Revision	Start from 00h	09h	15:08	0000 0110	06h
Parameter Table Major Revision	Start from 01h	0Ah	23:16	0000 0001	01h
Parameter Table Length (double words)	How many DWORDs in the parameter table	0Bh	31:24	0001 0000	10h
Parameter Table Pointer	Address of Adesto Parameter Table	0Ch	07:00	0011 0000	30h
		0Dh	15:08	0000 0000	00h
		0Eh	23:16	0000 0000	00h
JEDEC Parameter ID (MSB)	JEDEC Parameter ID (MSB):FFh	0Fh	31:24	1111 1111	FFh
JEDEC Parameter ID (LSB)	Adesto Manufacturer ID	10h	07:00	0001 1111	1Fh
Parameter Table Minor Revision	Start from 00h	11h	15:08	0000 0000	00h
Parameter Table Major Revision	Start from 01h	12h	23:16	0000 0001	01h
Parameter Table Length (double words)	How many DWORDs in the parameter table	13h	31:24	0000 0010	02h
Parameter Table Pointer (PTP)	Address of Adesto Parameter Table	14h	07:00	1000 0000	80h
		15h	15:08	0000 0000	00h
		16h	23:16	0000 0000	00h
Reserved	FFh	17h	31:24	0000 0001	01h

**Table 7-10. SFDP Parameters Table 1**

Description	Comment	Address (h) Byte	Address (Bit)	Data (b) (Bit)	Data (h) (Byte)
Erase Granularity	01: 4KB available 11: 4KB not available	30h	01:00	01	E5h
Write Granularity	0:1 Byte, 1:64 bytes or larger		02	1	
Volatile Status Register Block Protect Bits	0: Nonvolatile status bit 1: Volatile status bit		03	0	
Volatile Status Register Write Enable Opcode	0:50H Opcode to enable, if bit-3 = 1		04	0	
Reserved			07:05	111	



**Table 7-10. SFDP Parameters Table 1 (Continued)**

Description	Comment	Address (h) Byte	Address (Bit)	Data (b) (Bit)	Data (h) (Byte)
4KB Erase Opcode	Opcode or FFh	31h	15:08	0010 0000	20h
Fast Dual Read Output (1-1-2)	0 = Not supported 1 = Supported	32h	16	1	F1h
Number of Address Bytes	00: 3 Byte only 01: 3 or 4 Byte 10: 4 Byte only 11: Reserved		18:17	00	
Double Transfer Rate (DTR) Clocking	0 = Not supported 1 = Supported		19	0	
Fast Dual I/O Read (1-2-2)	0 = Not supported 1 = Supported		20	1	
Fast Quad I/O Read (1-4-4)	0 = Not supported 1 = Supported		21	1	
Fast Quad Output Read (1-1-4)	0 = Not supported 1 = Supported		22	1	
Reserved	FFh		23	1	
Reserved	FFh		33h	31:24	
Flash Memory Density		34h	07:00	1111 1111	FFh
		35h	15:08	1111 1111	FFh
		36h	23:16	1111 1111	FFh
		37h	31:24	0000 0111	07h
Fast Quad I/O (1-4-4) Number of dummy clocks	Number of dummy clocks	38h	04:00	00100	44h
Fast Quad I/O (1-4-4) Number of mode bits	Number of mode bits		07:05	010	
Fast Quad I/O (1-4-4) Read Opcode	Opcode or FFh	39h	15:08	1110 1011	EBh
Fast Quad Output (1-1-4) Number of dummy clocks	Number of dummy clocks	3Ah	20:16	01000	08h
Fast Quad Output (1-1-4) Number of mode bits	Number of mode bits		23:21	000	
Fast Quad Output (1-1-4) Read Opcode	Opcode or FFh	3Bh	31:24	0110 1011	6Bh
Fast Dual Output (1-1-2) Number of dummy clocks	Number of dummy clocks	3Ch	04:00	01000	08h
Fast Dual Output (1-1-2) Number of mode bits	Number of mode bits		07:05	000	
Fast Dual Output (1-1-2) Read Opcode	Opcode or FFh	3Dh	15:08	0011 1011	3Bh

**Table 7-10. SFDP Parameters Table 1 (Continued)**

Description	Comment	Address (h) Byte	Address (Bit)	Data (b) (Bit)	Data (h) (Byte)
Fast Dual I/O (1-2-2) Number of dummy clocks	Number of dummy clocks	3Eh	20:16	00000	80h
Fast Dual I/O (1-2-2) Number of mode bits	Number of mode bits		23:21	100	
Fast Dual I/O (1-2-2) Read Opcode	Opcode or FFh	3Fh	31:24	1011 1011	BBh
Fast Dual DPI (2-2-2)	0 = Not supported 1 = Supported	40h	0	0	FEh
Reserved	FFh		03:01	111	
Fast Quad QPI (4-4-4)	0 = Not supported 1 = Supported		04	1	
Reserved	FFh		07:05	111	
Reserved	FFh	41h	15:08	1111 1111	FFh
Reserved	FFh	42h	23:16	1111 1111	FFh
Reserved	FFh	43h	31:24	1111 1111	FFh
Reserved	FFh	44h	07:00	1111 1111	FFh
Reserved	FFh	45h	15:08	1111 1111	FFh
Fast Dual DPI (2-2-2) Number of dummy clocks	Number of dummy clocks	46h	20:16	0 0000	00h
Fast Dual DPI (2-2-2) Number of mode bits	Number of mode bits		23:21	000	
Fast Dual DPI(2-2-2) Read Opcode	Opcode or FFh	47h	31:24	1111 1111	FFh
Reserved	FFh	48h	07:00	1111 1111	FFh
Reserved	FFh	49h	15:08	1111 1111	FFh
Fast Quad QPI (4-4-4) Number of dummy clocks	Number of dummy clocks	4Ah	20:16	00010	42h
Fast Quadl QPI (4-4-4) Number of mode bits	Number of mode bits		23:21	010	
Fast Quad QPI(4-4-4) Read Opcode	Opcode or FFh	4Bh	31:24	1110 1011	EBh
Erase type-1 Size	4KB = 2 <sup>0</sup> Ch 32KB = 2 <sup>0</sup> Fh 64KB = 2 <sup>1</sup> 0h; (2 <sup>N</sup> Nbyte)	4Ch	07:00	0000 1100	0Ch
Erase type-1 Opcode	Opcode or FFh	4Dh	15:08	0010 0000	20h
Erase type-2 Size	4KB=2 <sup>0</sup> Ch 32KB = 2 <sup>0</sup> Fh 64KB = 2 <sup>1</sup> 0h; (2 <sup>N</sup> Nbyte)	4Eh	23:16	0000 1111	0Fh
Erase type-2 Opcode	Opcode or FFh	4Fh	31:24	0101 0010	52h

Table 7-10. SFDP Parameters Table 1 (Continued)

Description	Comment	Address (h) Byte	Address (Bit)	Data (b) (Bit)	Data (h) (Byte)
Erase Type-3 Size	4KB = 2 <sup>0</sup> Ch 32KB = 2 <sup>0</sup> Fh 64KB = 2 <sup>1</sup> 0h; (2 <sup>N</sup> byte)	50h	07:00	0001 0000	10h
Erase Type-3 Opcode	Opcode or FFh	51h	15:08	1101 1000	D8h
Erase Type-4 Size	4KB = 2 <sup>0</sup> Ch 32KB = 2 <sup>0</sup> Fh 64KB=2 <sup>1</sup> 0h; (2 <sup>N</sup> byte)	52h	23:16	0000 0000	00h
Erase Type-4 Opcode	Opcode or FFh	53h	31:24	1111 1111	FFh
Erase Maximum/Typical Ratio	Maximum = 2 * (COUNT + 1) * Typical	54h 55h 56h 57h	03:00	0011	33h 62h D5h 00h
Erase type-1 Typical time	Count or 00h		08:04	0 0011	
Erase type-1 Typical units	00b: 1 ms 01b: 16 ms 10b: 128 ms 11b: 1 sec		10:09	01	
Erase type-2 Typical time	Count or 00h		15:11	0110 0	
Erase type-2 Typical units	00b: 1 ms 01b: 16 ms 10b: 128 ms 11b: 1 sec		17:16	01	
Erase type-3 Typical time	Count or 00h		22:18	101 01	
Erase type-3 Typical units	00b: 1 ms 01b: 16 ms 10b: 128 ms 11b: 1 sec		24:23	01	
Erase type-4 Typical time	Count or 00h		29:25	00 000	
Erase type-4 Typical units	00b: 1 ms 01b: 16 ms 10b: 128 ms 11b: 1 sec		31:30	00	
Program Maximum/Typical Ratio	Maximum = 2 * (COUNT + 1) * Typical	58h	03:00	0100	84h
Page Size	2 <sup>N</sup> bytes		07:04	1000	

Table 7-10. SFDP Parameters Table 1 (Continued)

Description	Comment	Address (h) Byte	Address (Bit)	Data (b) (Bit)	Data (h) (Byte)
Program Page Typical time	Count or 00h	59h 5Ah 5Bh	12:08	0 1001	29h 01h CEh
Program Page Typical units	0: 8 $\mu$ s, 1: 64 $\mu$ s		13	1	
Program Byte Typical time, 1st byte	Count or 00h		17:14	01 00	
Program Byte Typical units, 1st byte	0: 1 $\mu$ s, 1: 8 $\mu$ s		18	0	
Program Additional Byte Typical time	Count or 00h		22:19	000 0	
Program Additional Byte Typical units	0: 1 $\mu$ s, 1: 8 $\mu$ s		23	0	
Erase Chip Typical time	Count or 00h		28:24	0 1110	
Erase Chip Typical units	00b: 16 ms 01b: 256 ms 10b: 4 sec 11b: 64 sec		30:29	10	
Reserved	1h		31	1	
Prohibited Op during Program Suspend		5Ch	03:00	11010	ECh
Prohibited Op during Erase Suspend			07:04	1110	
Reserved	1h	5Dh 5Eh 5Fh	08	1	A1h 07h 3Dh
Program Resume to Suspend time	Count of 64 $\mu$ s		12:09	0 000	
Program Suspend Maximum time	Count or 00h		17:13	11 101	
Program Suspend Maximum units	00b: 128ns, 01b: 1 $\mu$ s, 10b: 8 $\mu$ s, 11b: 64 $\mu$ s		19:18	01	
Erase Resume to Suspend time	Count of 64 $\mu$ s		23:20	0000	
Erase Suspend Maximum time	Count or 00h		28:24	1 1101	
Erase Suspend Maximum units	00b: 128 ns, 01b: 1 $\mu$ s, 10b: 8 $\mu$ s, 11b: 64 $\mu$ s		30:29	01	
Suspend / Resume supported	0: Program and Erase suspend supported 1: Not supported		31	0	

**Table 7-10. SFDP Parameters Table 1 (Continued)**

Description	Comment	Address (h) Byte	Address (Bit)	Data (b) (Bit)	Data (h) (Byte)
Program Resume Opcode	Opcode or FFh	60h	7:0	0111 1010	7Ah
Program Suspend Opcode	Opcode or FFh	61h	15:8	0111 0101	75h
Resume Opcode	Opcode or FFh	62h	23:16	0111 1010	7Ah
Suspend Opcode	Opcode or FFh	63h	31:24	0111 0101	75h
Reserved	11b	64h	01:00	11	F7h
Status Register Busy Polling	xxxx1b: Opcode = 05h, bit-0 = 1 Busy, xxxx1xb: Opcode = 70h, bit-7 = 0 Busy, Others: reserved		07:02	1111 01	
Exit Deep Powerdown time	Count or 00h	65h 66h 67h	12:08	0 0010	A2h D5h 5Ch
Exit Deep Powerdown units	00b: 128 ns, 01b: 1 μs, 10b: 8 μs, 11b: 64 μs		14:13	01	
Exit Deep Powerdown Opcode	Opcode or FFh		22:15	101 0101 1	
Enter Deep Powerdown Opcode	Opcode or FFh		30:23	101 1100 1	
Deep Powerdown Supported	0: Deep Powerdown supported 1: Not supported		31	0	
Disable 4-4-4 Read Mode			68h 69h 6Ah	03:00	
Enable 4-4-4 Read Mode		08:04		0 0001	
Fast Quad I/O Continuous (0-4-4) supported	0: Not supported 1: Quad I/O 0-4-4 supported	09		1	
Fast Quad I/O Continuous (0-4-4) Exit		15:10		1111 01	
Fast Quad I/O Continuous (0-4-4) Enter		19:16		1100	
Quad Enable Requirements (QER)		22:20		001	
HOLD or RESET Disable	0: Not supported 1: Use Configuration Register bit-4	23		0	
Reserved	FFh	6Bh		31:24	1111 1111

**Table 7-10. SFDP Parameters Table 1 (Continued)**

Description	Comment	Address (h) Byte	Address (Bit)	Data (b) (Bit)	Data (h) (Byte)
Status Register Opcode		6Ch	06:00	110 1000	E8h
Reserved	1h		07	1	
Soft Reset Opcodes		6Dh	13:08	01 0000	10h C0h
4-Byte Address Exit		6Eh	23:14	1100 0000 00	
4-Byte Address Enter		6Fh	31:24	1000 0000	80h

**Table 7-11. SFDP Parameters Table 2**

**Table 7-12. SFDP Parameters Table 2**

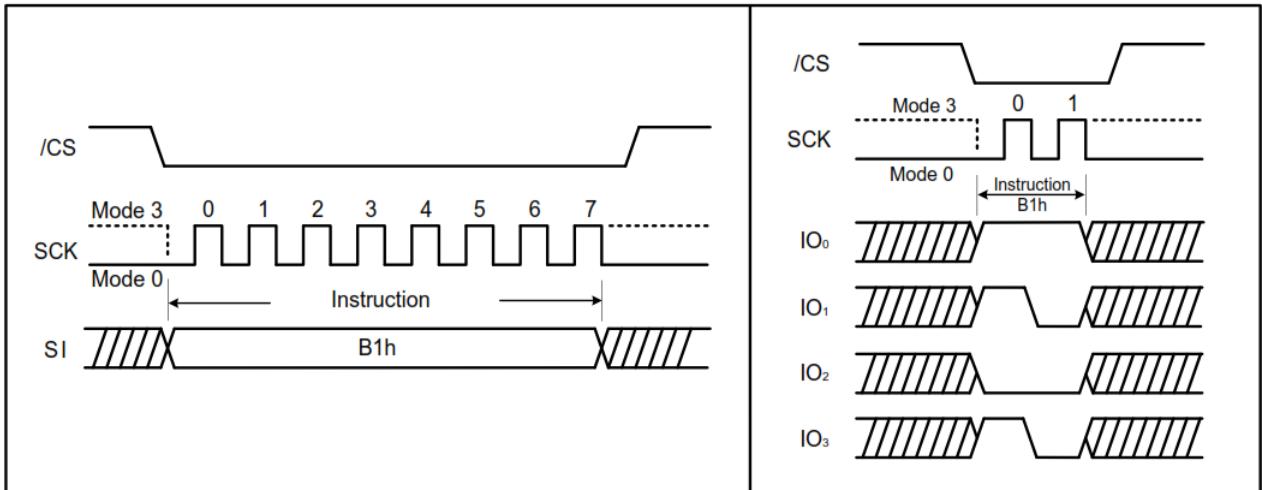
Description	Comment	Address (h) Byte	Address (Bit)	Data (b) (Bit)	Data (h) (Byte)
VCC Minimum Voltage	1650h: 1.65V, 1700h: 1.70V, 2300h: 2.30V, 2500h: 2.50V, 2700h: 2.70V	80h 81h	15:0	0000 0000 0001 0111	00h 17h
VCC Maximum Voltage	1950h: 1.95V, 3600h: 3.60V, 4000h: 4.00V, 4400h: 4.40V	82h 83h	31:16	0000 0000 0010 0000	00h 20h
Array Protection Method	10b: use non-volatile status register	84h 85h	01:00	00	00h 00h
Power up Protection default	0: power up unprotected, 1: power up protected		02	0	
Protection Disable Opcodes	011b: use status register		05:03	00 0	
Protection Enable Opcodes	011b: use status register		08:06	0 00	
Protection Read Opcodes	011b: use status register		11:09	000	
Protection Register Erase Opcode	00b: not supported, 01b: Opcodes 3Dh,2Ah,7Fh,CFh,		13:12	00	
Protection Register Program Opcode	00b: not supported, 01b: Opcodes 3Dh,2Ah,7Fh,FCh		15:14	00	
Reserved	FFh	86h	23:16	1111 1111	FFh
Reserved	FFh	87h	31:24	1111 1111	FFh
Reserved	FFh	88h - FFh			Reserved

### 7.37 Enter Secured OTP (B1h)

The Enter Secured OTP instruction is for entering the additional 4K-bit secured OTP mode. The additional 4K-bit secured OTP is independent from main array, which may be used to store unique serial number for system identifier. After entering the Secured OTP mode, and then follow standard read or program, procedure to read out the data or update data. The Secured OTP data cannot be updated again once it is lock-down

Please note that Write Status Register-1, Write Status Register-2 and Write Security Register instructions are not acceptable during the access of secure OTP region. Once security OTP is lock down, only commands related with read are valid. The Enter Secured OTP instruction sequence is shown in [Figure 7-59](#).

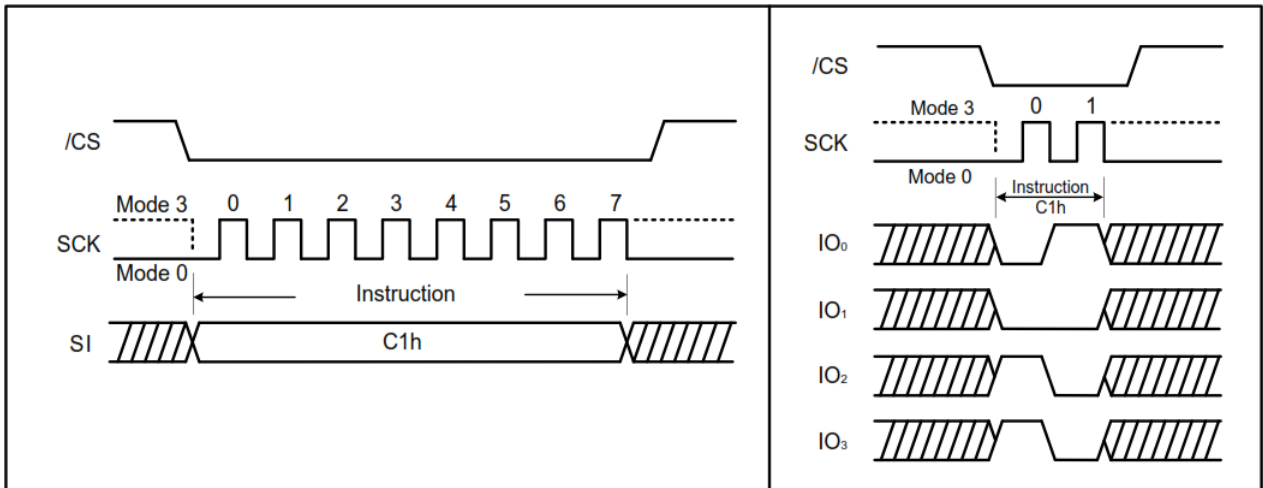
**Figure 7-59. Enter Secured OTP Instruction for SPI Mode (left) and QPI Mode (right)**



### 7.38 Exit Secured OTP (C1h)

The Exit Secured OTP instruction is for exiting the additional 4K-bit secured OTP mode. (Please refer to [Figure 7-60](#)).

**Figure 7-60. Exit Secured OTP Instruction for SPI Mode (left) and QPI Mode (right)**





## 7.39 Read Security Register (2Bh)

The Read Security Register can be read the value of Security Register bits at any time (even in program/erase/write status register-1 and write status register-2 condition) and continuously.

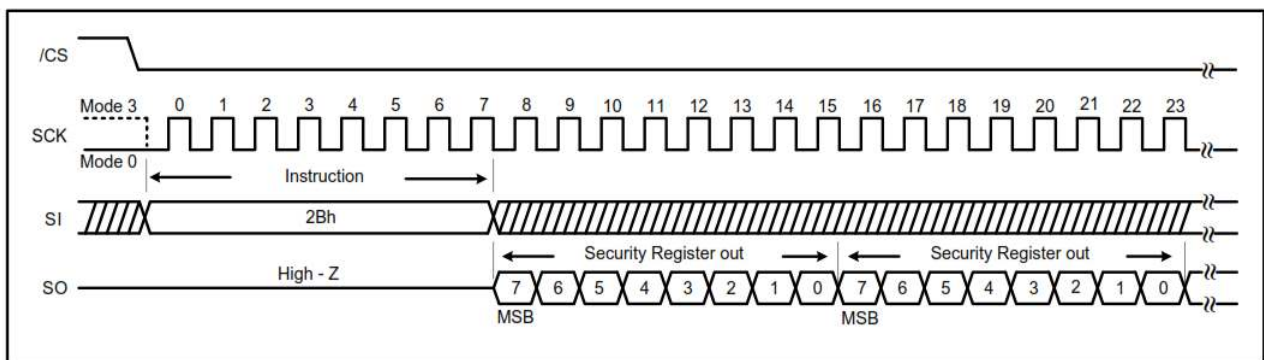
**Secured OTP Indicator bit.** The Secured OTP indicator bit shows the chip is locked by factory before ex-factory or not. When it is “0”, it indicates non-factory lock, “1” indicates factory-lock.

**Lock-down Secured OTP (LDSO) bit.** By writing Write Security Register instruction, the LDSO bit may be set to “1” for customer lock-down purpose. However, once the bit is set to “1” (Lock-down), the LDSO bit and the 4K-bit Secured OTP area cannot be updated any more. While it is in 4K-bit Secured OTP mode, array access is not allowed to write.

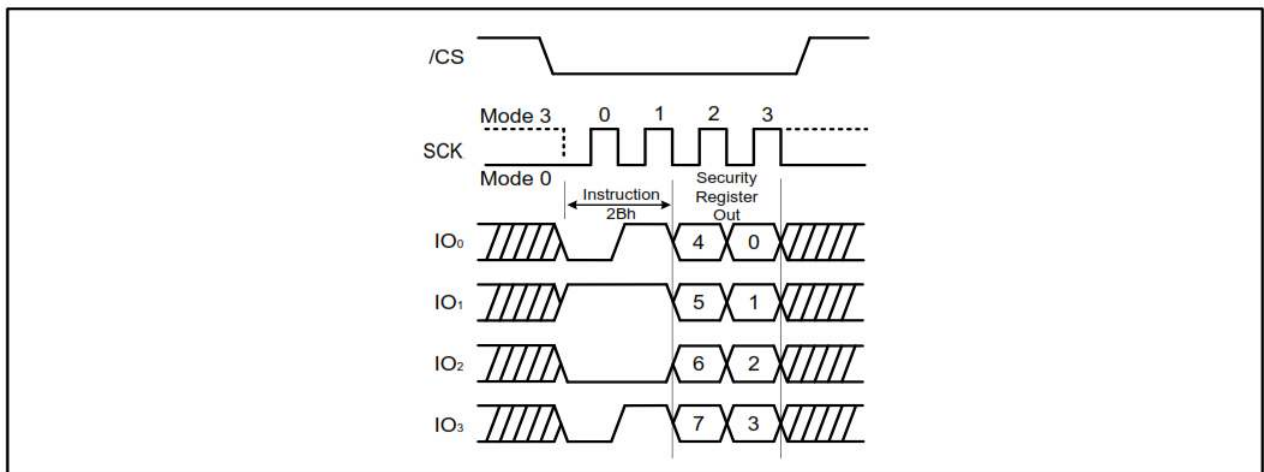
**Table 7-13. Security Register Definition**

Bit7	Bit6	Bit5	Bit4	Bit3	Bit2	Bit1	Bit
x	x	x	x	x	x	LDSO (indicate if lock- down)	Secured OTP indicator bit
Reserved	Reserved	Reserved	Reserved	Reserved	Reserved	0 = not lock-down 1 = lock- down (cannot program/ erase OTP)	0 = non factory lock 1 = factory lock
Volatile bit	Volatile bit	Volatile bit	Volatile bit	Volatile bit	Volatile bit	Non-Volatile bit	Non-Volatile bit

**Figure 7-61. Read Security Register Instruction (SPI Mode)**



**Figure 7-62. Read Security Register Instruction (QPI Mode)**

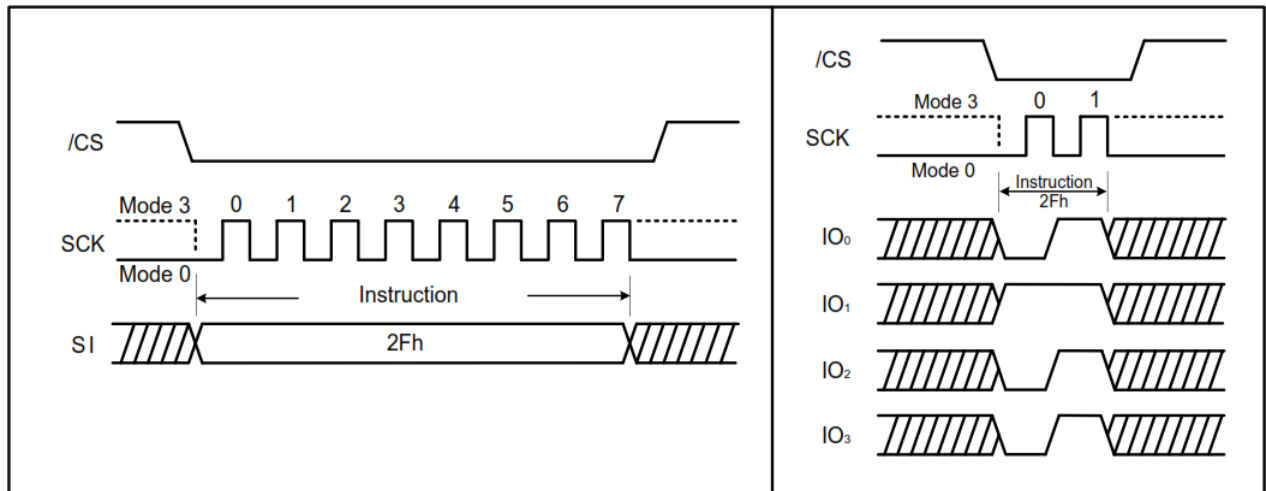


## 7.40 Write Security Register (2Fh)

The Write Security Register instruction is for changing the values of Security Register bits. Unlike Write Status Register, the Write Enable instruction is not required before writing Write Security Register instruction. The Write Security Register instruction may change the value of bit1 (LDSO bit) for customer to lock-down the 4K-bit Secured OTP area. Once the LDSO bit is set to “1”, the Secured OTP area cannot be updated any more.

The  $\overline{CS}$  must go high exactly at the boundary; otherwise, the instruction is rejected and not executed.

Figure 7-63. Write Security Register Instruction for SPI Mode (left) and QPI Mode (right)



## 7.41 4K-bit Secured OTP

It's for unique identifier to provide 4K-bit one-time-program area for setting device unique serial number which may be set by factory or system customer. Please refer to table of “4K-bit secured OTP definition”.

- Security register bit 0 indicates whether the chip is locked by factory or not.
- To program the 4K-bit secured OTP by entering 4K-bit secured OTP mode (with ENSO command) and going through normal program procedure, and then exiting 4K-bit secured OTP mode by writing EXSO command,
- Customer may lock-down bit1 as “1”. Please refer to “table of security register definition” for security register bit definition and table of “4K-bit secured OTP definition” for address range definition.

Note. Once lock-down whatever by factory or customer, it cannot be changed any more. While in 4K-bit secured OTP mode, array access is not allowed to write.

Table 7-14. Secure OTP Address Space

Address Range	Size	Standard	Customer Lock
000000 ~ 00000F	128-bit	ESN (Electrical Serial Number)	Determined by customer
000010 ~ 0001FF	3968-bit	N/A	

## 8. Electrical Characteristics

Table 8-1. Absolute Maximum Ratings<sup>(1)</sup>

Parameter	Symbol	Conditions	Range	Unit
Supply Voltage	VCC		-0.6 to VCC+0.4	V
Voltage Applied to Any Pin	VIO	Relative to Ground	-0.6 to VCC +0.4	V
Transient Voltage on any Pin	VLOT	<20nS Transient Relative to Ground	-1.0V to VCC +1.0V	V
Storage Temperature	TSTG		-65 to +150	°C
Lead Temperature	TLEAD		See Note <sup>(2)</sup>	°C
Electrostatic Discharge Voltage	VESD	Human Body Model <sup>(3)</sup>	-2000 to +2000	V

**Notes:**

1. Stresses beyond those listed under “Absolute Maximum Ratings” may cause permanent damage to the device. The “Absolute Maximum Ratings” are stress ratings only and functional operation of the device at these or any other conditions beyond those indicated in the operational sections of this specification is not implied. Exposure to absolute maximum rating conditions for extended periods may affect device reliability. Voltage extremes referenced in the “Absolute Maximum Ratings” are intended to accommodate short duration undershoot/overshoot conditions and does not imply or guarantee functional device operation at these levels for any extended period of time.
2. Compliant with JEDEC Standard J-STD-20C for small body Sn-Pb or Pb-free (Green) assembly and the European directive on restrictions on hazardous substances (RoHS) 2002/95/EU.
3. JEDEC Std JESD22-A114A (C1=100pF, R1=1500 ohms, R2=500 ohms).

### 8.1 Operating Ranges

Table 8-2. Operating Ranges

Parameter	Symbol	Conditions	Min	Max	Unit
Supply Voltage	VCC	FR = 133 MHz (Single/Dual/Quad SPI) f <sub>R</sub> = 50 MHz (Read Data 03h)	1.7	2.0	V
Ambient Operating Temperature	T <sub>A</sub>	Industrial	-40	+85	°C

### 8.2 Endurance and Data Retention

Table 8-3. Endurance and Data Retention

Parameter	Conditions	Min	Max	Unit
Erase/Program Cycles	4KB Block, 32/64KB block or full chip.	100,000		Cycles
Data Retention	Full Temperature Range		20	years

### 8.3 Power-up Timing and Write Inhibit Threshold

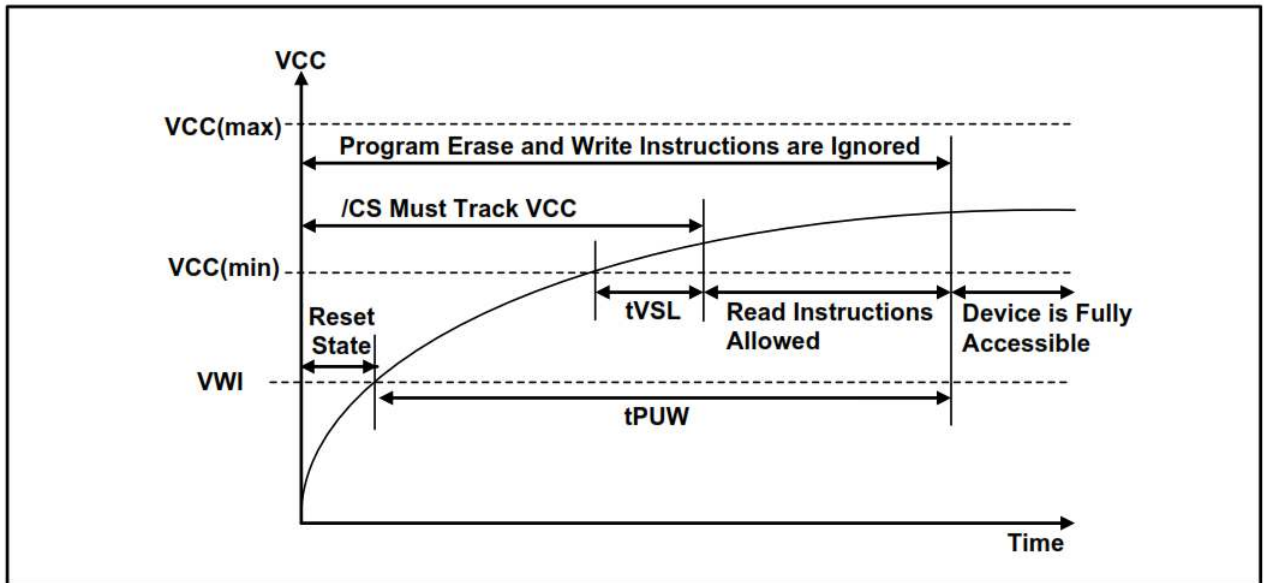
Table 8-4. Power-up Timing and Write Inhibit Threshold

Parameter	Symbol	Min	Max	Unit
VCC(min) to $\overline{CS}$ Low	$t_{VSL}^{(1)}$	15		$\mu s$
Time Delay Before Write Instruction	$t_{PUW}^{(1)}$	1	10	ms
Write Inhibit Threshold Voltage	$V_{WI}^{(1)}$	1.0	1.4	V

**Note:**

1. These parameters are characterized at -10C & +85C only

Figure 8-1. Power-up Timing and Voltage Levels



## 8.4 DC Electrical Characteristics

Table 8-5. DC Electrical Characteristics

Parameter	Symbol	Condition	Min	Typ	Max	Unit
Input Capacitance	CIN <sup>(1)</sup>	VIN = 0V <sup>(2)</sup>			6	pF
Output Capacitance	COUT <sup>(1)</sup>	VOUT = 0V <sup>(2)</sup>			8	pF
Input Leakage	ILI				±2	μA
I/O Leakage	ILO				±2	μA
Standby Current	ICC1	$\overline{CS} = VCC$ VIN = GND or VCC		10	70	μA
Power Down Current	ICC2	$\overline{CS} = VCC$ VIN = GND or VCC		2	20	μA
Current Read Data/ Dual/Quad 1 MHz <sup>(2)</sup>	ICC3	C = 0.1 VCC / 0.9VCC IO = Open			7	mA
Current Read Data/ Dual/Quad 50 MHz <sup>(2)</sup>	ICC3	C = 0.1 VCC / 0.9VCC IO = Open			15	mA
Current Read Data/ Dual/Quad 80 MHz <sup>(2)</sup>	ICC3	C = 0.1 VCC / 0.9VCC IO = Open			18	mA
Current Read Data/ Dual/Quad 104 MHz <sup>(2)</sup>	ICC3	C = 0.1 VCC / 0.9VCC IO = Open			20	mA
Current Read Data/ Dual/Quad 133 MHz <sup>(2)</sup>	ICC3	C = 0.1 VCC / 0.9VCC IO = Open			27	mA
Current Write Status Register	ICC4	$\overline{CS} = VCC$		10	20	mA
Current page Program	ICC5	$\overline{CS} = VCC$		15	25	mA
Current Block Erase	ICC6	$\overline{CS} = VCC$		15	25	mA
Current Chip Erase	ICC7	$\overline{CS} = VCC$		15	25	mA
Input Low Voltage	VIL		-0.5		VCC x0.2	V
Input High Voltage	VIH		VCC x0.8		VCC +0.4	V
Output Low Voltage	VOL	IOL = 100 μA			0.2	V
Output High Voltage	VOH	IOH = -100 μA	VCC -0.2			V

**Notes:**

1. Tested on sample basis and specified through design and characterization data, TA = 25°C, VCC = 1.8V.
2. Checked Board Pattern.

## 8.5 AC Measurement Conditions

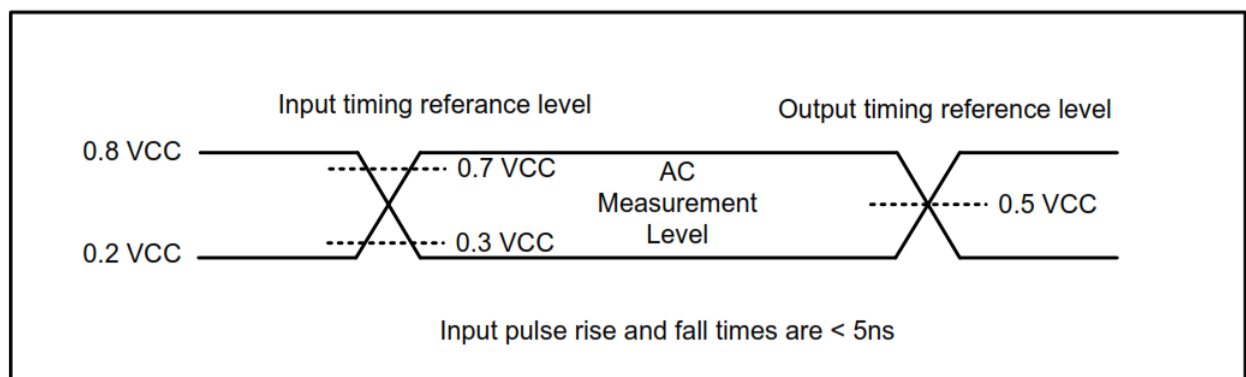
Table 8-6. AC Measurement Conditions

Parameter	Symbol	Min	Max	Unit
Load Capacitance	$C_L$		30	pF
Input Rise and Fall Times	$T_R, T_F$		5	ns
Input Pulse Voltages	$V_{IN}$	0.2 VCC to 0.8 VCC		V
Input Timing Reference Voltages	IN	0.3 VCC to 0.7 VCC		V
Output Timing Reference Voltages	OUT	0.5 VCC to 0.5 VCC		V

**Note:**

1. Output Hi-Z is defined as the point where data out is no longer driven

Figure 8-2. AC Measurement I/O Waveform



## 8.6 AC Electrical Characteristics

Table 8-7. AC Electrical Characteristics

Parameter	Symbol	Alt	Min	Typ	Max	Unit
Clock frequency for all instructions, except Read Data and Fast Read Data in SPI mode (03h, 0Bh) 1.7V - 2.0V VCC and industrial temperature	$f_R$	$f_c$	D.C.		133	MHz
Clock freq. Fast Read Data in SPI mode (0Bh)	$f_R$		D.C.		104	MHz
Clock freq. Read Data in SPI mode (03h)	$f_R$		D.C.		50	MHz
Clock High, Low Time except Read Data (03h)	$t_{CLH},$ $t_{CLL}^{(1)}$		3.5			ns
Clock High, Low Time for Read Data (03h) instructions	$t_{CRLH},$ $t_{CRLl}^{(1)}$		8			ns
Clock Rise Time peak to peak	$t_{CLCH}^{(2)}$		0.1			V/ns
Clock Fall Time peak to peak	$t_{CHCL}^{(2)}$		0.1			V/ns
$\overline{CS}$ Active Setup Time relative to Clock	$t_{SLCH}$	$t_{CSS}$	5			ns
$\overline{CS}$ Not Active Hold Time relative to Clock	$t_{CHSL}$		5			ns
Data In Setup Time	$t_{DVCH}$	$t_{DSU}$	2			ns
Data In Hold Time	$t_{CHDX}$	$t_{DH}$	3			ns
$\overline{CS}$ Active Hold Time relative to Clock	$t_{CHSH}$		5			ns
$\overline{CS}$ Not Active Setup Time relative to Clock	$t_{SHCH}$		5			ns
$\overline{CS}$ Deselect Time (for Read instructions/Write, Erase and Program instructions)	$t_{SHSL}$	$t_{CSH}$	100			ns
Output Disable Time	$t_{SHQZ}^{(2)}$	$t_{DIS}$			7	ns
Clock Low to Output Valid	$t_{CLQV}$	$t_{V1}$			6	ns
Clock Low to Output Valid ( Except Main Read ) (3)	$t_{CLQV}$	$t_{V2}$			7	ns
Output Hold Time	$t_{CLQX}$	$t_{HO}$	1.5			ns
$\overline{HOLD}$ Active Setup Time relative to Clock	$t_{HLCH}$		5			ns
$\overline{HOLD}$ Active Hold Time relative to Clock	$t_{CHHH}$		5			ns
$\overline{HOLD}$ Not Active Setup Time relative to Clock	$t_{HHCH}$		5			ns
$\overline{HOLD}$ Not Active Hold Time relative to Clock	$t_{CHHL}$		5			ns
$\overline{HOLD}$ to Output Low-Z	$t_{HHQX}^{(2)}$	$t_{LZ}$			7	ns
$\overline{HOLD}$ to Output High-Z	$t_{HLQZ}^{(2)}$	$t_{HZ}$			12	ns
Write Protect Setup Time Before $\overline{CS}$ Low	$t_{WHSL}^{(4)}$		20			ns
Write Protect Setup Time After $\overline{CS}$ High	$t_{SHWL}^{(4)}$		100			ns
$\overline{CS}$ High to Power Down Mode	$t_{DP}^{(2)}$				3	$\mu s$



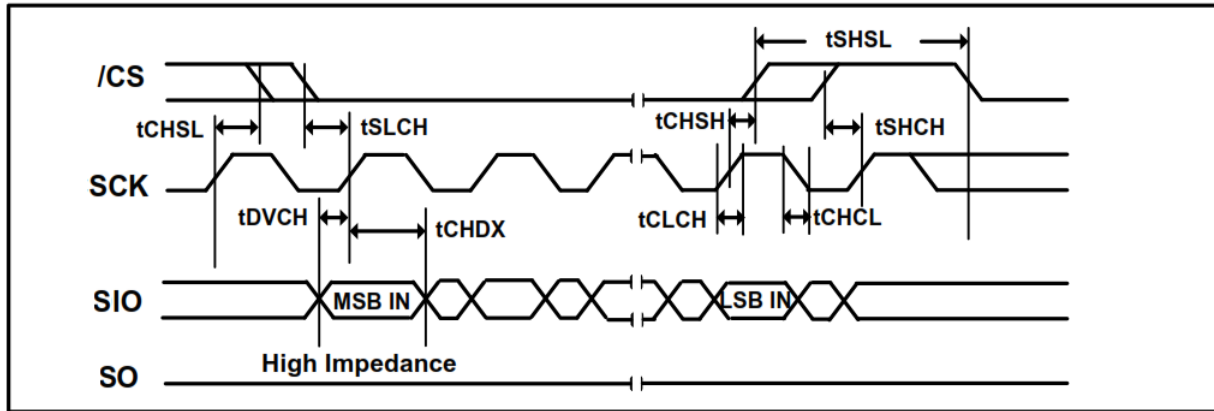
**Table 8-7. AC Electrical Characteristics (Continued)**

Parameter	Symbol	Alt	Min	Typ	Max	Unit
$\overline{\text{CS}}$ High to Standby Mode without Electronic Signature Read	$t_{\text{RES1}}^{(2)}$				3	$\mu\text{s}$
$\overline{\text{CS}}$ High to Standby Mode with Electronic Signature Read	$t_{\text{RES2}}^{(2)}$				1.8	$\mu\text{s}$
$\overline{\text{CS}}$ High to next Instruction after Suspend	$t_{\text{SUS}}^{(2)}$				30	$\mu\text{s}$
$\overline{\text{CS}}$ High to next Instruction after Reset	$t_{\text{RST}}^{(2)}$				30	$\mu\text{s}$
Write Status Register Time	$t_{\text{W}}$			5	15	ms
Byte Program Time	$t_{\text{BP}}$			5	150	$\mu\text{s}$
Page Program Time	$t_{\text{PP}}$			0.6	5	ms
Block Erase Time (4KB)	$t_{\text{SE}}$			0.06	0.4	s
Block Erase Time (32KB)	$t_{\text{BE1}}$			0.2	1.5	s
Block Erase Time (64KB)	$t_{\text{BE2}}$			0.35	2	s
Chip Erase Time	$t_{\text{CE}}$			60	300	s

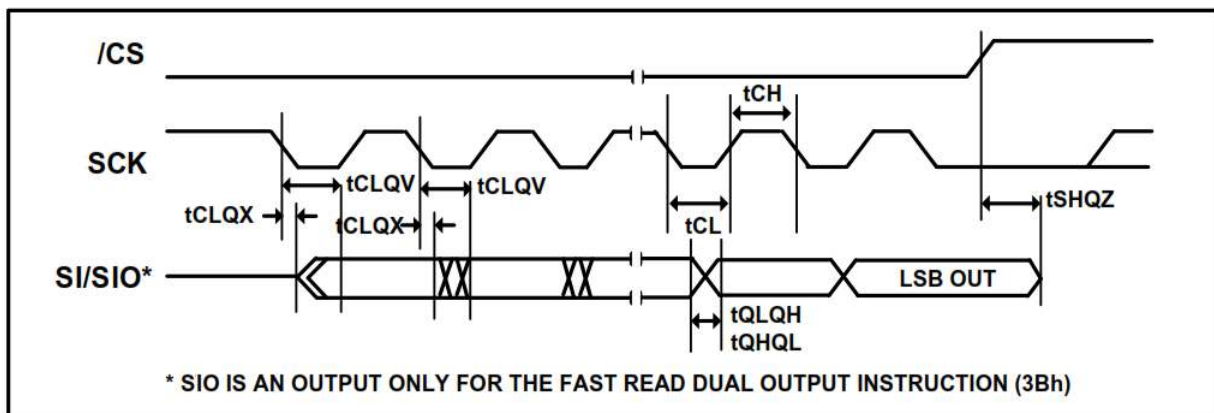
Notes:

1. Clock high + Clock low must be less than or equal to  $1/f_c$ .
2. Value guaranteed by design and/or characterization, not 100% tested in production.
3. Contains: Read Status Register-1,2/ Read Manufacturer/Device ID, Dual, Quad/ Read JEDEC ID/ Read Security Register/ Read Serial Flash Discovery Parameter.
4. Only applicable as a constraint for a Write Status Register instruction when Sector Protect Bit is set to 1.
5. Commercial temperature only applies to Fast Read (FR). Industrial temperature applies to all other parameters.

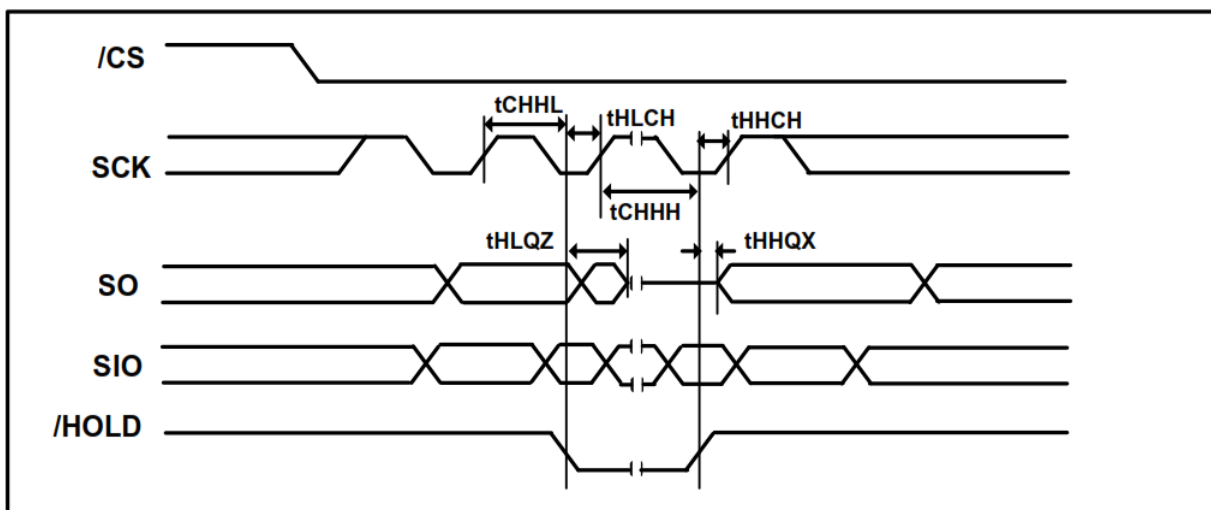
## 8.7 Input Timing



## 8.8 Output Timing

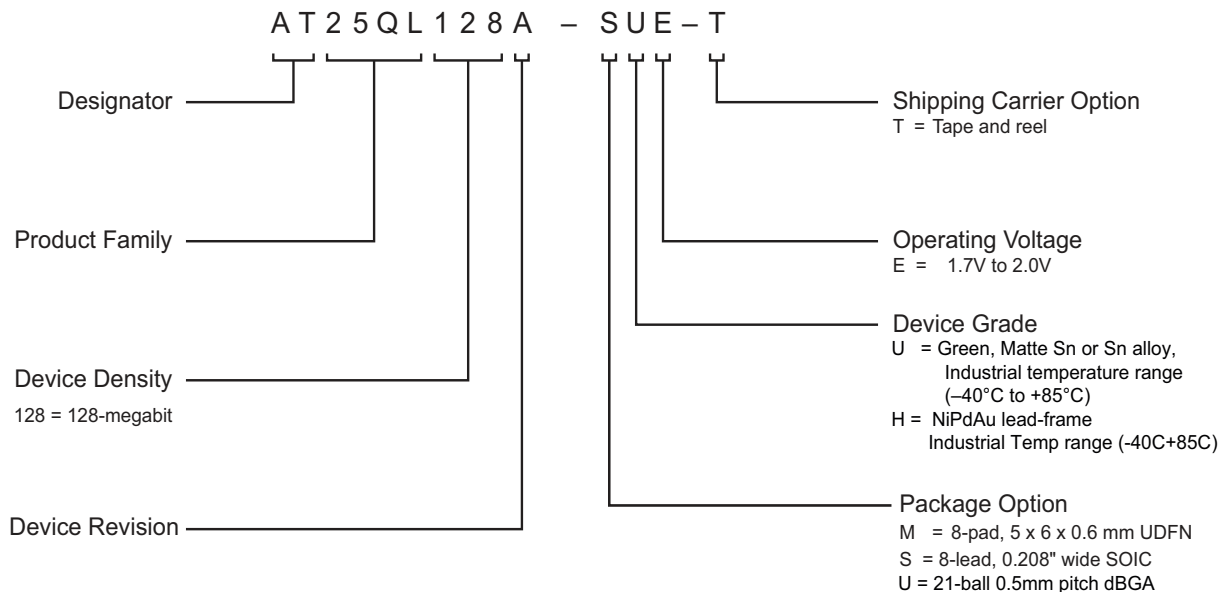


## 8.9 Hold Timing



## 9. Ordering Information

### 9.1 Ordering Code Detail



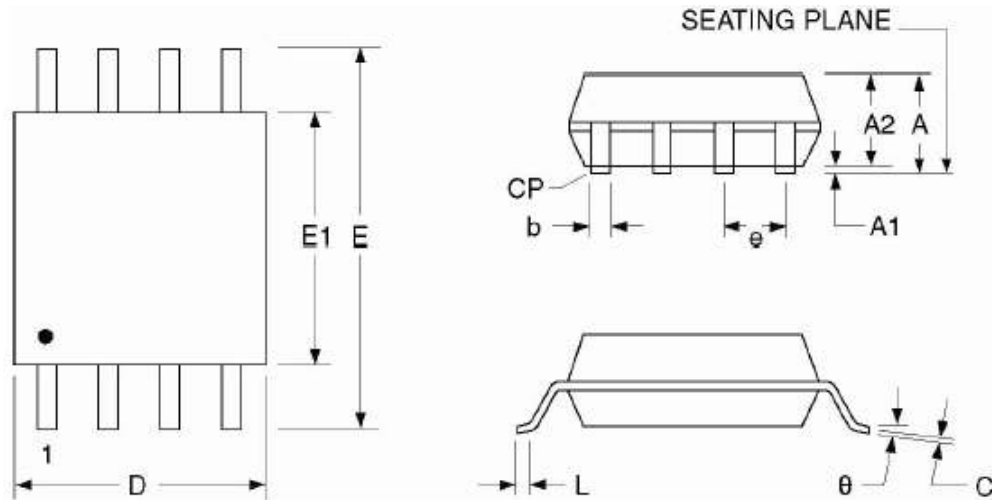
Ordering Code <sup>(1)</sup> <sup>(2)</sup>	Package	Lead Finish	Operating Voltage	Max. Freq. (MHz)	Operation Range
AT25QL128A-MHE-T	8MA1	NiPdAu	1.7V - 2.0V	133 MHz	-40°C to 85°C (Industrial Temperature Range)
AT25QL128A-SUE-T	8S4	SnAgCu			
AT25QL128A-UUE-T <sup>(3)</sup>	21-WLCSP				

1. The AT25QL128A is shipped with the QE bit set to 1 enabling the Quad / QPI mode.
2. The shipping carrier option code is not marked on the devices.
3. Contact Adesto for mechanical drawing or sales information.

Package Type	
<b>8S4</b>	8-lead, 0.208" Wide, Plastic Gull Wing Small Outline Package (EIAJ SOIC)
<b>8MA1</b>	8-pad (5 x 6 x 0.6 mm body), Thermally Enhanced Plastic Ultra-Thin Dual Flat No-lead (UDFN)
<b>21-WLCSP</b>	21-ball, 0.5mm pitch, die Ball Grid Array (dBGA)


## 10. Packaging Information

### 10.1 8S4 – 8-lead, .208" EIAJ SOIC

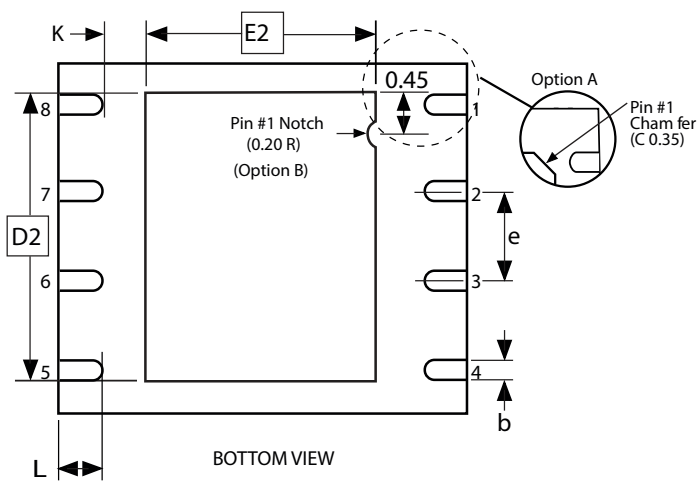
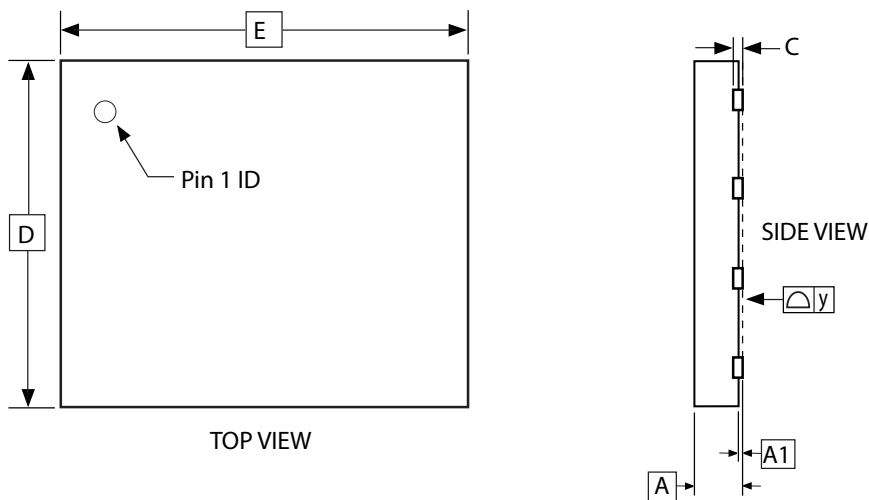


SYMBOL	MILLIMETERS			INCHES		
	MIN	NOM	MAX	MIN	NOM	MAX
A	1.75	1.95	2.16	0.069	0.077	0.085
A1	0.05	0.15	0.25	0.002	0.006	0.010
A2	1.70	1.80	1.91	0.067	0.071	0.075
B	0.35	0.42	0.48	0.014	0.017	0.019
C	0.19	0.20	0.25	0.007	0.008	0.010
D	5.18	5.28	5.38	0.204	0.208	0.212
E	7.70	7.90	8.10	0.303	0.311	0.319
E1	5.18	5.28	5.38	0.204	0.208	0.212
e	1.27 BSC			0.050 BSC		
L	0.50	0.65	0.80	0.020	0.026	0.031
θ	0°	-	8°	0°	-	8°
Y	-	-	0.10	-	-	0.004

5/5/16

 Package Drawing Contact: contact@adestotech.com	TITLE 8S3, 8-lead, 0.208" Body, Plastic Small Outline Package (EIAJ)	GPC	DRAWING NO.	REV.
		STN	8S3	A

## 10.2 8MA1 – UDFN



COMMON DIMENSIONS  
(Unit of Measure = mm)

SYMBOL	MIN	NOM	MAX	NOTE
A	0.45	0.55	0.60	
A1	0.00	0.02	0.05	
b	0.35	0.40	0.48	
C	0.152 REF			
D	4.90	5.00	5.10	
D2	3.80	4.00	4.20	
E	5.90	6.00	6.10	
E2	3.20	3.40	3.60	
e	1.27			
L	0.50	0.60	0.75	
y	0.00	-	0.08	
K	0.20	-	-	

- Notes: 1. This package conforms to JEDEC reference MO-229, Saw Singulation.  
2. The terminal #1 ID is a Laser-marked Feature.

4/15/08

**adesto**<sup>®</sup> TECHNOLOGIES  
Package Drawing Contact:  
contact@adestotech.com

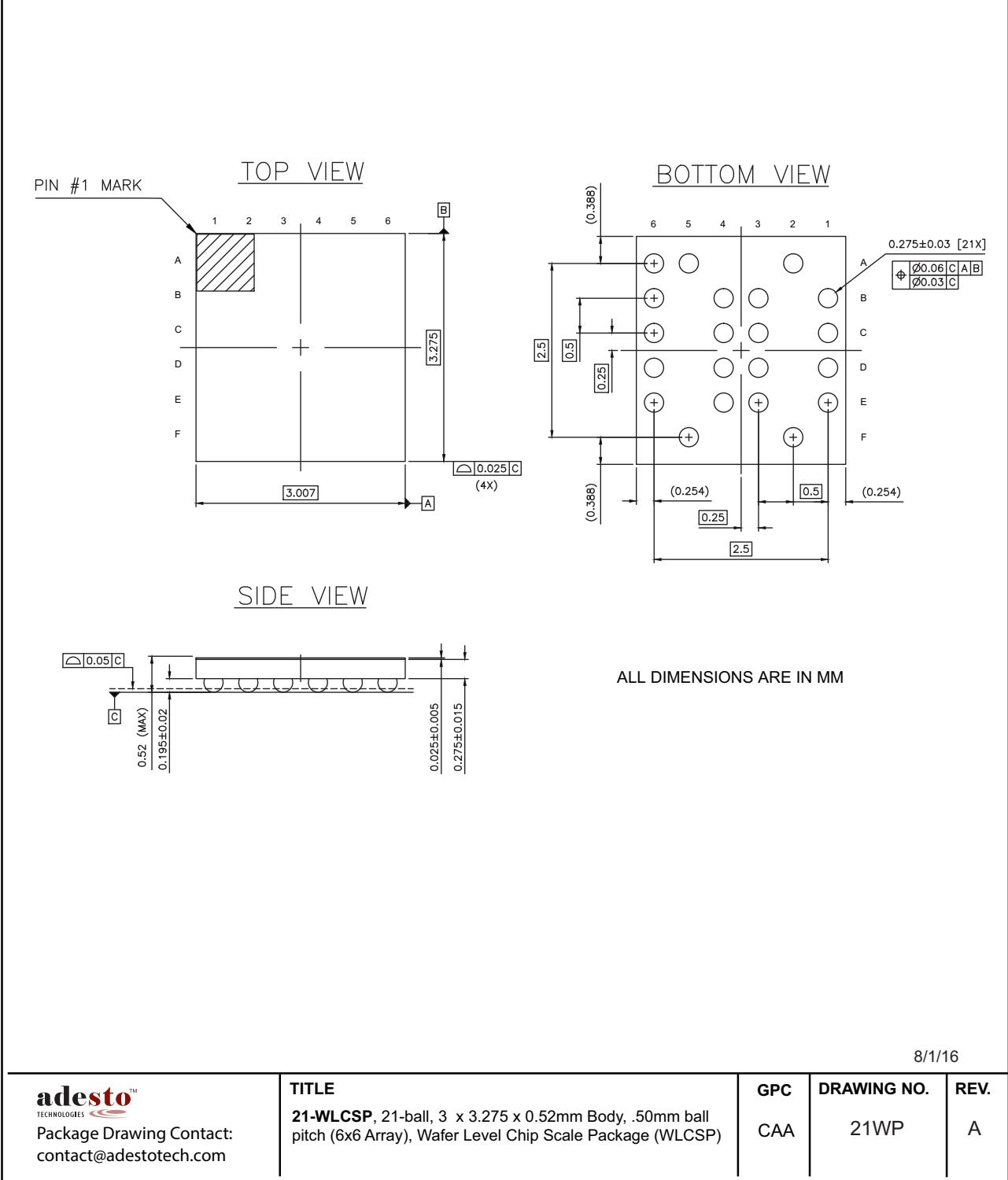
TITLE  
8MA1, 8-pad (5 x 6 x 0.6 mm Body), Thermally  
Enhanced Plastic Ultra Thin Dual Flat No Lead  
Package (UDFN)

GPC  
YFG

DRAWING NO.  
8MA1

REV.  
D

10.3 21-WLCSP



8/1/16

## 11. Revision History

Revision Level – Release Date	History
A – December 2016	Initial release of AT25QL128A datasheet.
B – February 2017	Updated Note 1 on Table 8.1.
C – November 2017	Updated Table 1-1 ( $\overline{WP}$ pin description). Updated 5.1 (Write Protect Features). Updated Tables 6-1 and 6-2. Restored Sector and Block Protect descriptions. Restored Status Register Memory Protection tables (Tables 6-3 and 6-4). Updated document status from Advanced to Complete. (Added Errata 11.1). Removed references to 133 MHz option. Removed RESET option from I/O <sub>3</sub> . Removed 26-WLCSP and 24-ball BGA package options. Removed references to ACC feature.
D – October 2018	Updated maximum operating frequency to 133 MHz throughout document. Updated 104 MHz -> 133 MHz, 208 MHz -> 266 MHz, and 416 MHz -> 532 MHz in Section 1. Table 7-5. Updated the EBh (fast read quad I/O) and 0Ch (burst read with wrap) instructions with a 133 MHz entry. Updated frequency in Figure 7-21 to 133 MHz. Updated Figure 7-50, Quad Word Read I/O Updated Figure 7-54 to 133 MHz. Updated P5:P4 encoding in Section 7.33 Set Read Parameters, to include 133 MHz encoding. Update Table 8.6, DC Electrical Characteristics, to include 133 MHz ICC3. Update Table 8.7, AC Electrical Characteristics, to include 133 MHz timing. Clarified 03h and 0Bh instruction behavior. Updated row 4 of Table 8-7 from 4.5 to 3.5 ns. Reformatted all tables throughout document. Thorough technical edit of existing material. Updated current consumption in DPD mode from 3 $\mu$ A to 2 $\mu$ A. Updated ordering code information in Section 9.1 to show 133 MHz frequency. Updated table 8-2 in Section 8.1 to show 133 MHz. Removed Die in Wafer Form packaging option.



## 11.1 Errata:

1. If Status Register-2 CMP bit is 0, and Status Register-1 bits {SEC,TB,BP2,BP1,BP} are {1,0,0,0,1}, address FFF000h-FFFFFFh *is protected* from any Program or Erase commands. However, this setting does *not* protect the rest of Sector 255 or the rest of Block 511 from 64Kbit or 32kbit Block Erase commands. If a 64Kbit Block Erase Command is issued to Sector 255, address FF0000h-FFEFFFh *will* be erased. If a 32Kbit Block Erase Command is issued to Block 511, address FF8000h-FFEFFFh *will* be erased.

**Workaround:** If this protection bit combination is used and the behavior described in Note 3 is required, avoid using 64Kbit or 32kbit Block Erase commands for this specific memory region.

2. If Status Register-2 CMP bit is 1, and Status Register-1 bits {SEC,TB,BP2,BP1,BP} are {1,1,0,0,1}, address 001000h-FFFFFFh *is protected* from any Program or Erase commands. However, this setting does *not* protect the rest of Sector 0 or the rest of Block 0 from 64Kbit or 32kbit Block Erase commands. If a 64Kbit Block Erase Command is issued to Sector 0, address 000000h-000FFFh *will* be erased. If a 32Kbit Block Erase Command is issued to Block 0, address 000000h-000FFFh *will* be erased.

**Workaround:** If this protection bit combination is used and the behavior described in Note 3 is required, avoid using 64Kbit or 32kbit Block Erase commands for this specific memory region.



## Corporate Office

California | USA

Adesto Headquarters

3600 Peterson Way

Santa Clara, CA 95054

Phone: (+1) 408.400.0578

Email: [contact@adestotech.com](mailto:contact@adestotech.com)

© 2018 Adesto Technologies. All rights reserved. DS-25QL128A-129D-10/2018

Adesto, the Adesto logo, CBRAM and DataFlash are trademarks or registered trademarks of Adesto Technologies Corporation in the United States and other countries. Other company, product, and service names may be trademarks or service marks of others. Adesto products are covered by one or more patents listed at <http://www.adestotech.com/patents>. Other company, product, and service names may be trademarks or service marks of others.

Disclaimer: Adesto Technologies Corporation ("Adesto") makes no warranties of any kind, other than those expressly set forth in Adesto's Terms and Conditions of Sale at <http://www.adestotech.com/terms-conditions>. Adesto assumes no responsibility or obligations for any errors which may appear in this document, reserves the right to change devices or specifications herein at any time without notice, and does not make any commitment to update the information contained herein. No licenses to patents or other intellectual property of Adesto are granted by Adesto herewith or in connection with the sale of Adesto products, expressly or by implication. Adesto's products are not authorized for use in medical applications (including, but not limited to, life support systems and other medical equipment), weapons, military use, avionics, satellites, nuclear applications, or other high risk applications (e.g., applications that, if they fail, can be reasonably expected to result in personal injury or death) or automotive applications, without the express prior written consent of Adesto.

## X-ON Electronics

Largest Supplier of Electrical and Electronic Components

*Click to view similar products for [NOR Flash](#) category:*

*Click to view products by [Dialog Semiconductor](#) manufacturer:*

Other Similar products are found below :

[615309A](#) [MBM29F200TC-70PFTN-SFLE1](#) [MBM29F800BA-90PF-SFLE1](#) [8 611 200 906](#) [9990933135](#) [AM29BL162CB-80RDPE1](#)  
[AM29F200BB-90DPI 1](#) [AT25DF021A-MHN-Y](#) [AT25DF256-SSHN-T](#) [EAN62691701](#) [MX29F200CTMI-70G](#) [PC28F320J3F75A](#) [8 905 959](#)  
[252](#) [S29AL008J55BFIR20](#) [S29AL016J70FFI022](#) [S29AS016J70BHIF40](#) [S99-50389 P](#) [AM29F016D-120DPI 1](#) [MBM29F400BC-](#)  
[90PFVGTSFLE1](#) [MBM29F800BA-70PFTN-SFLE1](#) [AT25DF011-MAHN-T](#) [AT25DF011-SSHN-T](#) [AT25DF011-XMHN-T](#) [AT25DF041B-](#)  
[MHN-Y](#) [AT45DB161E-CCUD-T](#) [RP-SDCCTH0](#) [S29PL127J70BAI020](#) [S99-50052](#) [MX25L6473EM2I-10G](#) [W29GL256SL9T](#)  
[W29GL128CH9C](#) [W29GL128CH9B](#) [W29GL032CL7B](#) [MX25L3233FMI-08G](#) [S99-50243 P](#) [S29GL512T10DHI020](#) [S26KS128SDGBHI030](#)  
[S26KL256SDABHB030](#) [S26KL128SDABHB020](#) [PC28F640J3F75B](#) [W29GL256SH9C](#) [S99-50239](#) [S29GL032N11FFIS12](#)  
[S26KS512SDABHB030](#) [S26KL256SDABHA020](#) [S25FS128SAGMFV100](#) [S25FS064SDSNFN030](#) [S29AL016D90MAI020\(SPANSION\)](#)  
[AM29F200BT-70EF\(SPANSION\)](#) [LE25S40MB-AH](#)