

Features

- Single 1.7V - 2.0V Supply
- Serial Peripheral Interface (SPI) and Quad Peripheral Interface (QPI) compatible
 - Supports SPI Modes 0 and 3
 - Supports Dual Output Read and Quad I/O program and read
 - Supports QPI program and read
 - 133 MHz maximum operating frequency
 - Clock-to-Output (t_{V1}) of 6 ns
 - Up to 66 MB/s continuous data transfer rate
- Quad enabled (factory default setting: see [Section 6.7](#))
- Full chip erase
- Flexible, optimized erase architecture for code and data storage applications
 - 0.6 ms typical Page Program (256 Bytes) time
 - 60 ms typical 4 Kbyte Block Erase time
 - 200 ms typical 32 Kbyte Block Erase time
 - 350 ms typical 64 Kbyte Block Erase time
- Hardware controlled locking of Status registers via \overline{WP} pin
- 4 Kbit secured One-Time Programmable (OTP) security register
- Hardware write protection
- Serial Flash Discoverable Parameters (SFDP) register
- Flexible programming
 - Byte/page program (1 to 256 Bytes)
 - Dual or quad input byte/page program (1 to 256 Bytes)
- Erase/program suspend and resume
- JEDEC standard manufacturer and device ID read methodology
- Low power dissipation
 - 2 μ A Deep Power-Down (DPD) current (typical)
 - 10 μ A Standby current (typical)
 - 5 mA Active read current (typical)
- Endurance: 100,000 program/erase cycles (4KB, 32KB or 64KB blocks)
- Data Retention: 20 years
- Industrial temperature range: -40 °C to +85 °C
- Industry standard green (Pb/Halide-free/RoHS compliant) package options
 - 8-lead SOIC (0.208" Wide EIAJ)
 - 8-pad DFN (6 x 5 x 0.6 mm)
 - 8-ball WLCSP (dBGA)

1. Introduction

The Adesto® AT25QL641 is a serial interface Flash memory device designed for use in a wide variety of high-volume consumer based applications in which program code is shadowed from Flash memory into embedded or external RAM for execution. The flexible erase architecture of the AT25QL641 is ideal for data storage as well, eliminating the need for additional data storage devices.

The erase block sizes of the AT25QL641 have been optimized to meet the needs of today's code and data storage applications. By optimizing the size of the erase blocks, the memory space can be used much more efficiently. Because certain code modules and data storage segments must reside by themselves in their own erase regions, the wasted and unused memory space that occurs with large block erase Flash memory devices can be greatly reduced. This increased memory space efficiency allows additional code routines and data storage segments to be added while still maintaining the same overall device density.

SPI clock frequencies of up to 133 MHz are supported, allowing equivalent clock rates of 266 MHz for Dual Output and 532 MHz for Quad Output when using the QPI and Fast Read Dual/Quad I/O instructions. The AT25QL641 array is organized into 32,768 programmable pages of 256 bytes each. Up to 256 bytes can be programmed at a time using the Page Program instructions. Pages can be erased 4 KB block, 32 KB block, 64 KB block, or the entire chip.

The devices operate on a single 1.7V to 1.95V power supply with current consumption as low as 5 mA active and 2 μ A for Deep Power Down (DPD). All devices offered in space-saving packages. The device supports JEDEC standard manufacturer and device identification with a 4 Kbit secured OTP.

2. Pinouts and Pin Descriptions

The following figures show the available package types.

Figure 1-1. 8-SOIC (Top View)

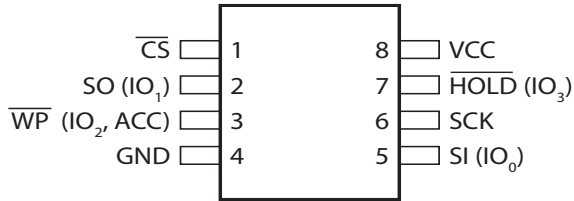


Figure 1-2. 8-UDFN (Top View)

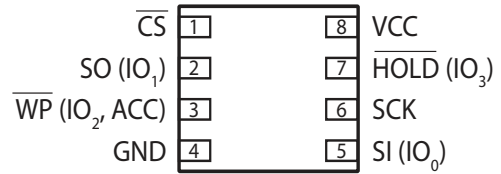
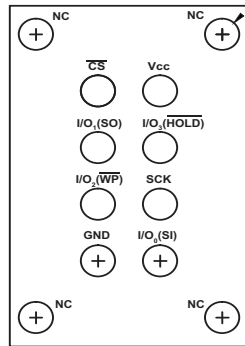


Figure 1-3. 8-WLCSP (Bottom View)



During all operations, V_{CC} must be held stable and within the specified valid range: V_{CC} (min) to V_{CC} (max).

All of the input and output signals must be held high or low (according to voltages of V_{IH} , V_{OH} , V_{IL} or V_{OL}).

Table 1-1. Pin Descriptions

Symbol	Name and Function	Asserted State	Type
\overline{CS}	<p>CHIP SELECT</p> <p>When this input signal is high, the device is deselected and serial data output pins are at high impedance. Unless an internal program, erase or write status register cycle is in progress, the device remains in the standby power mode (this is not the deep power down mode). Driving the Chip Select (\overline{CS}) low enables the device, placing it in the active power mode. After power-up, a falling edge of Chip Select (\overline{CS}) is required prior to the start of any instruction.</p>	Low	Input
SCK	<p>SERIAL CLOCK</p> <p>This input signal provides the timing for the serial interface. Instructions, addresses, or data present at serial data input are latched on the rising edge of Serial Clock (SCK). Data are shifted out on the falling edge of the SCK.</p>	-	Input
SI (I/O ₀)	<p>SERIAL INPUT</p> <p>The SI pin is used to shift data into the device. The SI pin is used for all data input, including command and address sequences. Data on the SI pin is always latched in on the rising edge of SCK.</p> <p>With the Dual-Output and Quad-Output Read commands, the SI Pin becomes an output pin (I/O₀) in conjunction with other pins to allow two or four bits of data on (I/O₃₋₀) to be clocked in on every falling edge of SCK</p> <p>To maintain consistency with the SPI nomenclature, the SI (I/O₀) pin is referenced as the SI pin unless specifically addressing the Dual-I/O and Quad-I/O modes in which case it is referenced as I/O₀.</p> <p>Data present on the SI pin is ignored whenever the device is deselected (\overline{CS} is deasserted).</p>	-	Input/Output
SO (I/O ₁)	<p>SERIAL OUTPUT</p> <p>The SO pin is used to shift data out from the device. Data on the SO pin is always clocked out on the falling edge of SCK.</p> <p>With the Dual-Output Read commands, the SO Pin remains an output pin (I/O₀) in conjunction with other pins to allow two bits of data on (I/O₁₋₀) to be clocked in on every falling edge of SCK.</p> <p>To maintain consistency with the SPI nomenclature, the SO (I/O₁) pin is referenced as the SO pin unless specifically addressing the Dual-I/O modes in which case it is referenced as I/O₁. The SO pin is in a high-impedance state whenever the device is deselected (\overline{CS} is deasserted).</p>	-	Input/Output
\overline{WP} (I/O ₂)	<p>WRITE PROTECT</p> <p>The Write Protect (\overline{WP}) pin can be used to protect the Status register against data modification. Used in conjunction with the Block Protect (SEC, TB, BP2, BP1 and BP0) bits and Status Register Protect SRP) bits, a portion or the entire memory array can be hardware-protected. The \overline{WP} pin is active low. When the QE bit of Status Register-2 is set for Quad I/O, the \overline{WP} pin (Hardware Write Protect) function is not available since this pin is used for I/O₂.</p>	-	Input/Output

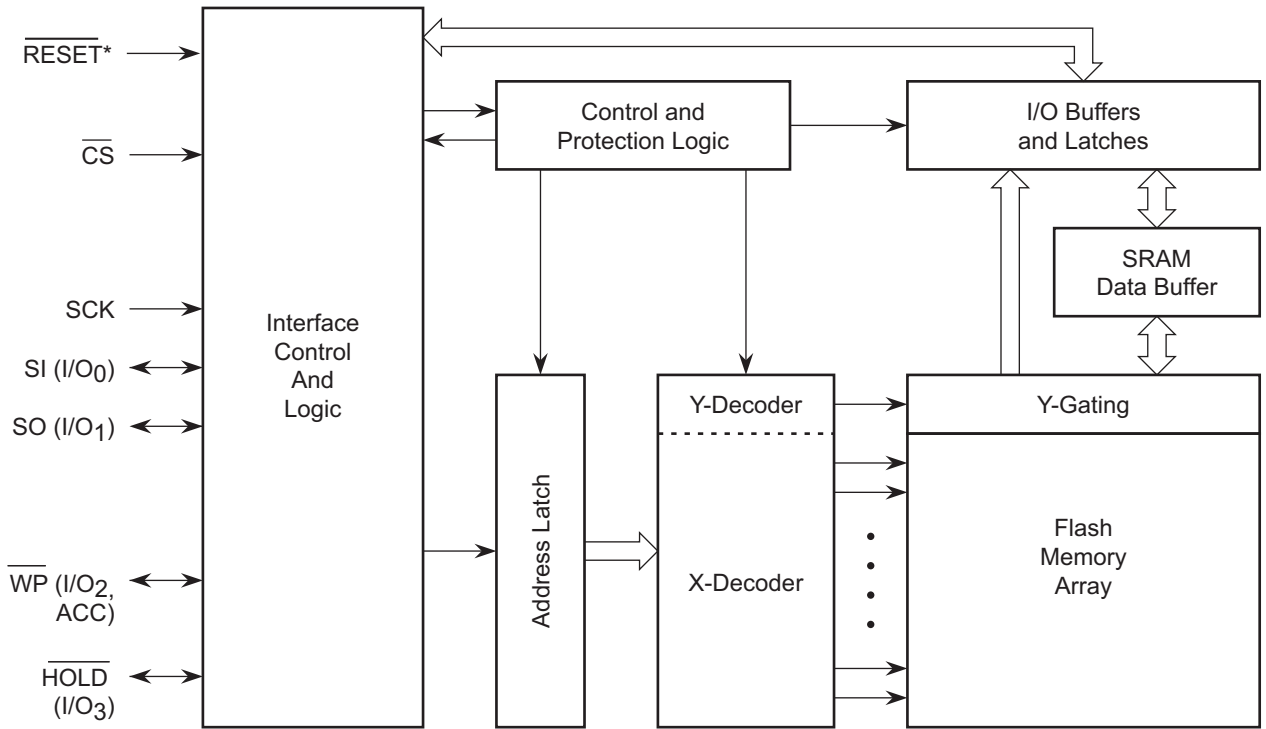
Table 1-1. Pin Descriptions (Continued)

Symbol	Name and Function	Asserted State	Type
$\overline{\text{HOLD}}$ (I/O ₃)	<p>HOLD</p> <p>The $\overline{\text{HOLD}}$ pin is used to temporarily pause serial communication without deselecting or resetting the device. While the $\overline{\text{HOLD}}$ pin is asserted, transitions on the SCK pin and data on the SI pin are ignored and the SO pin is placed in a high-impedance state.</p> <p>The $\overline{\text{CS}}$ pin must be asserted, and the SCK pin must be in the low state in order for a Hold condition to start. A Hold condition pauses serial communication only and does not have an effect on internally self-timed operations such as a program or erase cycle.</p> <p>With the Quad-Input Byte/Page Program command, the $\overline{\text{HOLD}}$ pin becomes an input pin (I/O₃) and with other pins, allows four bits (on I/O_{3,0}) of data to be clocked in on every rising edge of SCK. With the Quad-Output Read commands, the $\overline{\text{HOLD}}$ Pin becomes an output pin (I/O₃) in conjunction with other pins to allow four bits of data on (I/O_{3,0}) to be clocked in on every falling edge of SCK.</p> <p>To maintain consistency with SPI nomenclature, the $\overline{\text{HOLD}}$ (I/O₃) pin is referenced as the $\overline{\text{HOLD}}$ pin unless specifically addressing the Quad-I/O modes in which case it is referenced as I/O₃. The $\overline{\text{HOLD}}$ pin is internally pulled-high and may be left floating if the Hold function is not used. However, it is recommended that the $\overline{\text{HOLD}}$ pin also be externally connected to V_{CC} whenever possible.</p>	-	Input/Output
V _{CC}	<p>DEVICE POWER SUPPLY: V_{CC} is the supply voltage. It is the single voltage used for all device functions including read, program, and erase. The V_{CC} pin is used to supply the source voltage to the device. Operations at invalid V_{CC} voltages may produce spurious results and should not be attempted.</p>	-	Power
GND	<p>GROUND: V_{SS} is the reference for the V_{CC} supply voltage. The ground reference for the power supply. GND should be connected to the system ground.</p>	-	Power

2. Block Diagram

Figure 2-1 shows a block diagram of the AT25QL641 serial Flash.

Figure 2-1. AT25QL641 Block Diagram



Note: I/O₃₋₀ pin naming convention is used for Dual-I/O and Quad-I/O commands.

* Hardware-controlled RESET available ONLY on packages with greater than eight pins.

3. Memory Array

To provide the greatest flexibility, the memory array of the AT25QL641 can be erased in four levels of granularity including a full chip erase. The size of the erase blocks is optimized for both code and data storage applications, allowing both code and data segments to reside in their own erase regions. Figure 3-1 illustrates the the breakdown of each erase level.

Figure 3-1. Memory Architecture Diagram

Block Erase Detail				Page Program Detail	
64KB	32KB	4KB	Block Address Range	1-256 byte	Page Address Range
64KB	32KB	4KB	7FFFFFFh – 7FF000h	256 bytes	7FFFFFFh – 7FFF00h
		4KB	7FEFFFh – 7FE000h	256 bytes	7FFEFFh – 7FFE00h
		4KB	7FDFFFh – 7FD000h	256 bytes	7FFDFFh – 7FFD00h
		4KB	7FCFFFh – 7FC000h	256 bytes	7FFCFFh – 7FFC00h
		4KB	7FBFFFh – 7FB000h	256 bytes	7FFBFFh – 7FFB00h
		4KB	7FAFFFh – 7FA000h	256 bytes	7FFAFFh – 7FFA00h
		4KB	7F9FFFh – 7F9000h	256 bytes	7FF9FFh – 7FF900h
		4KB	7F8FFFh – 7F8000h	256 bytes	7FF8FFh – 7FF800h
	32KB	4KB	7F7FFFh – 7F7000h	256 bytes	7FF7FFh – 7FF700h
		4KB	7F6FFFh – 7F6000h	256 bytes	7FF6FFh – 7FF600h
		4KB	7F5FFFh – 7F5000h	256 bytes	7FF5FFh – 7FF500h
		4KB	7F4FFFh – 7F4000h	256 bytes	7FF4FFh – 7FF400h
		4KB	7F3FFFh – 7F3000h	256 bytes	7FF3FFh – 7FF300h
		4KB	7F2FFFh – 7F2000h	256 bytes	7FF2FFh – 7FF200h
		4KB	7F1FFFh – 7F1000h	256 bytes	7FF1FFh – 7FF100h
		4KB	7F0FFFh – 7F0000h	256 bytes	7FF0FFh – 7FF000h
64KB	32KB	4KB	7EFFFFh – 7EF000h	256 bytes	7FEFFFh – 7FE000h
		4KB	7EDFFFh – 7ED000h	256 bytes	7FEDFFh – 7FED00h
		4KB	7ECFFFh – 7EC000h	256 bytes	7FECFFh – 7FEC00h
		4KB	7EBFFFh – 7EB000h	256 bytes	7FEBFFh – 7FEB00h
		4KB	7EAFh – 7EA000h	256 bytes	7FEAFFh – 7FEA00h
		4KB	7E9FFFh – 7E9000h	256 bytes	7FE9FFh – 7FE900h
		4KB	7E8FFFh – 7E8000h	256 bytes	7FE8FFh – 7FE800h
		4KB	7E7FFFh – 7E7000h	256 bytes	7FE7FFh – 7FE700h
	32KB	4KB	7E6FFFh – 7E6000h	256 bytes	7FE6FFh – 7FE600h
		4KB	7E5FFFh – 7E5000h	256 bytes	7FE5FFh – 7FE500h
		4KB	7E4FFFh – 7E4000h	256 bytes	7FE4FFh – 7FE400h
		4KB	7E3FFFh – 7E3000h	256 bytes	7FE3FFh – 7FE300h
		4KB	7E2FFFh – 7E2000h	256 bytes	7FE2FFh – 7FE200h
		4KB	7E1FFFh – 7E1000h	256 bytes	7FE1FFh – 7FE100h
		4KB	7E0FFFh – 7E0000h	256 bytes	7FE0FFh – 7FE000h
		⋮	⋮	⋮	⋮
64KB	32KB	4KB	00FFFFh – 00F000h	256 bytes	0017FFh – 001700h
		4KB	00EFFFh – 00E000h	256 bytes	0016FFh – 001600h
		4KB	00DFFFh – 00D000h	256 bytes	0015FFh – 001500h
		4KB	00CFFFh – 00C000h	256 bytes	0014FFh – 001400h
		4KB	00BFFFh – 00B000h	256 bytes	0013FFh – 001300h
		4KB	00AFFh – 00A000h	256 bytes	0012FFh – 001200h
		4KB	009FFFh – 009000h	256 bytes	0011FFh – 001100h
		4KB	008FFFh – 008000h	256 bytes	0010FFh – 001000h
	32KB	4KB	007FFFh – 007000h	256 bytes	000FFFh – 000F00h
		4KB	006FFFh – 006000h	256 bytes	000EFFh – 000E00h
		4KB	005FFFh – 005000h	256 bytes	000DFFh – 000D00h
		4KB	004FFFh – 004000h	256 bytes	000CFFh – 000C00h
		4KB	003FFFh – 003000h	256 bytes	000BFFh – 000B00h
		4KB	002FFFh – 002000h	256 bytes	000AFFh – 000A00h
		4KB	001FFFh – 001000h	256 bytes	0009FFh – 000900h
		4KB	000FFFh – 000000h	256 bytes	0008FFh – 000800h

4. Device Operation

4.1 Standard SPI Operation

The AT25QL641 features a serial peripheral interface on four signals: Serial Clock (SCK), Chip Select ($\overline{\text{CS}}$), Serial Data Input (SI) and Serial Data Output (SO). Standard SPI instructions use the SI input pin to serially write instructions, addresses or data to the device on the rising edge of SCK. The SO output pin is used to read data or status from the device on the falling edge of SCK.

SPI bus operation Modes 0 (0, 0) and 3 (1, 1) are supported. The primary difference between Mode 0 and Mode 3 concerns the normal state of the SCK signal when the SPI bus master is in standby and data is not being transferred to the Serial Flash. For Mode 0 the SCK signal is normally low on the falling and rising edges of $\overline{\text{CS}}$. For Mode 3 the SCK signal is normally high on the falling and rising edges of $\overline{\text{CS}}$.

4.2 Dual SPI Operation

The AT25QL641 supports Dual SPI operation. This instruction allows data to be transferred to or from the device at two times the rate of the standard SPI. The Dual Read instruction is ideal for quickly downloading code to RAM upon power-up (code-shadowing) or for execute-in-place (XiP) non-speed-critical code directly from the SPI bus. When using Dual SPI instructions the SI and SO pins become bidirectional I/O pins; I/O₀ and I/O₁.

4.3 Quad SPI Operation

The AT25QL641 supports Quad SPI operation. This instruction allows data to be transferred to or from the device at four times the rate of the standard SPI. The Quad Read instruction offers a significant improvement in continuous and random access transfer rates allowing fast code-shadowing to RAM or execution directly from the SPI bus. When using Quad SPI instruction the SI and SO pins become bidirectional I/O₀ and I/O₁, and the $\overline{\text{WP}}$ and $\overline{\text{HOLD}}$ pins become I/O₂ and I/O₃ respectively. Quad SPI instructions require the non-volatile Quad Enable bit (QE) in Status Register-2 to be set.

4.4 QPI Operation

The AT25QL641 is shipped with the Quad Enable bit set and the device powers up in QPI mode. When using QPI instructions, the SI and SO pins become bidirectional I/O₀ and I/O₁, and the $\overline{\text{WP}}$ and $\overline{\text{HOLD}}$ pins become I/O₂ and I/O₃ respectively.

The typical SPI protocol requires that the byte-long instruction code being shifted into the device only via SI pin in eight serial clocks. The QPI mode utilizes all four I/O pins to input the instruction code, thus only two serial clocks are required. This can significantly reduce the SPI instruction overhead and improve system performance in an XiP environment. Standard/ Dual/ Quad SPI mode and QPI mode are exclusive. Only one mode can be active at any given time, Enable QPI (38h) and Disable QPI (FFh) instructions are used to switch between these two modes. Upon power-up or after software reset using Reset (99h) instruction, the default state of the device is Standard/Dual/Quad SPI mode.

5. Write Protection

To protect inadvertent writes by the possible noise, several means of protection are applied to the Flash memory.

5.1 Write Protect Features

The write protect features are listed below.

- While Power-on reset, all operations are disabled and no instruction is recognized.
- An internal time delay of t_{PUW} can protect the data against inadvertent changes while the power supply is outside the operating specification. This includes the Write Enable, Page Program, Block Erase, Chip Erase, Write Security Register and the Write Status Register commands.
- For data changes, Write Enable instruction must be issued to set the Write Enable Latch (WEL) bit to "0". Power-up, Completion of Write Disable, Write Status Register, Page Program, Block Erase and Chip Erase are subjected to this condition.
- Status Register protect (SRP) and Block protect (SEC, TB, BP2, BP1, and BP0) bits may be used to configure a portion of the memory as read-only (software protection).
- The Write Protect (\overline{WP}) pin can be used to change the Status register (hardware control).
- The Deep Power Down (DPD) mode provides extra protection from unexpected data changes as all instructions are ignored under this status except for the 'Release from Deep Power Down' instruction.

6. Status Registers

The Read Status Register instruction can be used to provide status on the availability of the Flash memory array, if the device is write enabled or disabled, the state of write protection, and the Quad SPI setting. The Write Status Register instruction can be used to configure the devices write protection features and Quad SPI setting. Write access to the Status register is controlled, in some cases, by the \overline{WP} pin.

Table 6-1. Status Register-1

S7	S6	S5	S4	S3	S2	S1	S0
SRP	SEC	TB	BP2	BP1	BP0	WEL	BUSY
Status Register Protect 0 (Non-Volatile)	Sector Protect (Non-Volatile)	Top/Bottom Write Protect (Non-Volatile)	Block Protect (Non-Volatile)	Block Protect (Non-Volatile)	Block Protect (Non-Volatile)	Write Enable Latch	Erase or Write in Progress

Table 6-2. Status Register-2

S15	S14	S13	S12	S11	S10	S9	S8
SUS	CMP	(R)	(R)	(R)	(R)	QE	SRP1
Suspend Status	Complement Protect (Non-Volatile)	Reserved	Reserved	Reserved	Reserved	Quad Enable (Non-Volatile)	Register Protect 1 (Non-Volatile)

6.1 Busy

BUSY is a read-only bit (S0) that is set to a 1 state when the device is executing a Page Program, Erase, Write Status Register or Write Security Register instruction. During this time the device will ignore further instruction except for the Read Status Register and Erase / Program Suspend instruction (see t_W , t_{PP} , t_{SE} , t_{BE1} , t_{BE2} and t_{CE} in [Table 8-7, AC Electrical Characteristics](#)). When the Program, Erase, Write Status Register or Write Security Register command has completed, hardware clears the BUSY bit (to a 0 state), indicating the device is ready for further instructions.

6.2 Write Enable Latch (WEL)

Write Enable Latch (WEL) is a read only bit in status register (S1) that is set to a 1 after executing a Write Enable instruction. The WEL status bit is cleared to a 0 when device is write disabled. A write disable state occurs upon power-up or after any of the following instructions: Write Disable, Page Program, Erase and Write Status Register.

6.3 Block Protect Bits (BP2, BP1, BP0)

The Block Protect Bits (BP2, BP1, BP0) are non-volatile read/write bits (S4, S3, and S2) that provide write protection control and status. Block protect bits can be set using the Write Status Register Instruction (see t_W in [Table 8-7, AC Electrical Characteristics](#)). All, none or a portion of the memory array can be protected from Program and Erase commands (see Status Register Memory Protection table). The factory default setting for the Block Protection Bits is 0, none of the array protected.

6.4 Top/Bottom Block Protect (TB)

The Top/Bottom bit (TB) is non-volatile bits (S5) that controls if the Block Protect Bits (BP2, BP1, BP0) protect from the Top (TB = 0) or the Bottom (TB = 1) of the array as shown in the Status Register Memory Protection table. The factory default setting is TB = 0. The TB bit can be set with the Write Status Register Instruction depending on the state of the SRP0, SRP1, and WEL bits.

6.5 Sector/Block Protect (SEC)

The Sector protect bit (SEC) is a non-volatile bit (S6) that controls if the Block Protect Bits (BP2, BP1, BP0) protect 4KB Sectors (SEC = 1) or 64 KB blocks (SEC = 0) in the Top (TB = 0) or the Bottom (TB = 1) of the array as shown in the Status Register Memory protection table. The default setting is SEC = 0.

6.6 Status Register Protect (SRP1, SRP0)

The Status Register Protect bits (SRP1 and SRP0) are non-volatile read/write bits in the status register (S8 and S7). The SRP bits control the method of write protection: software protection, hardware protection, power supply lock-down or one time programmable (OTP) protection.

Table 6-3. Protection Types

SRP1	SRP0	WP	Type of Protection	Description
0	0	X	Software Protection	\overline{WP} pin no control. The register can be written to after a Write Enable command, WEL = 1 (factory default)
0	1	0	Hardware Protected	When \overline{WP} pin is low the Status Register locked and can not be written to.
0	1	1	Hardware Unprotected	When \overline{WP} pin is high the Status register is unlocked and can be written to after a Write Enable command, WEL = 1.
1	0	X	Power Supply Lock-Down	Status Register is protected and cannot be written to again until the next power down, power-up cycle(1)
1	1	X	One Time Program	Status Register is permanently protected and cannot be written to.

Note: 1. When SRP1, SRP0=(1,0), a power down, power-up cycle will change SRP1, SRP0 to(0,0) state.

6.7 Quad Enable (QE)

The Quad Enable (QE) bit is a non-volatile read/write bit (S9) that allows Quad operation. When the QE bit is set to a 0 state (factory default) the \overline{WP} pin and \overline{HOLD} are enabled. When the QE pin is set to a 1 the Quad I/O₂ and I/O₃ pins are enabled.

WARNING: The QE bit should never be set to a 1 during standard SPI or Dual SPI operation if the \overline{WP} or \overline{HOLD} pins are tied directly to the power supply or ground.

6.8 Complement Protect (CMP)

The Complement Protect bit (CMP) is a non-volatile read/write bit (S14). It is used in conjunction with SEC, TB, BP2, BP1 and BP0 bits to provide more flexibility for the array protection. Once CMP is set to 1, previous array protection set by SEC, TB, BP2, BP1 and BP0 is reversed. For instance, when CMP = 0, a top 4KB sector can be protected while the rest of the array is not; when CMP = 1, the top 4KB sector becomes unprotected while the rest of the array becomes read-only. For more information, refer to [Table](#) and [Table 6-5](#) below. The default setting is CMP = 0.

6.9 Erase/Program Suspend Status (SUS)

The Suspend Status bit (SUS) is a read only bit in the status register (S15) that is set to 1 after executing an Erase/Program Suspend (75h) instruction. The SUS status bit is cleared to 0 by Erase/Program Resume (7Ah) instruction as well as a power down, power-up cycle.

Table 6-4. Status Register Memory Protection (CMP = 0)

Status Register Bits					Memory Protection			
SEC	TB	BP2	BP1	BP0	Sector(s)	Address Range	Density	Portion of Memory
X	X	0	0	0	NONE	NONE	NONE	NONE
0	0	0	0	1	126 and 127	7E0000h - 7FFFFFFh	128 KB	Upper 1/64
0	0	0	1	0	124 thru 127	7C0000h - 7FFFFFFh	256 KB	Upper 1/32
0	0	0	1	1	120 thru 127	780000h - 7FFFFFFh	512 KB	Upper 1/16
0	0	1	0	0	112 thru 127	700000h - 7FFFFFFh	1 MB	Upper 1/8
0	0	1	0	1	96 thru 127	600000h - 7FFFFFFh	2 MB	Upper 1/4
0	0	1	1	0	64 thru 127	400000h - 7FFFFFFh	4 MB	Upper 1/2
0	1	0	0	1	0 and 1	000000h - 01FFFFh	128 KB	Lower 1/64
0	1	0	1	0	0 thru 3	000000h - 03FFFFh	256 KB	Lower 1/32
0	1	0	1	1	0 thru 7	000000h - 07FFFFh	512 KB	Lower 1/16
0	1	1	0	0	0 thru 15	000000h - 0FFFFFFh	1 MB	Lower 1/8
0	1	1	0	1	0 thru 31	000000h - 1FFFFFFh	2 MB	Lower 1/4
0	1	1	1	0	0 thru 63	000000h - 3FFFFFFh	4 MB	Lower 1/2
X	X	1	1	1	0 thru 127	000000h - 7FFFFFFh	8 MB	ALL
1	0	0	0	1	127	7FF000h - 7FFFFFFh	4 KB	U – 1/2048 (Note 4)
1	0	0	1	0	127	7FE000h - 7FFFFFFh	8 KB	U – 1/1024
1	0	0	1	1	127	7FC000h - 7FFFFFFh	16 KB	U – 1/512
1	0	1	0	X	127	7F8000h - 7FFFFFFh	32 KB	U – 1/256
1	1	0	0	1	0	000000h - 000FFFh	4 KB	L – 1/2048
1	1	0	1	0	0	000000h - 001FFFh	8 KB	L – 1/1024
1	1	0	1	1	0	000000h - 003FFFh	16 KB	L – 1/512
1	1	1	0	X	0	000000h - 007FFFh	32 KB	L – 1/256

Note:

1. X = Don't care
2. L = Lower; U = Upper
3. If any Erase or Program instruction specifies a memory region that contains protected data portion, this instruction will be ignored.
4. Note 3 does not apply to this Status Register Bit setting. See Errata 1 in Appendix A for details.

Table 6-5. Status Register Memory Protection (CMP = 1)

Status Register Bits					Memory Protection			
SEC	TB	BP2	BP1	BP0	Sector(s)	Address Range	Density	Portion of Memory
X	X	0	0	0	0 thru 127	000000h - 7FFFFFFh	8 MB	ALL
0	0	0	0	1	0 thru 125	000000h - 7DFFFFFFh	8,064 KB	Lower 63/64
0	0	0	1	0	0 and 121	000000h - 7BFFFFFFh	7,936 KB	Lower 31/32
0	0	0	1	1	0 thru 119	000000h - 77FFFFFFh	7,680 KB	Lower 15/16
0	0	1	0	0	0 thru 111	000000h - 6FFFFFFh	7,168 KB	Lower 7/8
0	0	1	0	1	0 thru 95	000000h - 5FFFFFFh	6 MB	Lower 3/4
0	0	1	1	0	0 thru 63	000000h - 3FFFFFFh	4 MB	Lower 1/2
0	1	0	0	1	2 thru 127	020000h - 7FFFFFFh	8,064 KB	Upper 63/64
0	1	0	1	0	4 and 127	040000h - 7FFFFFFh	7,936 KB	Upper 31/32
0	1	0	1	1	8 thru 127	080000h - 7FFFFFFh	7,680 KB	Upper 15/16
0	1	1	0	0	16 thru 127	100000h - 7FFFFFFh	7,168 KB	Upper 7/8
0	1	1	0	1	32 thru 127	200000h - 7FFFFFFh	6 MB	Upper 3/4
0	1	1	1	0	64 thru 127	400000h - 7FFFFFFh	4 MB	Upper 1/2
X	X	1	1	1	NONE	NONE	NONE	NONE
1	0	0	0	1	0 thru 127	000000h - 7FEFFFh	8,188 KB	L – 2047/2048
1	0	0	1	0	0 thru 127	000000h - 7FDFFFh	8,184 KB	L – 1023/1024
1	0	0	1	1	0 thru 127	000000h - 7FBFFFh	8,176 KB	L – 511/512
1	0	1	0	X	0 thru 127	000000h - 7F7FFFh	8,160 KB	L – 255/256
1	1	0	0	1	0 thru 127	001000h - 7FFFFFFh	8,188 KB	U – 2047/2048 (Note 4)
1	1	0	1	0	0 thru 127	002000h - 7FFFFFFh	8,184 KB	U – 1023/1024
1	1	0	1	1	0 thru 127	004000h - 7FFFFFFh	8,176 KB	U – 511/512
1	1	1	0	X	0 thru 127	008000h - 7FFFFFFh	8,160 KB	U – 255/256

Note:

1. X = don't care
2. L = Lower; U = Upper
3. If any Erase or Program instruction specifies a memory region that contains protected data portion, this instruction will be ignored.
4. Note 3 does not apply to this Status Register Bit setting. See Errata 2 in Appendix A for details.

7. Instructions

The SPI instruction set of the AT25QL641 consists of thirty eight basic instructions and the QPI instruction set of the AT25QL641 consists of thirty one basic instructions that are fully controlled through the SPI bus (see Instruction Set table). Instructions are initiated with the falling edge of Chip Select (CS). The first byte of data clocked into the input pins (SI or I/O [3:0]) provides the instruction code. Data on the SI input is sampled on the rising edge of clock with most significant bit (MSB) first.

Instructions are completed with the rising edge of edge \overline{CS} . All read instructions can be completed after any clocked bit. However, all instructions that Write, Program or Erase must complete on a byte (CS driven high after the full 8 bits has been clocked) otherwise the instruction is terminated. This feature further protects the device from inadvertent writes. Additionally, while the memory is being programmed or erased, or when the Status Register is being written, all commands except for Read Register are ignored until the program or erase cycle has completed.

Table 7-1. Manufacturer and Device Identification

		ID code	Instruction
Manufacturer ID	Adesto	1Fh	90h, 92h, 94h, 9Fh
Device ID	AT25QL641	16h	90h, 92h, 94h, ABh
Memory Type ID	SPI / QPI	43h	9Fh
Capacity Type ID	64M	17h	9Fh

7.1 Instruction Tables

Table 7-2. Instruction Set Table 1 (SPI Instructions) ⁽¹⁾

Instruction Byte	0	1	2	3	4	5
Clock Number	0 - 7	8 - 15	16 - 23	24 - 31	32 - 39	40 - 47
Write Enable	06h					
Write Enable (for volatile Status registers)	50h					
Write Disable	04h					
Read Status Register 1	05h	SR7:SR0 ⁽²⁾				
Read Status Register 2	35h	SR15:SR8 ⁽²⁾				
Write Status Register 1	01h	SR7:SR0	SR15:SR8			
Write Status Register 2	31h	SR15:SR8				
Read Data	03h	A23:A16	A15:A8	A7:A0	D7:D0	
Fast Read Data	0Bh	A23:A16	A15:A8	A7:A0	Dummy	D7:D0
Page Program	02h	A23:A16	A15:A8	A7:A0	D7:D0 ⁽³⁾	
Enable QPI	38h					
Block Erase (4 KB)	20h	A23:A16	A15:A8	A7:A0		
Block Erase (32 KB)	52h	A23:A16	A15:A8	A7:A0		
Block Erase (64 KB)	D8h	A23:A16	A15:A8	A7:A0		
Chip Erase	60h/7Ch					

Table 7-2. Instruction Set Table 1 (SPI Instructions) (Continued) ⁽¹⁾

Instruction Byte	0	1	2	3	4	5
Clock Number	0 - 7	8 - 15	16 - 23	24 - 31	32 - 39	40 - 47
Erase/Program Suspend	75h					
Erase/Program Resume	7Ah					
Deep Power Down	B9h					
Release from Deep Power Down/Device ID	ABh	Dummy	Dummy	Dummy	D7:D0 ⁽²⁾	
Read Manufacturer ID ⁽⁴⁾	90h	00h	00h	00h or 01h	MID7:MID0	DID7:DID0
Read JEDEC ID	9Fh	MID7:MID0	D7:D0	D7:D0		
Reset Enable	66h					
Reset	99h					
Enter Secured OTP	B1h					
Exit Secured OTP	C1h					
Read Security Register	2Bh	SC7:SC0 ⁽⁵⁾				
Write Security Register	2Fh					
Read Serial Flash Discovery Parameters	5Ah	A23:A16	A15:A8	A7:A0	Dummy	D7:D0

1. Data bytes are shifted with Most Significant Bit first. Byte fields with data in parenthesis “()” indicate data being read from the device on the I/O pin.
2. SR = status register, The Status Register contents and Device ID repeats continuously until CS terminates the instruction.
3. At least one byte of data input is required for Page Program, Quad Page Program and Program Security Register, up to 256 bytes of data input. If more than 256 bytes of data are sent to the device, the addressing will wrap to the beginning of the page and overwrite previously sent data.
4. See Manufacturer and Device Identification table for Device ID information.
5. SC = security register.

Table 7-3. Instruction Set Table 2 (Dual SPI Instructions)

Instruction Byte	0	1	2	3	4	5
Clock Number	0 - 7	8 - 15	16 - 23	24 - 31	32 - 39	40 - 47
Fast Read Dual Output	3Bh	A23:A16	A15:A8	A7:A0	Dummy	D7:D0 ⁽¹⁾
Fast Read Dual I/O	BBh	A23:A8 ⁽²⁾	A7:A0, M7:M0 ⁽²⁾	D7:D0.... ⁽¹⁾		
Read Manufacturer ID ⁽³⁾	92h	0000h	(00h, xxxx) or 01h, xxxx)	MID7:MID0 DID7:DID0 ⁽¹⁾		

1. Dual Output data: I/O₀ = (D6, D4, D2, D0), I/O₁ = (D7, D5, D3, D1)
2. Dual input address:
I/O₀ = A22, A20, A18, A16, A14, A12, A10, A8, A6, A4, A2, A0, M6, M4, M2, M0
I/O₁ = A23, A21, A19, A17, A15, A13, A11, A9, A7, A5, A3, A1, M7, M5, M3, M1
3. See Manufacturer and Device Identification table for Device ID information.

Table 7-4. Instruction Set Table 3 (Quad SPI Instructions)

Instruction Byte	0	1	2	3	4	5
Clock Number	0 - 7	8 - 15	16 - 23	24 - 31	32 - 39	40 - 47
Fast Read Quad Output	6Bh	A23:A16	A15:A8	A7:A0	Dummy	D7:D0 ⁽¹⁾
Fast Read Quad I/O	EBh	A23:A0, M7:M0 ⁽²⁾	(xxxx, D7:D0...) ⁽³⁾	D7:D0... ⁽¹⁾		
Quad Page Program	33h	A23:A0 (D7:D0, ...) ⁽¹⁾				
Read Quad Manufacturer ID ⁽⁴⁾	94h	00_0000h, xx or 00_00001h, xx	(xxxx, MID7:MID0) (xxxx, DID7:DID0) ⁽³⁾			
Fast Read Quad I/O	EBh	A23:A0 M7:M0 ⁽²⁾	(xx, D7:D0)	D7:D0 ⁽¹⁾		
Set Burst with Wrap	77h	xxxxxx, W6:W4 ⁽⁵⁾				

- Quad Input/ Output Data
 I/O₀ = (D4, D0...)
 I/O₁ = (D5, D1...)
 I/O₂ = (D6, D2...)
 I/O₃ = (D7, D3...)
- Quad Input Address
 I/O₀ = A20, A16, A12, A8, A0, M4, M0
 I/O₁ = A21, A17, A13, A9, A1, M5, M1
 I/O₂ = A22, A18, A14, A10, A2, M6, M2
 I/O₃ = A23, A19, A15, A11, A3, M7, M3
- Fast Read Quad I/O Data Output
 I/O₀ = (x, x, x, x, D4, D0...)
 I/O₁ = (x, x, x, x, D5, D1...)
 I/O₂ = (x, x, x, x, D6, D2...)
 I/O₃ = (x, x, x, x, D7, D3...)
- See Manufacturer and Device Identification table for Device ID information.
- Set Burst With Wrap
 I/O₀ = x, x, x, x, x, x, W4, x
 I/O₁ = x, x, x, x, x, x, W5, x
 I/O₂ = x, x, x, x, x, x, W6, x
 I/O₃ = x, x, x, x, x, x, W7, x

Table 7-5. Instruction Set Table 4 (QPI Instructions)

Instruction Byte ⁽¹⁾	0	1	2	3	4	5	6	7	8
Clock Number	0, 1	2, 3	4, 5	6, 7	8, 9	10, 11	12, 13	14, 15	16, 17
Write Enable	06h								
Write Enable (for volatile Status registers)	50h								
Write Disable	04h								
Read Status Register 1	05h	(SR7:SR0) ⁽²⁾							

Table 7-5. Instruction Set Table 4 (QPI Instructions) (Continued)

Instruction Byte ⁽¹⁾		0	1	2	3	4	5	6	7	8
Clock Number		0, 1	2, 3	4, 5	6, 7	8, 9	10, 11	12, 13	14, 15	16, 17
Read Status Register 2		35h	(SR15:SR8) ⁽²⁾							
Write Status Register 1 ⁽²⁾		01h	(SR7:SR0)	(SR15:SR8)						
Write Status Register 2		31h	(SR15:SR8)							
Fast Read Data	up to 80 MHz	0Bh	A23:A16	A15:A8	A7:A0	Dummy	Dummy	(D7:D0)		
	up to 104 MHz		A23:A16	A15:A8	A7:A0	Dummy	Dummy	Dummy	(D7:D0)	
Page Program		02h	A23:A16	A15:A8	A7:A0	(D7:D0) ⁽³⁾				
Block Erase (4 KB)		20h	A23:A16	A15:A8	A7:A0					
Block Erase (32 KB)		52h	A23:A16	A15:A8	A7:A0					
Block Erase (64 KB)		D8h	A23:A16	A15:A8	A7:A0					
Chip Erase		60h/7Ch								
Erase/Program Suspend		75h								
Erase/Program Resume		7Ah								
Deep Power Down		B9h								
Release from Deep Power Down		ABh								
Read Manufacturer/ Device ID ⁽⁴⁾		90h	00h	00h	00h or 01h	(MID7: MID0)	(DID7: DID0)			
Read JEDEC ID		9Fh	(MID7:MID0) (Mfg ID)	(D7:D0) (Mem Typ)	(D7:D0) (Cap)					
Enter Secured OTP		B1h								
Exit Secured OTP		C1h								
Read Security Register		2Bh	(SC7:SC0) ⁽⁵⁾							
Write Security Register		2Fh								
Fast Read Quad I/O	up to 80 MHz	EBh	A23:A16	A15:A8	A7:A0	(M7:M0)	Dummy	(D7:D0)		
	up to 104 MHz		A23:A16	A15:A8	A7:A0	(M7:M0)	Dummy	Dummy	(D7:D0)	
	up to 133 MHz		A23:A16	A15:A8	A7:A0	(M7:M0)	Dummy	Dummy	Dummy	(D7:D0)
Reset Enable		66h								
Reset		99h								
Disable QPI		FFh								

Table 7-5. Instruction Set Table 4 (QPI Instructions) (Continued)

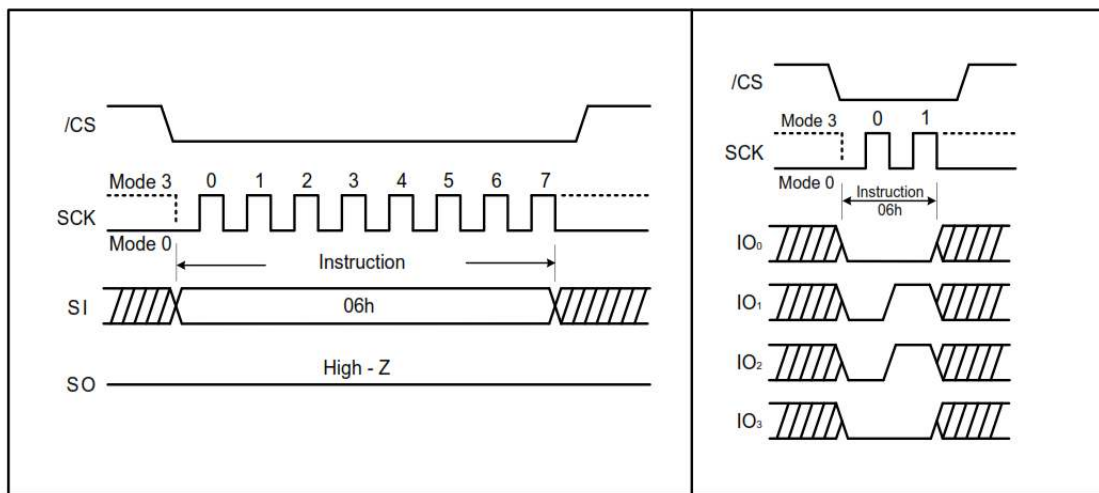
Instruction Byte ⁽¹⁾		0	1	2	3	4	5	6	7	8
Clock Number		0, 1	2, 3	4, 5	6, 7	8, 9	10, 11	12, 13	14, 15	16, 17
Burst Read with Wrap	up to 80 MHz	0Ch	A23:A16	A15:A8	A7:A0	Dummy	Dummy	(D7:D0)		
	up to 104 MHz		A23:A16	A15:A8	A7:A0	Dummy	Dummy	Dummy	(D7:D0)	
	up to 133 MHz		A23:A16	A15:A8	A7:A0	Dummy	Dummy	Dummy	Dummy	(D7:D0)
Set Read Parameter		C0h	P7:P0							
Quad Page Program		33h	A23:A16	A15:A8	A7:A0	(D7:D0)				

1. Data bytes are shifted with Most Significant Bit first. Byte fields with data in parenthesis “()” indicate data being read from the device on the I/O pin.
2. SR = Status Register. The Status Register contents and Device ID will repeat continuously until \overline{CS} terminates the instruction.
3. At least one byte of data input is required for Page Program, Quad Page Program and Program Security Register, up to 256 bytes of data input. If more than 256 bytes of data are sent to the device, the addressing will wrap to the beginning of the page and overwrite previously sent data.
4. See Manufacturer and Device Identification table for Device ID information.
5. SC = Security Register.

7.2 Write Enable (06h)

Write Enable instruction is for setting the Write Enable Latch (WEL) bit in the Status Register. The WEL bit must be set prior to every Program, Erase and Write Status Register instruction. To enter the Write Enable instruction, \overline{CS} goes low prior to the instruction “06h” into Data Input (SI) pin on the rising edge of SCK, and then driving CS high.

Figure 7-1. Write Enable Instruction for SPI Mode (left) and QPI Mode (right)

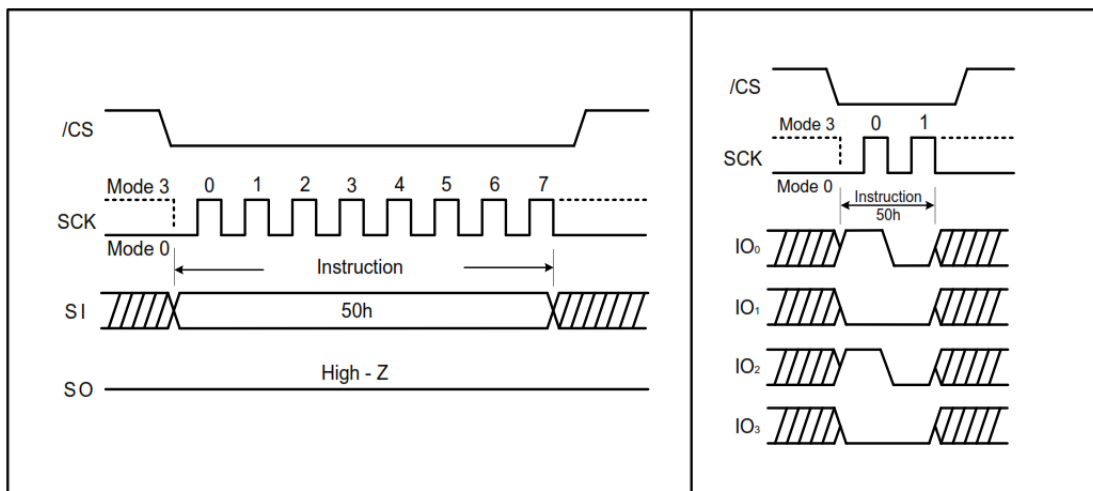


7.3 Write Enable for Volatile Status Register (50h)

This gives more flexibility to change the system configuration and memory protection schemes quickly without waiting for the typical non-volatile bit write cycles or affecting the endurance of the Status Register non-volatile bits. To write the volatile values into the Status Register bits, the Write Enable for Volatile Status Register (50h) instruction must be issued prior to a Write Status Register (01h) instruction. Write Enable for Volatile Status Register instruction (Figure 7-2) does not set the Write Enable Latch (WEL) bit. Once Write Enable for Volatile Status Register is set, a Write Enable instruction should not have been issued prior to setting Write Status Register instruction (01h or 31h). When Write

Enable for Volatile Status Register (50h) is set in QPI Mode, the SUS bit (S15) and Reserved bits (S13, S12, S11 and S10) of Status Register-2 must be driven to high after Write Status Register instruction (01h). Once Read Status Register (05h or 35h) is issued the read values of SUS bit (S15) and Reserved bits (S13, S12, S11 and S10) of the Status Register-2 are ignored.

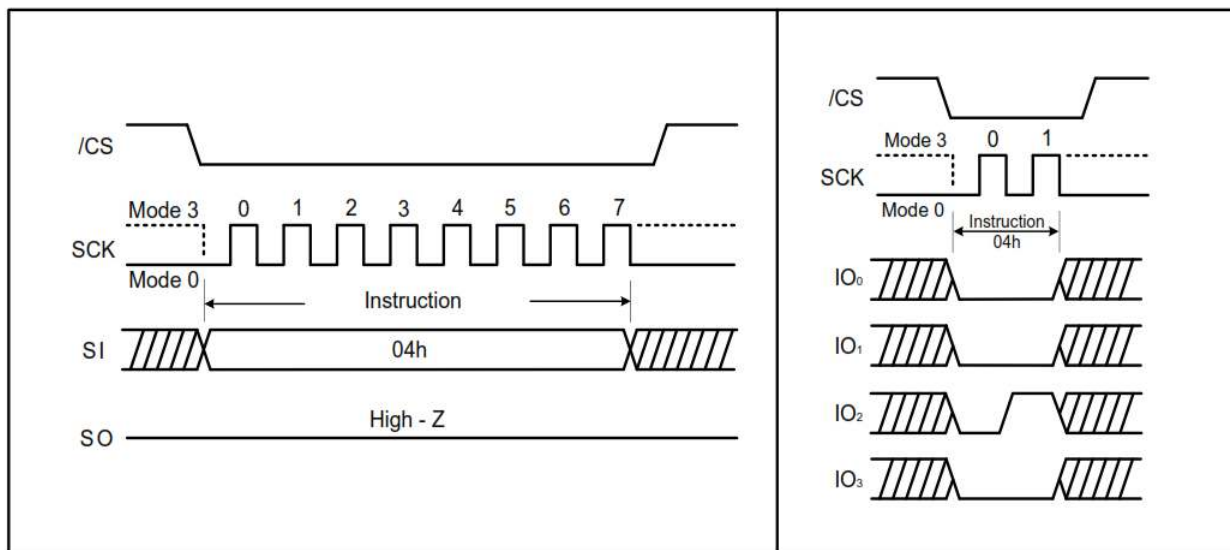
Figure 7-2. Write Enable for Volatile Status Register Instruction for SPI Mode (left) and QPI Mode (right)



7.4 Write Disable (04h)

The Write Disable instruction is used to reset the Write Enable Latch (WEL) bit in the Status Register. To enter the Write Disable instruction, CS goes low prior to the instruction "04h" into Data Input (SI) pin on the rising edge of SCK, and then driving CS high. The WEL bit is automatically reset write-disable status of "0" after power-up and upon completion of the every Program, Erase and Write Status Register instructions.

Figure 7-3. Write Disable Instruction for SPI Mode (left) and QPI Mode (right)



7.5 Read Status Register-1 (05h) and Read Status Register-2 (35h)

The Read Status Register instructions are to read the Status register. The Read Status Register instructions can be executed at any time (even in the Program/Erase/Write Status Register and Write Security Register conditions). It is recommended to check the BUSY bit before sending a new instruction when a Program, Erase, Write Status Register or Write Status Register operation is in progress.

The instruction is entered by driving \overline{CS} low and sending the instruction code “05h” for Status Register-1 or “35h” for Status Register-2 into the SI pin on the rising edge of SCK. The status register bits are then shifted out on the SO pin at the falling edge of SCK with most significant bit (MSB) first as shown in (Figure 7-4 and Figure 7-5). The Status Register can be read continuously. The instruction is completed by driving \overline{CS} high.

Figure 7-4. Read Status Register Instruction (SPI Mode)

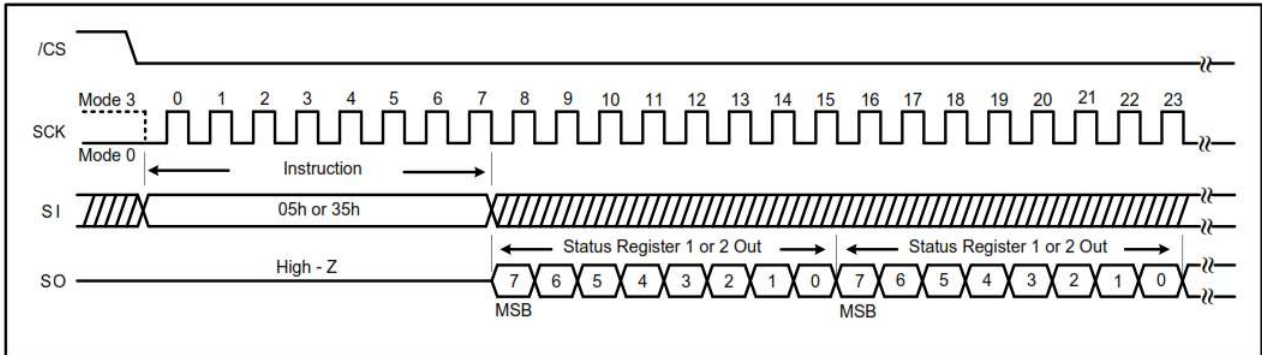
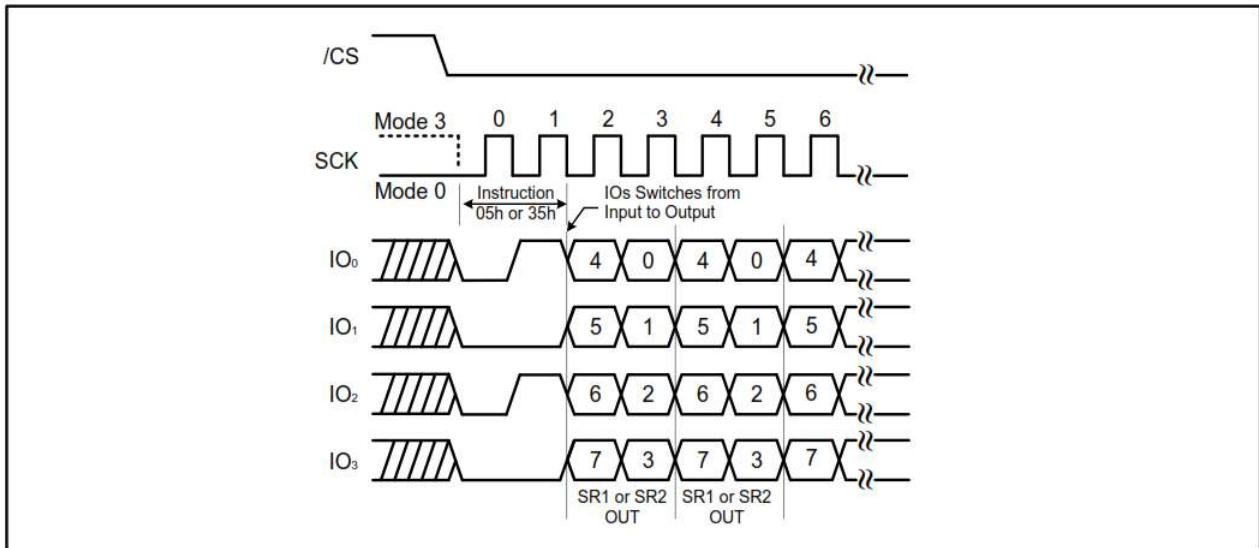


Figure 7-5. Read Status Register Instruction (QPI Mode)



7.6 Write Status Register (01h)

The Write Status Register instruction is used to write only the non-volatile Status Register-1 bit SRP0, and Status Register-2 bits QE and SRP1. All other Status Register bit locations are read-only and are not affected by the Write Status Register instruction.

A Write Enable instruction must previously have been issued prior to setting Write Status Register Instruction (Status Register bit WEL must equal 1). Once the write is enabled, the instruction is entered by driving \overline{CS} low, sending the instruction code, and then writing the status register data byte as illustrated in Figure 7-6 and Figure 7-7.

The \overline{CS} pin must be driven high after the eighth or sixteenth bit of data that is clocked in. If this is not done the Write Status Register instruction will not be executed. If \overline{CS} is driven high after the eighth clock, the CMP, QE and SRP1 (Status Register 2) bits are cleared to 0. After \overline{CS} is driven high, the self-timed Write Status Register cycle commences for a time duration of t_w (see Table 8-7, AC Electrical Characteristics).

While the Write Status Register cycle is in progress, the Read Status Register instruction may still be accessed to check the status of the BUSY bit. The BUSY bit is a 1 during the Write Status Register cycle and a 0 when the cycle is finished and ready to accept other instructions again. When the BUSY bit is asserted, the Write Enable Latch (WEL) bit in Status Register is cleared to 0.

Figure 7-6. Write Status Register Instruction (SPI Mode)

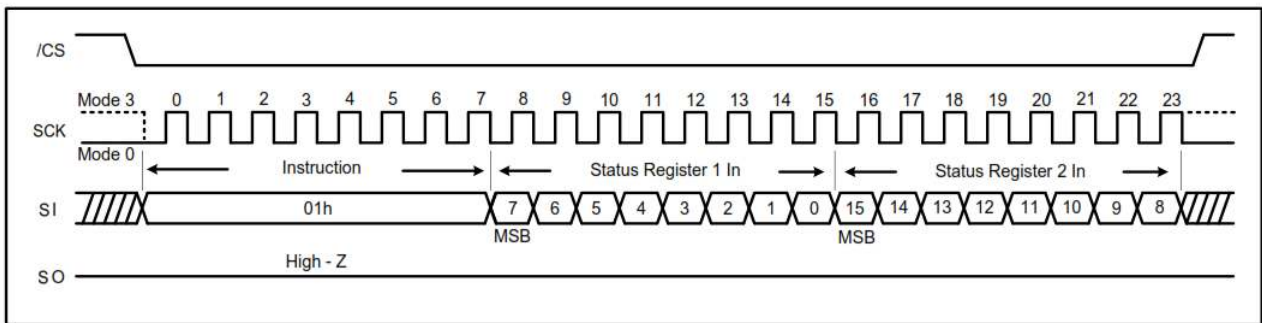
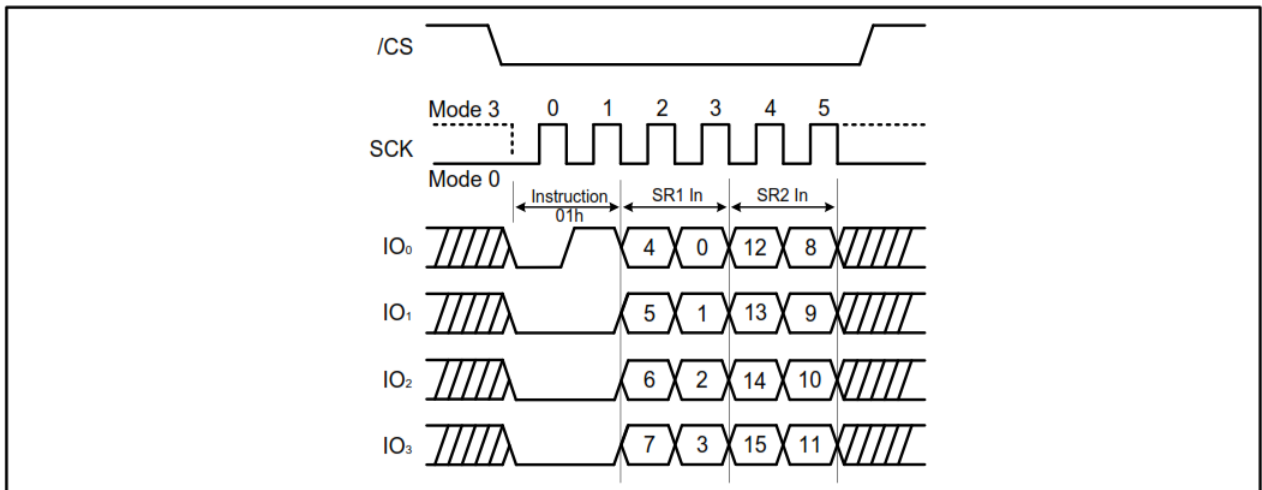


Figure 7-7. Write Status Register Instruction (QPI Mode)



7.7 Write Status Register-2 (31h)

The Write Status Register-2 instruction is used to write only non-volatile Status Register-2 bits CMP, QE and SRP1.

A Write Enable instruction must previously have been issued prior to setting Write Status Register Instruction (Status Register bit WEL must equal 1). Once write is enabled, the instruction is entered by driving \overline{CS} low, sending the instruction code, and then writing the status register data byte as illustrated in Figure 7-8 and Figure 7-9.

Using the Write Status Register-2 (31h) instruction, software can individually access each one-byte Status register via a different instruction.

Figure 7-8. Write Status Register-2 Instruction (SPI Mode)

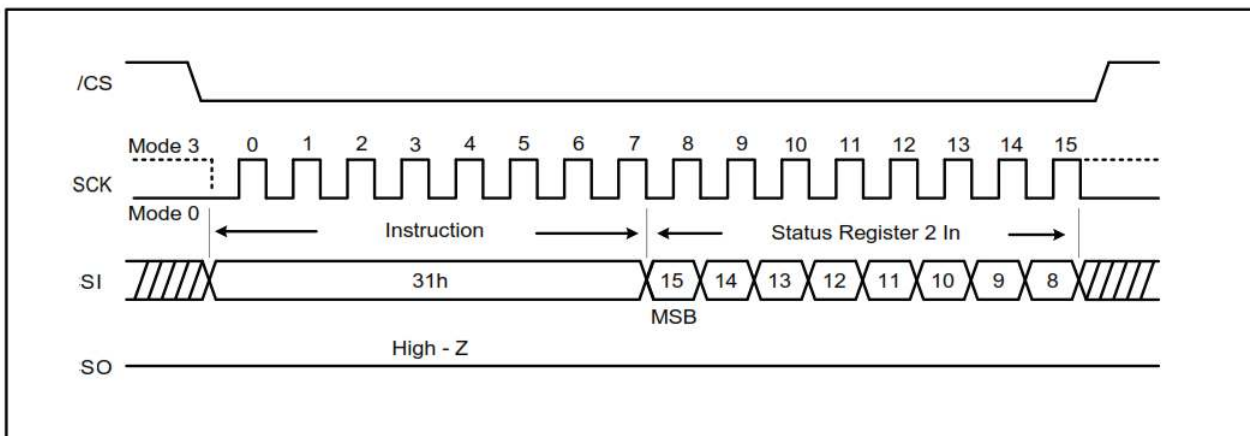
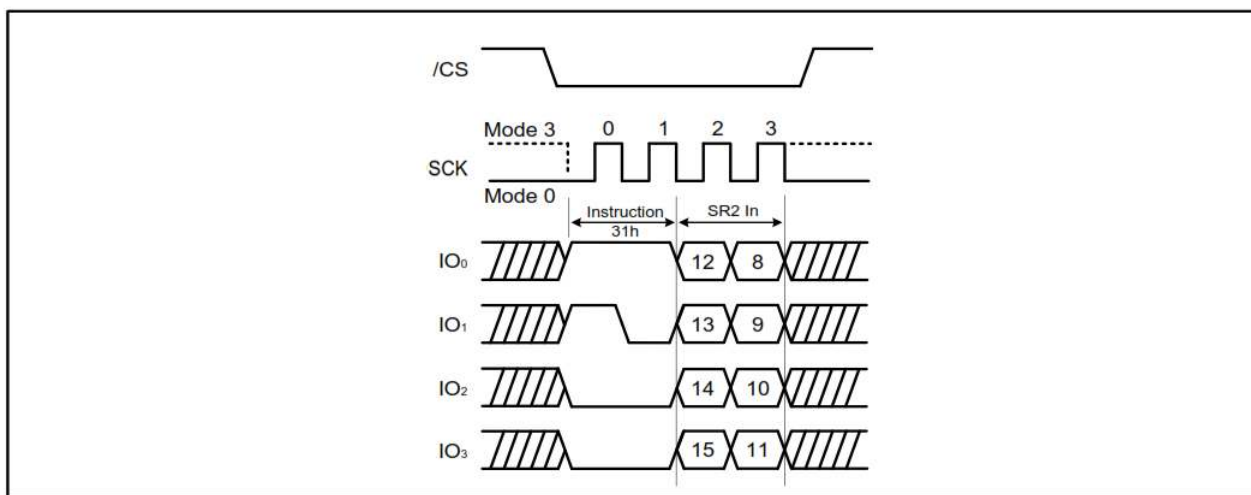


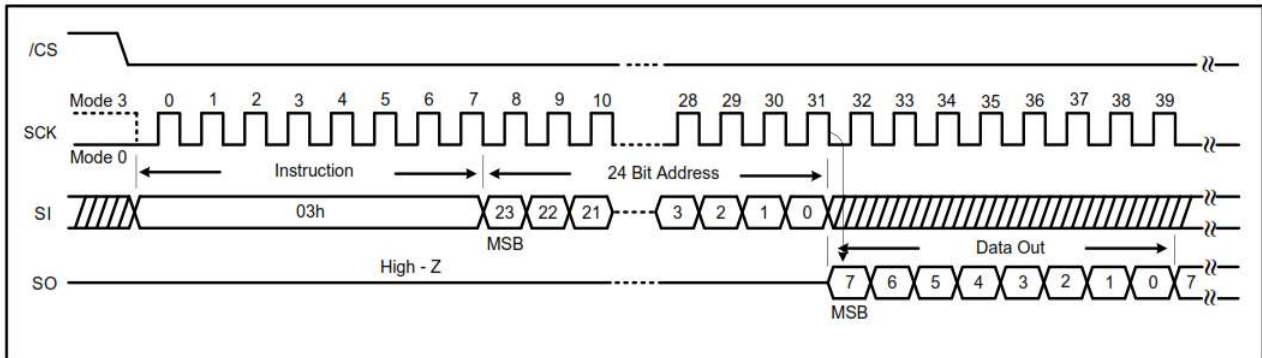
Figure 7-9. Write Status Register-2 Instruction (QPI Mode)



7.8 Read Data (03h)

The Read Data instruction is to read data out from the device. The instruction is initiated by driving the \overline{CS} pin low and then sending the instruction code “03h” with following a 24-bit address (A23 - A0) into the SI pin. After the address is received, the data byte of the addressed memory location is shifted out on the SO pin at the falling edge of SCK with the most significant bit (MSB) first. The address is automatically incremented to the next higher address after byte of data is shifted out allowing for a continuous stream of data. This means that the entire memory can be accessed with a single instruction as long as the clock continues. The instruction is completed by driving \overline{CS} high. The Read Data instruction sequence is shown in [Figure 7-10](#). If a Read Data instruction is issued while an Erase, Program or Write Status Register cycle is in process (BUSY = 1) the instruction is ignored and does not have any effects on the current cycle. The Read Data instruction allows clock rates from D.C to a maximum of f_R (see [Table 8-7, AC Electrical Characteristics](#)).

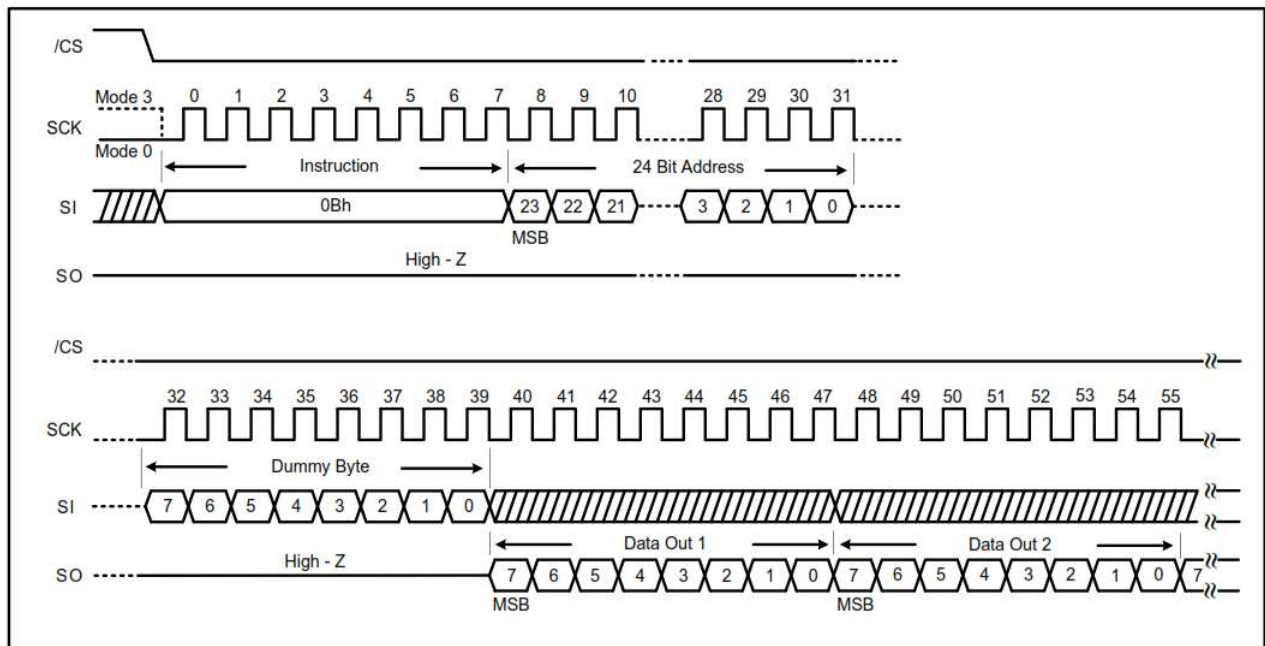
Figure 7-10. Read Data Instruction



7.9 Fast Read (0Bh)

The Fast Read instruction is high speed reading mode that it can operate at the highest possible frequency of F_R . The address is latched on the rising edge of the SCK. After the 24-bit address, this is accomplished by adding “dummy” clocks as shown in Figure 7-11. The dummy clocks means the internal circuits require time to set up the initial address. During the dummy clocks, the data value on the SO pin is a “don’t care”. Data of each bit shifts out on the falling edge of SCK.

Figure 7-11. Fast Read Instruction (SPI Mode)



7.10 Fast Read in QPI Mode

When QPI mode is enabled, the number of dummy clock is configured by the “Set Read Parameters (C0h)” instruction to accommodate wide range applications with different needs for either maximum Fast Read frequency or minimum data access latency. Depending on the Read Parameter Bit P[4] and P[5] setting, the number of dummy clocks can be configured as either 4, or 6 or 8. The default number of dummy clocks upon power up or after a Reset instruction is 4. Refer to Figure 7-12 and Figure 7-13 below.

Figure 7-12. Fast Read instruction (QPI Mode, 80 MHz)

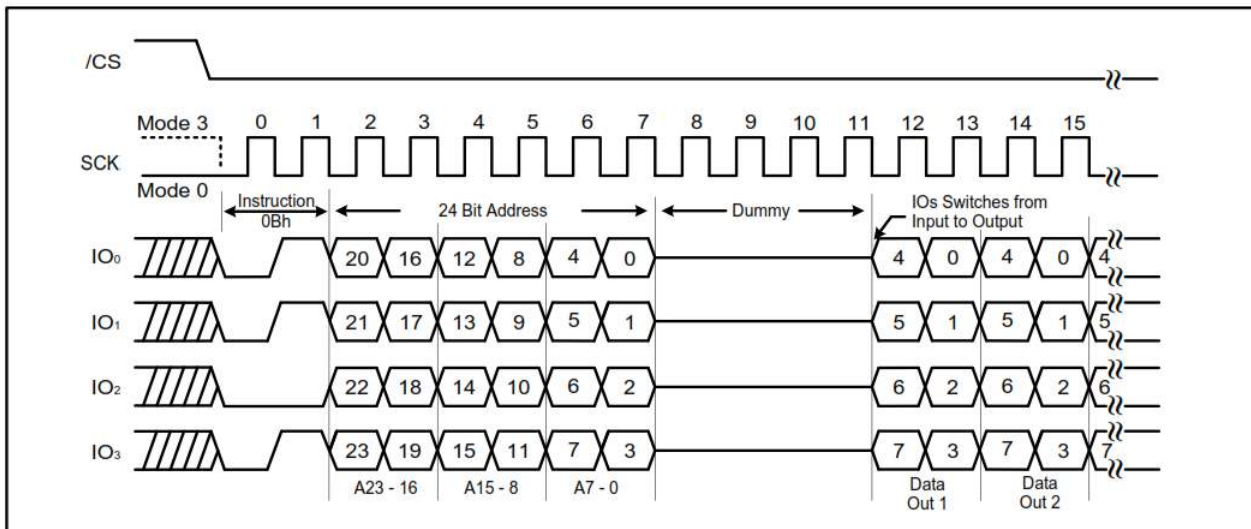
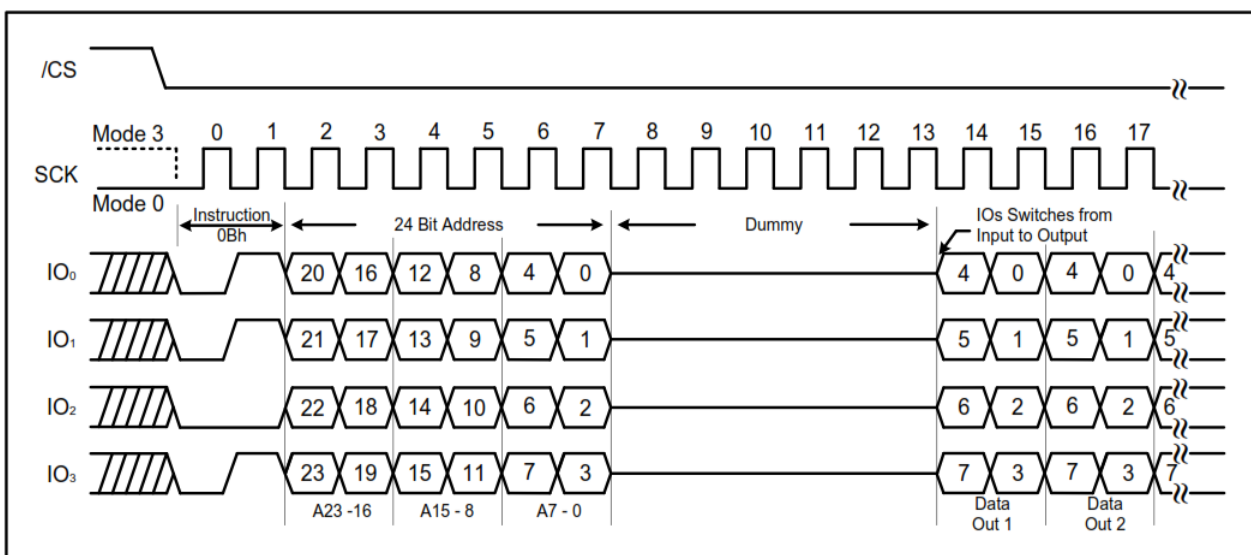


Figure 7-13. Fast Read instruction (QPI Mode, 104 MHz)

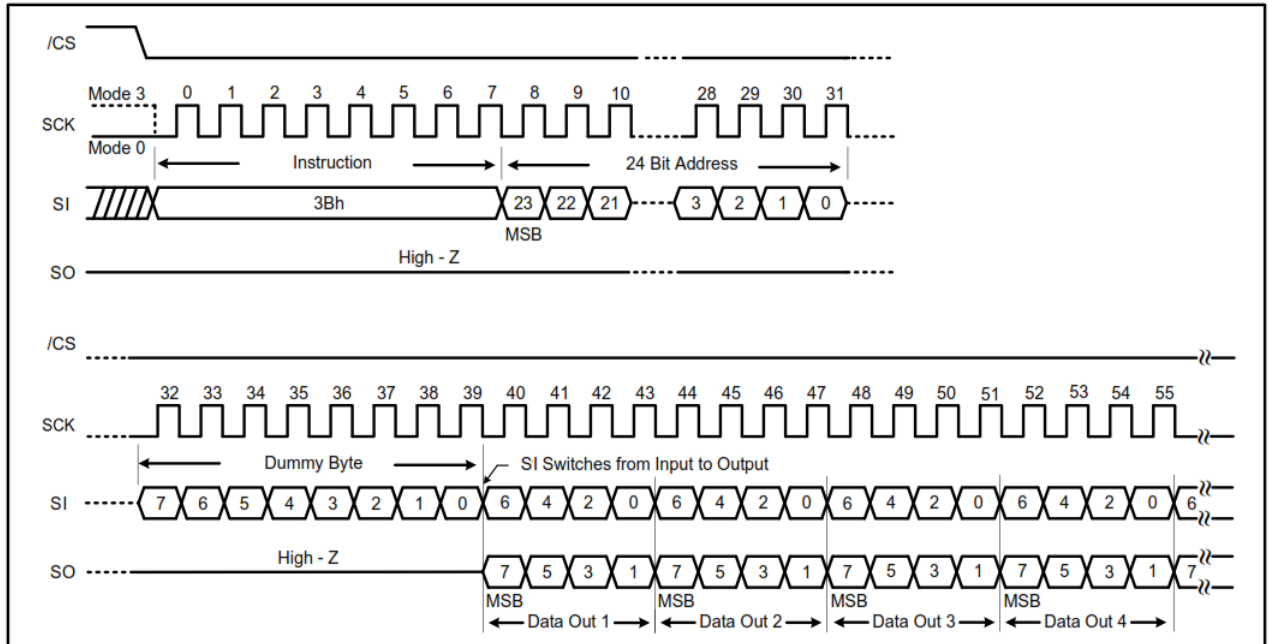


7.11 Fast Read Dual Output (3Bh)

By using two pins (I/O₀ and I/O₁, instead of just I/O₀), The Fast Read Dual Output instruction allows data to be transferred from the AT25QL641 at twice the rate of standard SPI devices. The Fast Read Dual Output instruction is ideal for quickly downloading code from Flash to RAM upon power-up or for application that cache code-segments to RAM for execution.

The Fast Read Dual Output instruction can operate at the highest possible frequency of F_R (see [Table 8-7, AC Electrical Characteristics](#)). After the 24-bit address, this is accomplished by adding eight “dummy” clocks as shown in [Figure 7-14](#). The dummy clocks allow the internal circuits additional time for setting up the initial address. During the dummy clocks, the data value on the SO pin is a “don’t care”. However, the I/O₀ pin should be high-impedance prior to the falling edge of the first data out clock.

Figure 7-14. Fast Read Dual Output instruction (SPI Mode)

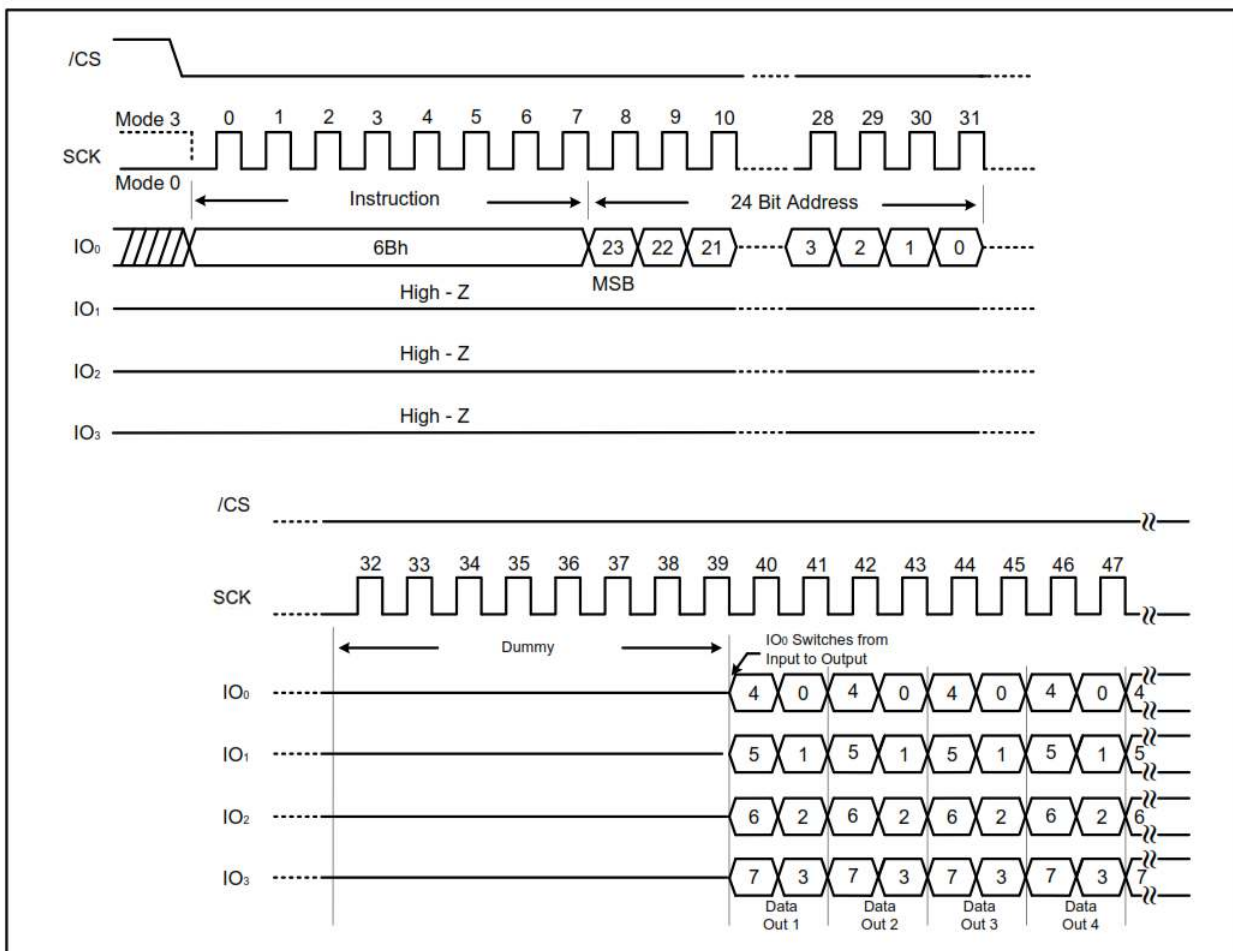


7.12 Fast Read Quad Output (6Bh)

By using four pins (I/O₀, I/O₁, I/O₂, and I/O₃), the 'Fast Read Quad Output' instruction allows data to be transferred from the AT25QL641 at four times the rate of standard SPI devices. A Quad enable of Status Register-2 must be executed before the device accepts the Fast Read Quad Output instruction (Status register bit QE must equal 1).

The 'Fast Read Quad Output' instruction can operate at the highest possible frequency of F_R (see [Table 8-7, AC Electrical Characteristics](#)). This is accomplished by adding eight "dummy" clocks after the 24-bit address as shown in [Figure 7-15](#). The dummy clocks allow the internal circuits additional time for setting up the initial address. During the dummy clocks, the data value on the SO pin is a "don't care". However, the I/O₀ pin should be high-impedance prior to the falling edge of the first data out clock.

Figure 7-15. Fast Read Quad Output Instruction (SPI Mode)



7.13 Fast Read Dual I/O (BBh)

The Fast Read Dual I/O instruction reduces cycle overhead through double access using two I/O pins: IO_0 and IO_1 .

Continuous read mode

The Fast Read Dual I/O instruction can further reduce cycle overhead through setting the Mode bits (M7-0) after the input Address bits (A23-0). The upper nibble of the Mode (M7-4) controls the length of the next Fast Read Dual I/O instruction through the inclusion or exclusion of the first byte instruction code. The lower nibble bits of the Mode (M3-0) are don't care ("X"). However, the I/O pins should be high-impedance prior to the falling edge of the first data out clock.

If the Mode bits (M7-0) equal "Ax" hex, then the next Fast Dual I/O instruction (after \overline{CS} is raised and then lowered) does not require the instruction (BBh) code, as shown in Figure 7-16 and Figure 7-17. This reduces the instruction sequence by eight clocks and allows the address to be immediately entered after \overline{CS} is asserted low. If Mode bits (M7-0) are any value other "Ax" hex, the next instruction (after \overline{CS} is raised and then lowered) requires the first byte instruction code, thus returning to normal operation. A mode bit reset can be used to reset the mode bits (M7-0) before issuing normal instructions.

Figure 7-16. Fast Read Dual I/O Instruction (initial instruction or previous M7-0 \neq Axh)

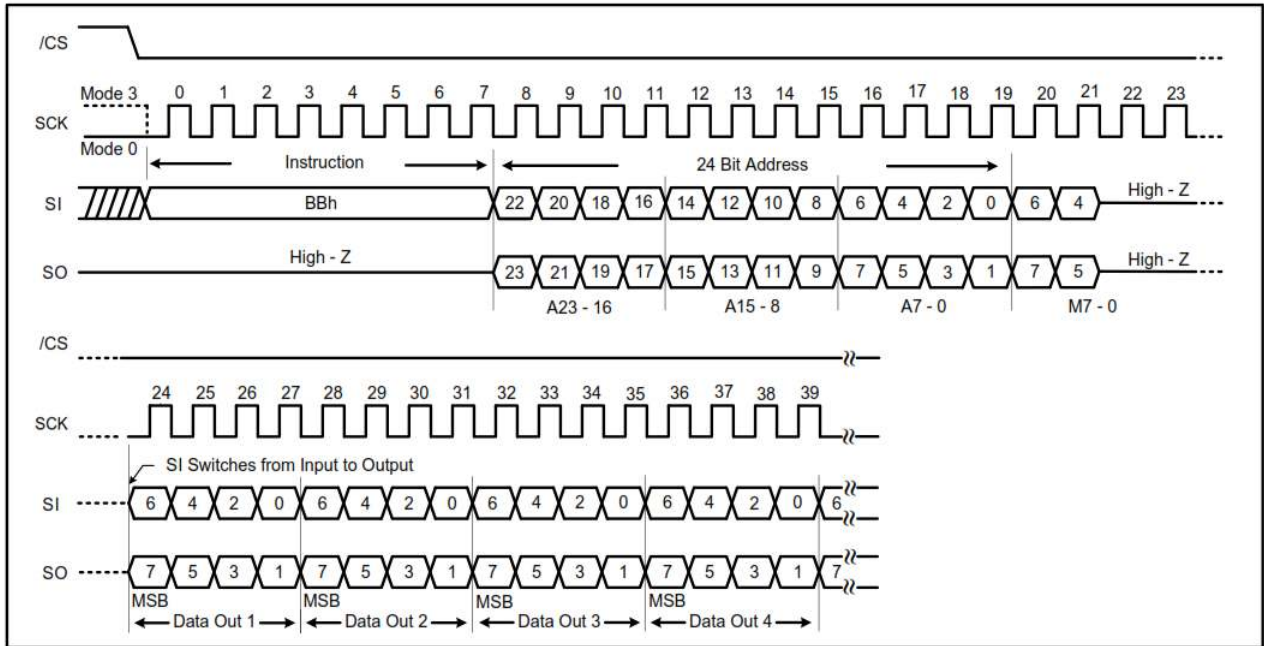
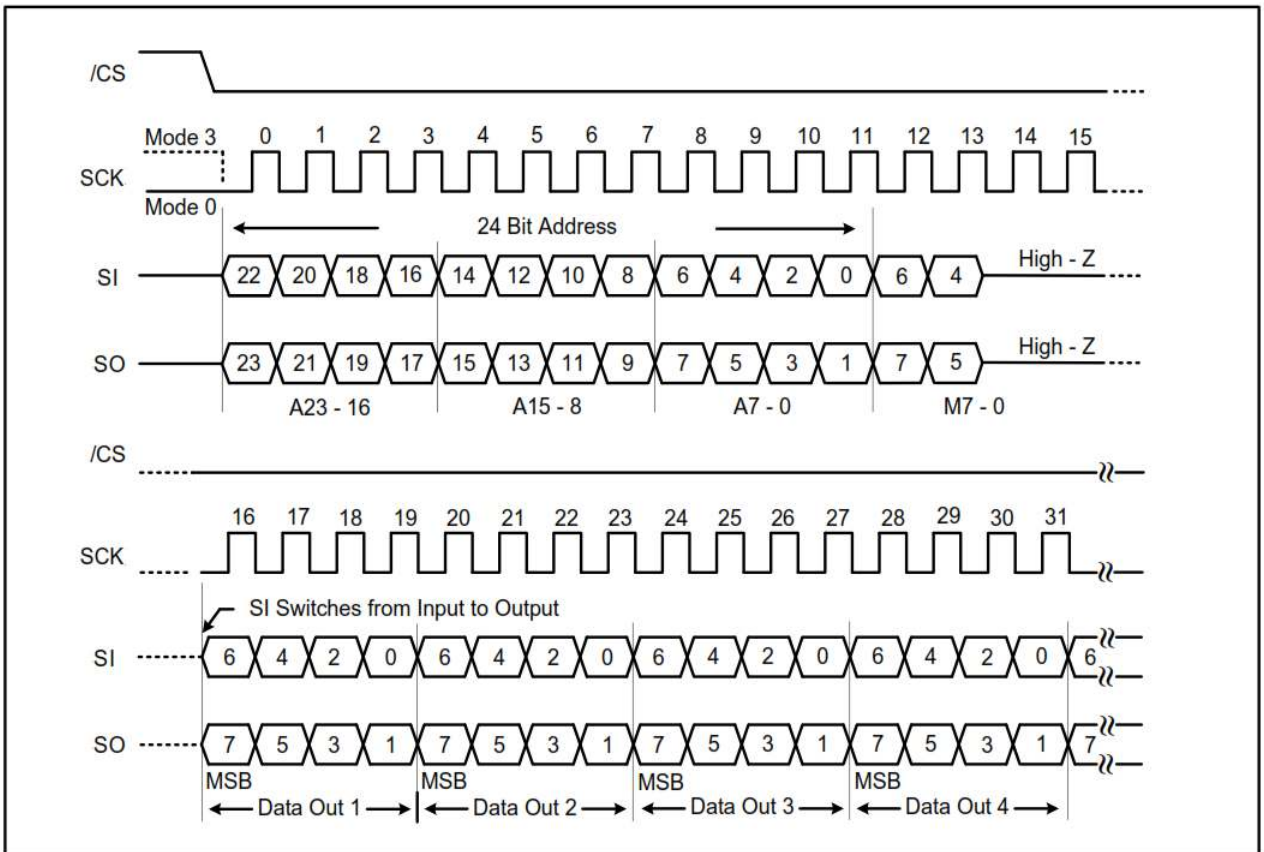


Figure 7-17. Fast Read Dual I/O Instruction (previous M7-0 = Axh)



7.14 Fast Read Quad I/O (EBh)

The Fast Read Quad I/O instruction reduces cycle overhead through quad access using four I/O pins: I/O₀, I/O₁, I/O₂, and I/O₃. The Quad Enable bit (QE) of Status Register-2 must be set to enable the Fast read Quad I/O Instruction.

Continuous read mode

The Fast Read Quad I/O instruction can further reduce instruction overhead through setting the Mode bits (M7-0) with following the input address bits (A23-0), as shown in Figure 7-18. The upper nibble of the mode (M7-4) controls the length of the next 'Fast Read Quad I/O' instruction through the inclusion or exclusion of the first byte instruction code. The lower nibble bits of the Mode (M3-0) are don't care ("X"). However, the I/O pins should be high-impedance prior to the falling edge of the first data out clock.

If the Mode bits (M7-0) equal "Ax" hex, then the next Fast Read Quad I/O instruction (after \overline{CS} is raised and then lowered) does not require the EBh instruction code, as shown in Figure 7-19. This reduces the instruction sequence by eight clocks and allows the address to be immediately entered after \overline{CS} is asserted low. If the Mode bits (M7-0) are any value other than "Ax" hex, the next instruction (after \overline{CS} is raised and then lowered) requires the first byte instruction code, thus retuning normal operation. A Mode Bit Reset can be used to reset Mode Bits (M7-0) before issuing normal instructions.

Figure 7-18. Fast Read Quad I/O Instruction (Initial instruction or previous M7-0 \neq Axh, SPI mode)

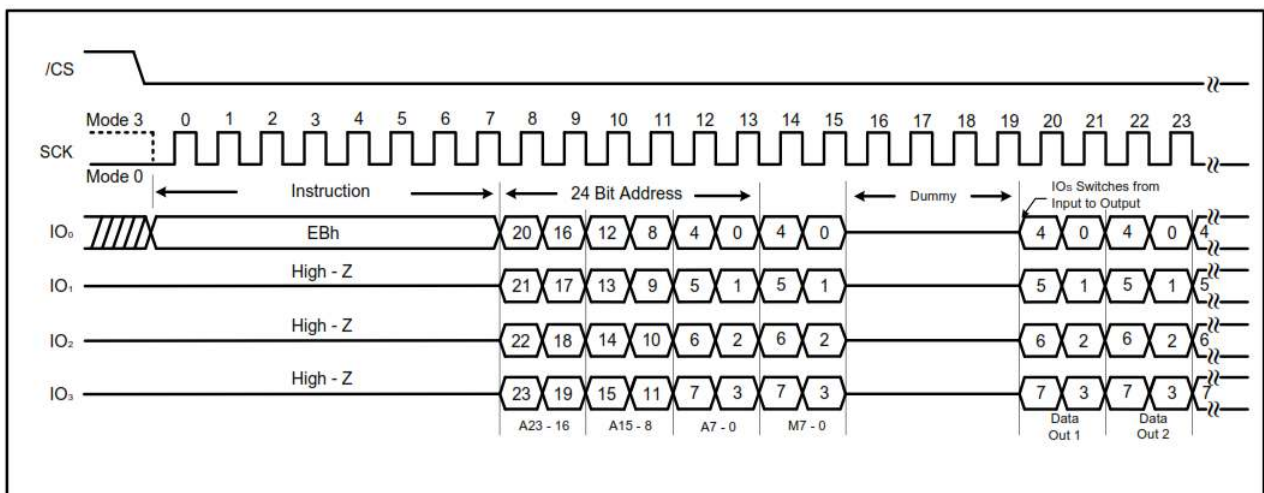
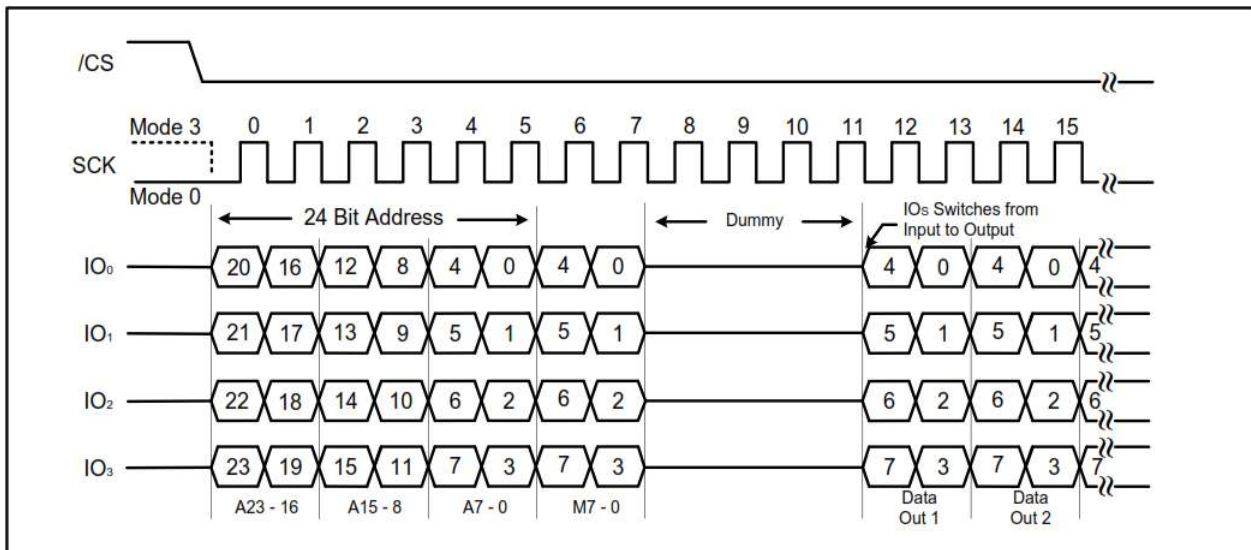


Figure 7-19. Fast Read Quad I/O Instruction (previous M7-0 = Axh, SPI mode)



Wrap Around in SPI mode

The Fast Read Quad I/O instruction can also be used to access specific portion within a page by issuing a ‘Set Burst with Wrap’ (77h) instruction prior to a ‘Fast Read Quad I/O’ (EBh) instruction. The ‘Set Burst with Wrap’ (77h) instruction can either enable or disable the “Wrap Around” feature for the following ‘Fast Read Quad I/O’ instruction.

When “Wrap Around” is enabled, the data being accessed can be limited to an 8/16/32/64-byte section of a 256-byte page. The output data starts at the initial address specified in the instruction, once it reaches the ending boundary of the 8/16/32/64-byte section, the output wraps around to the beginning boundary automatically until \overline{CS} is pulled high to terminate the instruction.

The Burst with Wrap feature allows applications that use cache to quickly fetch a critical address and then fill the cache afterwards within a fixed length (8/16/32/64 bytes) of data without issuing multiple read instructions. (Please refer to [Section 7.32 Set Burst with Wrap](#)).

Fast Read Quad I/O in QPI mode

When QPI mode is enabled, the number of dummy clocks is configured by the ‘Set Read Parameters’ (C0h) instruction to accommodate a wide range applications with different needs for either maximum Fast Read frequency or minimum data access latency. Depending on the state of read parameter bits P[4] and P[5], the number of dummy clocks can be configured as either 4, 6, or 8. The default number of dummy clocks upon power up or after a Reset (99h) instruction is 4.

The “Continuous Read Mode” feature is also available in QPI mode for Fast Read Quad I/O instruction. In QPI mode, the “Continuous Read Mode” bits M7-0 are also considered as dummy clocks. In the default setting, the data output follows the Continuous Read Mode bits immediately.

The “Wrap Around” feature is not available in QPI mode for Fast Read Quad I/O instruction. To perform a read operation with fixed data length wrap around in QPI mode, a ‘Burst Read with Wrap’ (0Ch) instruction must be used. For more information, refer to [Section 7.33, Burst Read with Wrap \(0Ch\)](#).

Figure 7-20. Fast Read Quad I/O Instruction (Initial instruction or previous M7-0 ≠ A_{xh}, QPI mode, 80 MHz)

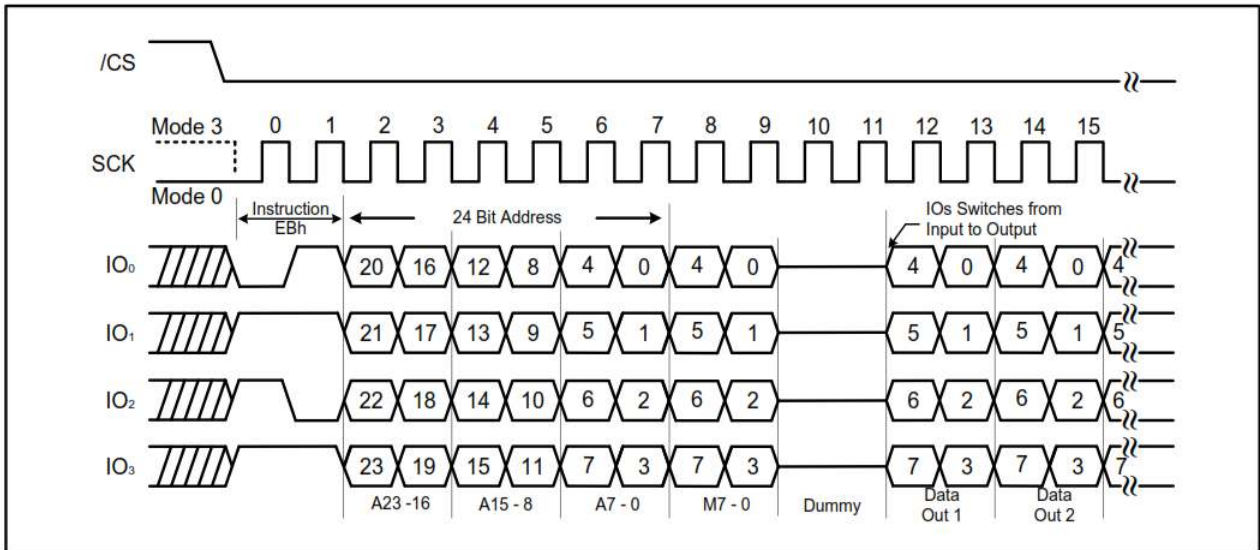
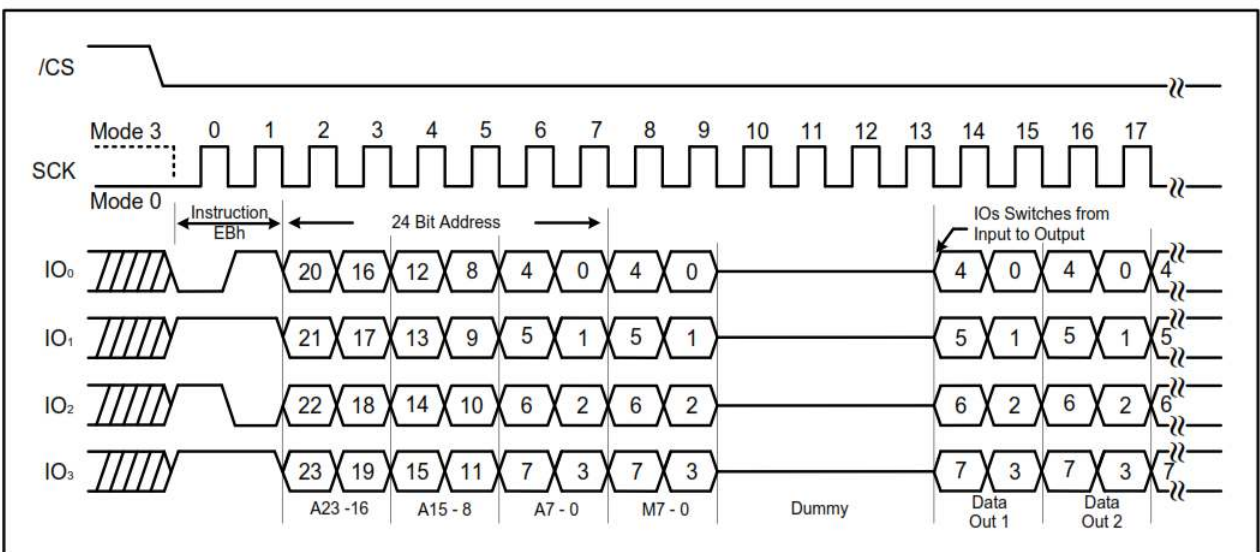


Figure 7-21. Fast Read Quad I/O Instruction (Initial instruction or previous M7-0 ≠ A_{xh}, QPI mode, 133 MHz)



7.15 Page Program (02h)

The Page Program instruction is for programming the memory to be “0”. A Write Enable instruction must be issued before the device accept the Page Program Instruction (Status Register bit WEL= 1). After the Write Enable (WREN) instruction has been decoded, the device sets the Write Enable Latch (WEL). The instruction is entered by driving the $\overline{\text{CS}}$ pin low and then sending the instruction code “02h” with following a 24-bits address (A23-A0) and at least one data byte, into the SI pin. The $\overline{\text{CS}}$ pin must be driven low for the entire time of the instruction while data is being sent to the device. (Please refer to Figure 7-22 and Figure 7-23).

If an entire 256 byte page is to be programmed, the last address byte (the 8 least significant address bits) should be set to 0. If the last address byte is not zero, and the number of clocks exceeds the remaining page length, the addressing wraps around to the beginning of the page. In some cases, less than 256 bytes (a partial page) can be programmed without having any effect on other bytes within the same page. One condition to perform a partial page program is that

the number of clocks cannot exceed the remaining page length. If more than 256 bytes are sent to the device the addressing wraps around to the beginning of the page and overwrites previously sent data.

The \overline{CS} pin must be driven high after the eighth bit of the last byte has been latched. If this is not done, the Page Program instruction is not executed. After \overline{CS} is driven high, the self-timed 'Page Program' instruction commences for a time duration of t_{pp} (see Table 8-7, AC Electrical Characteristics). While the page program operation is in progress, the 'Read Status Register' instruction may still be accessed for checking the status of the BUSY bit. The BUSY bit is a 1 during the Page Program cycle and becomes a 0 when the cycle is finished and the device is ready to accept other instructions again. When the BUSY bit is asserted, the Write Enable Latch (WEL) bit in the Status Register is cleared to 0.

Figure 7-22. Page Program Instruction (SPI Mode)

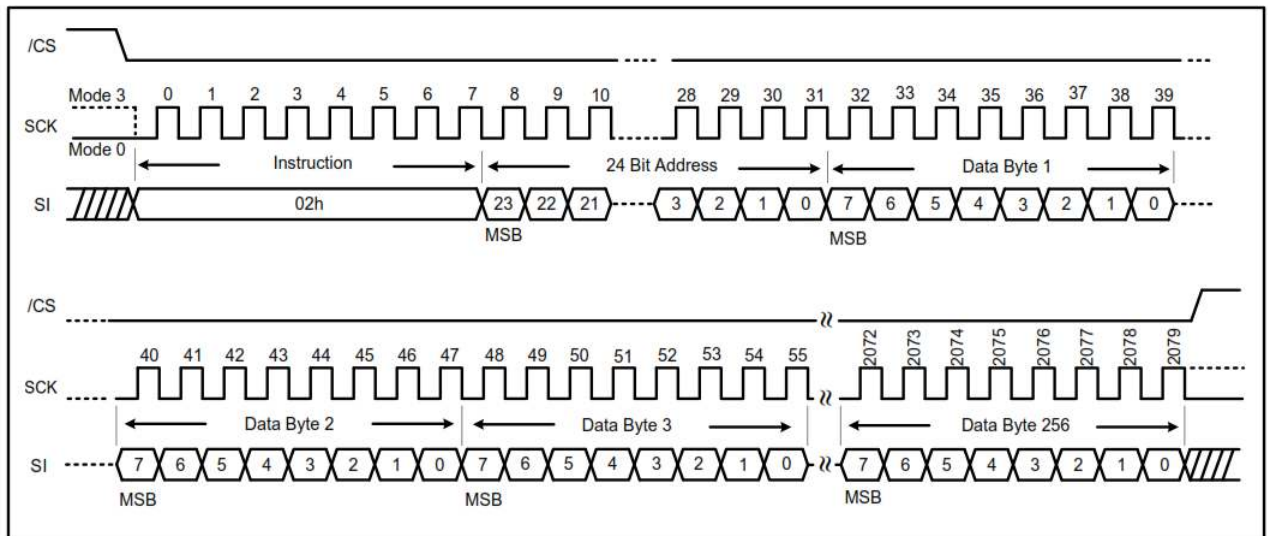
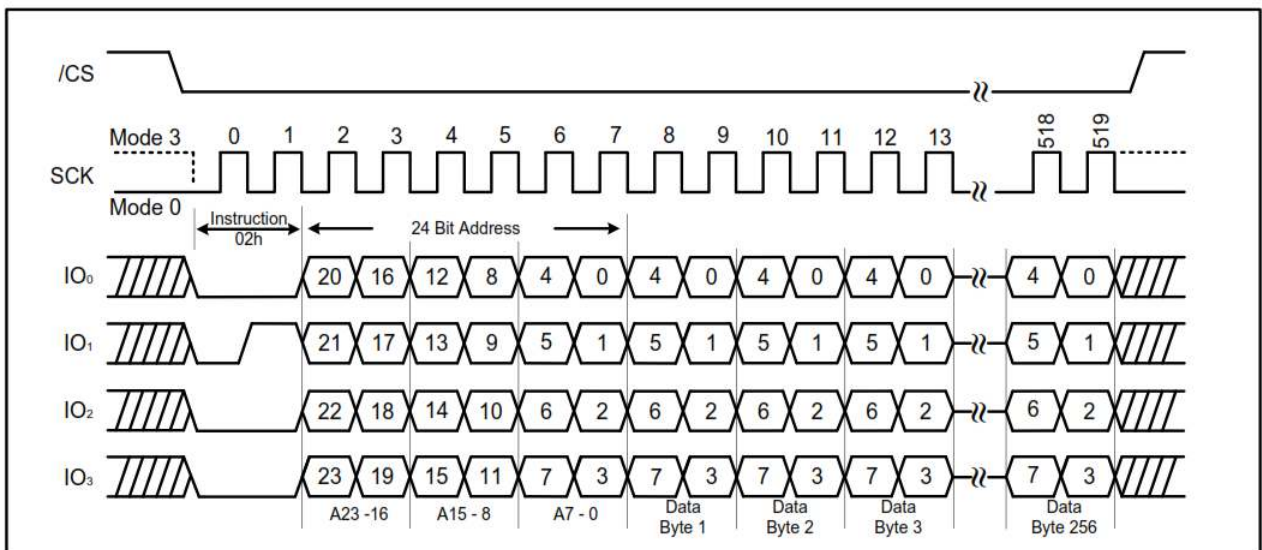


Figure 7-23. Page Program Instruction (QPI Mode)



7.16 Quad Page Program (33h)

The 'Quad Page Program' instruction is to program the memory as being "0" at previously erased memory areas. The 'Quad Page Program' requires four pins: I/O₀, I/O₁, I/O₂ and I/O₃, as address and data inputs, which can improve performance. A system using a faster clock speed does not get more benefit for the Quad Page Program as the required internal page program time is far more than the time data clock-in.

To use 'Quad Page Program' instruction, the Quad Enable bit must be set. A Write Enable instruction must be executed before the device accepts the 'Quad Page Program' instruction (Status Register-1, WEL = 1). The instruction is initiated by driving the \overline{CS} pin low then sending the instruction code "33h" with following a 24-bit address (A23-A0) and at least one data, into the I/O pins. The \overline{CS} pin must be held low for the entire length of the instruction while data is being sent to the device. All other functions of 'Quad Page Program' instruction are the same as the standard 'Page Program' instruction. (Please refer to [Figure 7-24](#) and [Figure 7-25](#)).

Figure 7-24. Quad Page Program Instruction (SPI mode)

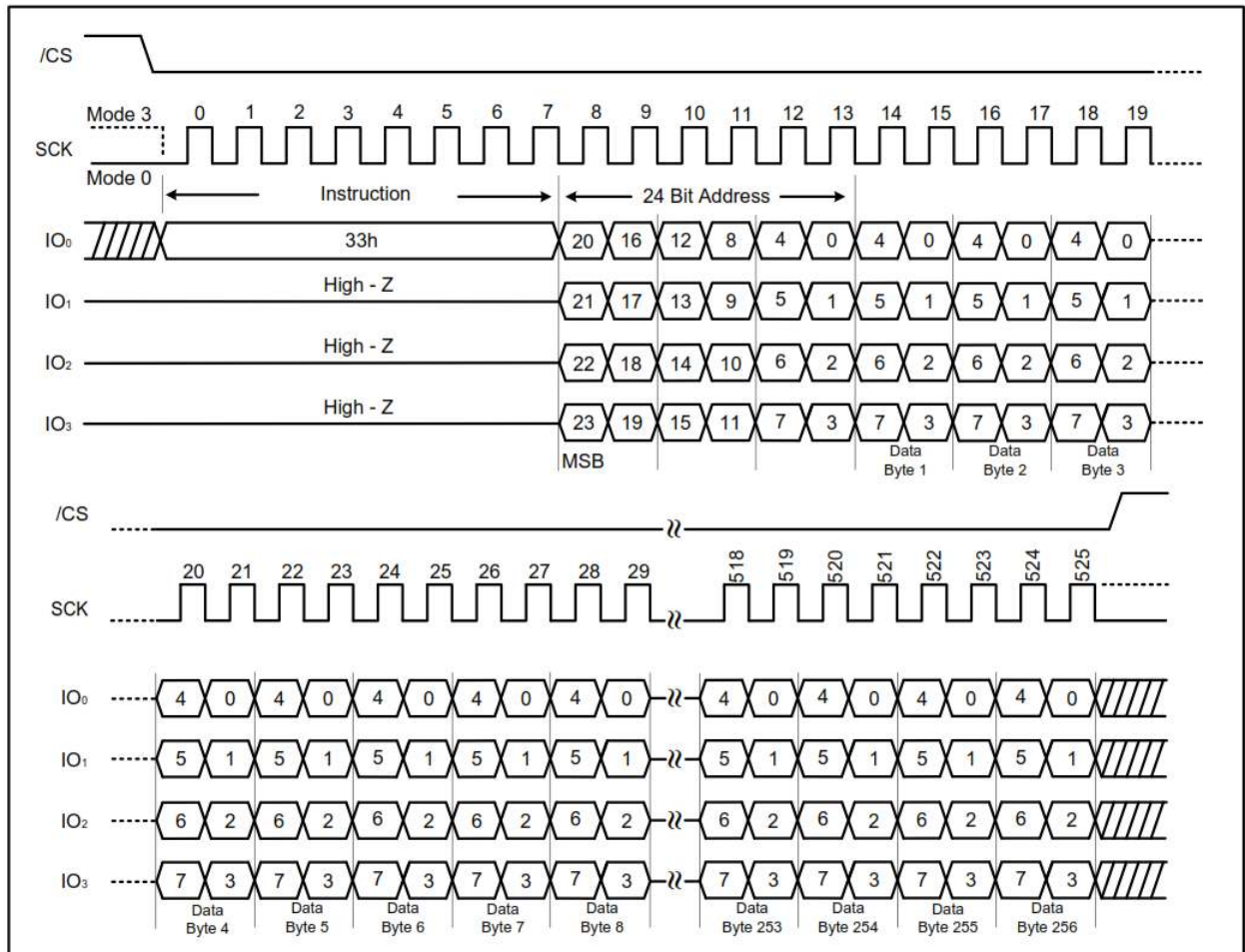
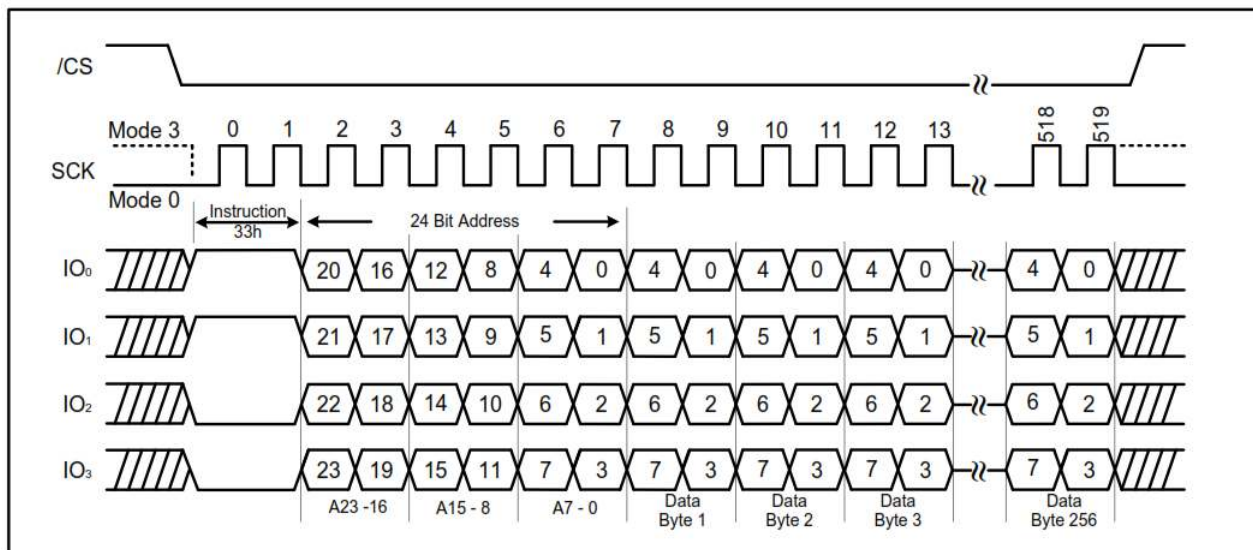


Figure 7-25. Quad Page Program Instruction (QPI mode)



7.17 4 Kbyte Block Erase (20h)

The 'Block Erase' instruction is to erase the data of the selected block as being "1". The instruction is used for 4K-byte block. Prior to the 'Block Erase' instruction, the 'Write Enable' (06h) instruction must be issued. The instruction is initiated by driving the $\overline{\text{CS}}$ pin low and shifting the instruction code "20h" followed a 24-bit block address (A23-A0) as shown in Figure 7-26 and Figure 7-27. The $\overline{\text{CS}}$ pin must go high after the eighth bit of the last byte has been latched in, otherwise the Block Erase instruction is not executed. After $\overline{\text{CS}}$ goes high, the self-timed 'Block Erase' instruction commences for a time duration of t_{SE} (see Table 8-7, AC Electrical Characteristics).

While the block erase operation is in progress, the 'Read Status Register' (05h) instruction may still be accessed for checking the status of the BUSY bit. The BUSY bit is a 1 during the block erase operation and becomes a 0 when the cycle is finished and the device is ready to accept other instructions again. When the BUSY bit is asserted, the Write Enable Latch (WEL) bit in the Status Register is cleared to 0.

Figure 7-26. Block Erase Instruction (SPI Mode)

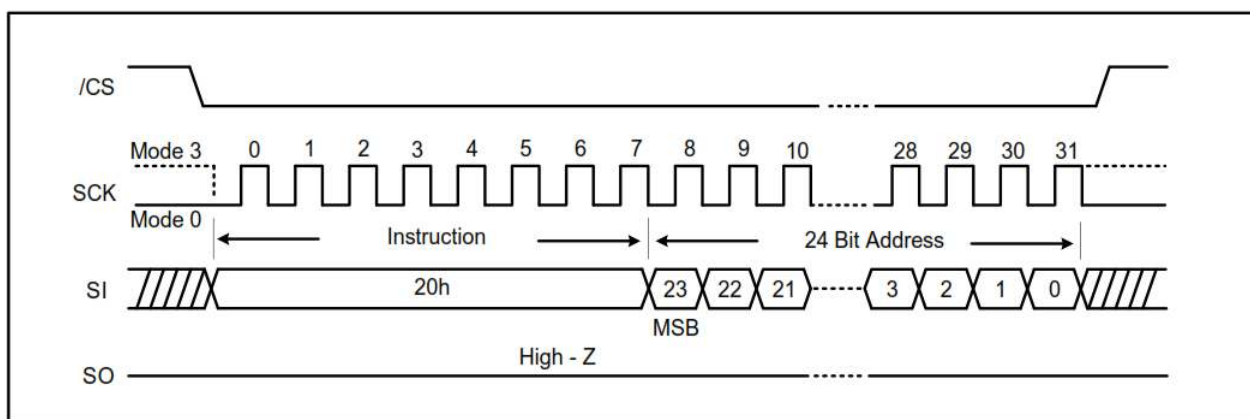
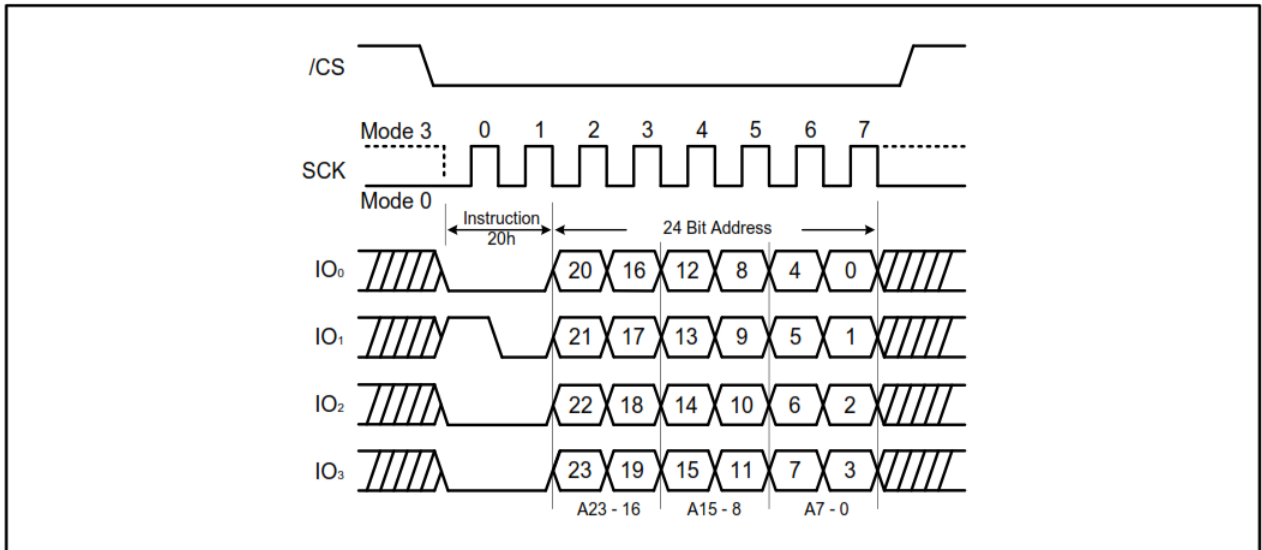


Figure 7-27. Block Erase Instruction (QPI Mode)



7.18 32 Kbyte Block Erase (52h)

The 32 KB 'Block Erase' instruction is used for a 32 Kbyte block erase operation. Prior to the 'Block Erase' Instruction, a 'Write Enable' (06h) instruction must be issued. The instruction is initiated by driving the $\overline{\text{CS}}$ pin low and shifting the instruction code "52h" followed a 24-bit block address (A23-A0). Refer to Figure 7-28 and Figure 7-29 below. The $\overline{\text{CS}}$ pin must go high after the eighth bit of the last byte has been latched in, otherwise the Block Erase instruction is not executed. After $\overline{\text{CS}}$ is driven high, the self-timed Block Erase instruction commences for a time duration of t_{BE1} (see Table 8-7, AC Electrical Characteristics).

While the block erase operation is in progress, the 'Read Status Register' (05h) instruction may still be used to read the status of the BUSY bit. The BUSY bit is a 1 during the block erase operation and becomes a 0 when the cycle is finished and the device is ready to accept other instructions again. When the BUSY bit is asserted, the Write Enable Latch (WEL) bit in the Status Register is cleared to 0.

Figure 7-28. 32KB Block Erase Instruction (SPI Mode)

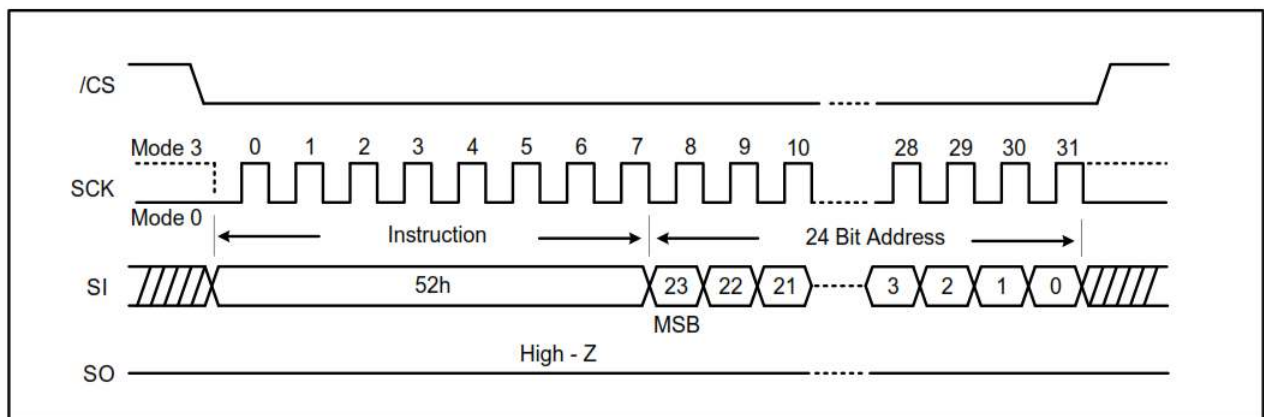
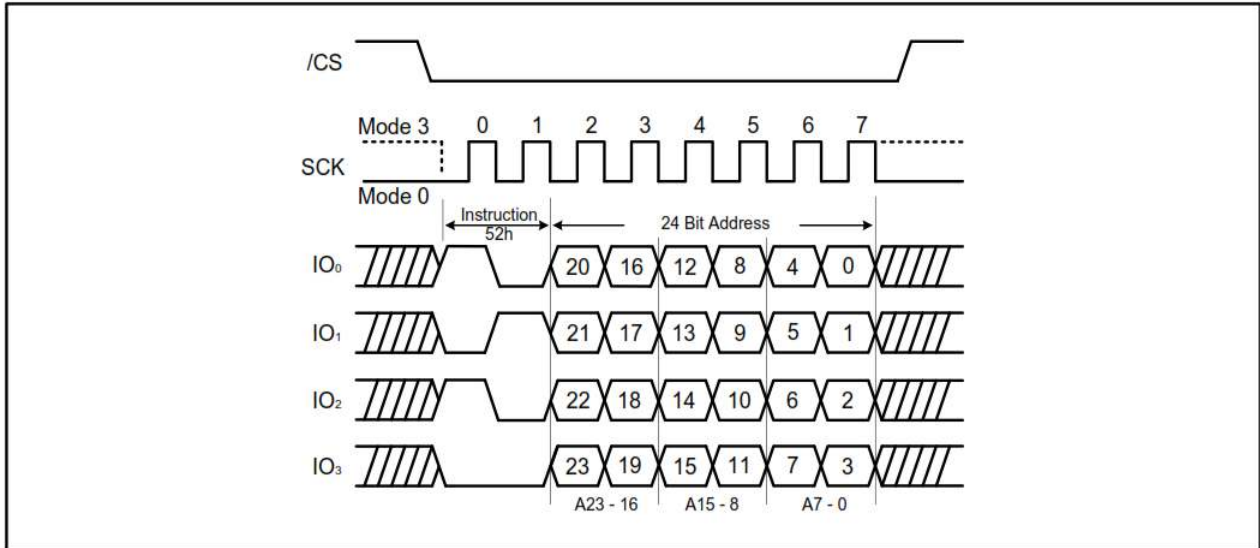


Figure 7-29. 32KB Block Erase Instruction (QPI Mode)



7.19 64 Kbyte Block Erase (D8h)

The 64 KB 'Block Erase' instruction is to erase a 64 Kbyte block of memory. Prior to the Block Erase Instruction, a 'Write Enable' (06h) instruction must be issued. The instruction is initiated by driving the \overline{CS} pin low and shifting the instruction code "D8h" followed a 24-bit block address (A23-A0). Refer to Figure 7-30 and Figure 7-31 below. The \overline{CS} pin must go high after the eighth bit of the last byte has been latched in, otherwise, the Block Erase instruction is not executed. After \overline{CS} is driven high, the self-timed Block Erase instruction commences for a time duration of t_{BE2} (see Table 8-7, AC Electrical Characteristics).

While the block erase operation is in progress, the 'Read Status Register' (05h) instruction may still be used to read the status of the BUSY bit. The BUSY bit is a 1 during the Block Erase cycle and becomes a 0 when the cycle is finished and the device is ready to accept other instructions again. When the BUSY bit is asserted, the Write Enable Latch (WEL) bit in the Status Register is cleared to 0.

Figure 7-30. 64KB Block Erase Instruction (SPI Mode)

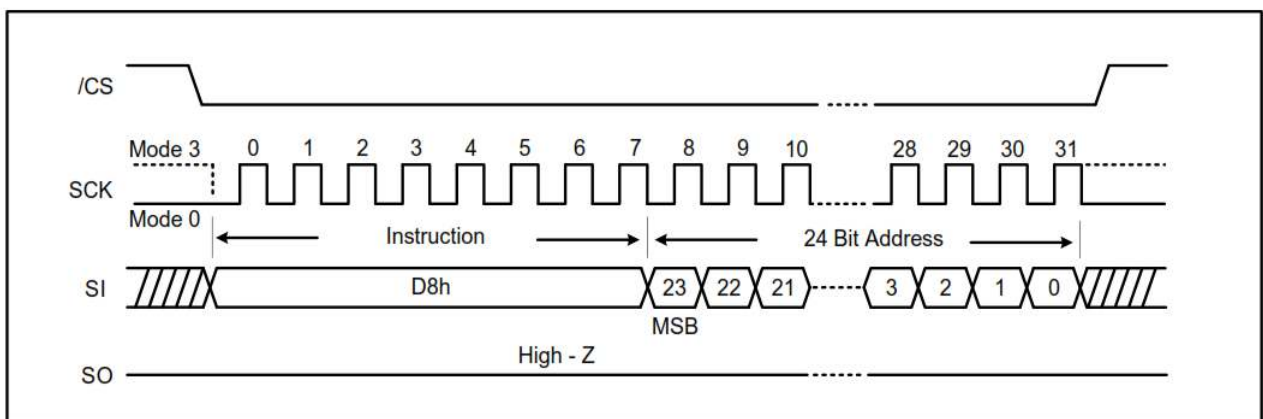
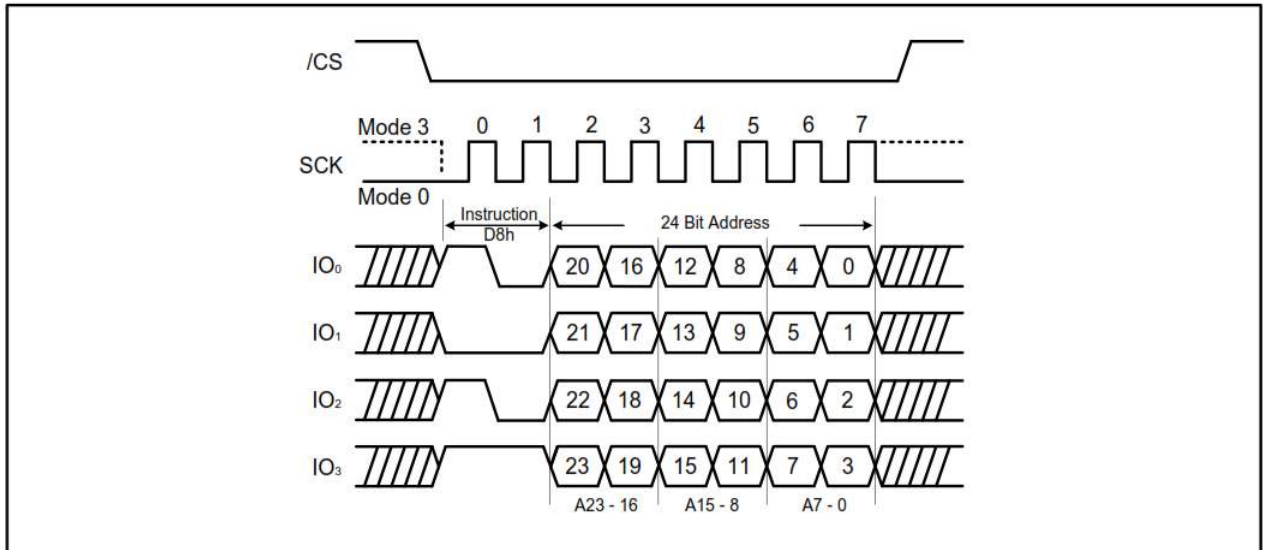


Figure 7-31. 64KB Block Erase Instruction (QPI Mode)

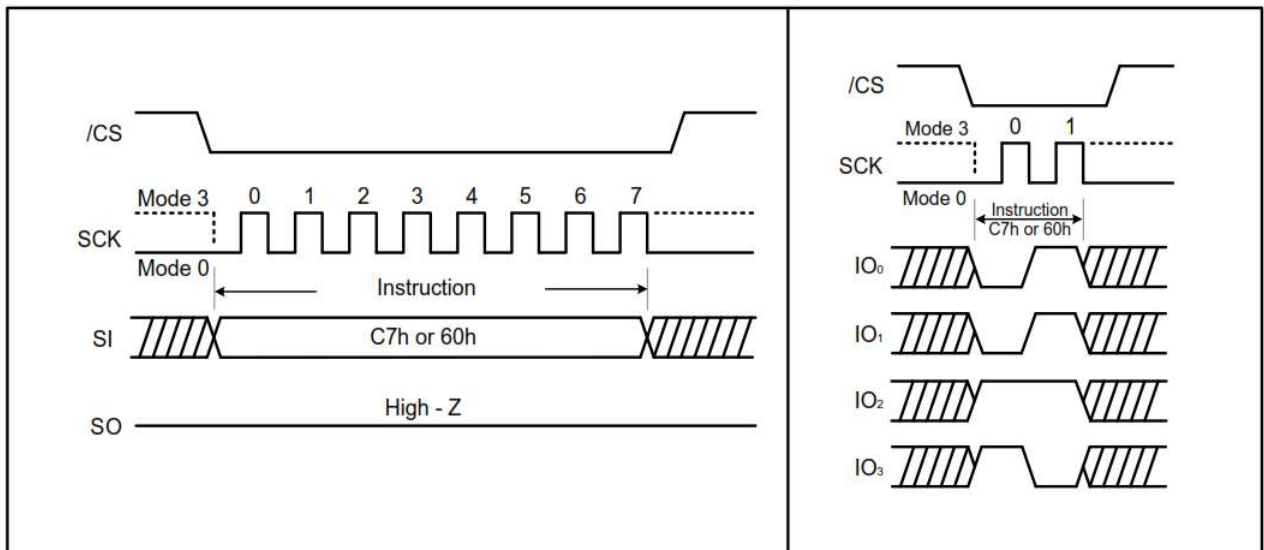


7.20 Chip Erase (C7h / 60h)

The 'Chip Erase' instruction sets all bits in the memory to 1. Prior to the 'Chip Erase' instruction, a 'Write Enable' (06h) instruction must be issued. The instruction is initiated by driving the \overline{CS} pin low and shifting the instruction code "C7h" or "60h". Refer to Figure 7-32 below. The \overline{CS} pin must go high after the eighth bit of the last byte has been latched in, otherwise, the Chip Erase instruction is not executed. After \overline{CS} is driven high, the self-timed Chip Erase instruction commences for a duration of t_{CE} (see Table 8-7, AC Electrical Characteristics).

While the chip erase operation is in progress, the 'Read Status Register' (05h) instruction may still be accessed to check the status of the BUSY bit. The BUSY bit is a 1 during the chip erase operation and becomes a 0 when the cycle is finished and the device is ready to accept other instructions again. When the BUSY bit is asserted, the Write Enable Latch (WEL) bit in the Status Register is cleared to 0.

Figure 7-32. Chip Erase Instruction for SPI Mode (left) and QPI Mode (right)



7.21 Erase / Program Suspend (75h)

The 'Erase/Program Suspend' instruction allows the system to interrupt a Block Erase operation, or a Page Program, Quad Data Input Page Program, Quad Page Program operation.

The Erase Suspend is valid only during the Block or Block erase operation. The Write Status Register-1 (01h), Write Status Register-2 (31h) instruction and Erase instructions (20h, 52h, D8h, C7h, 60h) are not allowed during an Erase Suspend operation. During the Chip Erase operation, the Erase Suspend instruction is ignored.

Program Suspend is valid only during the Page Program, Quad Data Input Page Program or Quad Page Program operation. The Write Status Register-1 (01h), Write Status Register-2 (31h) instruction, Program instructions (02h and 33h) and Erase Instructions (20h, 52h, D8h, C7h, 60h) are not allowed during Program Suspend.

The Erase/Program Suspend instruction "75h" is accepted by the device only if the SUS bit in the Status Register equals to 0 and the BUSY bit equals to 1 while a Block Erase or a Page Program operation is on-going. If the SUS bit equals to 1 or the BUSY bit equals to 0, the Suspend instruction is ignored by the device. A maximum time of " t_{SUS} " (see [Table 8-7, AC Electrical Characteristics](#)) is required to suspend the erase or program operation. After Erase/Program Suspend, the SUS bit in the Status Register is set (0 to 1) immediately and the BUSY bit in the Status Register is cleared (1 to 0) within " t_{SUS} ". For a previously resumed Erase/Program operation, it is also required that the Suspend instruction "75h" is not issued earlier than a minimum of time of " t_{SUS} " following the preceding Resume instruction "7Ah".

Unexpected power off during the Erase/Program suspend state resets the device and release the suspend state. The SUS bit in the Status Register also resets to 0. The data within the page, or block that was being suspended may become corrupted. It is recommended for the user to implement system design techniques against the accidental power interruption and preserve data integrity during erase/program suspend state. (Please refer to [Figure 7-33](#) and [Figure 7-34](#)).

Figure 7-33. Erase Suspend Instruction (SPI Mode)

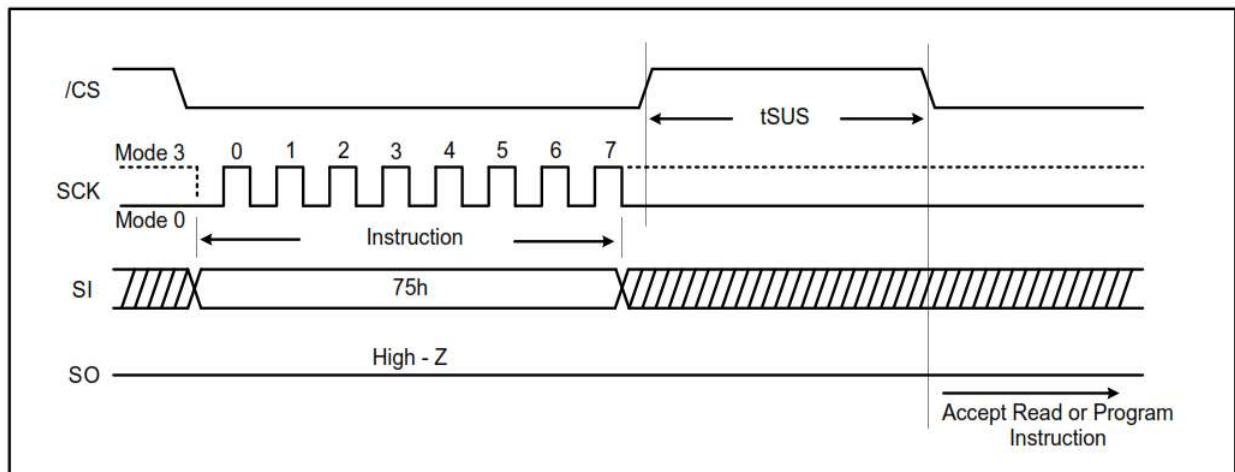
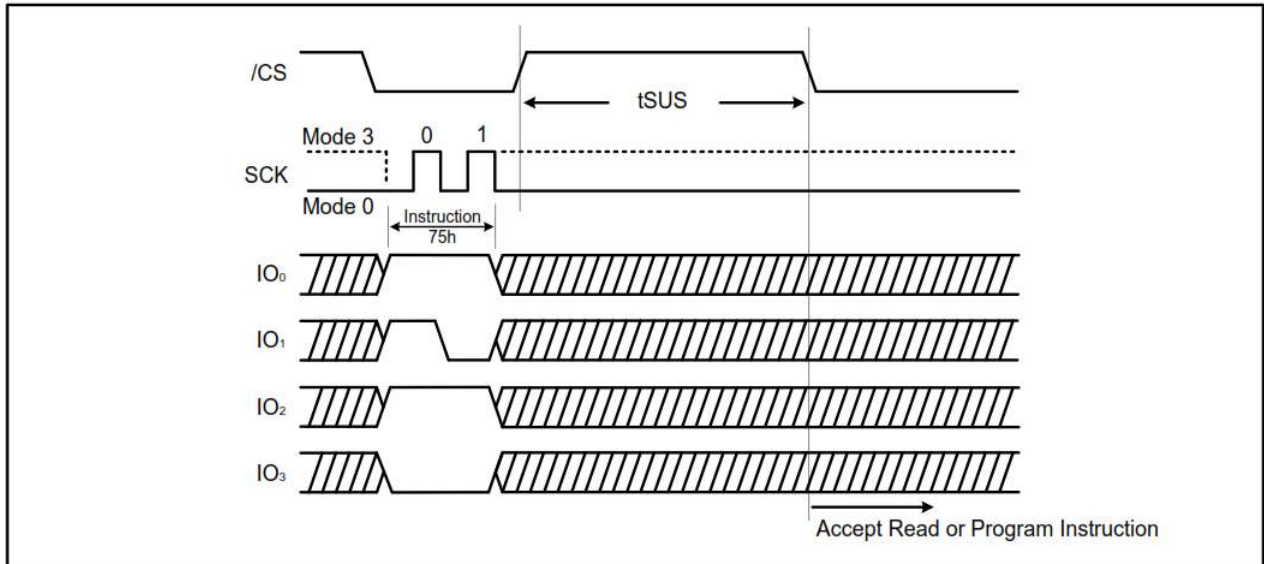


Figure 7-34. Erase Suspend Instruction (QPI Mode)



7.22 Erase / Program Resume (7Ah)

The Erase/Program Resume instruction “7Ah” is to restart the Block Erase operation or the Page Program operation upon an Erase/Program Suspend. The Resume instruction “7Ah” is accepted by the device only if the SUS bit in the Status Register equals to 1 and the BUSY bit equals to 0. After the instruction is issued, the SUS bit is cleared immediately, the BUSY bit is set within 200 ns, and the block completes the erase operation, or the page completes the program operation. If the SUS bit equals to 0 or the BUSY bit equals 1, the Resume instruction “7Ah” is ignored by the device.

Resume instruction cannot be accepted if the previous Erase/Program Suspend operation was interrupted by unexpected power off. It is also required that a subsequent Erase/Program Suspend instruction not to be issued within a minimum of time of “ t_{SUS} ” following a previous Resume instruction. Refer to [Figure 7-35](#) and [Figure 7-36](#) below.

Figure 7-35. Erase / Program Resume Instruction (SPI Mode)

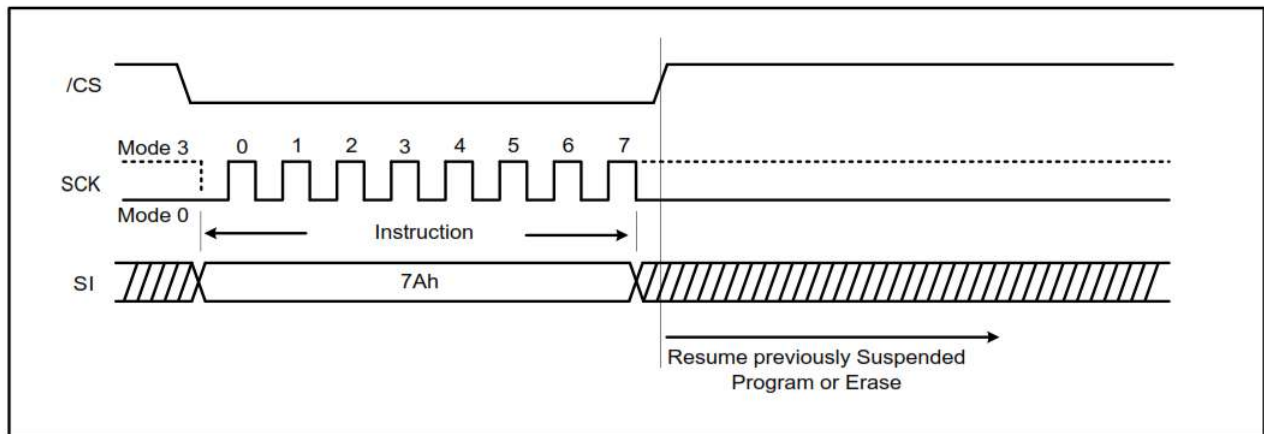
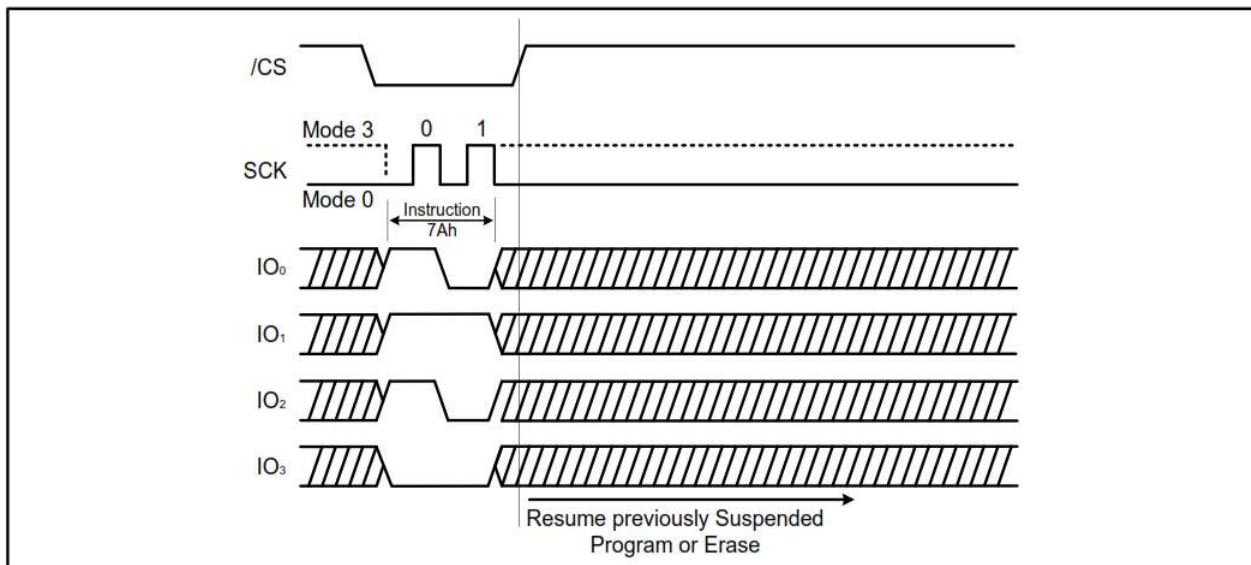


Figure 7-36. Erase / Program Resume Instruction (QPI Mode)



7.23 Deep Power Down (B9h)

Executing the Deep Power Down instruction is the best way to put the device in the lowest power consumption. The Deep Power Down instruction reduces the standby current (from I_{CC1} to I_{CC2} , as specified in [Table 8-7, AC Electrical Characteristics](#)). The instruction is entered by driving the $\overline{\text{CS}}$ pin low with following the instruction code “B9h”. Refer to [Figure 7-37](#) and [Figure 7-38](#) below.

The $\overline{\text{CS}}$ pin must go high exactly at the byte boundary (the latest eighth bit of instruction code been latched-in); otherwise, the Deep Power Down instruction is not executed. After $\overline{\text{CS}}$ goes high, it requires a delay of t_{DP} and the Deep Power Down mode is entered. While in the Deep Power Down state, the ‘Release Deep Power Down / Device ID’ (ABh) instruction, which restores the device to normal operation, will be recognized. All other instructions are ignored, including the ‘Read Status Register’ (05h) instruction, which is always available during normal operation.

Figure 7-37. Deep Power Down Instruction (SPI Mode)

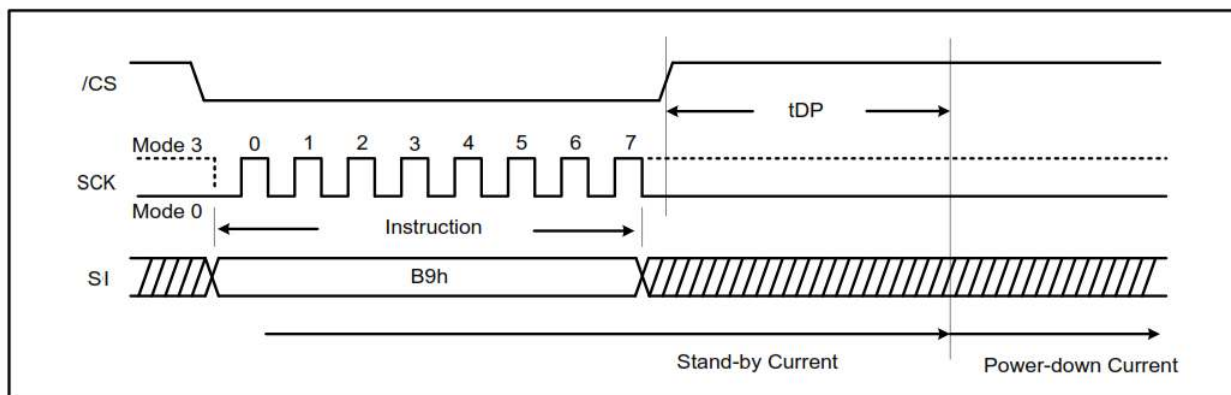
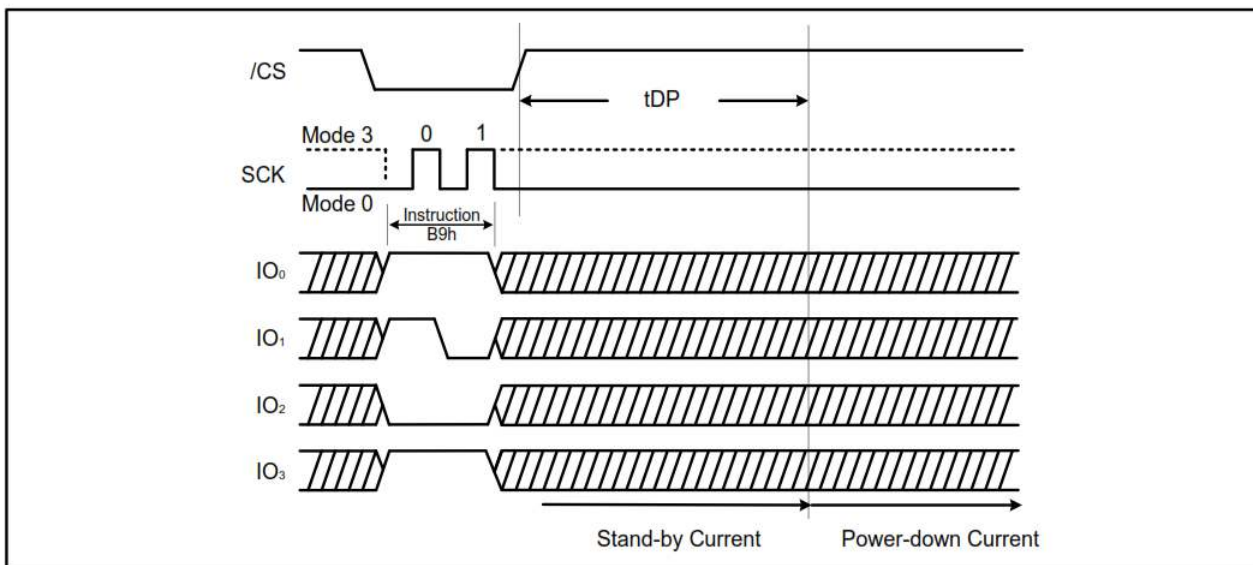


Figure 7-38. Deep Power Down Instruction (QPI Mode)



7.24 Release Deep Power Down / Device ID (ABh)

The 'Release Deep Power Down / Device ID' instruction is a multi-purpose instruction. It can be used to release the device from the Deep Power Down state and also obtain the device identification (ID).

The instruction is issued by driving the \overline{CS} pin low, sending the instruction code "ABh" and driving \overline{CS} high as shown in Figure 7-39 and Figure 7-40. The 'Release from Deep Power Down' instruction requires the time duration of t_{RES1} (see Table 8-7, AC Electrical Characteristics). The \overline{CS} pin must keep high during the t_{RES1} time duration.

The Device ID can be read during SPI mode only. In other words, Device ID feature is not available in QPI mode for Release Deep Power Down/Device ID instruction. To obtain the Device ID in SPI mode, the instruction is initiated by driving the \overline{CS} pin low and sending the instruction code "ABh" with following 3-dummy bytes. The Device ID bits are then shifted on the falling edge of SCK with most significant bit (MSB) first as shown in Figure 7-41. After \overline{CS} is driven high it must keep high for a time duration of t_{RES2} (See Table 8-7, AC Electrical Characteristics). The Device ID can be read continuously. The instruction is completed by driving \overline{CS} high.

If the 'Release from Deep Power Down /Device ID' instruction is issued while an Erase, Program or Write cycle is in process (when BUSY equals 1) the instruction is ignored and does not have any effects on the current cycle.

Figure 7-39. Release Power Down Instruction (SPI Mode)

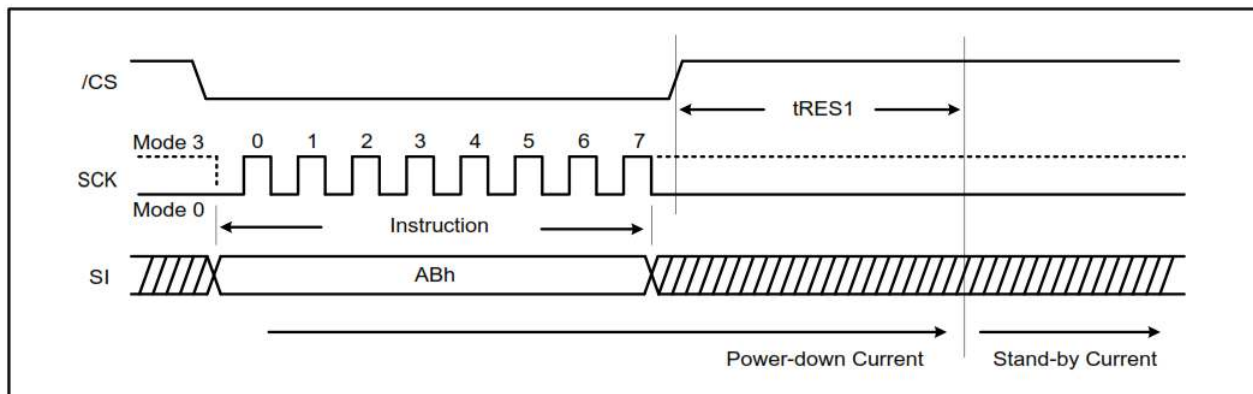


Figure 7-40. Release Power Down Instruction (QPI Mode)

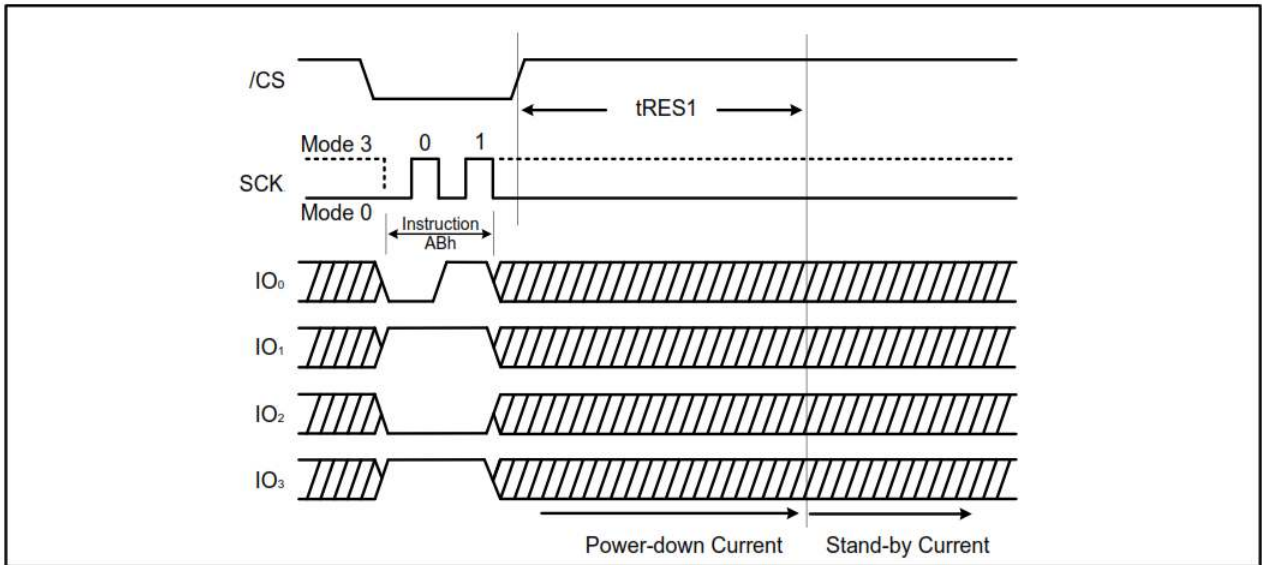
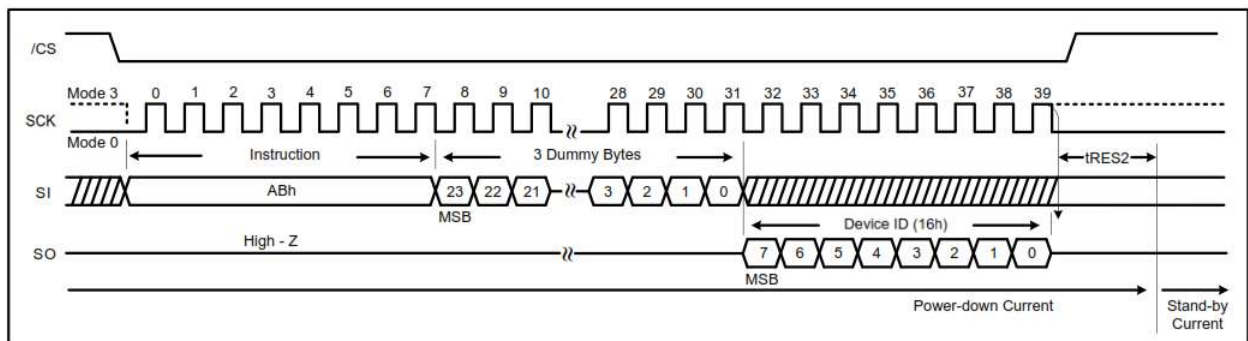


Figure 7-41. Release Power Down / Device ID Instruction (SPI Mode)



7.25 Read Manufacturer / Device ID Dual I/O (90h)

The 'Read Manufacturer/ Device ID Dual I/O' instruction provides both the JEDEC assigned manufacturer ID and the specific device ID.

The Read Manufacturer/ Device ID instruction is very similar to the Fast Read Dual I/O instruction. The instruction is initiated by driving the \overline{CS} pin low and shifting the instruction code "90h" followed by a 24-bit address (A23-A0) of 000000h. After which, the Manufacturer ID for Adesto (1Fh) and the Device ID (16h) are shifted out on the falling edge of SCK with most significant bit (MSB) first as shown in Figure 7-42 and Figure 7-43. If the 24-bit address is initially set to 000001h, the Device ID is read first and then followed by the Manufacturer ID. The Manufacturer and Device ID can be read continuously, alternating from one to the other. The instruction is completed by driving CS high.

Figure 7-42. Read Manufacturer/ Device ID Instruction (SPI Mode)

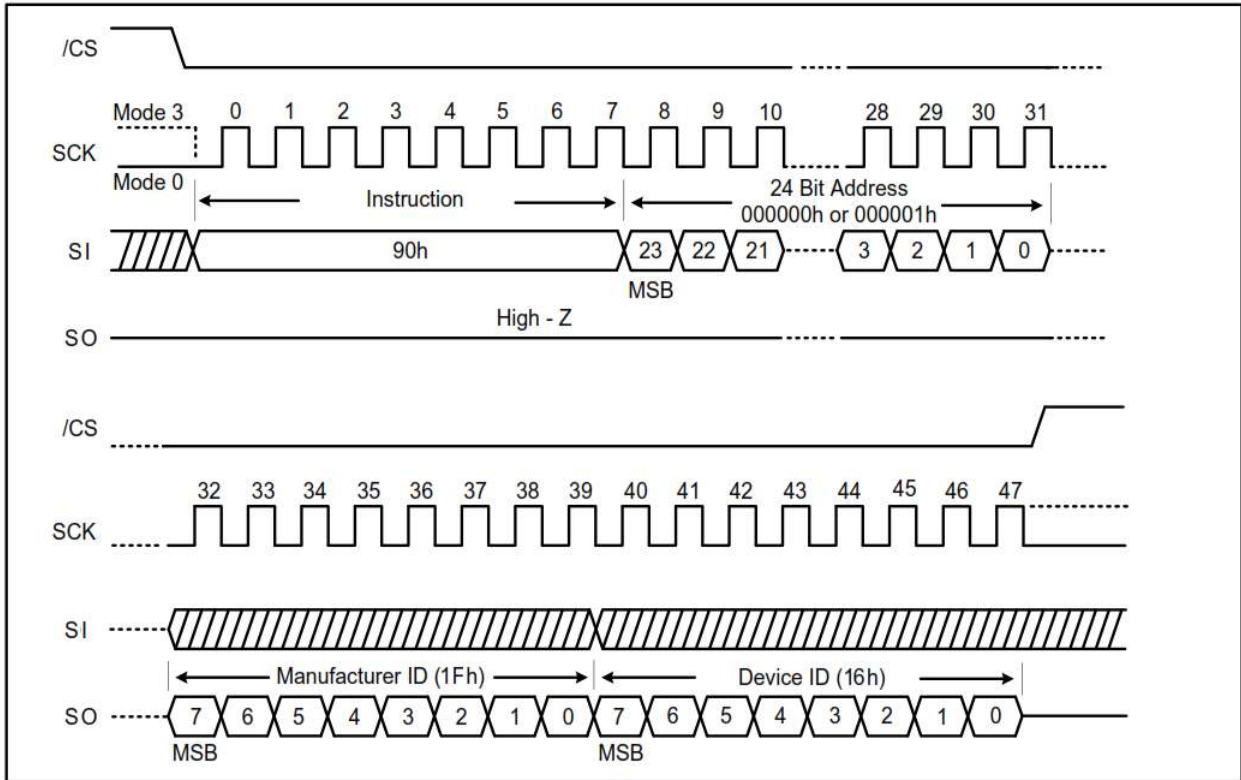
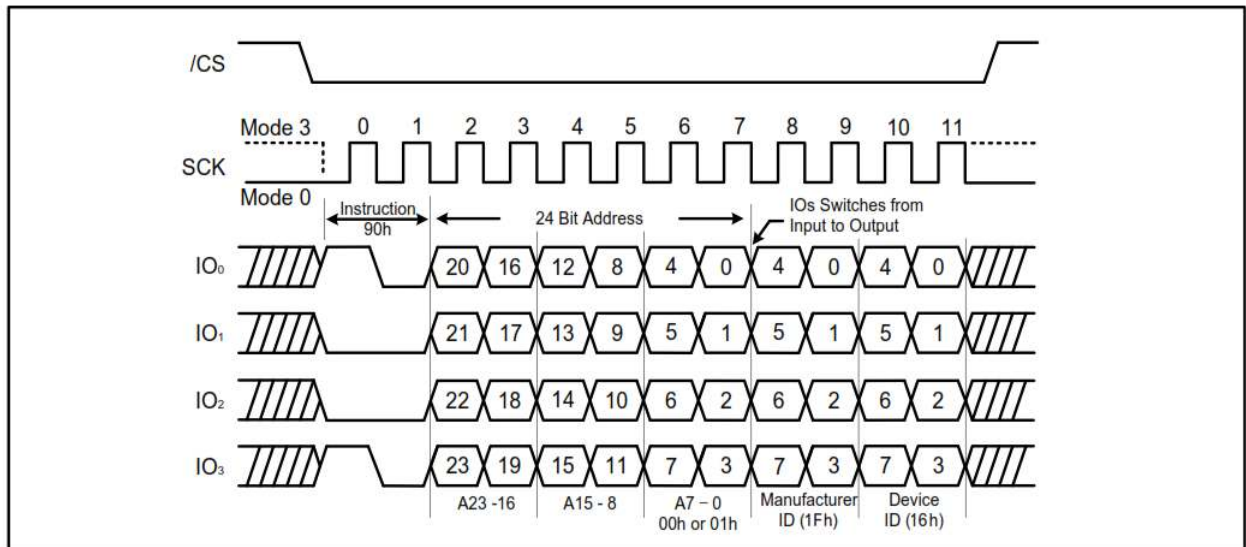


Figure 7-43. Read Manufacturer/ Device ID Instruction (QPI Mode)

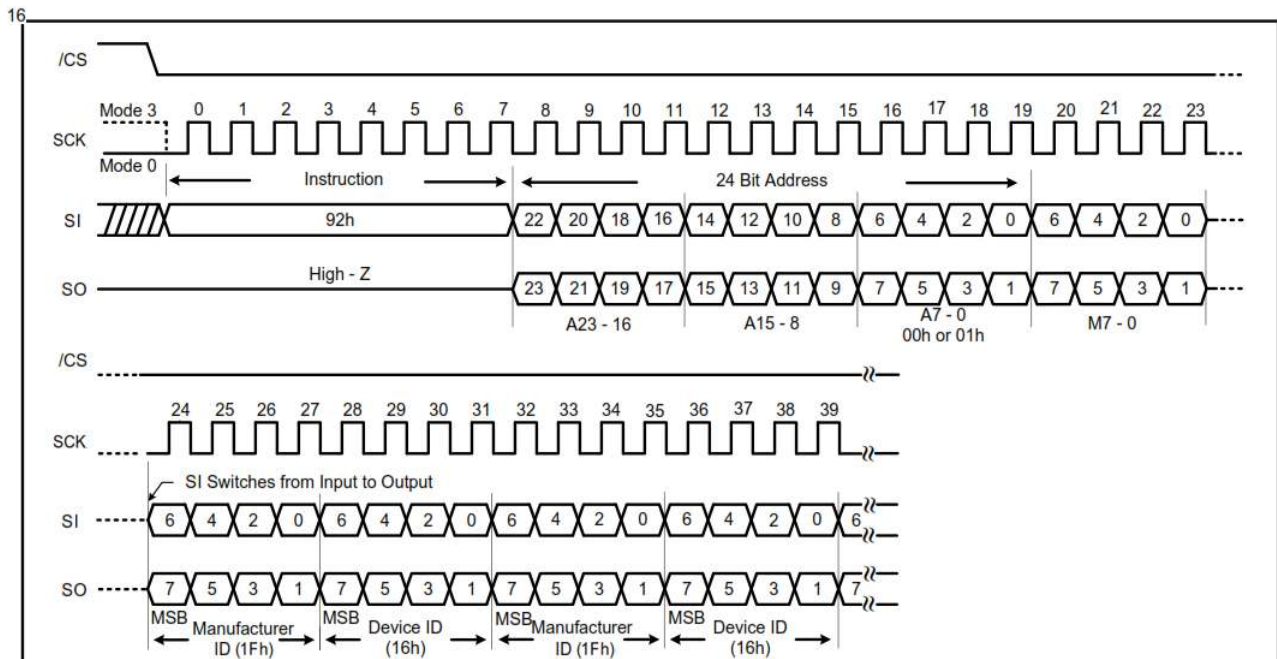


7.26 Read Manufacturer / Device ID Dual I/O (92h)

The Read Manufacturer/ Device ID Dual I/O instruction provides both the JEDEC assigned manufacturer ID and the specific device ID.

The Read Manufacturer/ Device ID instruction is very similar to the Fast Read Dual I/O instruction. The instruction is initiated by driving the \overline{CS} pin low and shifting the instruction code “92h” followed by a 24-bit address (A23-A0) of 000000h. After which, the Manufacturer ID for Adesto (1Fh) and the Device ID (17h) are shifted out on the falling edge of SCK with most significant bit (MSB) first as shown in Figure 7-44. If the 24-bit address is initially set to 000001h the Device ID is read first and then followed by the Manufacturer ID. The Manufacturer and Device ID can be read continuously, alternating from one to the other. The instruction is completed by driving \overline{CS} high.

Figure 7-44. Read Dual Manufacturer/ Device ID Dual I/O Instruction (SPI Mode)

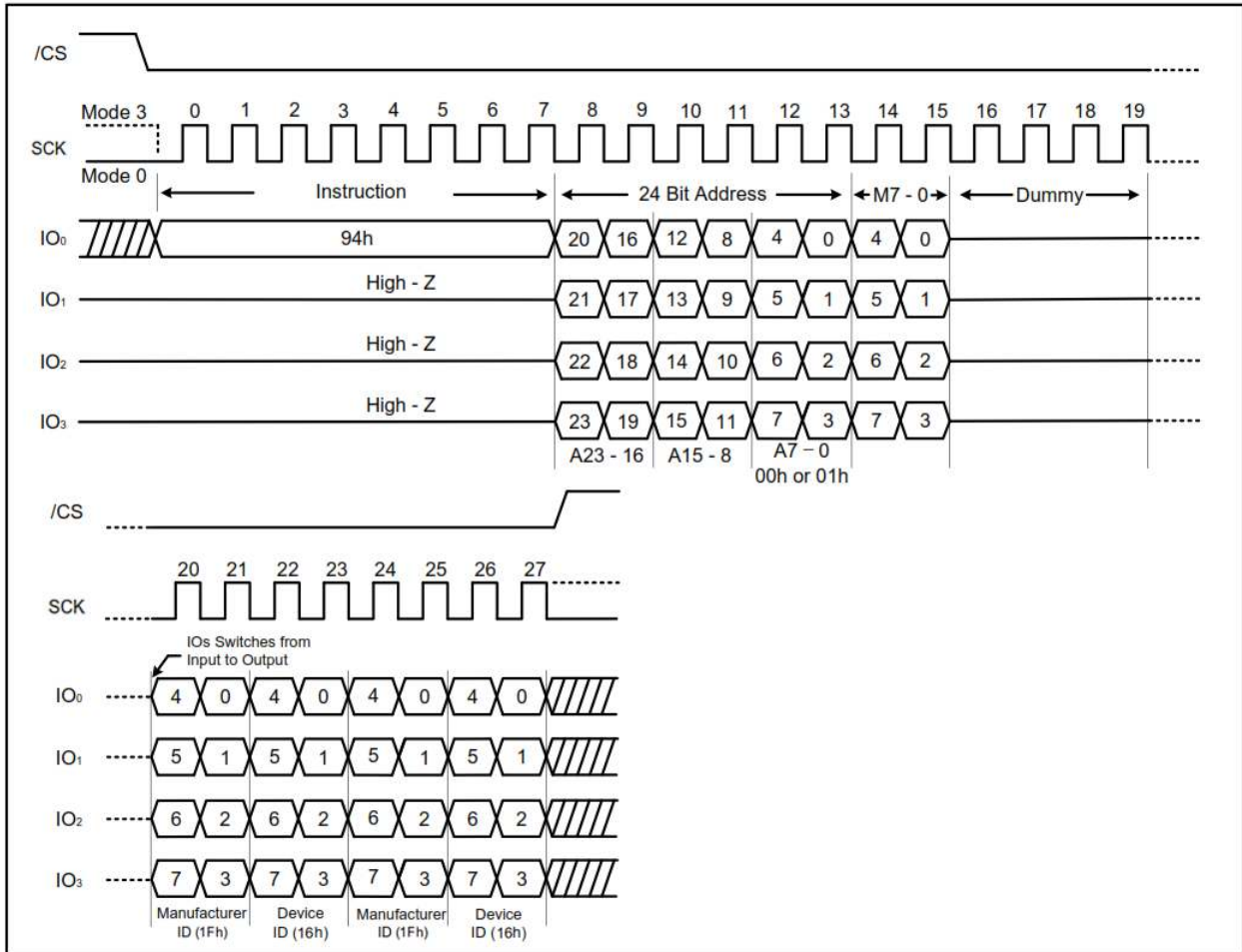


7.27 Read Manufacturer / Device ID Quad I/O (94h)

The Read Manufacturer/ Device ID Quad I/O instruction provides both the JEDEC assigned manufacturer ID and the specific device ID.

The Read Manufacturer/ Device ID instruction is very similar to the Fast Read Quad I/O instruction. The instruction is initiated by driving the \overline{CS} pin low and shifting the instruction code “94h” followed by a 24-bit address (A23-A0) of 000000h. After which, the Manufacturer ID for Adesto (1Fh) and the Device ID (17h) are shifted out on the falling edge of SCK with most significant bit (MSB) first as shown in Figure 7-45. If the 24-bit address is initially set to 000001h the Device ID is read first and then followed by the Manufacturer ID. The Manufacturer and Device ID can be read continuously, alternating from one to the other. The instruction is completed by driving \overline{CS} high.

Figure 7-45. Read Quad Manufacturer/ Device ID Quad I/O instruction (SPI Mode)



7.28 JEDEC ID (9Fh)

For compatibility reasons, the AT25QL641 provides several instructions to electronically determine the identity of the device. The Read JEDEC ID instruction is compliant with the JEDEC standard for SPI compatible serial Flash memories that was adopted in 2003. The instruction is entered by driving the \overline{CS} pin low with following the instruction code “9Fh”. JEDEC assigned Manufacturer ID byte for Adesto (1Fh) and two Device ID bytes, Memory Type (ID15-ID8) and Capacity (ID7-ID0) are then shifted out on the falling edge of SCK with most significant bit (MSB) first shown in [Figure 7-46](#) and [Figure 7-47](#). For memory type and capacity values refer to Manufacturer and Device Identification table. The JEDEC ID can be read continuously. The instruction is terminated by driving \overline{CS} high.

Figure 7-46. Read JEDEC ID Instruction (SPI Mode)

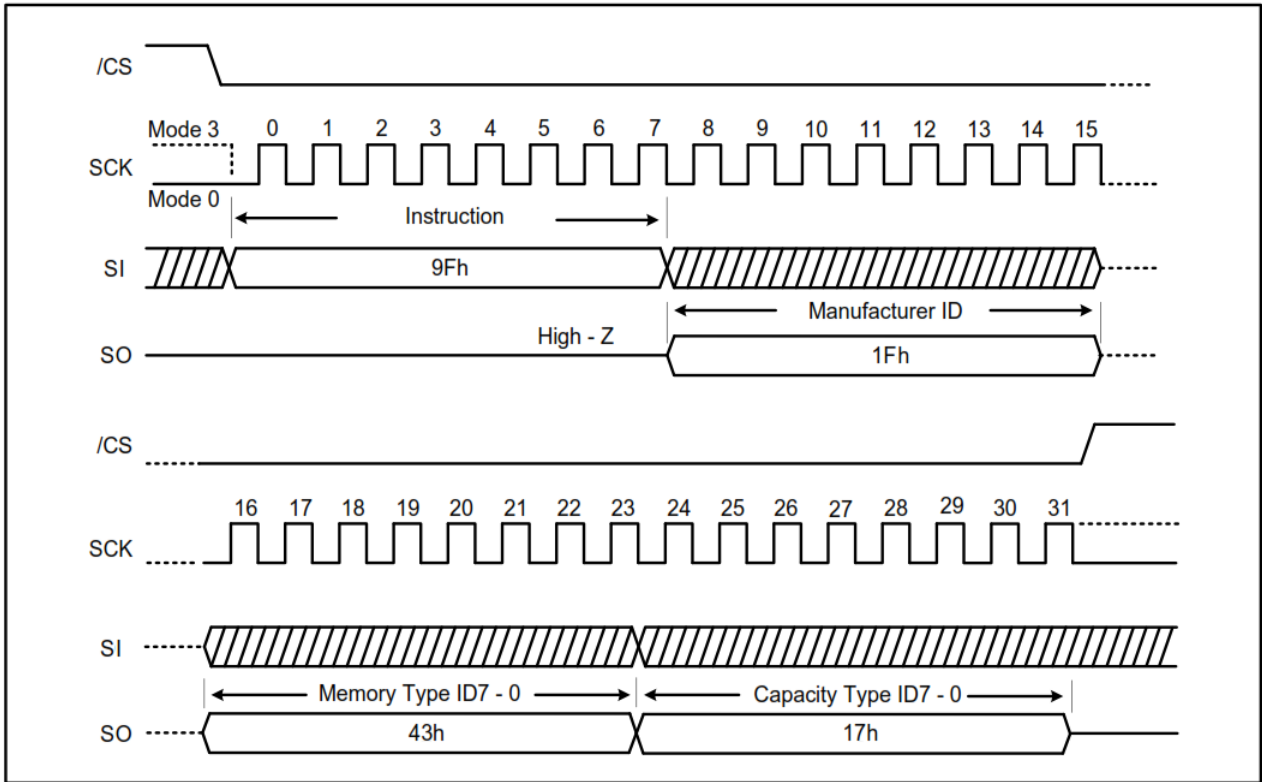
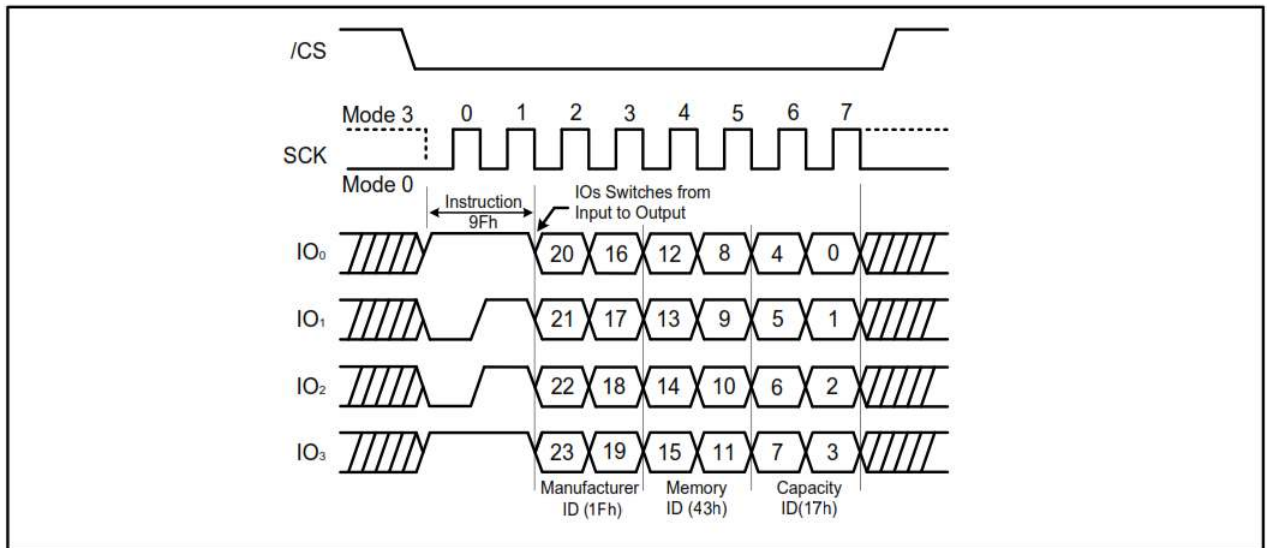


Figure 7-47. Read JEDEC ID Instruction (QPI Mode)



7.29 Enable QPI (38h)

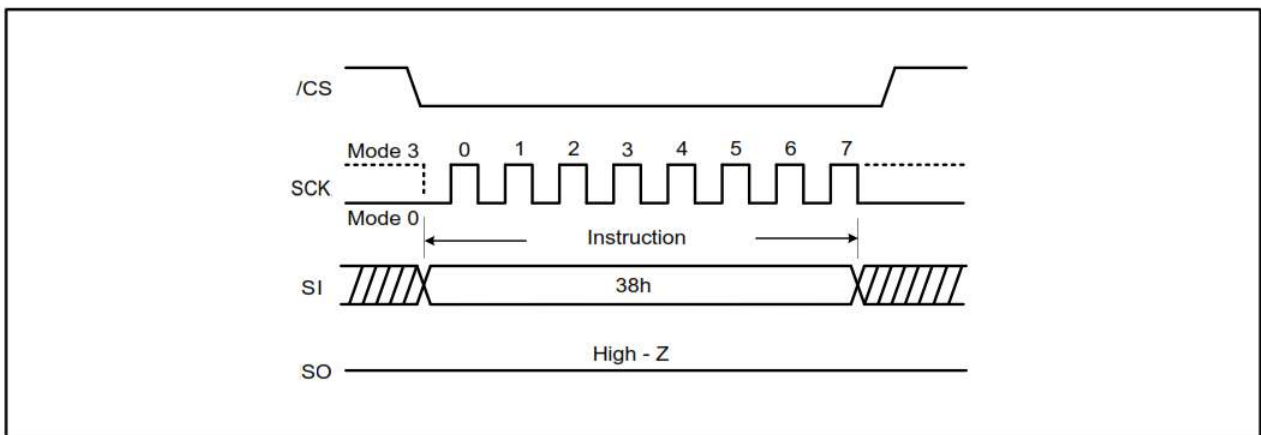
The AT25QL641 supports both the Standard/Dual/Quad Serial Peripheral interface (SPI) and the Quad Peripheral Interface (QPI) modes. However, SPI mode and QPI mode cannot be used at the same time. Enable QPI instruction is the only way to switch the device from SPI mode to QPI mode.

In order to switch the device to QPI mode, the Quad Enable (QE) bit in Status Register 2 must be set to 1 first, and an Enable QPI instruction must be issued. If the Quad Enable (QE) bit is 0, the Enable QPI instruction is ignored and the device remains in SPI mode.

After power-up, the default state of the device is SPI mode. See the instruction set [Table 7-2](#) for all the commands supported in SPI mode and the instruction Set [Table 7-5](#) for all the instructions supported in QPI mode.

When the device is switched from SPI mode to QPI mode, the existing write enable and program/erase suspend status, and the wrap length setting remains unchanged.

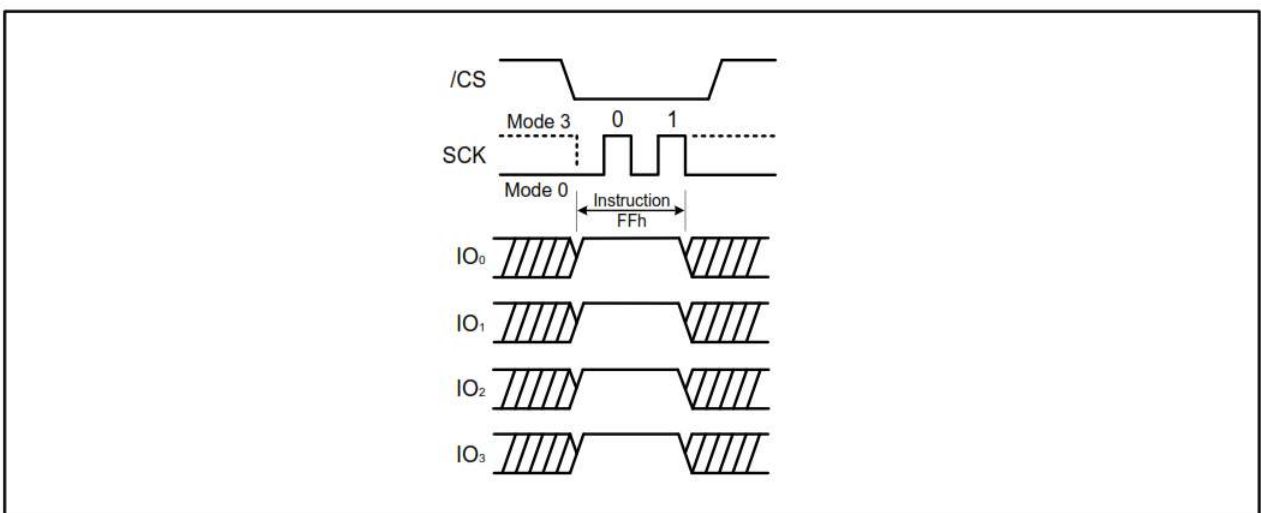
Figure 7-48. Enable QPI Instruction (SPI Mode only)



7.30 Disable QPI (FFh)

By issuing Disable QPI (FFh) instruction, the device is reset SPI mode. When the device is switched from QPI mode to SPI mode, the existing Write Enable Latch (WEL) and Program/Erase Suspend status, and the Wrap Length setting remains unchanged.

Figure 7-49. Disable QPI Instruction for QPI Mode



7.31 Word Read Quad I/O (E7h)

The Quad I/O dramatically reduces instruction overhead allowing faster random access for code execution (XiP) directly from the Quad SPI. The Quad Enable bit (QE) of Status Register-2 must be set to enable the Word Read Quad I/O instruction. The lowest Address bit (A0) must equal 0 and only two dummy clocks are required prior to the data output.

Continuous Read Mode

The Word Read Quad I/O instruction can further reduce instruction overhead through setting the “Continuous Read Mode” bits (M7-0) after the input Address bits (A23-0), as shown in Figure 7-50. The upper nibble of the (M7-4) controls the length of the next ‘Word Read Quad I/O’ instruction through the inclusion or exclusion of the first byte instruction code. The lower nibble bits of the (M[3:0]) are don’t care (“X”). However, the I/O pins should be high-impedance prior to the falling edge of the first data out clock.

If the continuous read mode bits M[7-4] = Ah, then the next ‘Fast Read Quad I/O’ instruction (after \overline{CS} is raised and then lowered) does not require the E7h instruction code, as shown in Figure 7-51. This reduces the instruction sequence by eight clocks and allows the Read address to be immediately entered after \overline{CS} is asserted low. If the continuous read mode bits M[7:4] do not equal to Ah (1010), the next instruction (after \overline{CS} is raised and then lowered) requires the first byte instruction code, thus returning to normal operation.

Figure 7-50. Word Read Quad I/O Instruction (Initial instruction or previous set M7-0 ≠ Ah, SPI Mode)

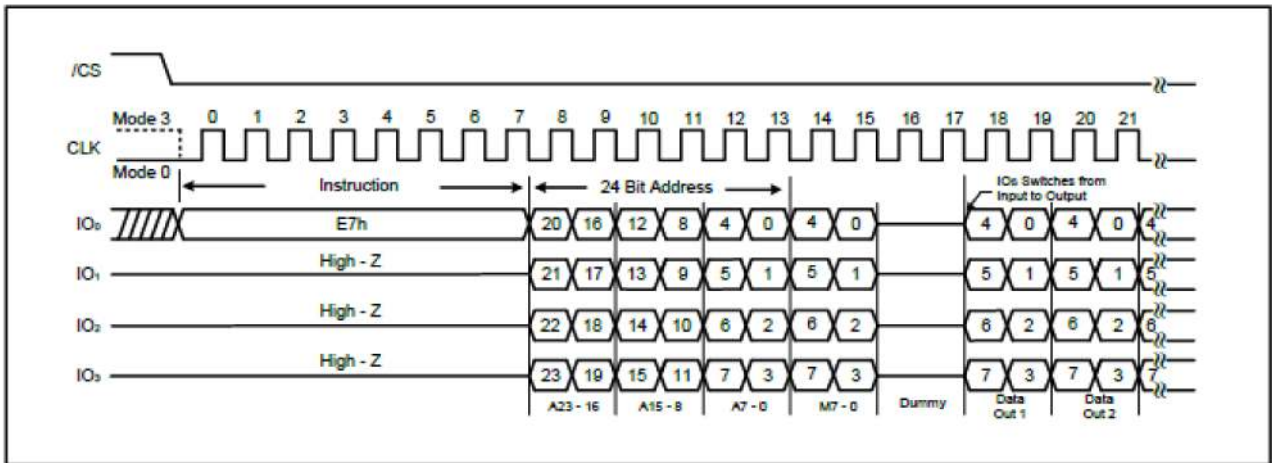
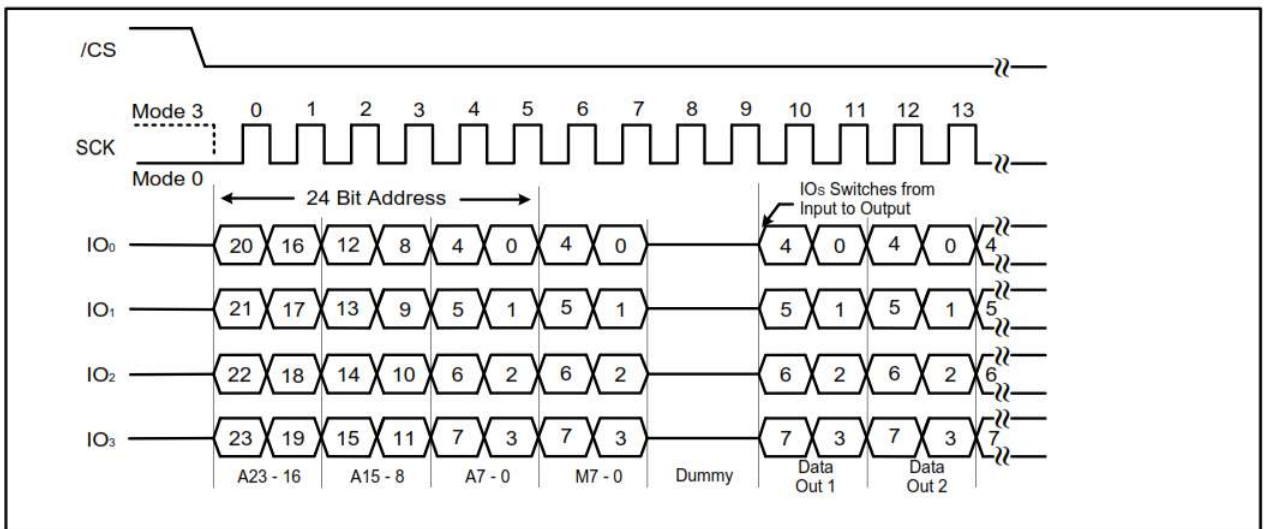


Figure 7-51. Word Read Quad I/O Instruction (Previous instruction set M7-0 = Ah, SPI Mode)



Wrap Around in SPI mode

The 'Word Read Quad I/O' instruction can also be used to access a specific portion within a page by issuing a 'Set Burst with Wrap' (77h) instruction prior to E7h. The 'Set Burst with Wrap' (77h) instruction can either enable or disable the "Wrap Around" feature for the following E7h commands. When "Wrap Around" is enabled, the output data starts at the initial address specified in the instruction, once it reaches the ending boundary of the 8/16/32/64-byte section, the output wraps around to the beginning boundary automatically until \overline{CS} is pulled high to terminate the instruction.

The Burst with Wrap feature allows applications that use cache to quickly fetch a critical address and then fill the cache afterwards within a fixed length (8/16/32/64-byte) of data without issuing read instructions.

The "Set Burst with Wrap" instruction allows three "Wrap Bits", W6-4 to be set. The W4 bit is used to enable or disable the "Wrap Around" operation while W6-5 is used to specify the length of the wrap around section within a page.

7.32 Set Burst with Wrap (77h)

The 'Set Burst with Wrap' (77h) instruction is used in conjunction with 'Fast Read Quad I/O' and 'Word Read Quad I/O' instructions to access a fixed length of 8/16/32/64-byte section within a 256-byte page. Certain applications can benefit from this feature and improve the overall system code execution performance. Before the device can accept the 'Set Burst with Wrap' instruction, the QE bit in the Status register bit must be set.

The 'Set Burst with Wrap' instruction is initiated by driving the \overline{CS} pin low and then shifting the instruction code "77h" followed by 24 dummy bits and 8 "Wrap Bits", W7-0. The instruction sequence is shown in 'Set Burst with Wrap' instruction sequence. Wrap bits W7 and W3-0 are not used.

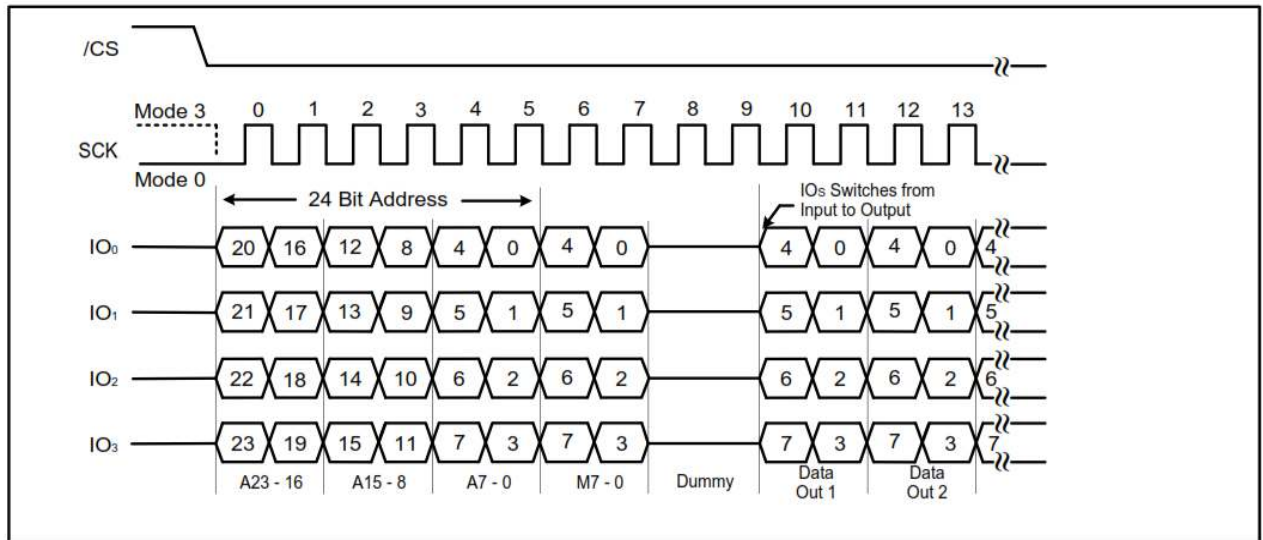
Table 7-6. Encoding of the W6 - W4 Wrap Bits

W6, W5	W4 = 0		W4 = 1 (Default)	
	Wrap Around	Wrap Length	Wrap Around	Wrap Length
0 0	Yes	8-byte	No	N/A
0 1	Yes	16-byte	No	N/A
1 0	Yes	32-byte	No	N/A
1 1	Yes	64-byte	No	N/A

Once W6-4 are set by a 'Set Burst with Wrap' instruction, all the following "Fast Read Quad I/O" and 'Word Read Quad I/O' instructions use the W6-4 setting to access the corresponding 8/16/32/64-byte section within any page.

To exit the "Wrap Around" function and return to normal read operation, another 'Set Burst with Wrap' instruction should be issued to set W4 = 1. The default value of W4 upon power on is 1. In the case of a system reset while W4 = 0, it is recommended that the controller issues a 'Set Burst with Wrap' instruction or Reset (99h) instruction to reset W4 = 1 prior to any normal Read instructions since the AT25QL641 does not have an external hardware reset pin.

Figure 7-52. Set Burst with Wrap Instruction Sequence



7.33 Burst Read with Wrap (0Ch)

The 'Burst Read with Wrap' (0Ch) instruction provides an alternative way to perform the read operation with wrap around in QPI mode. The instruction is similar to the 'Fast Read' (0Bh) instruction in QPI mode, except the addressing of the read operation wraps around to the beginning boundary of the wrap length once the ending boundary is reached.

The "Wrap Length" and the number of dummy of clocks can be configured by the 'Set Read Parameters' (C0h) instruction.

Figure 7-53. Burst Read with Wrap instruction (QPI Mode, 80MHz)

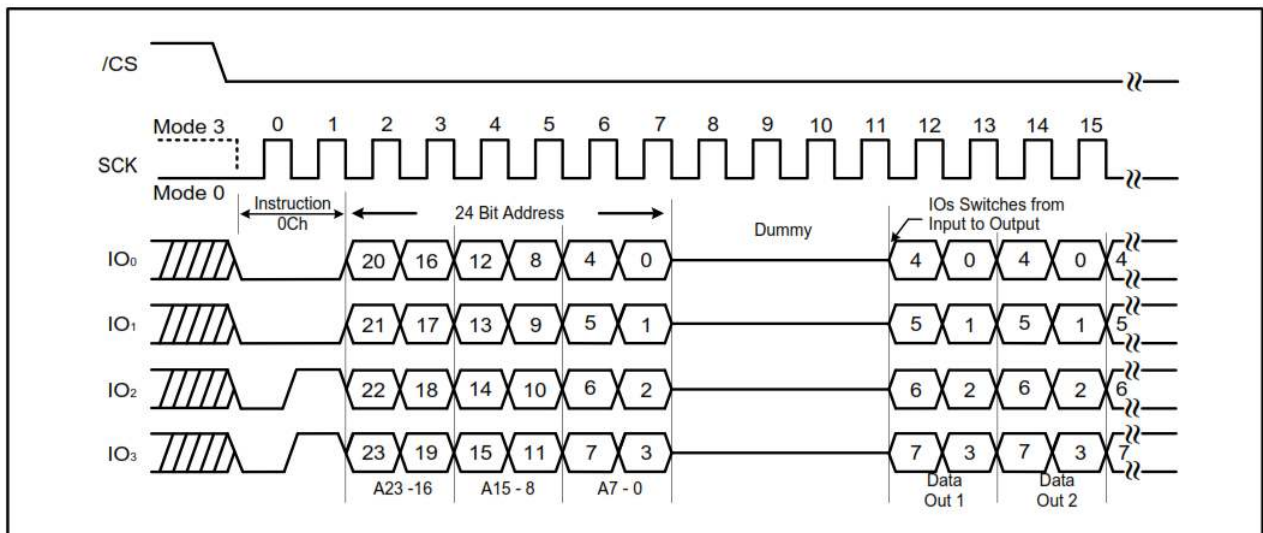
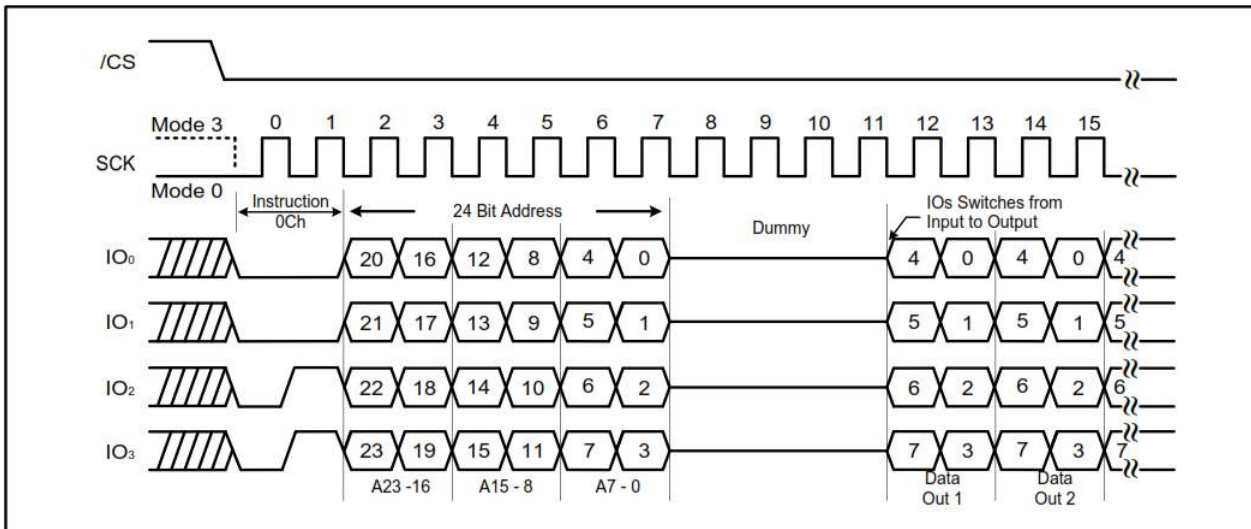


Figure 7-54. Burst Read with Wrap instruction (QPI Mode, 133 MHz)



7.34 Set Read Parameters (C0h)

In QPI mode, to accommodate a wide range of applications with different needs for either maximum read frequency or minimum data access latency, the ‘Set Read Parameters’ (C0h) instruction can be used to configure the number of dummy clocks for ‘Fast Read’ (0Bh), ‘Fast Read Quad I/O’ (EBh) and ‘Burst Read with Wrap’ (0Ch) instructions, and to configure the number of bytes of “Wrap Length” for the ‘Burst Read with Wrap’ (0Ch) instruction.

In Standard SPI mode, the ‘Set Read Parameters’ (C0h) instruction is not accepted. The dummy clocks for various ‘Fast Read’ instructions in Standard/Dual/Quad SPI mode are fixed, please refer to the instruction. The “Wrap Length” is set by W6-5 bit in the “Set Burst with Wrap (77h)” instruction. This setting remains unchanged when the device is switched from Standard SPI mode to QPI mode.

The default “Wrap Length” after a power up or a ‘Reset’ instruction is 8 bytes, the default number of dummy clocks is 4.

When the Set Read Parameters instruction is executed, an 8-bit value (P7-P0) is transferred to the memory. Within this 8-bit value, bits P5-P4 are used to set the number of dummy clocks and the maximum read frequency as shown in Table 7-7. The P1-P0 bits are used to set the wrap length as shown in Table 7-8. All other bits are unused.

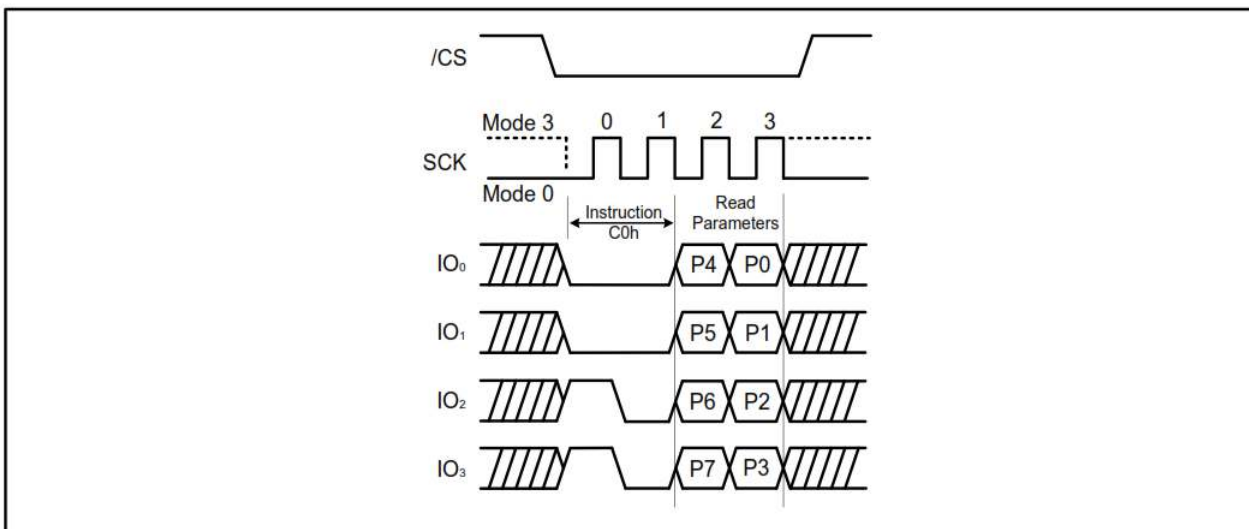
Table 7-7. Encoding of P[5:4] Bits

P5, P4	Dummy Clocks	Maximum Read Frequency
00	4	80 MHz
01	4	80 MHz
10	6	104 MHz
11	8	133 MHz

Table 7-8. Encoding of P[1:0] Bits

P1, P0	Wrap Length
0 0	8-byte
0 1	16-byte
1 0	32-byte
1 1	64-byte

Figure 7-55. Set Read Parameters Instruction (QPI Mode)



7.35 Enable Reset (66h) and Reset (99h)

For eight-pin packages, the AT25QL641 provide a software Reset instruction instead of a dedicated RESET pin.

Once the Reset instruction is accepted, any ongoing internal operations are terminated and the device returns to its default power-on state and loses all the current volatile settings, such as Volatile Status Register bits, Write Enable Latch (WEL) status, Program/Erase Suspend status, Continuous Read Mode bit setting, Read parameter setting and Wrap bit setting.

The 'Enable Reset' (66h) and 'Reset' (99h) instructions can be issued in either SPI mode or QPI mode. To avoid accidental reset, both instructions must be issued in sequence. Any other instructions other than 'Reset' (99h) that occur after the 'Enable' (66h) instruction disables the reset enable state. As such, a new sequence of 'Enable Reset' (66h) and 'Reset' (99h) is needed to reset the device. Once the Reset instruction is accepted by the device takes approximately $t_{RST} = 30 \mu s$ to reset. During this period, no instructions are accepted.

Data corruption may happen if there is an on-going or suspended internal Erase or Program operation when Reset instruction sequence is accepted by device. It is recommended to check the BUSY bit and the SUS bit in Status Register before issuing the Reset instruction sequence.

Figure 7-56. Enable Reset and Reset Instruction (SPI Mode)

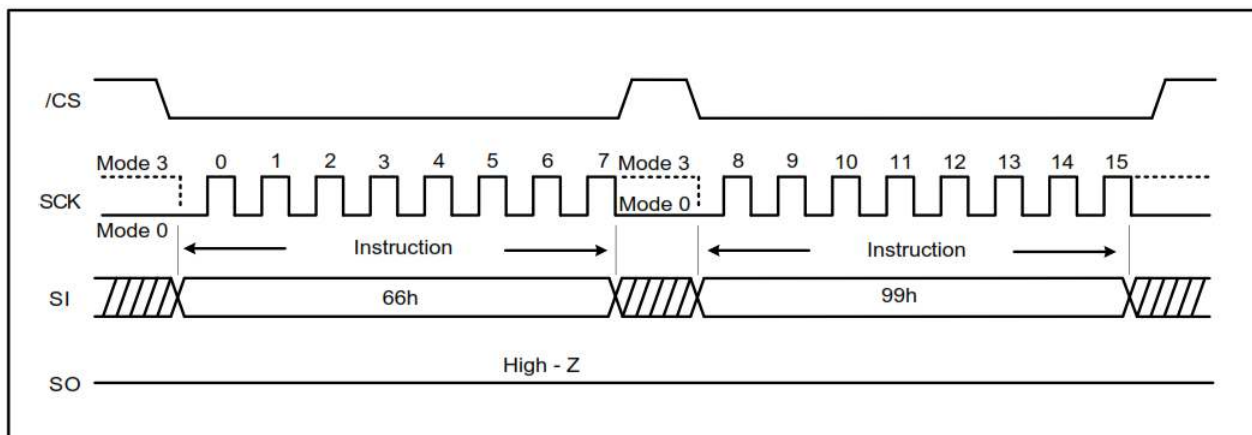
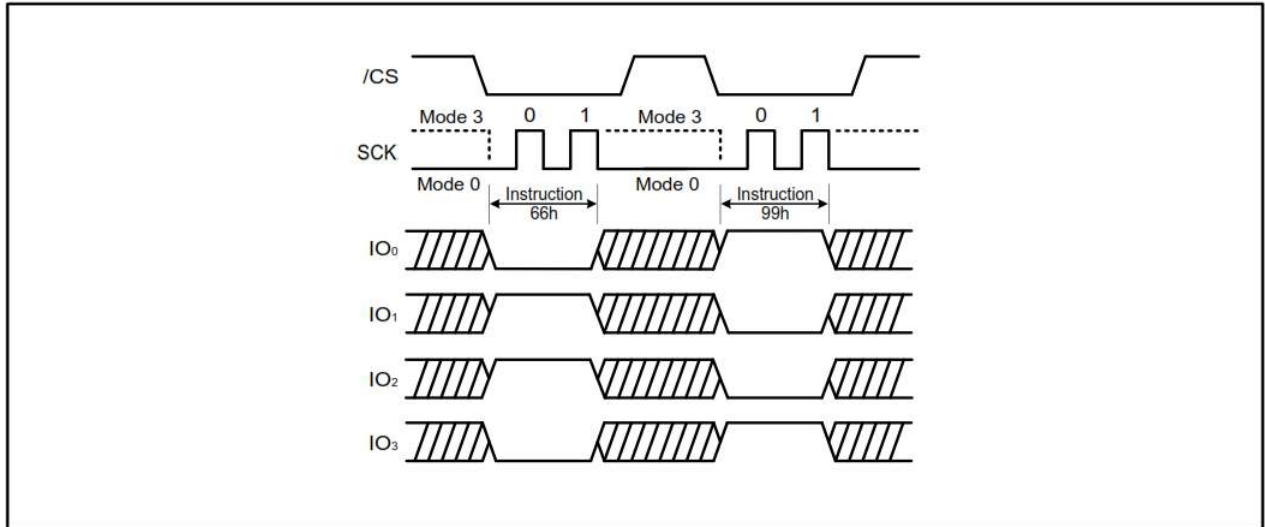


Figure 7-57. Enable Reset and Reset Instruction (QPI Mode)



7.36 Read Serial Flash Discovery Parameter (5Ah)

The Read Serial Flash Discovery Parameter (SFDP) instruction allows reading the Serial Flash Discovery Parameter area (SFDP). This SFDP area is composed of 2048 read-only bytes containing operating characteristics and vendor specific information. The SFDP area is factory programmed. If the SFDP area is blank, the device is shipped with all the SFDP bytes at FFh. If only a portion of the SFDP area is written to, the portion not used is shipped with bytes in the erased state (FFh).

The instruction sequence for the read SFDP has the same structure as that of a 'Fast Read' instruction. First, the device is selected by driving Chip Select (\overline{CS}) low. Next, the 8-bit instruction code (5Ah) and the 24-bit address are shifted in, followed by 8 dummy clock cycles. The bytes of SFDP content are shifted out on the Serial Data Output (SO) starting from the specified address. Each bit is shifted out during the falling edge of Serial Clock (SCK). The instruction sequence is shown here. The 'Read SFDP' instruction is terminated by driving Chip Select (\overline{CS}) high at any time during data output.

Figure 7-58. Read SFDP Register Instruction

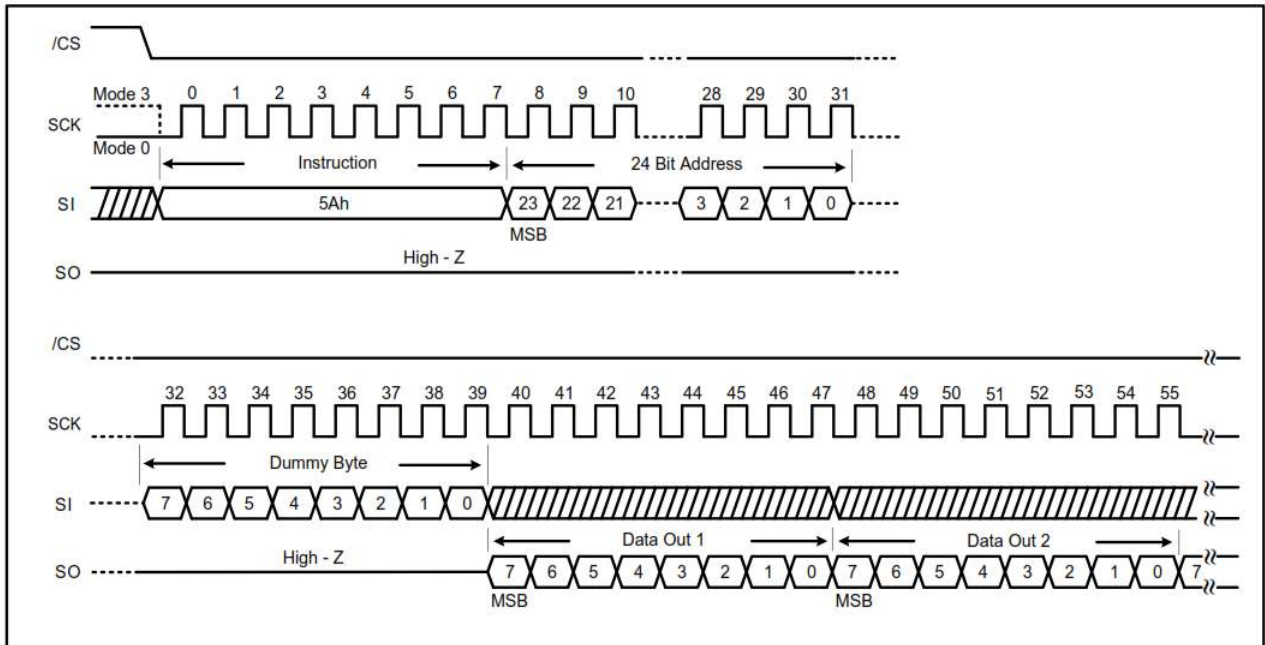


Table 7-9. SFDP Signature and Headers

Description	Comment	Address (h) Byte	Address (Bit)	Data (b) (Bit)	Data (h) (Byte)
SFDP Signature		00h	07:00	0101 0011	53h
		01h	15:08	0100 0110	46h
		02h	23:16	0100 0100	44h
		03h	31:24	0101 0110	50h
SFDP Minor Revision	Start from 00h	04h	07:00	0000 0110	06h
SFDP Major Revision	Start from 01h	05h	15:08	0000 0001	01h
Number of Parameters Headers	Start from 00h	06h	23:16	0000 0001	01h
Reserved	FFh	07h	31:24	1111 1111	FFh
JEDEC Parameter ID (LSB)	JEDEC Parameter ID (LSB) = 00H	08h	07:00	0000 0000	00h
Parameter Table Minor Revision	Start from 00h	09h	15:08	0000 0110	06h
Parameter Table Major Revision	Start from 01h	0Ah	23:16	0000 0001	01h
Parameter Table Length (double words)	How many DWORDs in the parameter table	0Bh	31:24	0001 0000	10h

Table 7-9. SFDP Signature and Headers (Continued)

Description	Comment	Address (h) Byte	Address (Bit)	Data (b) (Bit)	Data (h) (Byte)
Parameter Table Pointer	Address of Adesto Parameter Table	0Ch	07:00	0011 0000	30h
		0Dh	15:08	0000 0000	00h
		0Eh	23:16	0000 0000	00h
JEDEC Parameter ID (MSB)	JEDEC Parameter ID (MSB):FFH	0Fh	31:24	1111 1111	FFh
JEDEC Parameter ID (LSB)	Adesto Manufacturer ID	10h	07:00	0001 1111	1Fh
Parameter Table Minor Revision	Start from 00h	11h	15:08	0000 0000	00h
Parameter Table Major Revision	Start from 01h	12h	23:16	0000 0001	01h
Parameter Table Length (double words)	How many DWORDs in the parameter table	13h	31:24	0000 0010	02h
Parameter Table Pointer (PTP)	Address of Adesto Parameter Table	14h	07:00	1000 0000	80h
		15h	15:08	0000 0000	00h
		16h	23:16	0000 0000	00h
Reserved	FFh	17h	31:24	0000 0001	01h

Table 7-10. SFDP Parameters Table 1

Description	Comment	Address (h) Byte	Address (Bit)	Data (b) (Bit)	Data (h) (Byte)
Erase Granularity	01: 4 KB available 11: 4 KB not available	30h	01:00	01	E5h
Write Granularity	0: 1 byte 1: 64 bytes or larger		02	1	
Volatile Status Register Block Protect Bits	0: Nonvolatile status bit 1: Volatile status bit		03	0	
Volatile Status Register Write Enable Opcode	0: 50h Opcode to enable, if bit-3 = 1		04	0	
Reserved			07:05	111	
4KB Erase Opccde	Opcode or FFh	31h	15:08	0010 0000	20h

Table 7-10. SFDP Parameters Table 1 (Continued)

Description	Comment	Address (h) Byte	Address (Bit)	Data (b) (Bit)	Data (h) (Byte)
Fast Dual Read Output (1 -1 -2)	0: Not supported 1: Supported	32h	16	1	F1h
Number of Address Bytes	00: 3 bytes only 01: 3 or 4 bytes 10: 4 bytes only 11: Reserved		18:17	00	
Double Transfer Rate (DTR) Clocking	0: Not supported 1: Supported		19	0	
Fast Dual I/O Read (1-2- 2)	0: Not supported 1: Supported		20	1	
Fast Quad I/O Read (1-4-4)	0: Not supported 1: Supported		21	1	
Fast Quad Output Read (1-1-4)	0: Not supported 1: Supported		22	1	
Reserved	FFh		23	1	
Reserved	FFh		33h	31:24	
Flash Memory Density		34h	07:00	1111 1111	FFh
		35h	15:08	1111 1111	FFh
		36h	23:16	1111 1111	FFh
		37h	31:24	0000 0011	03h
Fast Quad I/O (1-4-4) Number of dummy clocks	Number of dummy clocks	38h	04:00	00100	44h
Fast Quad I/O (1-4-4) Number of mode bits	Number of mode bits		07:05	010	
Fast Quad I/O (1-4-4) Read Opcode	Opcode or FFh	39h	15:08	1110 1011	EBh
Fast Quad Output (1-1-4) Number of dummy clocks	Number of dummy clocks	3Ah	20:16	01000	08h
Fast Quad Output (1-1-4) Number of mode bits	Number of mode bits		23:21	000	
Fast Quad Output (1-1-4) Read Opcode	Opcode or FFh	3Bh	31:24	0110 1011	6Bh
Fast Dual Output (1-1-2) Number of dummy clocks	Number of dummy clocks	3Ch	04:00	01000	08h
Fast Dual Output (1-1-2) Number of mode bits	Number of mode bits		07:05	000	
Fast Dual Output (1-1-2) Read Opcode	Opcode or FFh	3Dh	15:08	0011 1011	3Bh

Table 7-10. SFDP Parameters Table 1 (Continued)

Description	Comment	Address (h) Byte	Address (Bit)	Data (b) (Bit)	Data (h) (Byte)
Fast Dual I/O (1-2-2) Number of dummy clocks	Number of dummy clocks	3Eh	20:16	00000	80h
Fast Dual I/O (1-2-2) Number of mode bits	Number of mode bits		23:21	100	
Fast Dual I/O (1-2-2) Read Opcode	Opcode or FFh	3Fh	31:24	1011 1011	BBh
Fast Dual DPI (2-2-2)	0: Not supported 1: Supported	40h	0	0	FEh
Reserved	FFh		03:01	111	
Fast Quad QPI (4-4-4)	0: Not supported 1: Supported		04	1	
Reserved	FFh		07:05	111	
Reserved	FFh	41h	15:08	1111 1111	FFh
Reserved	FFh	42h	23:16	1111 1111	FFh
Reserved	FFh	43h	31:24	1111 1111	FFh
Reserved	FFh	44h	07:00	1111 1111	FFh
Reserved	FFh	45h	15:08	1111 1111	FFh
Fast Dual DPI (2-2-2) Number of dummy clocks	Number of dummy clocks	46h	20:16	0 0000	00h
Fast Dual DPI (2-2-2) Number of mode bits	Number of mode bits		23:21	000	
Fast Dual DPI(2-2-2) Read Opcode	Opcode or FFh	47h	31:24	1111 1111	FFh
Reserved	FFh	48h	07:00	1111 1111	FFh
Reserved	FFh	49h	15:08	1111 1111	FFh
Fast Quad QPI (4-4-4) Number of dummy clocks	Number of dummy clocks	4Ah	20:16	00010	42h
Fast Quadl QPI (4-4-4) Number of mode bits	Number of mode bits		23:21	010	
Fast Quad QPI (4-4-4) Read Opcode	Opcode or FFh	4Bh	31:24	1110 1011	EBh
Erase type-1 Size	4 KB = 2 ⁰ Ch, 32 KB = 2 ⁰ Fh, 64 KB = 2 ¹ 0h; (2 ⁿ Nbyte)	4Ch	07:00	0000 1100	0Ch
Erase type-1 Opcode	Opcode or FFh	4Dh	15:08	0010 0000	20h
Erase type-2 Size	4 KB = 2 ⁰ Ch, 32 KB = 2 ⁰ Fh, 64 KB = 2 ¹ 0h; (2 ⁿ Nbyte)	4Eh	23:16	0000 1111	0Fh
Erase type-2 Opcode	Opcode or FFh	4Fh	31:24	0101 0010	52h

Table 7-10. SFDP Parameters Table 1 (Continued)

Description	Comment	Address (h) Byte	Address (Bit)	Data (b) (Bit)	Data (h) (Byte)
Erase Type-3 Size	4 KB = 2 ⁰ Ch, 32 KB = 2 ⁰ Fh, 64 KB = 2 ¹ 0h; (2 ^N byte)	50h	07:00	0001 0000	10h
Erase Type-3 Opcode	Opcode or FFh	51h	15:08	1101 1000	D8h
Erase Type-4 Size	4 KB = 2 ⁰ Ch, 32 KB = 2 ⁰ Fh, 64 KB = 2 ¹ 0h; (2 ^N byte)	52h	23:16	0000 0000	00h
Erase Type-4 Opcode	Opcode or FFh	53h	31:24	1111 1111	FFh
Erase Maximum/Typical Ratio	Maximum = 2 * (COUNT + 1) * Typical	54h 55h 56h 57h	03:00	0011	33h 62h D5h 00h
Erase type-1 Typical time	Count or 00h		08:04	0 0011	
Erase type-1 Typical units	00b: 1 ms 01b: 16 ms 10b: 128 ms 11b: 1 sec		10:09	01	
Erase type-2 Typical time	Count or 00h		15:11	0110 0	
Erase type-2 Typical units	00b: 1 ms 01b: 16 ms 10b: 128 ms 11b: 1 sec		17:16	01	
Erase type-3 Typical time	Count or 00h		22:18	101 01	
Erase type-3 Typical units	00b: 1 ms 01b: 16 ms 10b: 128 ms 11b: 1 sec		24:23	01	
Erase type-4 Typical time	Count or 00h		29:25	00 000	
Erase type-4 Typical units	00b: 1 ms 01b: 16 ms 10b: 128 ms 11b: 1 sec		31:30	00	
Program Maximum/Typical Ratio	Maximum = 2 * (COUNT + 1) * Typical		58h	03:00	
Page Size	2 ^N bytes		07:04	1000	

Table 7-10. SFDP Parameters Table 1 (Continued)

Description	Comment	Address (h) Byte	Address (Bit)	Data (b) (Bit)	Data (h) (Byte)
Program Page Typical time	Count or 00h	59h 5Ah 5Bh	12:08	0 1001	29h 01h C7h
Program Page Typical units	0: 8 μ s, 1: 64 μ s		13	1	
Program Byte Typical time, 1st byte	Count or 00h		17:14	01 00	
Program Byte Typical units, 1st byte	0: 1 μ s, 1: 8 μ s		18	0	
Program Additional Byte Typical time	Count or 00h		22:19	000 0	
Program Additional Byte Typical units	0: 1 μ s, 1: 8 μ s		23	0	
Erase Chip Typical time	Count or 00h		28:24	0 0111	
Erase Chip Typical units	00b: 16 ms 01b: 256 ms 10b: 4 sec 11b: 64 sec		30:29	10	
Reserved	1h		31	1	
Prohibited Op during Program Suspend	see Datasheet	5Ch	03:00	11010	ECh
Prohibited Op during Erase Suspend	see Datasheet		07:04	1110	

Table 7-10. SFDP Parameters Table 1 (Continued)

Description	Comment	Address (h) Byte	Address (Bit)	Data (b) (Bit)	Data (h) (Byte)
Reserved	1h	5Dh 5Eh 5Fh	08	1	A1h 07h 3Dh
Program Resume to Suspend time	Count of 64us		12:09	0 000	
Program Suspend Maximum time	Count or 00h		17:13	11 101	
Program Suspend Maximum units	00b: 128 ns, 01b: 1 μs, 10b: 8 μs, 11b: 64 μs		19:18	01	
Erase Resume to Suspend time	Count of 64 μs		23:20	0000	
Erase Suspend Maximum time	Count or 00h		28:24	1 1101	
Erase Suspend Maximum units	00b: 128 ns, 01b: 1 μs, 10b: 8 μs, 11b: 64 μs		30:29	01	
Suspend / Resume supported	0: Program and Erase suspend supported 1: not supported		31	0	
Program Resume Opcode	Opcode or FFh	60h	7:0	0111 1010	7Ah
Program Suspend Opcode	Opcode or FFh	61h	15:8	0111 0101	75h
Resume Opcode	Opcode or FFh	62h	23:16	0111 1010	7Ah
Suspend Opcode	Opcode or FFh	63h	31:24	0111 0101	75h
Reserved	11b	64h	01:00	11	F7h
Status Register Busy Polling	xxxxx1b: Opcode = 05h, bit-0 = 1 Busy, xxxx1xb: Opcode = 70h, bit-7 = 0 Busy, Others: reserved		07:02	1111 01	
Exit Deep Powerdown time	Count or 00h	65h 66h 67h	12:08	0 0010	A2h D5h 5Ch
Exit Deep Powerdown units	00b: 128 ns, 01b: 1 μs, 10b: 8 μs, 11b: 64 μs		14:13	01	
Exit Deep Powerdown Opcode	Opcode or FFh		22:15	101 0101 1	
Enter Deep Powerdown Opcode	Opcode or FFh		30:23	101 1100 1	
Deep Powerdown Supported	0: Deep Powerdown supported 1: Not supported		31	0	

Table 7-10. SFDP Parameters Table 1 (Continued)

Description	Comment	Address (h) Byte	Address (Bit)	Data (b) (Bit)	Data (h) (Byte)
Disable 4-4-4 Read Mode		68h 69h 6Ah	03:00	1001	19h F6h 1Ch
Enable 4-4-4 Read Mode			08:04	0 0001	
Fast Quad I/O Continuous (0-4-4) supported	0: not supported, 1: Quad I/O 0-4-4 supported		09	1	
Fast Quad I/O Continuous (0-4-4) Exit			15:10	1111 01	
Fast Quad I/O Continuous (0-4-4) Enter			19:16	1100	
Quad Enable Requirements (QER)			22:20	001	
HOLD or RESET Disable	0: not supported, 1: use Configuration Register bit-4		23	0	
Reserved	FFh	6Bh	31:24	1111 1111	FFh
Status Register Opcode		6Ch	06:00	110 1000	E8h
Reserved	1h		07	1	
Soft Reset Opcodes		6Dh	13:08	01 0000	10h C0h
4-Byte Address Exit		6Eh	23:14	1100 0000 00	
4-Byte Address Enter		6Fh	31:24	1000 0000	80h

Table 7-11. SFDP Parameters Table 2

Description	Comment	Address (h) Byte	Address (Bit)	Data (b) (Bit)	Data (h) (Byte)
VCC Minimum Voltage	1650h: 1.65V, 1700h: 1.70V, 2300h: 2.30V, 2500h: 2.50V, 2700h: 2.70V	80h 81h	15:0	0000 0000 0001 0111	00h 17h
VCC Maximum Voltage	1950h: 1.95V, 3600h: 3.60V, 4000h: 4.00V, 4400h: 4.40V	82h 83h	31:16	0000 0000 0010 0000	00h 20h

Table 7-11. SFDP Parameters Table 2 (Continued)

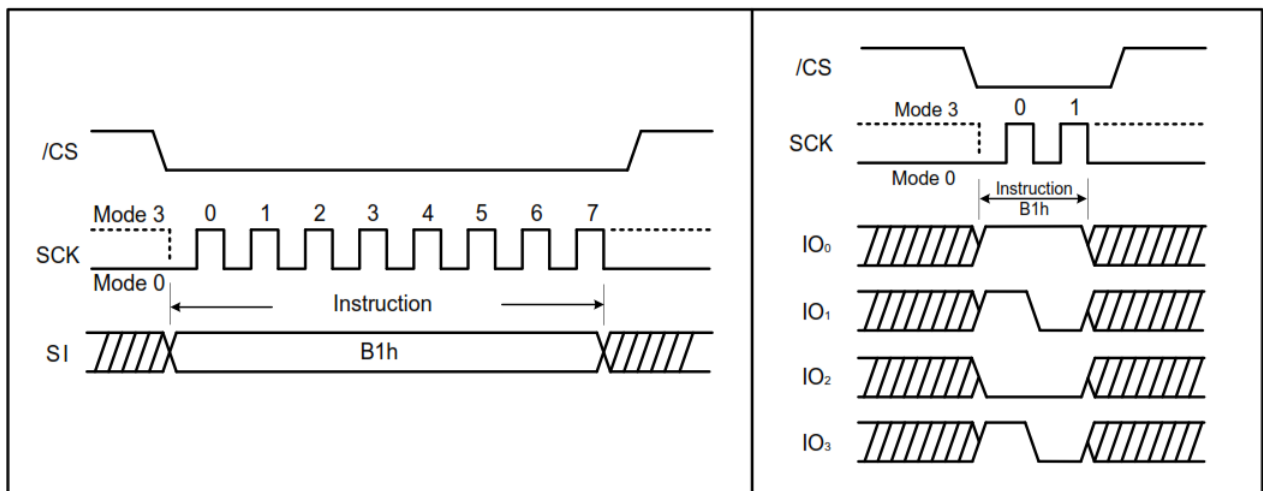
Description	Comment	Address (h) Byte	Address (Bit)	Data (b) (Bit)	Data (h) (Byte)
Array Protection Method	10b: Use non-volatile status register	84h 85h	01:00	00	00h 00h
Power up Protection default	0: Power up unprotected 1: Power up protected		02	0	
Protection Disable Opcodes	011b: Use status register		05:03	00 0	
Protection Enable Opcodes	011b: Use status register		08:06	0 00	
Protection Read Opcodes	011b: Use status register		11:09	000	
Protection Register Erase Opcode	00b: Not supported 01b: Opcodes 3Dh, 2Ah, 7Fh, FCh		13:12	00	
Protection Register Program Opcode	00b: Not supported 01b: Opcodes 3Dh, 2Ah, 7Fh, FCh		15:14	00	
Reserved	FFh	86h	23:16	1111 1111	FFh
Reserved	FFh	87h	31:24	1111 1111	FFh
Reserved	FFh	88h - FFh			Reserved

7.37 Enter Secured OTP (B1h)

The 'Enter Secured OTP' instruction is for entering the additional 4 Kbit secured OTP mode. This additional mode is independent from the main array, which may be used to store unique serial number for system identifier. After entering the Secured OTP mode, the standard read or program procedure can be used to read or write data. The Secured OTP data cannot be updated again once it is locked down.

Please note that 'Write Status Register-1', 'Write Status Register-2' and 'Write Security Register' instructions are not acceptable during the access of secure OTP region. Once security OTP is locked down, only commands related with read are valid. The 'Enter Secured OTP' instruction sequence is shown in [Figure 7-59](#).

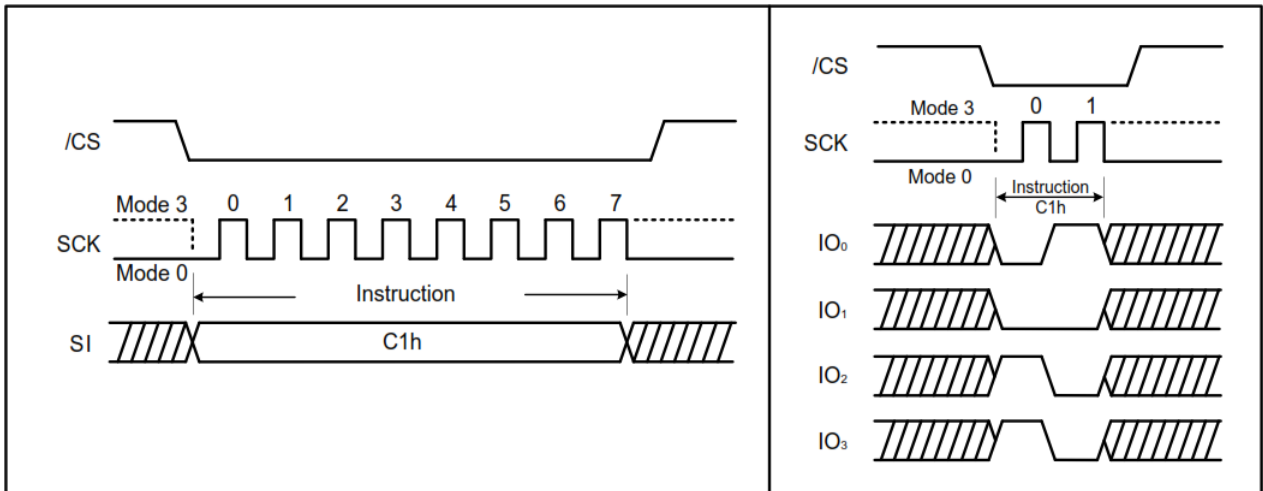
Figure 7-59. Enter Secured OTP Instruction for SPI Mode (left) and QPI Mode (right)



7.38 Exit Secured OTP (C1h)

The Exit Secured OTP instruction is for exiting the additional 4 Kbit secured OTP mode. (Please refer to Figure 7-60).

Figure 7-60. Exit Secured OTP instruction for SPI Mode (left) and QPI Mode (right)



7.39 Read Security Register (2Bh)

The Read Security Register can be read the value of Security Register bits at any time (even in program/erase/write status register-1 and write status register-2 condition) and continuously. Bits 0 and 1 of this register are described below. All other bits of the register are reserved.

Secured OTP Indicator bit. The Secured OTP indicator bit shows the chip is locked by factory before or not. When it is “0”, it indicates a non-factory lock, a “1” indicates a factory lock.

Lock-down Secured OTP (LDSO) bit. By executing the ‘Write Security Register’ instruction, the LDSO bit may be set to “1” for customer lock down purposes. However, once the bit is set to “1” (locked down), the LDSO bit and the 4 Kbit Secured OTP area cannot be updated any more. While it is in 4 Kbit Secured OTP mode, array access is not allowed to write.

Table 7-12. Security Register Definition

Bit 7	Bit 6	Bit 5	Bit 4	Bit 3	Bit 2	Bit 1	Bit 0
x	x	x	x	x	x	LDSO (indicate if lock- down)	Secured OTP indicator bit
Reserved	Reserved	Reserved	Reserved	Reserved	Reserved	0 = not lock- down 1 = lock- down (cannot program/ erase OTP)	0 = non factory lock 1 = factory lock
Volatile bit	Volatile bit	Volatile bit	Volatile bit	Volatile bit	Volatile bit	Non- Volatile bit	Non- Volatile bit

Figure 7-61. Read Security Register instruction (SPI Mode)

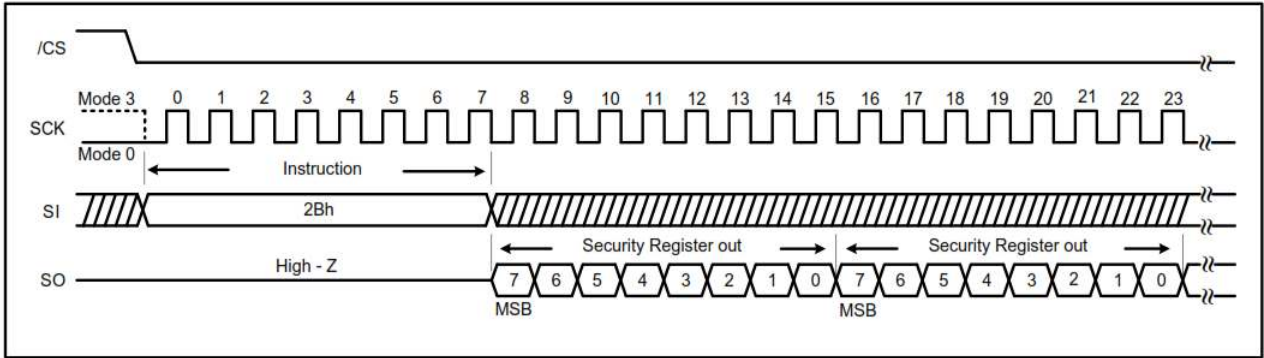
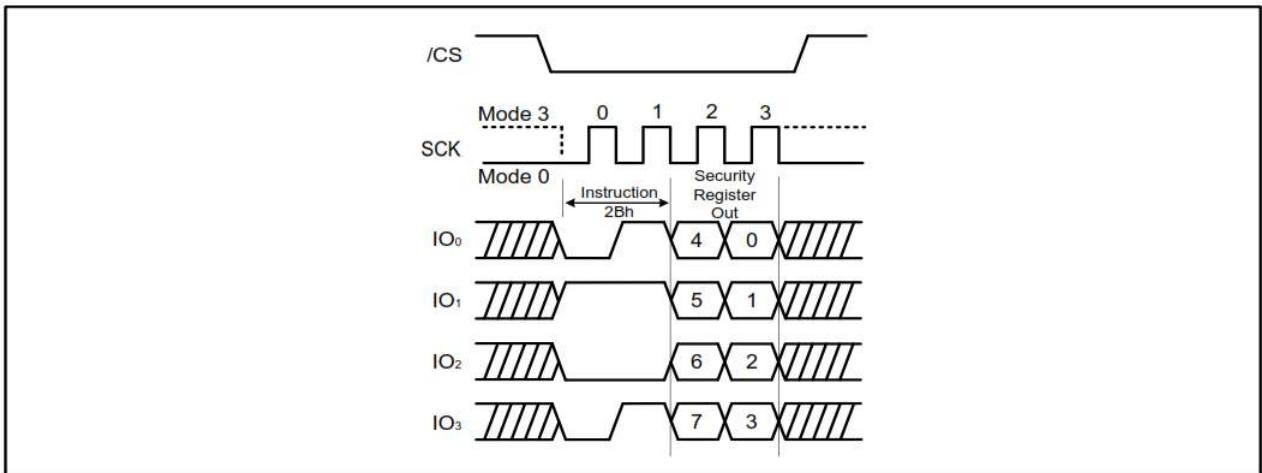


Figure 7-62. Read Security Register Instruction (QPI Mode)

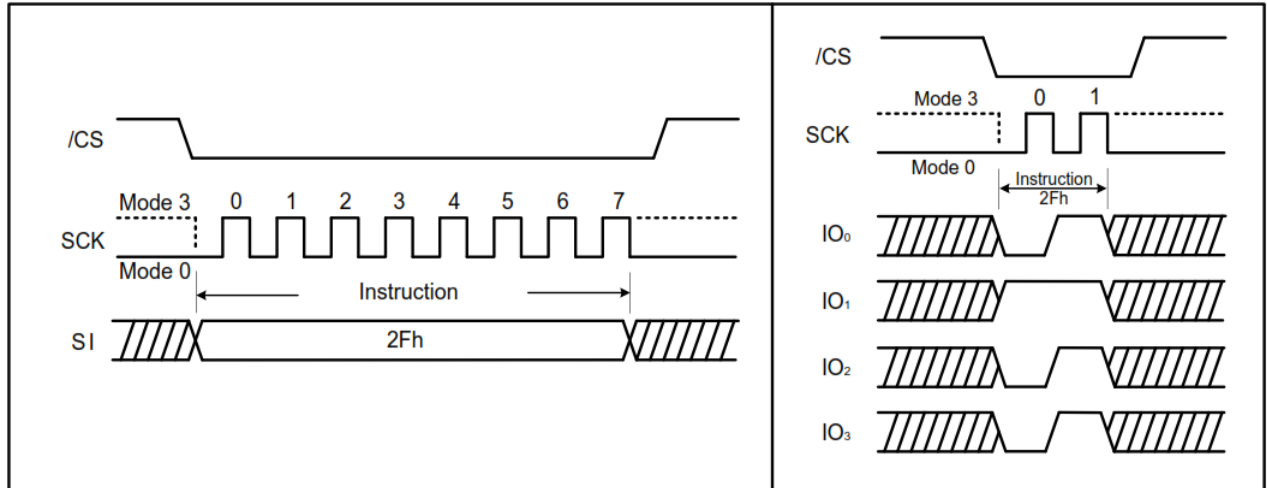


7.40 Write Security Register (2Fh)

The 'Write Security Register' instruction is for change the state of the bits in the Security Register. Unlike the 'Write Status Register' instruction, the 'Write Enable' instruction is not required before executing the 'Write Security Register' instruction. The instruction may change the value of bit 1 (LDSO bit) for a customer to lock down the 4 Kbit Secured OTP area. Once the LDSO bit is set to "1", the Secured OTP area cannot be updated any more.

The $\overline{\text{CS}}$ must go high exactly at the boundary; otherwise, the instruction is not executed.

Figure 7-63. Write Security Register Instruction for SPI Mode (left) and QPI Mode (right)



7.41 4 Kbit Secured OTP

The AT25QL641 provides a 4 Kbit one-time-program area for setting a unique serial number which can be set by either the factory or the customer. Security register bit 0 indicates whether the chip is locked by factory or not.

The 4 Kbit OTP space is accessed using the B1h instruction as described above. After the OTP value has been programmed, the C1h instruction is used to exit from the secured OTP space.

The secure OTP space is divided into a 128-bit electronic serial number, and 3968 bits is user-defined data as shown in [Table 7-13](#).

Note. Once the OTP space is locked down, either by the factory or the customer, it cannot be changed any more. While in 4 Kbit secured OTP mode, array access is not allowed to write.

Table 7-13. Secure OTP Address Space

Address Range	Size	Standard	Customer Lock
000000 ~ 00000F	128-bit	ESN (Electrical Serial Number)	Determined by customer
000010 ~ 0001FF	3968-bit	N/A	

8. Electrical Characteristics

Table 8-1. Absolute Maximum Ratings ⁽¹⁾

Parameter	Symbol	Conditions	Value	Units
Supply Voltage	VCC		-0.6 to VCC+0.4	V
Voltage Applied to any pin	VIO	Relative to Ground	-0.6 to VCC +0.4	V
Transient Voltage on any pin	VIOT	<20nS Transient Relative to Ground	-1.0V to VCC +1.0V	V
Storage temperature	TSTG		-65 to +150	°C
Lead temperature	TLEAD		See Note ⁽²⁾	°C
Electrostatic discharge voltage	VESD	Human Body Model ⁽³⁾	-2000 to +2000	V

1. Stresses beyond those listed under “Absolute Maximum Ratings” may cause permanent damage to the device. The “Absolute Maximum Ratings” are stress ratings only and functional operation of the device at these or any other conditions beyond those indicated in the operational sections of this specification is not implied. Exposure to absolute maximum rating conditions for extended periods may affect device reliability. Voltage extremes referenced in the “Absolute Maximum Ratings” are intended to accommodate short duration undershoot/overshoot conditions and does not imply or guarantee functional device operation at these levels for any extended period of time.
2. Compliant with JEDEC Standard J-STD-20C for small body Sn-Pb or Pb-free (Green) assembly and the European directive on restrictions on hazardous substances (RoHS) 2002/95/EU.
3. JEDEC Std JESD22-A114A (C1 = 100 pF, R1 = 1500Ω, R2 = 500Ω).

Table 8-2. Operating Ranges

Parameter	Symbols	Conditions	Min	Max	Units
Supply Voltage	VCC	$f_R = 133$ MHz (Single/Dual/Quad SPI) $f_R = 50$ MHz (Read Data 03h)	1.7	2.0	V
Ambient Operating Temperature	T _A	Industrial	-40	+85	°C

Table 8-3. Endurance and Data Retention

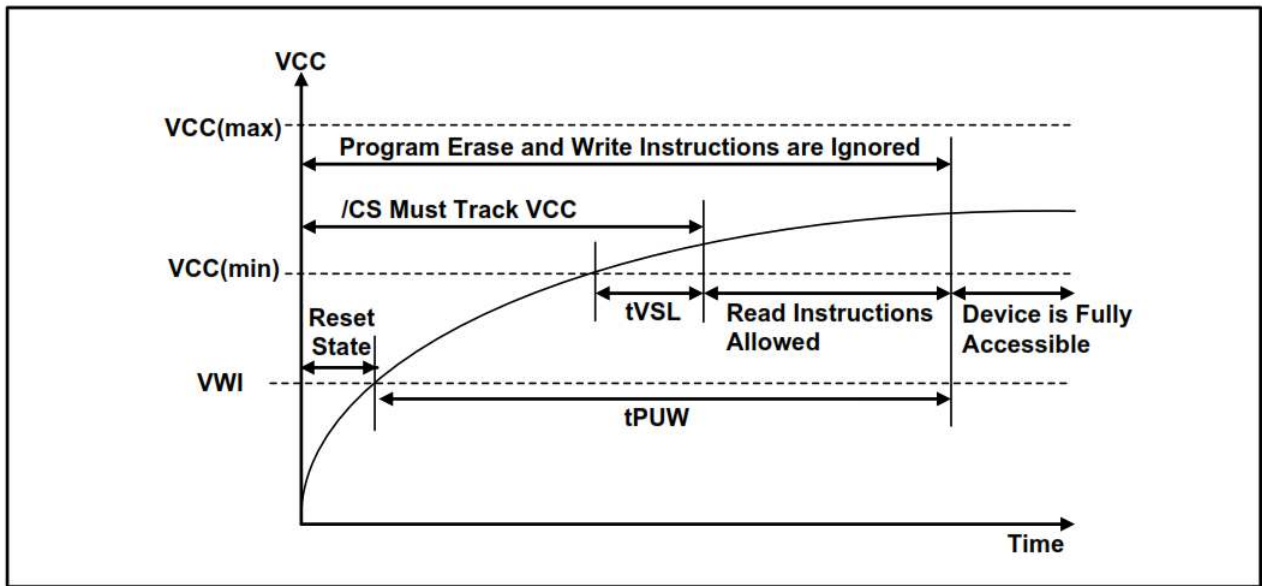
Parameter	Conditions	Min	Max	Units
Erase/Program Cycles	4 KB Block, 32/64 KB block, or full chip	100,000		Cycles
Data Retention	Full Temperature Range		20	Years

Table 8-4. Power-up Timing and Write Inhibit Threshold

Parameter	Symbol ⁽¹⁾	Min	Max	Units
VCC (min) to \overline{CS} low	t_{VSL}	10		μs
Time Delay before Write Instruction	t_{PUW}	1	10	ms
Write Inhibit Threshold Voltage	VWI	1.0	1.4	V

1. These parameters are characterized at -10C and +85C only

Figure 8-1. Power-up Timing and Voltage Levels



8.1 DC Electrical Characteristics

Table 8-5. DC Electrical Characteristics

Parameter	Symbol	Condition	Min	Typ	Max	Units
Input Capacitance ⁽¹⁾	C_{IN}	$V_{IN} = 0V$			6	pF
Output Capacitance ⁽¹⁾	C_{OUT}	$V_{OUT} = 0V$			8	pF
Input Leakage	I_{LI}				± 2	μA
Output Leakage	I_{LO}				± 2	μA
Standby Current	I_{CC1}	$\overline{CS} = VCC$ $V_{IN} = GND \text{ or } VCC$		10	50	μA
Power Down Current	I_{CC2}	$\overline{CS} = VCC$ $V_{IN} = GND \text{ or } VCC$		2	20	μA
Current Read Data Dual/Quad 1 MHz ⁽²⁾	I_{CC3}	$C = 0.1 VCC / 0.9 VCC$ $IO = \text{Open}$			7	mA

Table 8-5. DC Electrical Characteristics (Continued)

Parameter	Symbol	Condition	Min	Typ	Max	Units
Current Read Data Dual/Quad 50 MHz ⁽²⁾	I_{CC3}	C = 0.1 VCC / 0.9 VCC IO = Open			15	mA
Current Read Data Dual/Quad 80 MHz ⁽²⁾	I_{CC3}	C = 0.1 VCC / 0.9 VCC IO = Open			18	mA
Current Read Data Dual/Quad 104 MHz ⁽²⁾	I_{CC3}	C = 0.1 VCC / 0.9 VCC IO = Open			20	mA
Current Read Data Dual/Quad 133 MHz ⁽²⁾	I_{CC3}	C = 0.1 VCC / 0.9 VCC IO = Open			27	mA
Current Write Status Register	I_{CC4}	$\overline{CS} = VCC$		10	20	mA
Current Page Program	I_{CC5}	$\overline{CS} = VCC$		15	25	mA
Current Block Erase	I_{CC6}	$\overline{CS} = VCC$		15	25	mA
Current Chip Erase	I_{CC7}	$\overline{CS} = VCC$		15	25	mA

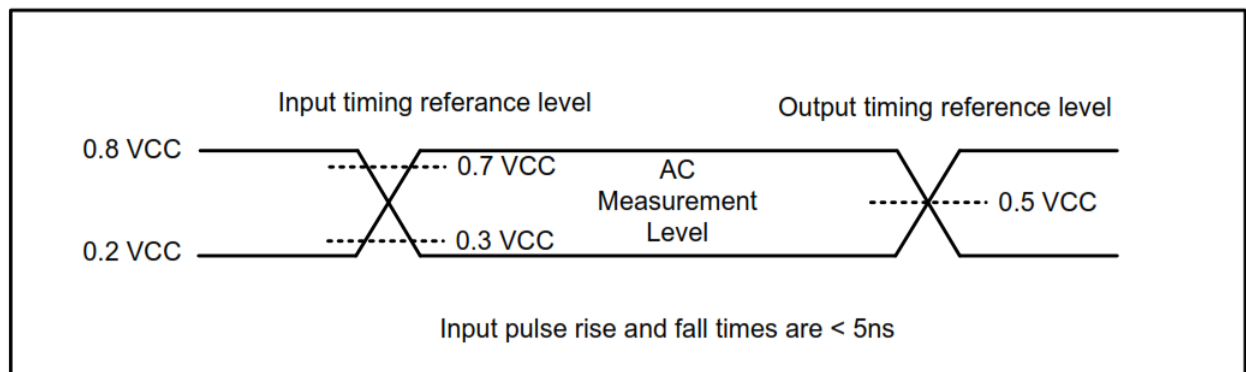
1. Tested on sample basis and specified through design and characterization data, TA = 25C, VCC = 1.8V.
2. Checked board pattern.

8.2 AC Measurement Conditions

Table 8-6. AC Measurement Conditions

Parameter	Symbol	Min	Max	Units
Load Capacitance	C_L		30	pF
Input Rise and Fall Times	t_R, t_F		5	ns
Input Pulse Voltages	VIN	0.2 VCC to 0.8 VCC		V
Input Timing Reference Voltages	IN	0.3 VCC to 0.7 VCC		V
Output Timing Reference Voltages	OUT	0.5 VCC to 0.5 VCC		V

Figure 8-2. AC Measurement I/O Waveform



8.3 AC Electrical Characteristics

Table 8-7. AC Electrical Characteristics

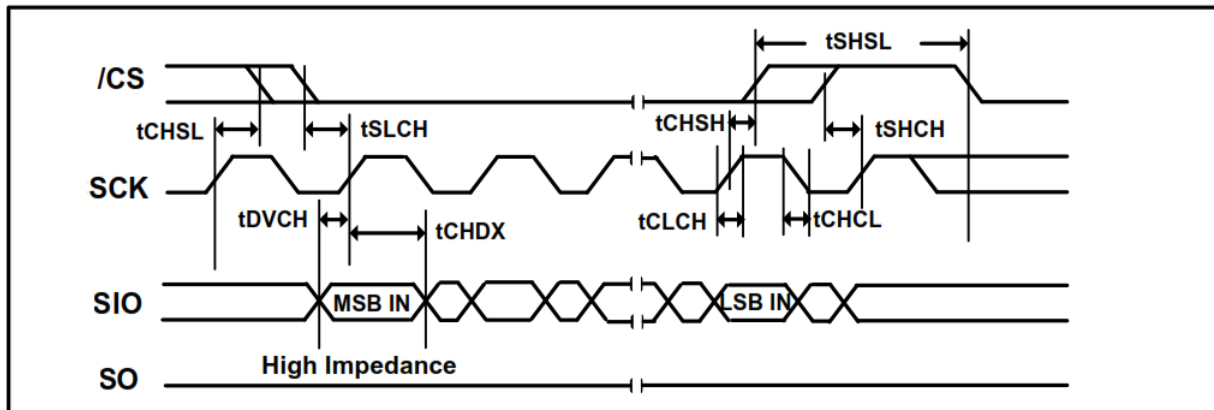
Parameter ⁽¹⁾	Symbol	Alt	Min	Typ	Max	Unit
Clock frequency for all instructions, except Read Data and Fast Read Data in SPI mode (03h, 0Bh) 1.7V - 2.0V VCC and industrial temperature	f _R	f _c	D.C.		133	MHz
Clock freq. Fast Read Data instruction in SPI mode (0Bh)	f _R		D.C.		104	MHz
Clock freq. Read Data instruction in SPI mode (03h)	f _R		D.C.		50	MHz
Clock High, Low Time except Read Data (03h)	t _{CLH} , t _{CLL} ⁽²⁾		3.5			ns
Clock High, Low Time for Read Data (03h)	t _{CRLH} , t _{CRLL} ⁽²⁾		8			ns
Clock Rise Time peak-to-peak	t _{CLCH} ⁽³⁾		0.1			V/ns
Clock Fall Time peak-to-peak	t _{CHCL} ⁽³⁾		0.1			V/ns
$\overline{\text{CS}}$ Active Setup Time relative to Clock	t _{SLCH}	t _{CSS}	5			ns
$\overline{\text{CS}}$ Not Active Hold Time relative to Clock	t _{CHSL}		5			ns
Data In Setup Time	t _{DVCH}	t _{DSU}	2			ns
Data In Hold Time	t _{CHDX}	t _{DH}	3			ns
$\overline{\text{CS}}$ Active Hold Time relative to Clock	t _{CHSH}		5			ns
$\overline{\text{CS}}$ Not Active Setup Time relative to Clock	t _{CHSH}		5			ns
$\overline{\text{CS}}$ Deselect Time (for Read instructions/Write, Erase and Program instructions)	t _{SHSL}	t _{CSH}	100			ns
Output Disable Time	t _{SHQZ} ⁽³⁾	t _{DIS}			7	ns
Clock Low to Output Valid	t _{CLQV}	t _{V1}			6	ns
Clock Low to Output Valid (Except Main Read) ⁽⁴⁾	t _{CLQV}	t _{V2}			7	ns
Output Hold Time	t _{CLQX}	t _{HO}	1.5			ns
$\overline{\text{HOLD}}$ Active Setup Time relative to Clock	t _{HLCH}		5			ns
$\overline{\text{HOLD}}$ Active Hold Time relative to Clock	t _{CHHH}		5			ns
$\overline{\text{HOLD}}$ Not Active Setup Time relative to Clock	t _{HHCH}		5			ns
$\overline{\text{HOLD}}$ Not Active Hold Time relative to Clock	t _{CHHL}		5			ns
$\overline{\text{HOLD}}$ to Output Low-Z	t _{HHQX} ⁽³⁾	t _{LZ}			7	ns
$\overline{\text{HOLD}}$ to Output High-Z	t _{HLQZ} ⁽³⁾	t _{HZ}			12	ns
Write Protect Setup Time Before $\overline{\text{CS}}$ Low	t _{WHSL} ⁽⁵⁾		20			ns
Write Protect Setup Time After $\overline{\text{CS}}$ High	t _{SHWL} ⁽⁵⁾		100			ns
$\overline{\text{CS}}$ High to Power Down Mode	t _{DP} ⁽³⁾				3	μs
$\overline{\text{CS}}$ High to Standby Mode without Electronic Signature Read	t _{RES1} ⁽³⁾				3	μs
$\overline{\text{CS}}$ High to Standby Mode with Electronic Signature Read	t _{RES2} ⁽³⁾				1.8	μs

Table 8-7. AC Electrical Characteristics (Continued)

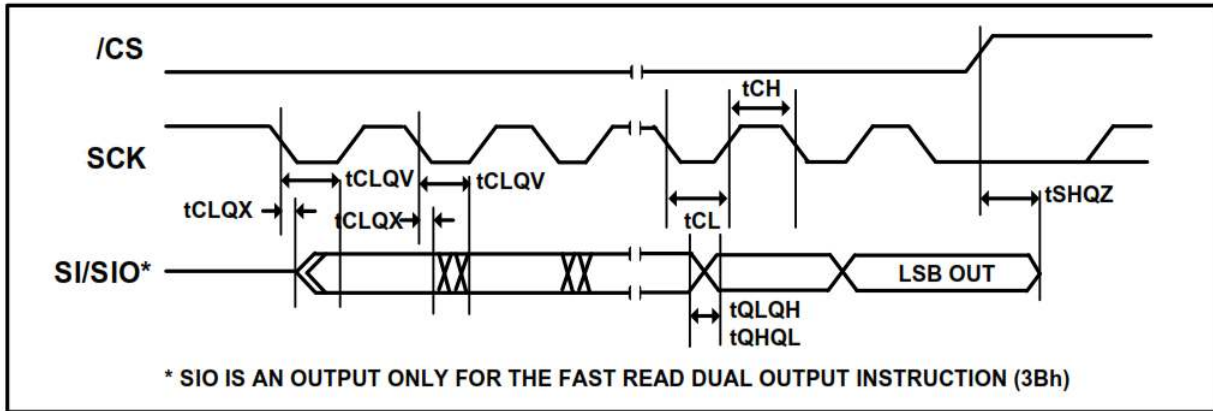
Parameter ⁽¹⁾	Symbol	Alt	Min	Typ	Max	Unit
$\overline{\text{CS}}$ High to next Instruction after Suspend	$t_{\text{SUS}}^{(3)}$				30	μs
$\overline{\text{CS}}$ High to next Instruction after Reset	$t_{\text{RST}}^{(3)}$				30	μs
Write Status Register Time	t_{W}			5	15	ms
Byte Program Time	t_{BP}			5	150	μs
Page Program Time	t_{PP}			0.6	5	ms
Block Erase Time (4KB)	t_{SE}			0.06	0.4	s
Block Erase Time (32KB)	t_{BE1}			0.2	1.5	s
Block Erase Time (64KB)	t_{BE2}			0.35	2	s
Chip Erase Time	t_{CE}			60	300	s

- Commercial temperature only applies to Fast Read (FR). Industrial temperature applies to all other parameters.
- Clock high + Clock low must be less than or equal to $1/f_c$.
- Value guaranteed by design and/or characterization, not 100% tested in production.
- Contains: Read Status Register-1, 2/ Read Manufacturer/Device ID, Dual, Quad/ Read JEDEC ID/ Read Security Register/ Read Serial Flash Discovery Parameter.
- Only applicable as a constraint for a Write Status Register instruction when Sector Protect Bit is set to 1.

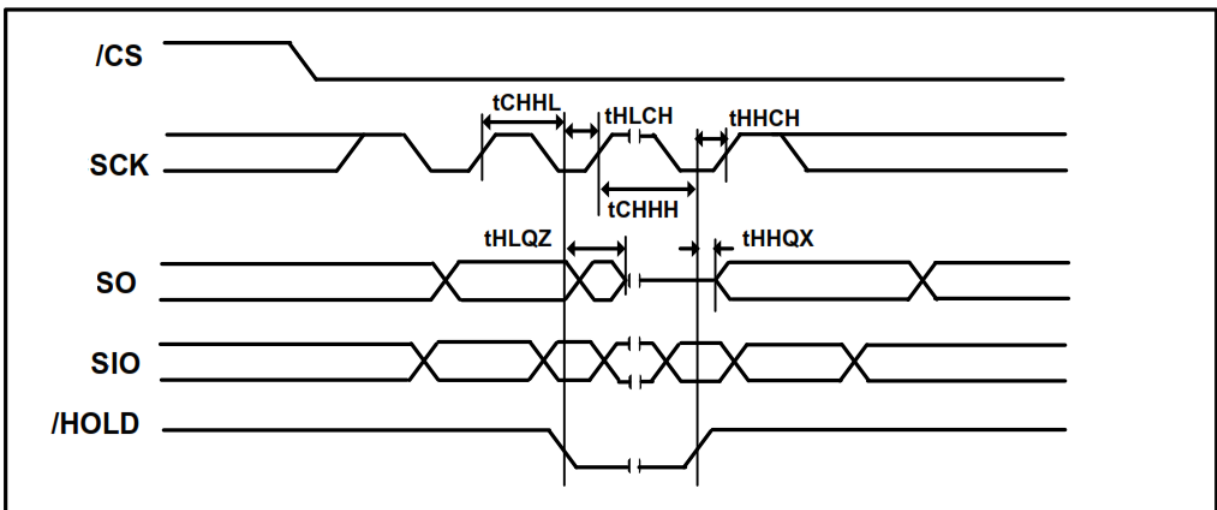
8.4 Input Timing



8.5 Output Timing

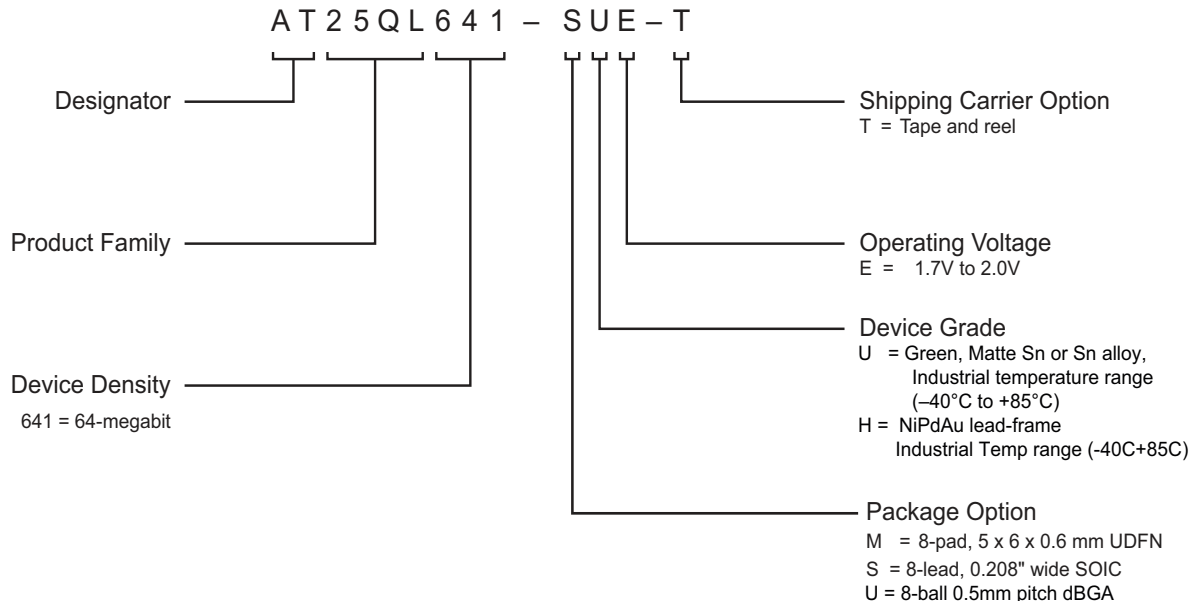


8.6 Hold Timing



9. Ordering Information

9.1 Ordering Code Detail



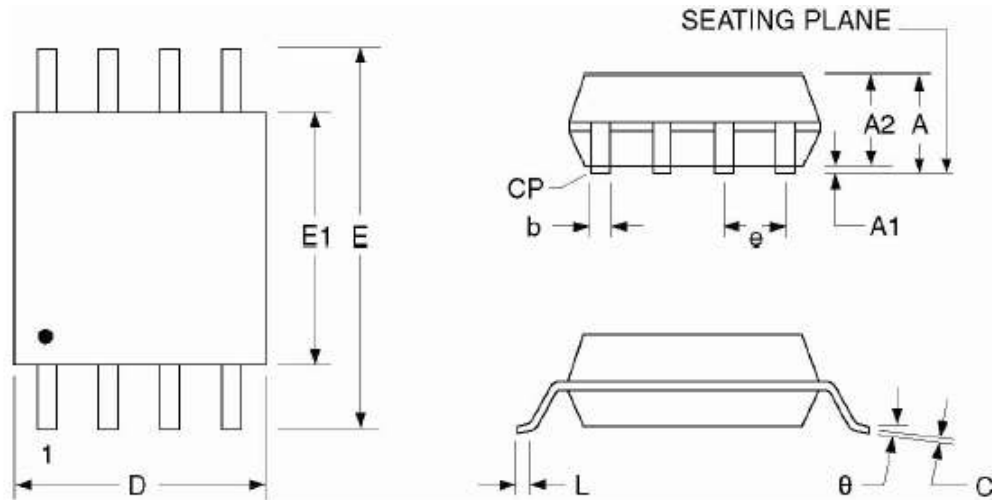
Ordering Code ^{(1) (2)}	Package	Lead Finish	Operating Voltage	Max. Freq. (MHz)	Operation Range
AT25QL641-MHE-T	8MA1	NiPdAu	1.7V - 2.0V	133 MHz	-40 °C to 85 °C (Industrial Temperature Range)
AT25QL641-SUE-T	8S4	SnAgCu			
AT25QL641-UUE-T	8-WLCSP				

- The AT25QL641 is shipped with the QE bit set to 1 enabling the Quad / QPI mode.
- The shipping carrier option code is not marked on the devices.

Package Type	
8S4	8-lead, 0.208" Wide, Plastic Gull Wing Small Outline Package (EIAJ SOIC)
8MA1	8-pad (5 x 6 x 0.6 mm body), Thermally Enhanced Plastic Ultra-Thin Dual Flat No-lead (UDFN)
8-WLCSP	8-ball, 0.5mm pitch, die Ball Grid Array (dBGA)


10. Packaging Information

10.1 8S4 – 8-lead, .208" EIAJ SOIC

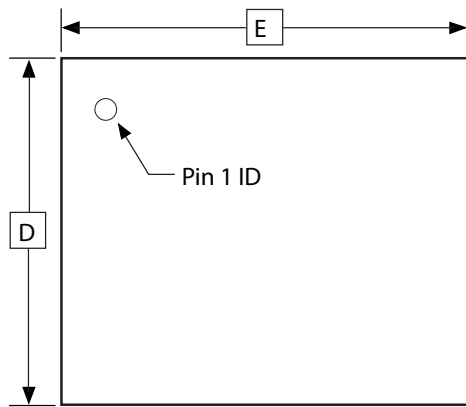


SYMBOL	MILLIMETERS			INCHES		
	MIN	NOM	MAX	MIN	NOM	MAX
A	1.75	1.95	2.16	0.069	0.077	0.085
A1	0.05	0.15	0.25	0.002	0.006	0.010
A2	1.70	1.80	1.91	0.067	0.071	0.075
B	0.35	0.42	0.48	0.014	0.017	0.019
C	0.19	0.20	0.25	0.007	0.008	0.010
D	5.18	5.28	5.38	0.204	0.208	0.212
E	7.70	7.90	8.10	0.303	0.311	0.319
E1	5.18	5.28	5.38	0.204	0.208	0.212
e	1.27 BSC			0.050 BSC		
L	0.50	0.65	0.80	0.020	0.026	0.031
θ	0°	-	8°	0°	-	8°
Y	-	-	0.10	-	-	0.004

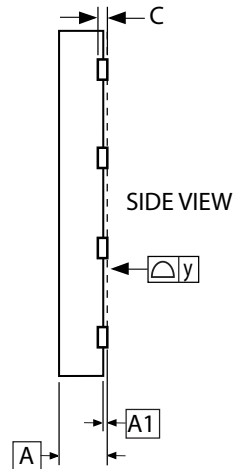
5/5/16

 Package Drawing Contact: contact@adestotech.com	TITLE 8S3, 8-lead, 0.208" Body, Plastic Small Outline Package (EIAJ)	GPC	DRAWING NO.	REV.
		STN	8S3	A

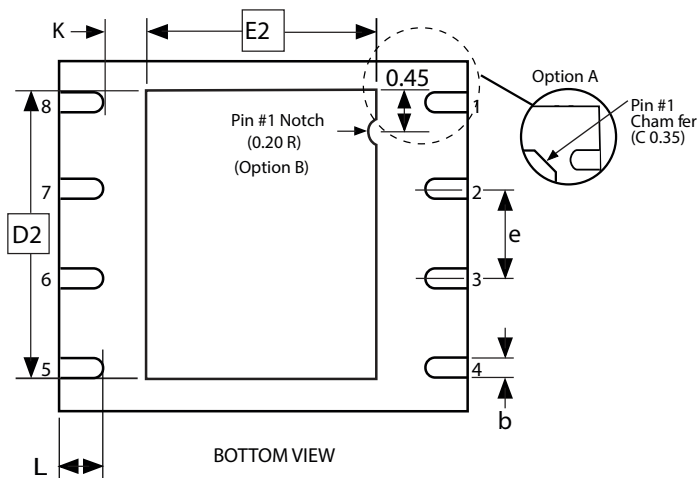
10.2 8MA1 – UDFN



TOP VIEW



SIDE VIEW



BOTTOM VIEW

COMMON DIMENSIONS
(Unit of Measure = mm)

SYMBOL	MIN	NOM	MAX	NOTE
A	0.45	0.55	0.60	
A1	0.00	0.02	0.05	
b	0.35	0.40	0.48	
C	0.152 REF			
D	4.90	5.00	5.10	
D2	3.80	4.00	4.20	
E	5.90	6.00	6.10	
E2	3.20	3.40	3.60	
e	1.27			
L	0.50	0.60	0.75	
y	0.00	-	0.08	
K	0.20	-	-	

- Notes: 1. This package conforms to JEDEC reference MO-229, Saw Singulation.
2. The terminal #1 ID is a Laser-marked Feature.

4/15/08

adesto[®] TECHNOLOGIES
Package Drawing Contact:
contact@adestotech.com

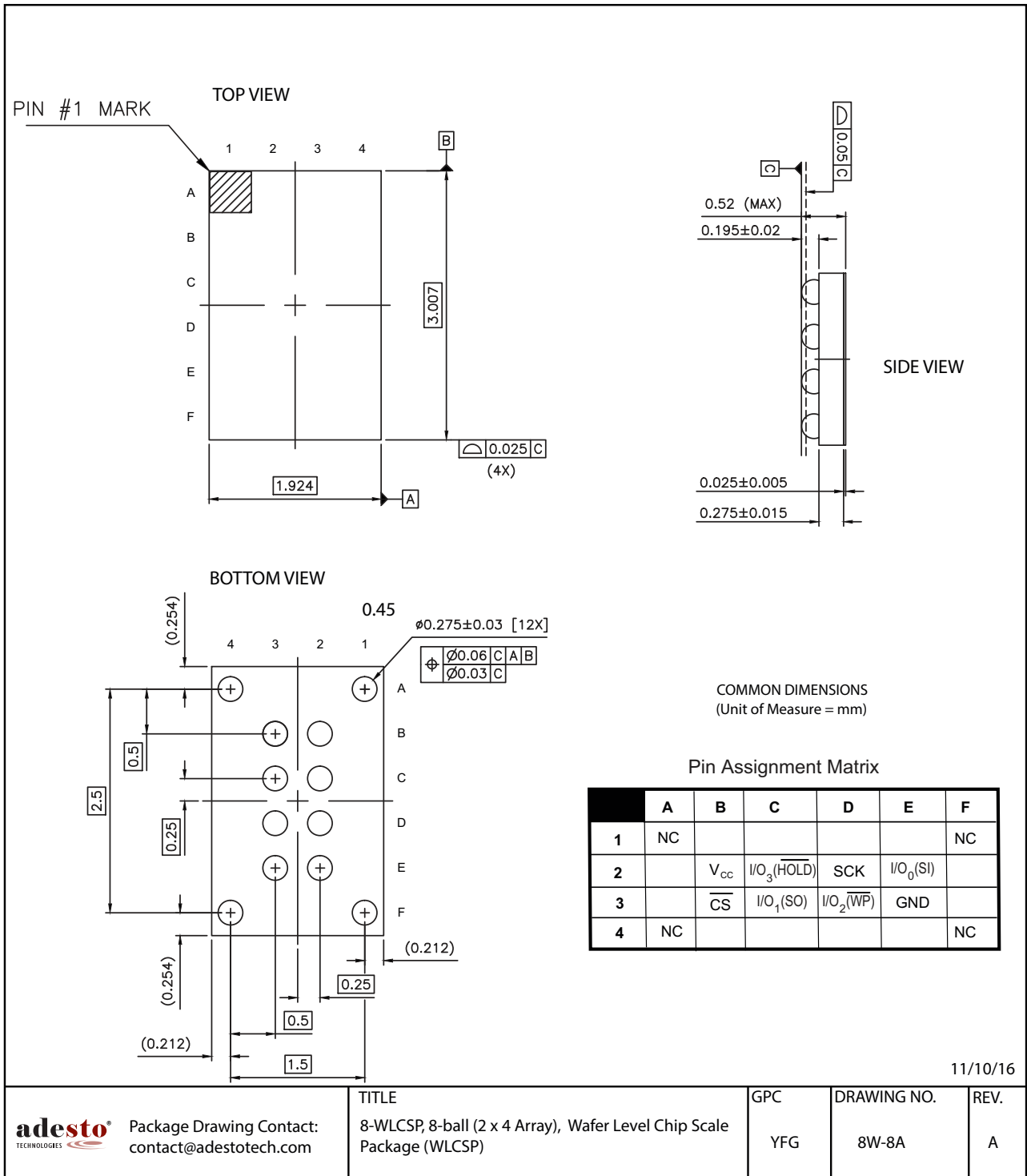
TITLE
8MA1, 8-pad (5 x 6 x 0.6 mm Body), Thermally
Enhanced Plastic Ultra Thin Dual Flat No Lead
Package (UDFN)

GPC
YFG

DRAWING NO.
8MA1

REV.
D

10.3 8-WLCSP — die Ball Grid Array



Package Drawing Contact:
contact@adestotech.com

TITLE
8-WLCSP, 8-ball (2 x 4 Array), Wafer Level Chip Scale
Package (WLCSP)

GPC
YFG

DRAWING NO.
8W-8A

REV.
A

11. Revision History

Revision	Date	Change Description
A	12/2016	Initial release of AT25QL641 datasheet.
B	02/2017	Updated Note 1 on Table 8.1.
C	05/2017	Updated Table 1-1 (\overline{WP} pin description). Updated 5.1 (Write Protect Features). Updated Tables 6-1 and 6-2. Restored Sector and Block Protect descriptions. Restored Status Register Memory Protection tables (Tables 6-3 and 6-4). Added clarification to Write Status Register (01h) description. Updated document status from Advanced to Complete. Added Errata 11.1.
D	11/2017	Removed references to 133 MHz option. Removed RESET option. Removed 18-WLCSP and 24-ball BGA package options. Removed references to ACC feature.
E	10/2018	Added 133 MHz frequency option to document. Updated maximum frequency to 133 MHz on page 1. Updated frequencies in Section 1. Updated formatting of all tables in document. Updated Word Read Quad I/O instruction diagram in Figure 7-50. Updated frequency in Burst Read with Wrap instruction in Figure 7-54. Updated tables in Section 7.33, Set Read Parameters (C0h). Updated AC Electrical Characteristics table in Table 8-7 with 133 MHz option. Clarified frequency and timing parameters for the 03h and 0Bh instructions in Table 8-7. Updated ordering code table in Section 9.1. Removed DWF package. Updated maximum continuous data transfer rate from 52 Mbps to 66 Mbps on page 1.

11.1 Errata:

Appendix A

1. If Status Register-2 CMP bit is 0, and Status Register-1 bits {SEC,TB,BP2,BP1,BP} are {1,0,0,0,1}, address 7FF000h-7FFFFFFh *is protected* from any Program or Erase commands. However, this setting does *not* protect the rest of Sector 127 or the rest of Block 255 from 64Kbit or 32kbit Block Erase commands. If a 64Kbit Block Erase Command is issued to Sector 127, address 7F0000h-7FEFFFh *will* be erased. If a 32Kbit Block Erase Command is issued to Block 255, address 7F8000h-7FEFFFh *will* be erased.

Workaround: If this protection bit combination is used and the behavior described in Note 3 is required, avoid using 64Kbit or 32kbit Block Erase commands for this specific memory region.

2. If Status Register-2 CMP bit is 1, and Status Register-1 bits {SEC,TB,BP2,BP1,BP} are {1,1,0,0,1}, address 001000h-7FFFFFFh *is protected* from any Program or Erase commands. However, this setting does *not* protect the rest of Sector 0 or the rest of Block 0 from 64Kbit or 32kbit Block Erase commands. If a 64Kbit Block Erase Command is issued to Sector 0, address 000000h-000FFFh *will* be erased. If a 32Kbit Block Erase Command is issued to Block 0, address 000000h-000FFFh *will* be erased.

Workaround: If this protection bit combination is used and the behavior described in Note 3 is required, avoid using 64Kbit or 32kbit Block Erase commands for this specific memory region.



Corporate Office

California | USA

Adesto Headquarters

3600 Peterson Way

Santa Clara, CA 95054

Phone: (+1) 408.400.0578

Email: contact@adestotech.com

© 2018 Adesto Technologies. All rights reserved. DS-25QL641-130E-10/2018

Adesto, the Adesto logo, CBRAM and DataFlash are trademarks or registered trademarks of Adesto Technologies Corporation in the United States and other countries. Other company, product, and service names may be trademarks or service marks of others. Adesto products are covered by one or more patents listed at <http://www.adestotech.com/patents>.

Disclaimer: Adesto Technologies Corporation ("Adesto") makes no warranties of any kind, other than those expressly set forth in Adesto's Terms and Conditions of Sale at <http://www.adestotech.com/terms-conditions>. Adesto assumes no responsibility or obligations for any errors which may appear in this document, reserves the right to change devices or specifications herein at any time without notice, and does not make any commitment to update the information contained herein. No licenses to patents or other intellectual property of Adesto are granted by Adesto herewith or in connection with the sale of Adesto products, expressly or by implication. Adesto's products are not authorized for use in medical applications (including, but not limited to, life support systems and other medical equipment), weapons, military use, avionics, satellites, nuclear applications, or other high risk applications (e.g., applications that, if they fail, can be reasonably expected to result in personal injury or death) or automotive applications, without the express prior written consent of Adesto.

X-ON Electronics

Largest Supplier of Electrical and Electronic Components

Click to view similar products for [NOR Flash](#) category:

Click to view products by [Dialog Semiconductor](#) manufacturer:

Other Similar products are found below :

[615309A](#) [MBM29F200TC-70PFTN-SFLE1](#) [MBM29F800BA-90PF-SFLE1](#) [8 611 200 906](#) [9990933135](#) [AM29BL162CB-80RDPE1](#)
[AM29F200BB-90DPI 1](#) [AT25DF021A-MHN-Y](#) [AT25DF256-SSHN-T](#) [EAN62691701](#) [MX29F200CTMI-70G](#) [PC28F320J3F75A](#) [8 905 959](#)
[252](#) [S29AL008J55BFIR20](#) [S29AL016J70FFI022](#) [S29AS016J70BHIF40](#) [S99-50389 P](#) [AM29F016D-120DPI 1](#) [MBM29F400BC-](#)
[90PFVGTSFLE1](#) [MBM29F800BA-70PFTN-SFLE1](#) [AT25DF011-MAHN-T](#) [AT25DF011-SSHN-T](#) [AT25DF011-XMHN-T](#) [AT25DF041B-](#)
[MHN-Y](#) [AT45DB161E-CCUD-T](#) [RP-SDCCTH0](#) [S29PL127J70BAI020](#) [S99-50052](#) [MX25L6473EM2I-10G](#) [W29GL256SL9T](#)
[W29GL128CH9C](#) [W29GL128CH9B](#) [W29GL032CL7B](#) [MX25L3233FMI-08G](#) [S99-50243 P](#) [S29GL512T10DHI020](#) [S26KS128SDGBHI030](#)
[S26KL256SDABHB030](#) [S26KL128SDABHB020](#) [PC28F640J3F75B](#) [W29GL256SH9C](#) [S99-50239](#) [S29GL032N11FFIS12](#)
[S26KS512SDABHB030](#) [S26KL256SDABHA020](#) [S25FS128SAGMFV100](#) [S25FS064SDSNFN030](#) [S29AL016D90MAI020\(SPANSION\)](#)
[AM29F200BT-70EF\(SPANSION\)](#) [LE25S40MB-AH](#)