

General Description

The CCE4510 is a high-voltage interface IC with overvoltage detection as well as high temperature and high current protection, based upon a 0.35 μm HV-CMOS technology.

Typical applications are industrial sensors or actuators, which should support the IO-Link standard. To improve the application performance, an integrated IO-Link frame handler is provided, which automates most of the lower layer communication tasks. This reduces the microcontroller loads significantly, thus gaining more performance for other tasks, even if slower microcontrollers are used.

A variety in fields of application is given by different packaging and configuration options.

1.1 Features

- Two IO-Link compliant channels with 1 A peak driving current
- Wide voltage range 8-32 V
- Transceiver mode (SIO)
- Integrated UART (COM1-3)
- Hardware frame handler (support for all IO-Link v1.1 frame types)
- Fully IO-Link v1.1 compliant
- Possibility to use IO-Link ports as master or device
- Completely automated wake-up procedure for master
- Two status LED drivers
- Synchronization features for IO Link channels and LEDs over multiple chips
- Includes NMOS gate drivers to switch power supply of devices
- Supports feed through of clock
- Temperature and supply voltage monitoring and protection
- Overload protection for channels and connected devices
- Ideal fit for 2/4/8/16-port IO Link master applications
- Evaluation boards available

1.2 Schematic

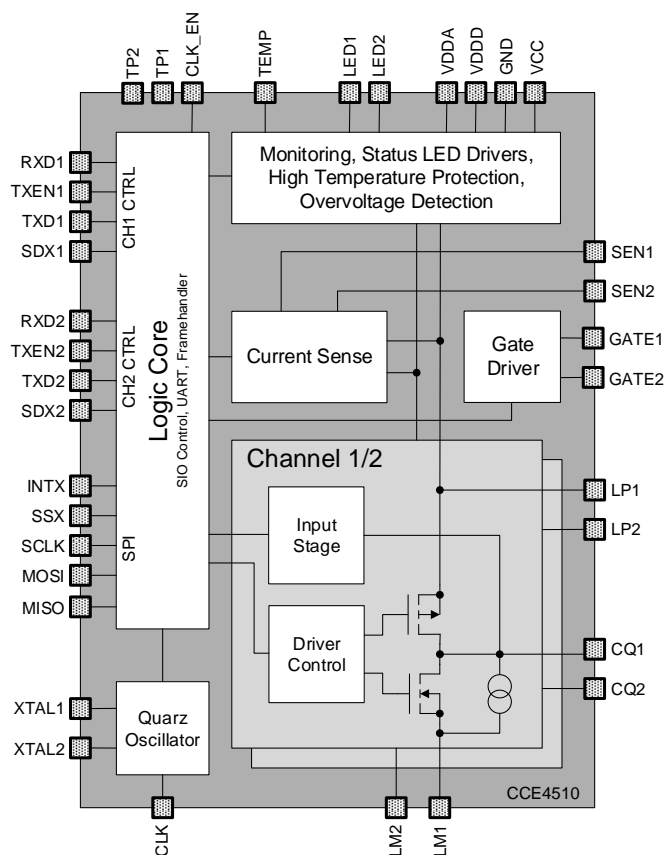


Figure 1: Block Diagram

IO-Link Master PHY with integrated Frame Handler

Contents

General Description	1
1.1 Features	1
1.2 Schematic	1
2 Pinout	5
2.1 Package	5
2.2 Pin Descriptions	6
3 Absolute Maximum Ratings	7
4 Electrical Characteristics	8
4.1 General Parameters	8
4.2 IO-Link Channels	8
4.3 NMOS Gate Drivers	9
4.4 Oscillator	9
4.5 Digital Pads	10
4.6 Serial Peripheral Interface	10
4.7 Current Sensing	10
4.8 Monitoring Thresholds	11
4.9 LEDs	11
5 Functional Description	11
5.1 Clocking	11
5.2 Operational Modes	11
5.2.1 Standard I/O (SIO)	12
5.2.2 UART	12
5.2.3 Frame Handler	12
5.3 Interrupt Handling	14
5.3.1 Mode 1	14
5.3.2 Mode 2	14
5.3.3 Interrupt Masking	15
5.4 Protection Features	15
5.4.1 Current Sensing	16
5.4.2 Voltage/Temperature Monitoring	17
5.5 Additional IO-Link Features	17
5.5.1 Automated Wake-Up	17
5.5.2 Cycle Timer	17
5.5.3 Channel Synchronization	18
5.5.4 LED Drivers	18
5.6 Serial Peripheral Interface	19
5.6.1 Transaction Format	19
5.6.2 MOSI Format	19
5.6.3 MISO Format	20
5.6.4 MISO Status Nibble	20
5.7 Register Description	21
5.7.1 Register Overview	21
5.7.2 MODE1/2 (0x20/0x40)	23
5.7.3 OVLD1/2 (0x21/0x41)	23
5.7.4 SHRT1/2 (0x22/0x42)	24

IO-Link Master PHY with integrated Frame Handler

5.7.5	SIO1/2 (0x23/0x43).....	24
5.7.6	UART1/2 (0x24/0x44)	25
5.7.7	FHC1/2 (0x25/0x45)	25
5.7.8	OD1/2 (0x26/0x46)	25
5.7.9	MPD1/2 (0x27/0x47).....	26
5.7.10	DPD1/2 (0x28/0x48)	26
5.7.11	CYCT1/2 (0x29/0x49)	26
5.7.12	FHD1/2 (0x2A/0x4A).....	27
5.7.13	BLVL1/2 (0x2B/0x4B)	27
5.7.14	IMSK1/2 (0x2C/0x4C).....	27
5.7.15	LSEQ1/2 (0x2D/0x4D).....	28
5.7.16	LHLD1/2 (0x2E/0x4E).....	28
5.7.17	CFG1/2 (0x2F/0x4F).....	28
5.7.18	TRSH1/2 (0x30/0x50)	29
5.7.19	STAT (0x60)	29
5.7.20	SMSK (0x61)	30
5.7.21	SYNC (0x62).....	30
5.7.22	PROT (0x63).....	30
5.7.23	INT (0x64).....	31
5.7.24	REV (0x70)	31
6	Application notes	32
6.1	Gate Drivers / External Sense	32
6.2	No Gate Drivers / Internal Sense	33
7	Package Outline	34
7.1	QFN48 Package.....	34
7.2	QFN24 Package.....	35
8	Tape and Reel Information	36
8.1	Tape QFN48 Package	36
8.2	Tape QFN24 Package	36
8.3	Reel Information.....	37
9	Ordering Information	37
	Revision History	38

Figures

Figure 1: Block Diagram	1
Figure 2: QFN48 Package (7x7 mm)	5
Figure 3: QFN24 Package (4x4 mm)	5
Figure 4: Frame Lengths	13
Figure 5: Master Mode Sequence	13
Figure 6: Device Mode Sequence	14
Figure 7: Interrupt Trigger Positions.....	15
Figure 8: High Current Detection.....	16
Figure 9: Overload/Short Protection Timing.....	17
Figure 10: IO-Link LED Timing.....	19
Figure 11: SPI Timing Diagram	19
Figure 12: Gate Drivers / External Sense.....	32

IO-Link Master PHY with integrated Frame Handler

Figure 13: No Gate Drivers / Internal Sense	33
Figure 14: QFN48 Package	34
Figure 15: QFN24 Package	35

Tables

Table 1: Pin Descriptions	6
Table 2: Absolute Maximum Ratings	7
Table 3: General Parameters	8
Table 4: IO-Link Channels	8
Table 5: NMOS Gate Drivers	9
Table 6: Oscillator	9
Table 7: Digital Pads	10
Table 8: Serial Peripheral Interface	10
Table 9: Current Sensing	10
Table 10: Monitoring Thresholds	11
Table 11: LEDs	11
Table 12: Frame Handler Interrupts	15
Table 13: Sample Configuration	18
Table 14: MOSI Format	19
Table 15: MISO Format	20
Table 16: MISO Status Nibble	20
Table 17: Register Overview	21
Table 18: MODE1/2 register	23
Table 19: OVLD1/2 register	23
Table 20: SHRT1/2 register	24
Table 21: SIO1/2 register	24
Table 22: UART1/2 register	25
Table 23: FHC1/2 register	25
Table 24: OD1/2 register	25
Table 25: MPD1/2 register	26
Table 26: DPD1/2 register	26
Table 27: CYCT1/2 register	26
Table 28: FHD1/2 register	27
Table 29: BLVL1/2 register	27
Table 30: IMSK1/2 register	27
Table 31: LSEQ1/2 register	28
Table 32: LHLD1/2 register	28
Table 33: CFG1/2 register	28
Table 34: TRSH1/2 register	29
Table 35: STAT register	29
Table 36: SMSK register	30
Table 37: SYNC register	30
Table 38: PROT register	30
Table 39: INT register	31
Table 40: REV register	31
Table 41: Ordering Information	37

IO-Link Master PHY with integrated Frame Handler

2 Pinout

2.1 Package

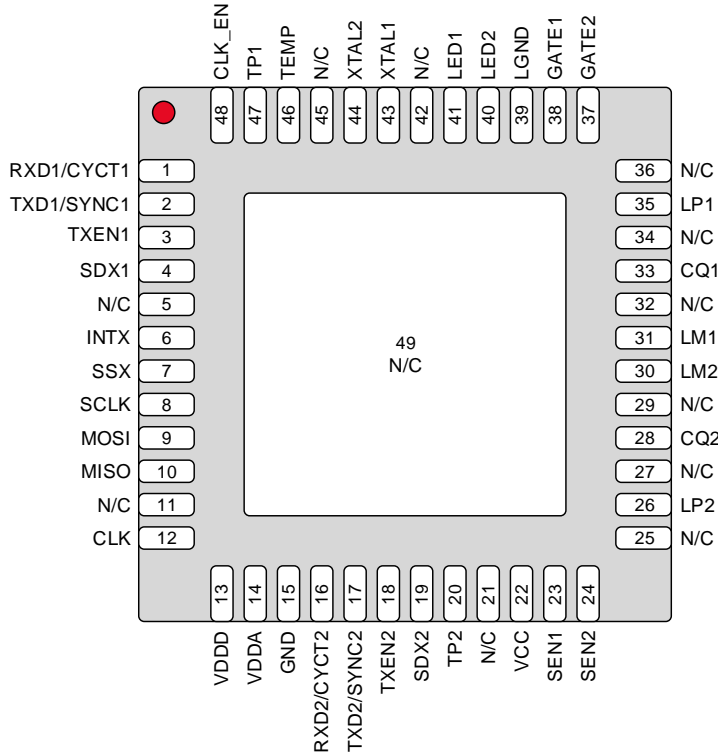


Figure 2: QFN48 Package (7x7 mm)

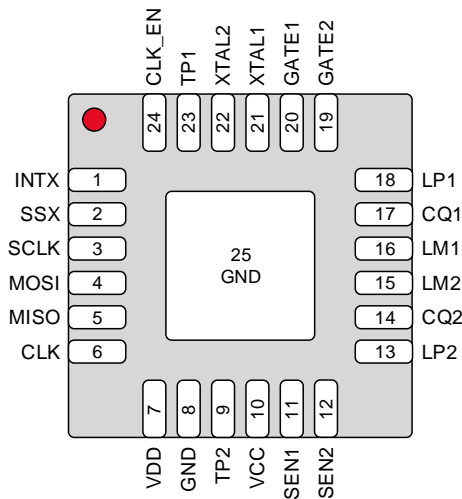


Figure 3: QFN24 Package (4x4 mm)

IO-Link Master PHY with integrated Frame Handler

2.2 Pin Descriptions

Table 1: Pin Descriptions

Symbol	Pin QFN24	Pin QFN48	Type	Description
RXD1/CYCT1	-	1	OUT	RXD1: CQ1 input; inverted CYCT1: Cycle time indicator channel 1
TXD1/SYNC1	-	2	IN	TXD1: CQ1 output; internal pull-down; inverted SYNC1: Channel 1 synchronization trigger
TXEN1	-	3	IN	CQ1 driver enable; active high, internal pull-down
SDX1	-	4	OUT	Device 1 short detected; active low
INTX	1	6	OUT	SPI interrupt signal; active low
SSX	2	7	IN	SPI slave select; active low; internal pull-up
SCLK	3	8	IN	SPI clock; internal pull-down
MOSI	4	9	IN	SPI data in; internal pull-down
MISO	5	10	OUT	SPI data out; tri-state if SSX is high
CLK	6	12	OUT	Buffered clock feed through
VDDD	-	13	PWR	3.3 V digital voltage supply
VDDA	-	14	PWR	3.3 V analog voltage supply
VDD	7	-	PWR	3.3 V voltage supply
GND	8/25	15	PWR	Ground
RXD2/CYCT2	-	16	OUT	RXD2: CQ2 input; inverted CYCT2: Cycle time indicator channel 2
TXD2/SYNC2	-	17	IN	RXD2: CQ2 output; internal pull-down; inverted SYNC2: Channel 2 synchronization trigger
TXEN2	-	18	IN	CQ2 driver enable; active high, internal pull-down
SDX2	-	19	OUT	Device 2 short detected; active low
TP2	9	20	OUT	Test Point 2; leave open
VCC	10	22	PWR	24 V main voltage supply
SEN1	11	23	IN	Sense input channel 1
SEN2	12	24	IN	Sense input channel 2
LP2	13	26	PWR	Sensor supply channel 1
CQ2	14	28	IN/OUT	IO-Link channel 2
LM2	15	30	PWR	Sensor ground 2
LM1	16	31	PWR	Sensor ground channel 1
CQ1	17	33	IN/OUT	IO-Link channel 1
LP1	18	35	PWR	Sensor supply channel 1
GATE2	19	37	OUT	NMOS gate driver channel 2
GATE1	20	38	OUT	NMOS gate driver channel 1
LGND	-	39	PWR	LED ground
LED2	-	40	OUT	LED driver channel 2
LED1	-	41	OUT	LED driver channel 1

IO-Link Master PHY with integrated Frame Handler

Symbol	Pin QFN24	Pin QFN48	Type	Description
XTAL1	21	43	IN	Crystal input; external clock source input
XTAL2	22	44	OUT	Crystal feedback
TEMP	-	46	OUT	High temperature indication, active high
TP1	23	47	IN	Test Point 1; internal pull-down; leave open or tie to ground
CLK_EN	24	48	IN	Enable buffered clock feed through; internal pull-down

3 Absolute Maximum Ratings

Table 2: Absolute Maximum Ratings

Parameter	Symbol	Conditions	Min	Typ	Max	Unit
Supply Voltage	VCC	static	-0.7		36	V
Power dissipation QFN48	P _{TOT_QFN48}	Multilayer PCB, Exp. Pad soldered, $\vartheta_{AMB} = 60^{\circ}\text{C}$			2	W
Power dissipation QFN24	P _{TOT_QFN24}	Multilayer PCB, Exp. Pad soldered, $\vartheta_{AMB} = 60^{\circ}\text{C}$			1.5	W
Junction Temperature	ϑ_{JUNC}				150	$^{\circ}\text{C}$
ESD-sensitivity	V _{ESD}	Human Body Model EIA/JESD22-A114-B	2			kV
Storage Temperature	$\vartheta_{STORAGE}$		-55		155	$^{\circ}\text{C}$
Soldering Temperature	ϑ_{SOLDER}	12 s max			260	$^{\circ}\text{C}$
FIT Rate		$\vartheta_{JUNC} \leq 55^{\circ}\text{C}$			50	FIT

Note 1 Functional operation is only guaranteed within operating conditions listed under “Electrical Characteristics”. Exposure to absolute maximum rating conditions for extended periods of time may affect device reliability. Exposure to conditions beyond those ratings may cause permanent damage to the device.

IO-Link Master PHY with integrated Frame Handler

4 Electrical Characteristics

Electrical characteristics are valid for the whole specified temperature range and supply voltage range, if not otherwise noted.

4.1 General Parameters

Table 3: General Parameters

Parameter	Symbol	Conditions	Min	Typ	Max	Unit
Main Supply Voltage	VCC		8	24	32	V
Quiescent Current Main Supply	I _{VCC}				5	mA
Pad Supply Voltage	VDD		3.1	3.3	3.5	V
Quiescent Current Pad Supply	I _{VDD}				5	mA
Operating Temperature	ϑ _{AMB}		-40		85	°C
Thermal Resistance Case	ϑ _{JC_QFN48}	Junction to Case; QFN48		0.5		°C/W
Thermal Resistance Ambient	ϑ _{JA_QFN48}	Junction to Ambient; QFN48		29		°C/W
Thermal Resistance Case	ϑ _{JC_QFN24}	Junction to Case; QFN24		2.7		°C/W
Thermal Resistance Ambient	ϑ _{JA_QFN24}	Junction to Ambient; QFN24		43		°C/W

4.2 IO-Link Channels

Table 4: IO-Link Channels

Parameter	Symbol	Conditions	Min	Typ	Max	Unit
LP Supply Voltage	V _{LP}		8	24	32	V
Permissible Voltage Range	V _{CQ}		-0.3		V _{LP} +0.3	V
Load or Discharge Current	I _{CQ_LOAD}	can be disabled; see 5.7.17		10	15	mA
DC Driver Current 'H'	I _{CQH}				300	mA
DC Driver Current 'L'	I _{CQL}				300	mA
Residual Voltage 'H'	V _{RESH}	Voltage drop at I _{CQH_MAX}			3	V
Residual Voltage 'L'	V _{RESL}	Voltage drop at I _{CQL_MAX}			3	V
Output Peak Current 'H'	I _{PEAKH}	Duration t _{PEAK} = 1 ms	0.5	1		A
Output Peak Current 'L'	I _{PEAKL}	Duration t _{PEAK} = 1 ms	0.5	1		A
Capacitive Load	C _{LOAD}			1		nF
Output Driver Rise Time	t _{RISE}	C _{NOM} =1 nF			300	ns
Output Driver Fall Time	t _{FALL}	C _{NOM} =1 nF			300	ns

IO-Link Master PHY with integrated Frame Handler

Parameter	Symbol	Conditions	Min	Typ	Max	Unit
Break Before Make Delay	t _{BBM}				50	ns
Input Detection Time 'H'	t _{DETH}				300	ns
Input Detection Time 'L'	t _{DETL}				300	ns
Input Threshold 'H'	V _{THH_IOL}	IO-Link mode; see 5.7.17	10.5		13	V
Input Threshold 'L'	V _{THL_IOL}	IO-Link mode; see 5.7.17	8		11.5	V
Hysteresis input threshold	V _{HYS_IOL}	IO-Link mode; see 5.7.17		2		V
Input Threshold 'H'	V _{THH_RAT}	Ratiometric mode; see 5.7.17	0.55 V _{LP}			V
Input Threshold 'L'	V _{THL_RAT}	Ratiometric mode; see 5.7.17			0.4 V _{LP}	V
Hysteresis input threshold	V _{HYS_RAT}	Ratiometric mode; see 5.7.17		0.0125 V _{LP}		V

4.3 NMOS Gate Drivers

Table 5: NMOS Gate Drivers

Parameter	Symbol	Conditions	Min	Typ	Max	Unit
On Switching Time	t _{GATE_ON}	C _{GATE} = 1 nF		1		ms
Off Switching Time	t _{GATE_OFF}	C _{GATE} = 1 nF		10		μs
Output Voltage	V _{GATE}	V _{CC} ≥ 15 V	V _{CC} +4		V _{CC} +8	V
External Capacitance	C _{GATE}			1		nF
Transistor Leakage Current	I _{TGSL}	Gate to Source (external NMOS)			1	μA

4.4 Oscillator

Table 6: Oscillator

Parameter	Symbol	Conditions	Min	Typ	Max	Unit
Frequency	f _{OSC}	External crystal		14.7456		MHz
Startup Time	t _{OSC_START}			30		ms
Rise Time	t _{OSC_RISE}			5		ns
Fall Time	t _{OSC_FALL}			5		ns
CLK Pin Driving Capability	C _{OUT_MAX}				15	pF

IO-Link Master PHY with integrated Frame Handler

4.5 Digital Pads

Table 7: Digital Pads

Parameter	Symbol	Conditions	Min	Typ	Max	Unit
Input Voltage 'H'	V _{INH}		0.7 VDD			V
Input Voltage 'L'	V _{INL}				0.3 VDD	V
Input Hysteresis	V _{IHYST}			340		mV
Input Capacitance	C _{IN}			5		pF
Input Leakage Current	I _{ILEAK}	No pull-up/pull-down	-1		1	μA
Output Voltage 'H'	V _{OUTH}		0.8 VDD			V
Output Voltage 'L'	V _{OUTL}				0.4	V
Output Leakage Current	I _{OLEAK}	Tri-State active			1	μA
Output Capacitance	C _{OUT}			5		pF
Output Driving Current	I _{OUT}		6			mA
Weak Pull-Up Current	I _{IH}	V _{IN} = 0V		-30		μA
Weak Pull-Down Current	I _{IL}	V _{IN} = VDD		30		μA

4.6 Serial Peripheral Interface

Table 8: Serial Peripheral Interface

Parameter	Symbol	Conditions	Min	Typ	Max	Unit
SPI Clock Frequency	f _{SPI}		1		20	MHz
SPI Clock Period	t _{SPI_CLK}		50		1000	ns
SPI Start Clock after Select	t _{SPI_S}		25			ns
SPI End of Select after Clock	t _{SPI_E}		25			ns
SPI Idle between Access	t _{SPI_I}		100			ns

4.7 Current Sensing

Table 9: Current Sensing

Parameter	Symbol	Conditions	Min	Typ	Max	Unit
Ext. Short Detection Thresh.	V _{EXT_SD}		180	205	230	mV
Ext. Short Detection Current	I _{EXT_SD}	RSHUNT = 500 mΩ	380	415	450	mA
Int. Short Detection Current	I _{INT_SD}		300	350	400	mA
Driver Overload Detection Time	t _{OVLDDET}	Configurable; see 5.7.3	0.1		6.4	ms

IO-Link Master PHY with integrated Frame Handler

Parameter	Symbol	Conditions	Min	Typ	Max	Unit
Driver Overload Polling Time	t _{OVLLDIS}	Configurable; see 5.7.3	1		6400	ms
Short Circuit Detection Time	t _{SHORTDET}	Configurable; see 5.7.4	0.1		336	ms

4.8 Monitoring Thresholds

Table 10: Monitoring Thresholds

Parameter	Symbol	Conditions	Min	Typ	Max	Unit
Min. Voltage Monitor Thresh.	V _{CCOK_MIN}			7.5		V
Max. Voltage Monitor Thresh.	V _{CCOK_MAX}			34		V
Voltage Monitor Hysteresis	V _{CCOK_HYST}			0.6		V
Temperature Monitor Thresh.	ϑ _{INT}			125	150	°C
Temperature Monitor Hysteresis	ϑ _{INT_HYST}			10		°C

4.9 LEDs

Table 11: LEDs

Parameter	Symbol	Conditions	Min	Typ	Max	Unit
LED Permissible Voltage Range	V _{LED}		-0.3		V _{DD} +0.3	V
LED Current 5 mA	I _{LED_5MA}		4.5		5.5	mA
LED Current 10 mA	I _{LED_10MA}		9		11	mA
LED Sequence Bits	BIT _{SLED}	Configurable; see 5.7.15		8		Bit
Bit high hold time	t _{HLDL}	Configurable; see 5.7.16	50		800	ms
Bit low hold time	t _{HLDH}	Configurable; see 5.7.16	50		800	ms

5 Functional Description

5.1 Clocking

The IC is clocked by connecting an external 14.7456 MHz quartz at the XTAL1 and XTAL2 pins.

It is possible to daisy chain or directly connect multiple CCE4510 chips to the CLK pin for clocking. The CLK pin is then connected to the XTAL1 pin of the other chip(s). Clock feed through is enabled by default and can be disabled by pulling the CLK_EN pin high.

References: [Oscillator](#), [Pin Descriptions](#)

5.2 Operational Modes

There are three possible operational modes for each CCE4510 IO-Link Channels - Standard I/O, UART and Frame Handler Mode. The channel mode can be configured in the MODE register.

IO-Link Master PHY with integrated Frame Handler

5.2.1 Standard I/O (SIO)

If a channel is configured in the Standard I/O Mode, the mode of the output stage is freely configurable.

The SIO register allows the user to choose between a N, P or Push-Pull driving mode via the DRV bits. The TXEN and TXD bits of this register enable direct control over the output driver. The RXD bit in the MISO Status Nibble reflects the current state of the CQ pin.

In this mode, it is also possible to control and observe the channel using the TXEN, TXD and RXD pins. The corresponding pin and register values get logically ORed. Therefore, either the unused pin or register values should be zero, to allow control via the desired interface.

Since the sense of TXD to CQ is inverted, it is possible to connect a standard microcontroller UART interface with a high idle state to the TXD/RXD pins.

References: [SIO1/2](#), [MISO Status Nibble](#), [Pin Descriptions](#)

5.2.2 UART

If a channel is configured in UART Mode, the output stage is set into Push-Pull Mode and the output cannot be controlled via the SIO register or the external pins. It is required to define the used COM speed in the MODE register.

By default, the channel will listen for incoming UART transactions at the CQ pin. If a character is received, an interrupt is triggered and the data can be read back from the UART register. A transaction is started by writing the data to the UART register.

The received UART data is not buffered. Receiving multiple characters, while not reading them back, causes data loss. This will be indicated by the OFLW bit in the MISO Status Nibble.

References: [UART1/2](#), [MODE1/2](#), [MISO Status Nibble](#)

5.2.3 Frame Handler

The Frame Handler Mode extends the UART interface. Like in UART mode, the output stage is set into Push-Pull Mode and the output cannot be controlled via the SIO register or the external pins. It is required to define the used COM speed in the MODE register.

It mostly automates the transaction of frames, defined by the IO-Link protocol. Therefore, an automated CRC check for incoming and an automated CRC computation for outgoing messages is integrated. The frame handler will also monitor the specified timing constraints and takes care to comply with them as well.

5.2.3.1 Configuration

The operational mode as IO-Link Master or Device can be set via the MAS bit in the FHC register. This register also allows the user to relax the timeout detection or to disable the automatic CRC computation.

The master and device message lengths of each frame are influenced by the OD, MPD and DPD registers, but are also depending on the access type, addressed channel and frame type which are defined in the second byte of each IO-Link frame. FT0 frames always use one byte on-request data. FT1 frames use the MPD or DPD lengths, if the address channel is the Process Data Channel, otherwise the OD length is used. FT2 frames always use the MPD, DPD and OD lengths.

IO-Link Master PHY with integrated Frame Handler

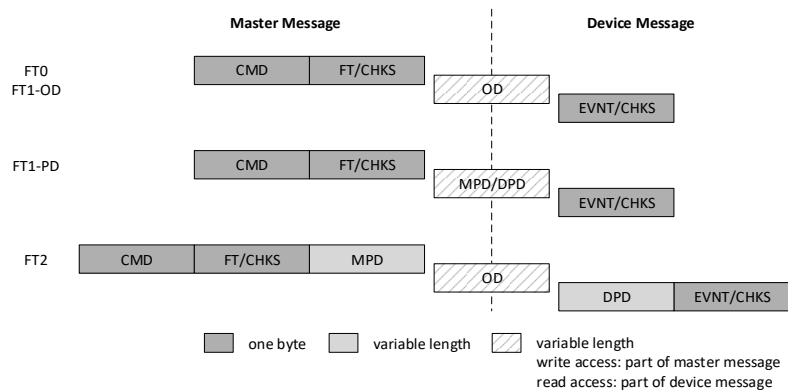


Figure 4: Frame Lengths

References: [FHC1/2](#), [OD1/2](#), [MPD1/2](#), [DPD1/2](#)

5.2.3.2 Master Mode

If configured as master, the frame handler waits for the user to write the complete message data into the frame buffer via the FHD register. This can be done by multiple SPI transactions or by a single bulk SPI transaction. By default, writing the last byte of a message into the buffer will start the transaction and the message CRC is automatically generated. If the automatic CRC feature is disabled, the transaction will start immediately after the first byte is written into the frame buffer. There is also the possibility to start a new frame transaction with respect to the defined cycle time in the CYCT register or even synchronizing various CCE4510 IO-Link channels using the sophisticated synchronization mechanism.

If a frame was transmitted successfully, the frame handler will start listening for any incoming device data and triggers an interrupt after a part or the complete device message is received. The interrupt behavior can be modified using the IMSK and TRSH register. Parity or checksum errors during the transaction will be indicated by the MISO Status Nibble. The received data can be read back via the FHD register by multiple SPI transactions or single/multiple bulk SPI transactions.

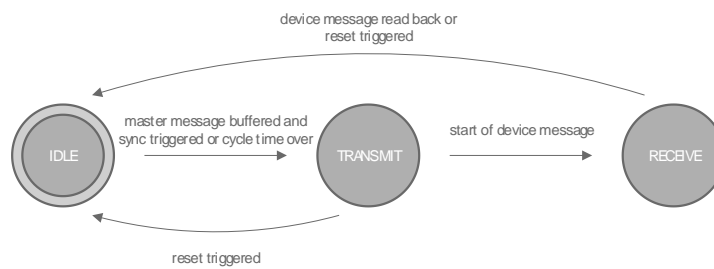


Figure 5: Master Mode Sequence

References: [Additional IO-Link Features](#), [Serial Peripheral Interface](#), [Interrupt Masking](#), [FHD1/2](#)

5.2.3.3 Device Mode

Configured as device, the frame handler listens for incoming master transactions and triggers an interrupt, if a part or the complete device message is received. The interrupt behaviour can be modified using the IMSK and TRSH register. Parity or checksum errors during the transaction will be indicated by the MISO status nibble. The received data can be read back via the FHD register by multiple SPI transactions or single/multiple bulk SPI transactions.

IO-Link Master PHY with integrated Frame Handler

After successfully receiving an incoming master message, the frame handler waits for the user to write the complete message data into the frame buffer via the FHD register. This can be done by multiple SPI transactions or by a single bulk SPI transaction. The transaction always starts immediately after the first byte is written into the frame buffer.

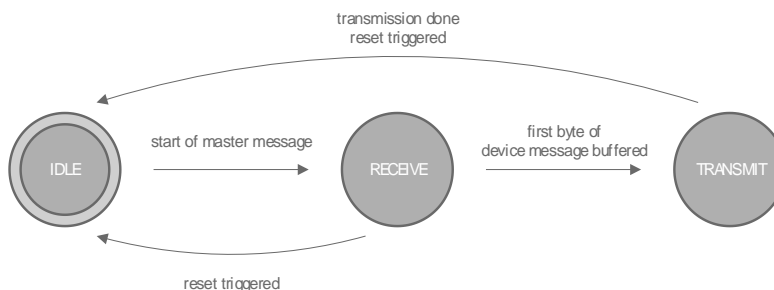


Figure 6: Device Mode Sequence

References: [Additional IO-Link Features](#), [Serial Peripheral Interface](#), [FHD1/2](#)

5.2.3.4 Skip and Reset Function

It is possible to reset the frame handler or skip an invalid frame from any state. This can be done by writing one to the RST or the SKIP bit of the FHC register.

Skipping a frame causes the frame handler to ignore the rest of an incoming message, without triggering any additional interrupt. A soft reset is done after receiving the rest of invalid message or if a timeout was detected. Skipping a frame has no effect on the cycle timer.

Resetting a frame will immediately reset the frame handler into its idle state and also causes a reset of the cycle timer.

References: [FHC1/2](#)

5.3 Interrupt Handling

The chip utilizes two modes of interrupt handling. The active mode can be switched with the IMODE bit in the INT register. Interrupt Mode 1 is active by default.

5.3.1 Mode 1

Interrupts are triggered on rising edges of the WURQ, RXRDY, TXRDY or TOUT bits in the SPI Status. If CQ is configured as input in SIO mode, interrupts are also triggered on any edge of the RXD bit.

Changes of the STATE bits in the SPI Status also trigger interrupts depending on the IMASK register settings. Trigger conditions can be the start of frame transmission or reception or reaching a defined fill level of the buffer. An interrupt is always triggered after a frame is completely received.

Another trigger condition is any change of values in the STAT register. Therefore, the microcontroller should always deal with an interrupt by reading back the STAT register.

The interrupt is cleared while reading the status register.

References: [MISO Status Nibble](#), [STAT](#), [IMASK1/2](#)

5.3.2 Mode 2

The interrupt triggering conditions are the same as described in Interrupt Mode 1. Mode 2 differs in the way how interrupts are handled.

IO-Link Master PHY with integrated Frame Handler

First, the interrupt origin can be determined by reading the INT register. The interrupt then needs to be actively cleared by the user. This is done by writing a one to the appropriate bit ISTAT, ICH1 or ICH2 in the INT register.

The INTX pin will remain in its active state until all interrupts are cleared.

References: [MISO Status Nibble](#), [STAT](#), [INT](#), [IMSK1/2](#)

5.3.3 Interrupt Masking

To reduce the amount of triggered interrupts in frame handler mode, the user can deactivate the triggering of interrupts at certain conditions in the IMSK register. All frame handler interrupts are listed in Table 4.

Table 12: Frame Handler Interrupts

Interrupt	Name	Description
SOT	Start of Transaction Interrupt	Triggers when the chip starts transmitting its message
SOR	Start of Reception Interrupt	Triggers as soon as the chip starts receiving a message
LVL	Message Level Interrupt	Triggers if a defined amount of buffered characters is reached
MSG	End of Message Interrupt	Triggers after the last character of a message was received
CYCT	Cycle Time Interrupt	Triggers when the configured cycle time has passed

The MSG interrupt is always active. By default, all other interrupts are masked. If the LVL interrupt is active, an interrupt will be triggered if the input buffer reaches a defined fill level. The current amount of buffered characters can be queried in the BLVL register. The threshold for buffered characters which triggers the LVL interrupt is configured in the TRSH register.

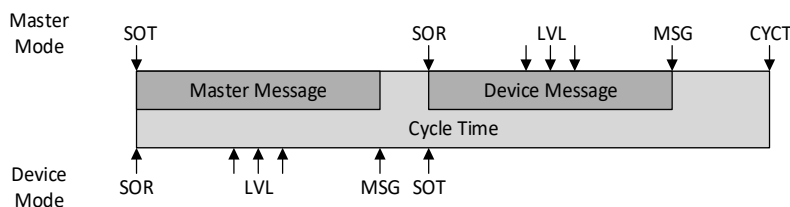


Figure 7: Interrupt Trigger Positions

It is also possible to mask the short detected (SD) interrupt of the STAT register. Otherwise an interrupt gets triggered as soon as a short is detected.

References: [Frame Handler](#), [IMSK1/2](#)

5.4 Protection Features

The CCE4510 IO-Link Master PHY integrates various features to protect the IO-Link master and connected IO-Link devices. Different configuration options allow the user to take individual safety measures and to prevent damage.

IO-Link Master PHY with integrated Frame Handler

5.4.1 Current Sensing

5.4.1.1 Internal/External Mode

There are two possible methods implemented to detect a high load at the IO-Link supply voltage – an internal and an external current sensing mechanism. Both mechanisms cannot be active at the same time. The user must choose, which one should be used for each channel. The current sensing mode is configured by the SDINT bit in the CFG register. The SD bit in the STAT register and the SDX pins always reflect the current sensing state.

The internal current sensing mechanism does not need any external circuitry to work but has the limitation to only detect currents I_{MHS} and I_{MLS} at the CCE4510 CQ pin with a fixed current threshold. High currents I_{DEV} from a connected device cannot be detected. Therefore, the short protection feature for devices is not feasible in this mode. However, the usage of an external NMOS transistor is still possible.

The external current sensing can detect high currents I_{MHS} and I_{MLS} at the CQ pin and I_{DEV} of a connected device. External shunts with a typical resistance of $0.5\ \Omega$ need to be applied for a current threshold of 400 mA. It is possible to adjust the high current detection threshold by changing the shunts resistance value. The voltage drop over the shunt is defined with 200 mV. Current sensing over a shunt and an external NMOS transistor allow the usage of the short protection feature.

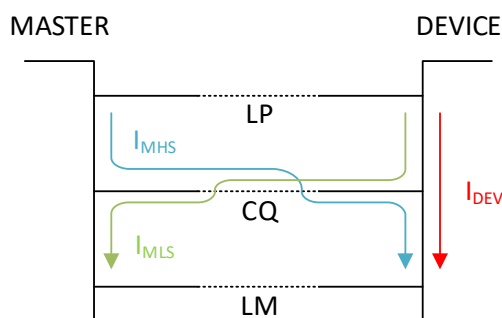


Figure 8: High Current Detection

References: [Current Sensing](#), [Application Notes](#), [CFG1/2](#)

5.4.1.2 Overload/Short Protection

The Overload Protection protects master and device from high loads at the channel output CQ. The output driver of a channel is automatically disabled if high currents are detected for a time $> t_{OVLDDDET}$. The channel stays disabled and gets re-enabled after a time $t_{OVLDDIS}$. If the high load at CQ still persists, the channel will be disabled again. This high current polling reduces the power dissipation of the chip and reduces the risk of overheating. The feature can be used in conjunction with the internal and external current sensing. Timing is configured in the OVLDD register. It is also possible to disable this feature.

The short protection feature detects shorted or defective devices and disables their power supply, if NMOS transistors are used for power supply switching. If a high current is detected for a time $> t_{SHRTDET}$, the gate driver gets disabled and the device is powered down. The gate driver stays disabled but can be switched on again manually by the user. The feature can only be used in conjunction with the external current sensing. Timing is configured in the SHRT register.

IO-Link Master PHY with integrated Frame Handler

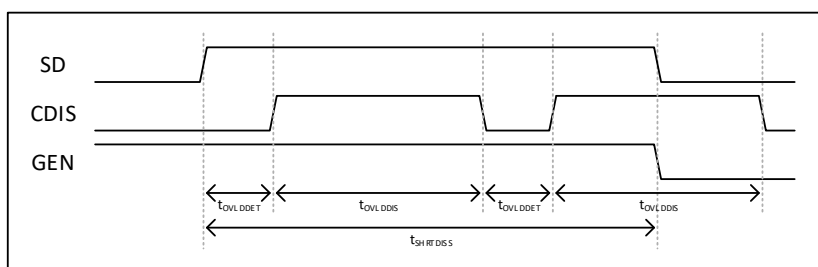


Figure 9: Overload/Short Protection Timing

The current state of the channel (CDIS) and the gate driver (GEN) is always reflected in the STAT register.

The IO-Link specification allows high currents while powering on a device. To avoid automatic disabling of the gate driver during power-on, $t_{SHRTDET}$ should be configured > 50 ms. Time can be reduced again after the power-on phase.

References: [OVL1/2](#), [SHRT1/2](#), [STAT](#)

5.4.2 Voltage/Temperature Monitoring

The chip is equipped with a voltage monitor that observes the VCC supply voltage of the chip and a temperature monitor which observes the die temperature. By default, the chip is configured to automatically disable all channels if the die temperature is too high or the VCC supply voltage is out of range.

The monitor states can be read back from the PROT register. The automatic protection feature is also controlled via the PROT register.

References: [Monitoring Thresholds](#), [PROT](#)

5.5 Additional IO-Link Features

5.5.1 Automated Wake-Up

The automated wake-up procedure is started, if the chip is configured in SIO mode and a one is written to the WURQ bit in the SIO register and. If the procedure is active, the WURQ bit is set to one and can be aborted by writing a one the WURQ bit.

During the procedure, the chip is set into frame Handler mode and runs the wake-up procedure which complies to the IO-Link standard (IO-Link Spec v1.1, 7.3.2.2). After the procedure is finished, an interrupt is triggered and the chip stays in IO-Link mode. If a timeout is indicated, the procedure failed. Otherwise the chip is configured and the detected COM mode can be read back using the Mode register.

References: [MODE1/2](#), [SIO1/2](#)

5.5.2 Cycle Timer

A cycle timer is available for channels configured as frame handler in master mode. It enables the user to comply with the configured IO-Link cycle times without further effort. The cycle time is set up in the CYCT register. The format of this register resembles the defined structure in the IO-Link.

It is possible to configure cycle times that are shorter than $400 \mu\text{s}$. Although this is not recommended, since the standard states $400 \mu\text{s}$ as minimum cycle time (IO-Link Spec v1.1, A.3.7). If the register is zero, the cycle timer gets disabled.

IO-Link Master PHY with integrated Frame Handler

When the cycle timer is active, a new master message transaction will not start until the configured cycle time has passed. If the cycle time is over and no new data is available to start the message transaction, the EOC bit in the MISO Status Nibble will indicate the end of a cycle.

It is possible to reset the frame handler without resetting the cycle timer by triggering a soft reset, using the SKIP bit in the FHC register. The cycle timer will be reset together with the frame handler when a hard reset is triggered using the RST bit in the FHC register.

References: [CYCT1/2](#), [MISO Status Nibble](#), [FHC1/2](#)

5.5.3 Channel Synchronization

The CCE4510 provides a synchronization feature that can be enabled by the SYNC bit in the FHC register. If enabled, TXD (SYNC) and RXD (CYCT) pins are used for synchronization purposes and do not have their default behavior in frame handler mode.

The CYCT pins indicate if the cycle time has passed with a high level. It is also possible to enable the cycle time interrupt for a channel over the CYCT bit in the IMSK register. If this interrupt is enabled the TOUT bit in the MISO Status Nibble is also used to indicate the end of a cycle.

The channels will wait for start of transmission until a configured cycle time has passed, the output buffer is filled and the SYNC pin is toggled or a synchronization request is triggered over the SYNC register. These requests can be broadcasted to different chips, specifically triggering different channels on each chip by using the SMSK register. This gives a fine granularity for synchronizing channels, even over multiple chips.

Table 13: Sample Configuration

Chip	MODE1/2	FHC1/2	CYCT1/2	SMSK
IC1	0h0A / 0h0A	0h0E / 0h0E	0h14 / 0h00	0h09
IC2	0h0A / 0h0A	0h0E / 0h0E	0h14 / 0h00	0h09
IC3	0h0A / 0h0A	0h0E / 0h06	0h00 / 0h00	0h04

As an example, we have three CCE4510 chips with the configurations from Table 13. If we broadcast a synchronization request via SPI by writing a one to the ST1 bit in the SYNC register, channel 1 from IC1 and IC2 will start their transaction as soon as the configured cycle time has passed. If we write a one to the ST2 bit of the sync register, channel 2 of IC1 and IC2 and channel 1 of IC3 will start their transaction immediately.

References: [SMSK](#), [SYNC](#), [Pin Descriptions](#)

5.5.4 LED Drivers

The chip integrates a LED driver for each of the two channels. The LEDs are controlled by the LSEQ and LHLD registers. There are various ways of influencing the timing of a blinking sequence. It is also possible to synchronize the LED blinking sequences over each channel or various chips. This is done by writing one to the SYNC registers PRE and LED bits. The user can choose between two driver strengths of 5 mA or 10 mA using the ILED bit in the CFG register.

As an example, writing LSEQ 0hCC and LHLD 0h80 will resemble the specified blinking sequence for channels that operate in IO-Link mode, starting with the “LED off” state (IO-Link Spec v1.1, 10.9.3).

IO-Link Master PHY with integrated Frame Handler

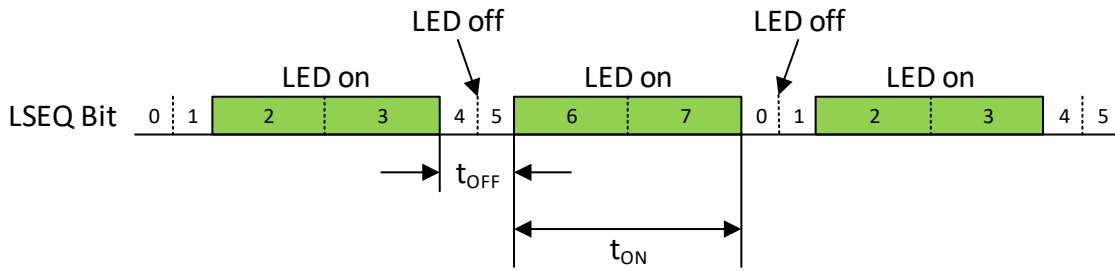


Figure 10: IO-Link LED Timing

$$t_{HLDL} = 50 \text{ ms} + 50 \text{ ms} * HLDL = 50 \text{ ms}$$

$$t_{OFF} = 2 * t_{HLDL} = 100 \text{ ms}$$

$$t_{HLDH} = 50 \text{ ms} + 50 \text{ ms} * HLDH = 450 \text{ ms}$$

$$t_{ON} = 2 * t_{HLDH} = 900 \text{ ms}$$

References: [FHC1/2](#), [LSEQ1/2](#), [LHLD1/2](#), [SYNC](#)

5.6 Serial Peripheral Interface

5.6.1 Transaction Format

The CCE4510 is configured as SPI slave and uses the CPOL=0, CPHA=0 configuration. During each transaction, a minimum number of two bytes must be transferred. For bulk access to the frame handler buffers via the FHD1/2 registers, n bytes can be transferred. The first byte after a falling SSX edge reflects always the current state of the two channels. The format depends on the configured modes.

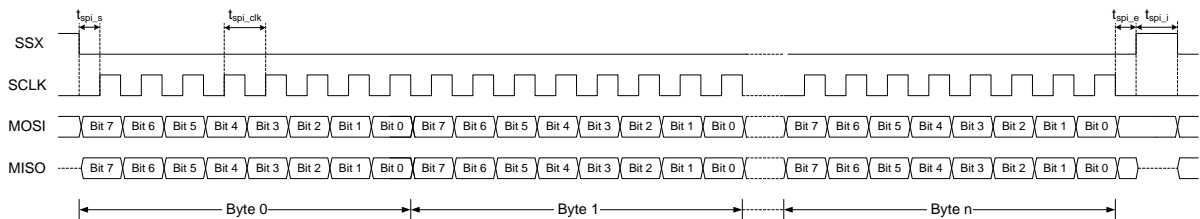


Figure 11: SPI Timing Diagram

5.6.2 MOSI Format

Table 14: MOSI Format

Bit	7	6	5	4	3	2	1	0
1 st Byte	ADR							R/W
2 nd Byte	DATA							
	...							
n th Byte	DATA							

ADR Address for register access

- 0x20-0x3F Channel 1 registers
- 0x40-0x5F Channel 2 registers
- 0x60-0x7F Control registers

RW Register access type

- 0b0 write to address
- 0b1 read from address

IO-Link Master PHY with integrated Frame Handler

DATA **Value for write access**
 0x00-0xFF 3rd -nth byte is optional; ignored on read access

5.6.3 MISO Format

Table 15: MISO Format

Bit	7	6	5	4	3	2	1	0
1 st Byte	STAT2				STAT1			
2 nd Byte	DATA							
	...							
n th Byte	DATA							

STAT1/2 **Status code for channel 1/2**
 0x0-0xF Format is dependent on configured mode

DATA **Current value on read access to register**
 0x00-0xFF 3rd -nth byte is optional; not valid on write access

5.6.4 MISO Status Nibble

Table 16: MISO Status Nibble

Name	STAT Bit 3	STAT Bit 2	STAT Bit 1	STAT Bit 0
Standard I/O	WURQ	RXD	TXEN	TXD
UART	OFLW	RXERR	RXRDY	TXRDY
Frame Handler	TOUT/EOC	STATE		

TXD **Current channel output value**

0b0 Channel is driven high
 0b1 Channel is driven low

TXEN **Current output enable state**

0b0 Channel driver is disable
 0b1 Channel driver is enabled

RXD **Current channel input value**

0b0 Channel input is driven high
 0b1 Channel input is driven low

WURQ **Wake-up pulse indicator**

0b0 No wake-up pulse is detected
 0b1 Wake-up pulse is detected

TXRDY **UART transmit state indicator**

0b0 TX is busy
 0b1 TX us ready for transmission

RXRDY **UART receive state indicator**

0b0 RX is busy
 0b1 RX is ready for receiving

RXERR **UART RX parity error**

0b0 no parity error detected
 0b1 parity error detected

IO-Link Master PHY with integrated Frame Handler

OFLW

0b0
0b1

UART RX overflow indicator

no data overflow detected
data overflow is detected, byte is lost

STATE

0b000
0b001
0b010
0b011
0b100
0b101
0b110
0b111

Reflects the current frame handler state

Idle
transmission output required
transmission active; no further output required
transmission active; further output required
receiving active
receiving active; new input available
receiving active; message erroneous
receiving active; message erroneous; new input available

TOUT/EOC

0b0
0b1

Frame timeout / End of cycle time

no timeout detected / cycle time not passed
timeout detected / cycle time passed

5.7 Register Description

5.7.1 Register Overview

Table 17: Register Overview

Address	Name	Description	Access
0x00-0x1F	-	reserved	-
0x20	MODE1	Channel 1 – Mode	R/W
0x21	OVL1	Channel 1 – Overload Protection	R/W
0x22	SHRT1	Channel 1 – Short Protection	R/W
0x23	SIO1	Channel 1 – SIO Control	R/W
0x24	UART1	Channel 1 – UART Data	R/W
0x25	FHC1	Channel 1 – FH Control	R/W
0x26	OD1	Channel 1 – On-Request Length	R/W
0x27	MPD1	Channel 1 – Master PD Length	R/W
0x28	DPD1	Channel 1 – Device PD Length	R/W
0x29	CYCT1	Channel 1 – Cycle Time	R/W
0x2A	FHD1	Channel 1 – FH Data	R/W
0x2B	BLVL1	Channel 1 – FH Buffer Level	R
0x2C	IMSK1	Channel 1 – Interrupt Masking	R/W
0x2D	LSEQ1	Channel 1 – LED Sequence	R/W
0x2E	LHLD1	Channel 1 – LED Hold Times	R/W
0x2F	CFG1	Channel 1 – Configuration	R/W
0x30	TRSH1	Channel 1 – Threshold Level	R/W
0x31-0x3F	-	reserved	-
0x40	MODE2	Channel 2 – Mode	R/W
0x41	OVL2	Channel 2 – Overload Protection	R/W
0x42	SHRT2	Channel 2 – Short Protection	R/W

IO-Link Master PHY with integrated Frame Handler

Address	Name	Description	Access
0x43	SIO2	Channel 2 – SIO Control	R/W
0x44	UART2	Channel 2 – UART Data	R/W
0x45	FHC2	Channel 2 – FH Control	R/W
0x46	OD2	Channel 2 – On-Request Length	R/W
0x47	MPDL2	Channel 2 – Master PD Length	R/W
0x48	DPDL2	Channel 2 – Device PD Length	R/W
0x49	CYCT2	Channel 2 – Cycle Time	R/W
0x4A	FHD2	Channel 2 – FH Data	R/W
0x4B	BLVL2	Channel 2 – FH Buffer Level	R
0x4C	IMSK2	Channel 2 – Interrupt Masking	R/W
0x4D	LSEQ2	Channel 2 – LED Sequence	R/W
0x4E	LHLD2	Channel 2 – LED Hold Times	R/W
0x4F	CFG2	Channel 2 – Configuration	R/W
0x50	TRSH2	Channel 2 – Threshold Level	R/W
0x51-0x5F	-	reserved	-
0x60	STAT	IC Status	R
0x61	SMSK	Channel Synchronization Masks	R/W
0x62	SYNC	Synchronization Triggers	W
0x63	PROT	Channel Protection	R/W
0x64	INT	Interrupt Register	R/W
0x65-0x6F	-	reserved	-
0x70	REV	Revision Code	R
0x71-0x7F	-	reserved	-

IO-Link Master PHY with integrated Frame Handler
5.7.2 MODE1/2 (0x20/0x40)
Table 18: MODE1/2 register

Bit	7	6	5	4	3	2	1	0
Name	Reserved				COM		MODE	
Access	-				R/W		R/W	

Default: 0b00000000
MODE Selects the channel operation mode

- 0b00 Standard I/O
- 0b01 UART
- 0b10 Frame Handler
- 0b11 reserved

COM Selects the UART communication speed

- 0b00 Disabled
- 0b01 COM1 – 4.8 kBd
- 0b10 COM2 – 38.4 kBd
- 0b11 COM3 – 230.4 kBd

5.7.3 OVLD1/2 (0x21/0x41)
Table 19: OVLD1/2 register

Bit	7	6	5	4	3	2	1	0
Name	ADIS		MULT					
Access	R/W		R/W					

Default: 0b10000000
ADIS Channel overload protection mode

- 0b00 Disabled
- 0b01 Enabled; FACTOR=10
- 0b10 Enabled; FACTOR=100
- 0b11 Enabled; FACTOR=1000

MULT Multiplier for overload detection/disable time

- 0-63 Multiplier value

NOTE disabling this feature may cause damage to master and/or device

$$t_{OVLDDDET} = 100 \mu s + 100 \mu s * MULT$$

$$t_{OVLDDIS} = t_{OVLDDDET} * FACTOR$$

IO-Link Master PHY with integrated Frame Handler

5.7.4 SHRT1/2 (0x22/0x42)

Table 20: SHRT1/2 register

Bit	7	6	5	4	3	2	1	0
Name	BASE		MULT					
Access	R/W		R/W					

Default: 0b00000101

BASE Base/offset for channel short detection time

- 0b00 BASE is 100 μ s; OFFSET is 100 μ s; disabled if MULT is 0
- 0b01 BASE is 400 μ s; OFFSET is 6.8 ms
- 0b10 BASE is 1.6 ms; OFFSET is 33.6 ms
- 0b11 BASE is 3.2 ms; OFFSET is 134.4 ms

MULT Multiplier for short detection time

- 0-63 Multiplier value

NOTE disabling this feature may cause damage to master and/or device

$$t_{SHRTDET} = \text{OFFSET} + \text{BASE} * \text{MULT}$$

5.7.5 SIO1/2 (0x23/0x43)

Table 21: SIO1/2 register

Bit	7	6	5	4	3	2	1	0
Name	WURQ	Reserved			DRV		TXEN	TXD
Access	R/W	-			R/W		R/W	R/W

Default: 0b00001100

TXD Driver output value

- 0b0 Drive CQ high
- 0b1 Drive CQ low

TXEN Driver output state

- 0b0 Disable output driver
- 0b1 Enable output driver

DRV Driver output mode

- 0b00 Multiplier value
- 0b01 N-Mode
- 0b10 P-Mode
- 0b11 Push-Pull

WURQ Start/abort automated wake-up procedure

- 0b0 Automated wake-up is not running; writing 0b1 starts procedure
- 0b1 Automated wake-up is running; writing 0b1 aborts procedure

IO-Link Master PHY with integrated Frame Handler
5.7.6 UART1/2 (0x24/0x44)
Table 22: UART1/2 register

Bit	7	6	5	4	3	2	1	0
Name	DATA							
Access	R/W							

Default: 0b00000000
DATA **Received/transmitted value over UART**

0-255 read returns received value, write transmits value

5.7.7 FHC1/2 (0x25/0x45)
Table 23: FHC1/2 register

Bit	7	6	5	4	3	2	1	0
Name	RST	SKIP	Reserved		SYNC	MAS	CRC	TOUT
Access	W	W	-		R/W	R/W	R/W	R/W

Default: 0b00000110
TOUT **Timeout behavior**

 0b0 strict timeout detection
 0b1 relaxed timeout detection (+ 3 tBIT)

CRC **Automatic checksum calculation**

 0b0 disabled, sending a master message will start immediately
 0b1 enabled

MAS **Frame handler mode**

 0b0 slave mode
 0b1 master mode

SYNC **Channel synchronization**

 0b0 disabled
 0b1 enabled; master mode only

SKIP **Skip a frame**

0b1 resets frame handler without resetting cycle time counter

RST **Reset frame handler**

0b1 resets frame handler and cycle time counter

5.7.8 OD1/2 (0x26/0x46)
Table 24: OD1/2 register

Bit	7	6	5	4	3	2	1	0
Name	LEN							
Access	R/W							

Default: 0b00000001
LEN **On-Request Data length**

1-32 data length in bytes; valid values according to IO-Link spec: 1, 2, 8, 32

IO-Link Master PHY with integrated Frame Handler
5.7.9 MPD1/2 (0x27/0x47)
Table 25: MPD1/2 register

Bit	7	6	5	4	3	2	1	0
Name	LEN							
Access	R/W							

Default: 0b00000000
LEN **Master Process Data length**

0-32 data length in bytes

5.7.10 DPD1/2 (0x28/0x48)
Table 26: DPD1/2 register

Bit	7	6	5	4	3	2	1	0
Name	LEN							
Access	R/W							

Default: 0b00000000
LEN **Device Process Data length**

0-32 data length in bytes

5.7.11 CYCT1/2 (0x29/0x49)
Table 27: CYCT1/2 register

Bit	7	6	5	4	3	2	1	0
Name	BASE		MULT					
Access	R/W		R/W					

Default: 0b00000000
BASE **Base/offset for cycle time**

 0b00 BASE is 100 μ s; no OFFSET; disabled if MULT is 0
 0b01 BASE is 400 μ s; OFFSET is 6.4 ms
 0b10 BASE is 1.6 ms; OFFSET is 32 ms
 0b11 reserved

MULT **Multiplier for cycle time**

0-63 Multiplier value

$$t_{cyc} = \text{OFFSET} + \text{BASE} * \text{MULT}$$

IO-Link Master PHY with integrated Frame Handler
5.7.12 FHD1/2 (0x2A/0x4A)
Table 28: FHD1/2 register

Bit	7	6	5	4	3	2	1	0
Name	DATA							
Access	R/W							

Default: 0b00000000
DATA **Received/transmitted value over frame handler**

0-255 read returns buffed input data, write buffers output data

5.7.13 BLVL1/2 (0x2B/0x4B)
Table 29: BLVL1/2 register

Bit	7	6	5	4	3	2	1	0
Name	FCNT							
Access	R/W							

Default: 0b00000000
FCNT **Fill count of frame handler input buffer**

0-64 current input buffer fill count

5.7.14 IMSK1/2 (0x2C/0x4C)
Table 30: IMSK1/2 register

Bit	7	6	5	4	3	2	1	0
Name	Reserved			SD	SOR	SOT	CYCT	LVL
Access	-			R/W	R/W	R/W	R/W	R/W

Default: 0b00011111
LVL **Level interrupt**

 0b0 enabled; interrupt trigger level is defined in corresponding TRSH registers
 0b1 disabled; no interrupt is triggered

CYCT **Cycle time interrupt**

 0b0 enabled; interrupt is triggered after end of cycle, only in master mode
 0b1 disabled; no interrupt is triggered

SOT **Start of transmission interrupt**

 0b0 enabled; interrupt is triggered on start of transmission
 0b1 disabled; no interrupt is triggered

SOR **Start of reception interrupt**

 0b0 enabled; interrupt is triggered on start of reception
 0b1 disabled; no interrupt is triggered

SD **Short detection interrupt**

 0b0 enabled; interrupt is directly triggered when a short gets detected
 0b1 disabled; no interrupt is triggered

IO-Link Master PHY with integrated Frame Handler
5.7.15 LSEQ1/2 (0x2D/0x4D)
Table 31: LSEQ1/2 register

Bit	7	6	5	4	3	2	1	0
Name	SEQ							
Access	R/W							

Default: 0b00000000
SEQ
LED blinking sequence

0x00	always off
0x01-0xFE	blinking; 0b0 represents off-state; 0b1 represents on-state; LSB processed first
0xFF	always on

5.7.16 LHLD1/2 (0x2E/0x4E)
Table 32: LHLD1/2 register

Bit	7	6	5	4	3	2	1	0
Name	HLDH				HLDL			
Access	R/W				R/W			

Default: 0b00000000
HLDL
LED hold time configuration for off-state

0-15 Base time multiplier

HLDH
LED hold time configuration for on-state

0-15 Base time multiplier

$$t_{HLDL} = 50 \text{ ms} + 50 \text{ ms} * \text{HLDL}$$

$$t_{HLDH} = 50 \text{ ms} + 50 \text{ ms} * \text{HLDH}$$

5.7.17 CFG1/2 (0x2F/0x4F)
Table 33: CFG1/2 register

Bit	7	6	5	4	3	2	1	0
Name	GEN	Reserved			ILED	SDINT	RAT	ICQ
Access	R/W	-			R/W	R/W	R/W	R/W

Default: 0b00000000
ICQ
Current sink configuration for C/Q

0b0	current sink disabled
0b1	10 mA current sink enabled

RAT
Input threshold configuration for C/Q

0b0	static input threshold according to IO-Link specification
0b1	radiometric input threshold for lower LP voltages

SDINT
Short detection mode

0b0	external short detection; shunt required
0b1	internal short detection; no shunt required

IO-Link Master PHY with integrated Frame Handler

ILED LED driving current

0b0 5 mA driving current
0b1 10 mA driving current

GEN Gate driver enable

0b0 disabled
0b1 enabled

5.7.18 TRSH1/2 (0x30/0x50)

Table 34: TRSH1/2 register

Bit	7	6	5	4	3	2	1	0
Name	TLVL							
Access	R/W							

Default: 0b00000000

TLVL Input buffer threshold level

0-63 trigger interrupt after TLVL received characters; activate in IMSK register

5.7.19 STAT (0x60)

Table 35: STAT register

Bit	7	6	5	4	3	2	1	0
Name	TEMP	VCCOK	GDIS2	CDIS2	SD2	GDIS1	CDIS1	SD1
Access	R	R	R	R	R	R	R	R

Default: 0b01100100

SD1/2 Short detected indicator

0b0 no short detected
0b1 short detected

CDIS1/2 Channel disabled indicator

0b0 channel driver enabled
0b1 channel driver disabled

GDIS1/2 Gate disabled indicator

0b0 gate driver enabled
0b1 gate driver disabled

VCCOK VCC Voltage monitor

0b0 voltage too high/low
0b1 voltage inside valid range; ($VCC_{OK_MIN} < VCC$) or ($VCC > VCC_{OK_MAX}$)

TEMP Temperature monitor

0b0 temperature okay; $\vartheta_{JUNC} \leq \vartheta_{INT}$
0b1 high temperature detected; $\vartheta_{JUNC} > \vartheta_{INT}$

IO-Link Master PHY with integrated Frame Handler
5.7.20 SMSK (0x61)
Table 36: SMSK register

Bit	7	6	5	4	3	2	1	0
Name	SC4		SC3		SC2		SC1	
Access	R/W		R/W		R/W		R/W	

Default: 0b00000000
SC1-4 Synchronization masks 1-4

- 0b00 disable synchronization signals
- 0b01 enable synchronization signal for channel 1
- 0b10 enable synchronization signal for channel 2
- 0b11 enable synchronization signals for channels 1 and 2

5.7.21 SYNC (0x62)
Table 37: SYNC register

Bit	7	6	5	4	3	2	1	0
Name	Reserved		PRE	LED	ST4	ST3	ST2	ST1
Access	-		W	W	W	W	W	W

Default: 0b00000000
ST1-4 Synchronous start of transmission trigger

- 0b1 write 0b1 to trigger start of transmission; depends on corresponding SC1-4 mask

LED LED output synchronization

- 0b1 write 0b1 to trigger synchronization

PRE LED prescaler synchronization

- 0b1 write 0b1 to trigger synchronization

5.7.22 PROT (0x63)
Table 38: PROT register

Bit	7	6	5	4	3	2	1	0
Name	Reserved	TEMP	VCCH	VCCL	Reserved	PTEMP	PVCCH	PVCCL
Access	-	R	R	R	-	R/W	R/W	R/W

Default: 0b00000111
PVCCL VCC low voltage protection

- 0b0 protection disabled
- 0b1 protection enabled; disable outputs driver if $VCC < VCC_{OK_MIN}$

PVCCH VCC high voltage protection

- 0b0 protection disabled
- 0b1 protection enabled; disable outputs driver if $VCC > VCC_{OK_MAX}$

PTEMP High temperature protection

- 0b0 protection disabled
- 0b1 protection enabled; disable output driver if $\vartheta_{JUNC} > \vartheta_{INT}$

IO-Link Master PHY with integrated Frame Handler

VCCL	VCC low voltage monitor
0b0	voltage not too low
0b1	voltage too low; $VCC < VCC_{OK_MIN}$
VCCH	VCC high voltage monitor
0b0	voltage not too high
0b1	voltage too high; $VCC > VCC_{OK_MAX}$
TEMP	Temperature monitor
0b0	temperature okay; $\vartheta_{JUNC} \leq \vartheta_{INT}$
0b1	high temperature detected; $\vartheta_{JUNC} > \vartheta_{INT}$

5.7.23 INT (0x64)
Table 39: INT register

Bit	7	6	5	4	3	2	1	0
Name	IMODE	Reserved				ISTAT	ICH2	ICH1
Access	R/W	-				R/W	R/W	R/W

Default: 0b00000000

ICH1/2	Channel 1/2 interrupt
0b0	no channel 1/2 interrupt
0b1	channel 1/2 interrupt occurred; write 0b1 to clear
ISTAT	Status interrupt
0b0	no status interrupt
0b1	status interrupt occurred; write 0b1 to clear
IMODE	Interrupt mode
0b0	interrupt mode 1
0b1	alternative interrupt mode 2

5.7.24 REV (0x70)
Table 40: REV register

Bit	7	6	5	4	3	2	1	0
Name	MAJ				MIN			
Access	R				R			

Default: 0b00100001

MAJ	Major revision code
1	latest major revision code
MIN	Minor revision code
3	latest minor revision code

6 Application notes

6.1 Gate Drivers / External Sense

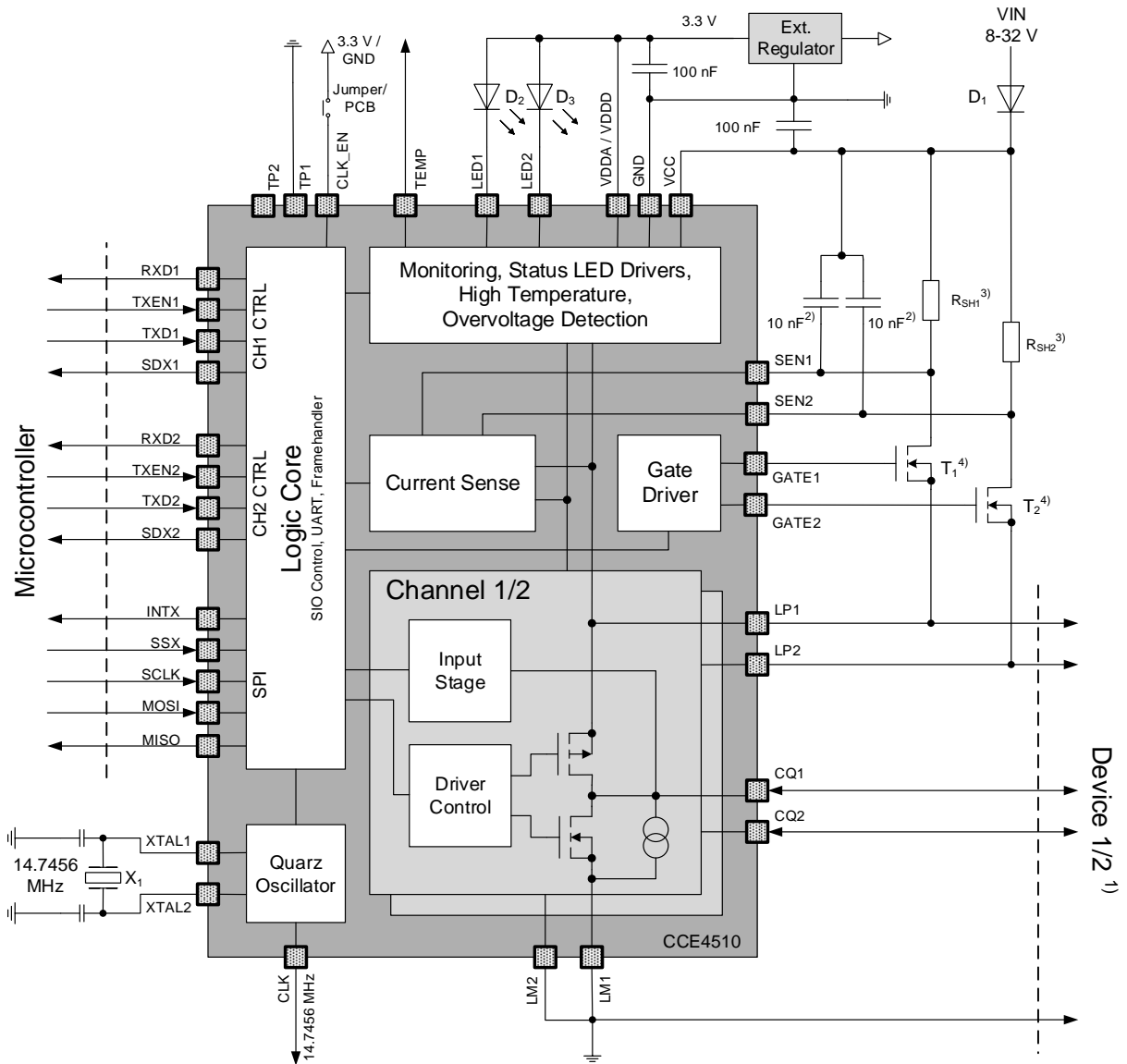


Figure 12: Gate Drivers / External Sense

- 1) Surge protection circuitry for channels needs to be applied externally
- 2) Optional
- 3) Typically 0.5 Ω
- 4) e.g. PMGD780SN, PHT6N06T

6.2 No Gate Drivers / Internal Sense

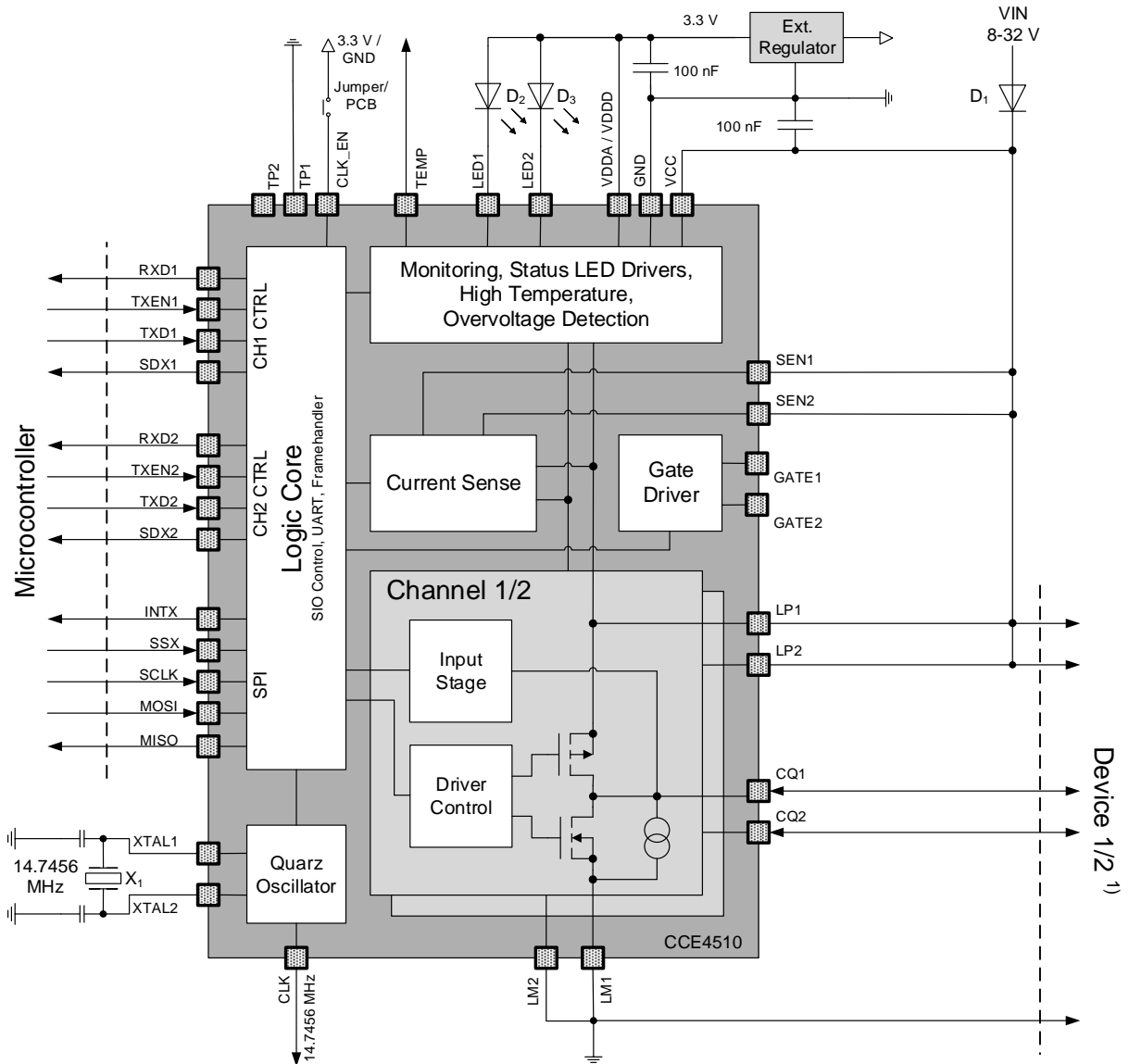


Figure 13: No Gate Drivers / Internal Sense

1) Surge protection circuitry for channels needs to be applied externally

7 Package Outline

7.1 QFN48 Package

Quad Flat No Lead Package; 48 Terminals; 7x7x0.85mm

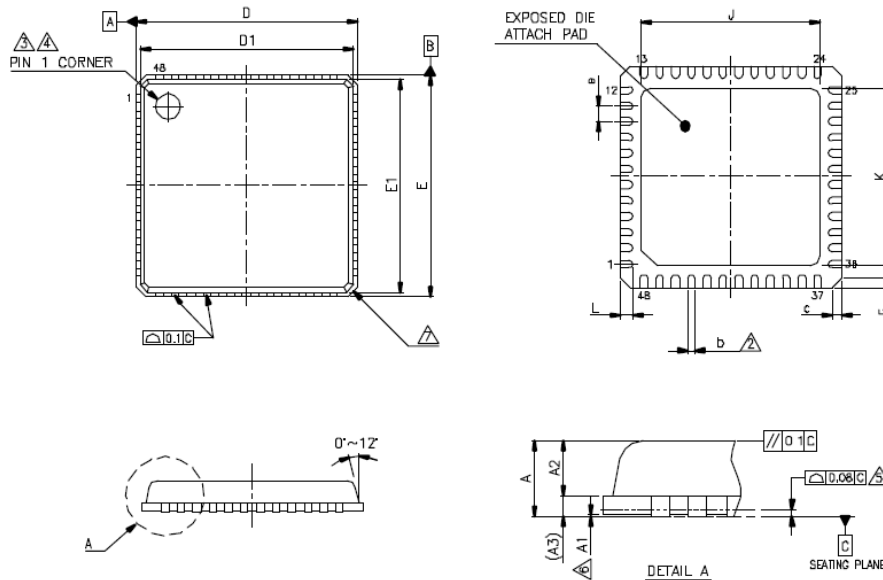


Figure 14: QFN48 Package

Symbol	A	A1	A2	A3	b	C	D	D1	E	E1	e	J	K	L
Min	0.80	0.00	0.65	0.203 REF.	0.18	0.24	7.00 BSC.	6.75 BSC.	7.00 BSC.	6.75 BSC.	0.50 BSC.	3.50	3.50	0.30
Typ	0.90	0.02	-		0.25	0.42						3.70	3.70	0.40
Max	1.00	0.05	1.00		0.30	0.60						3.90	3.90	0.50

UNIT : mm

NOTES :

1. JEDEC : MO-220-J.
 2. DIE THICKNESS ALLOWABLE IS 0.305mm MAXIMUM (0.012 INCHES MAXIMUM).
- ⚠ DIMENSION APPLIES TO PLATED TERMINAL AND IS MEASURED BETWEEN 0.2 AND 0.25mm FROM TERMINAL TIP.
 - ⚠ THE PIN #1 IDENTIFIER MUST BE PLACED ON THE TOP SURFACE OF THE PACKAGE BY USING INDENTATION MARK OR OTHER FEATURE OF PACKAGE BODY.
 - ⚠ EXACT SHAPE AND SIZE OF THIS FEATURE IS OPTIONAL.
 - ⚠ APPLIED FOR EXPOSED PAD AND TERMINALS. EXCLUDE EMBEDDING PART OF EXPOSED PAD FROM MEASURING.
 - ⚠ APPLIED ONLY TO TERMINALS.
 - ⚠ EXACT SHAPE OF EACH CORNER IS OPTIONAL.

IO-Link Master PHY with integrated Frame Handler

7.2 QFN24 Package

Thermally Enhanced Quad Flat No Lead Package; 24 Terminals; 4x4x0.75mm

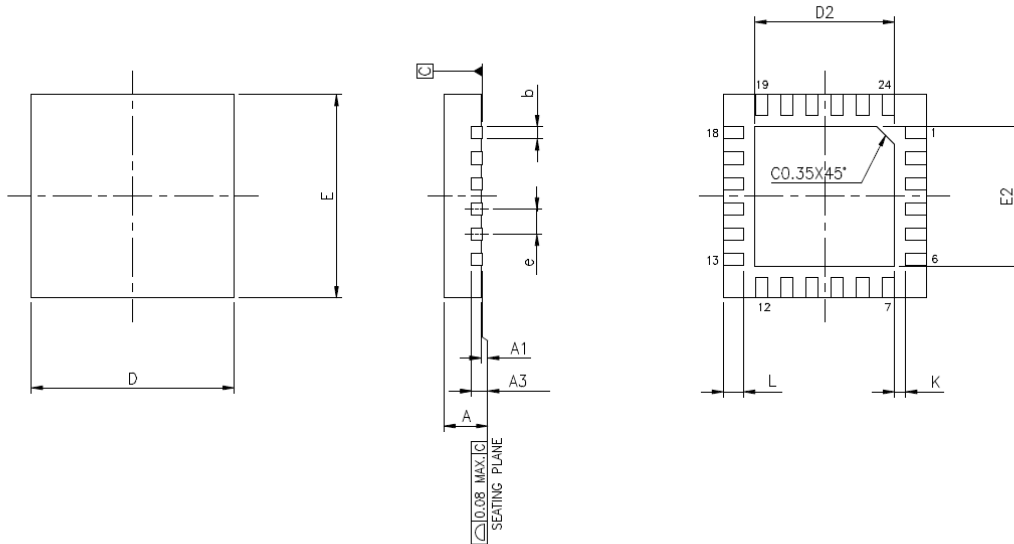


Figure 15: QFN24 Package

Symbol	A	A1	A3	b	D	E	e	L	K	D2	E2
Min	0.70	0.00	0.20 REF.	0.18	4.00 BSC.	4.00 BSC.	0.50 BSC.	0.35	0.20	2.50	2.50
Typ	0.75	0.02		0.25				0.40	-	2.60	2.60
Max	0.80	0.05		0.30				0.45	-	2.65	2.65

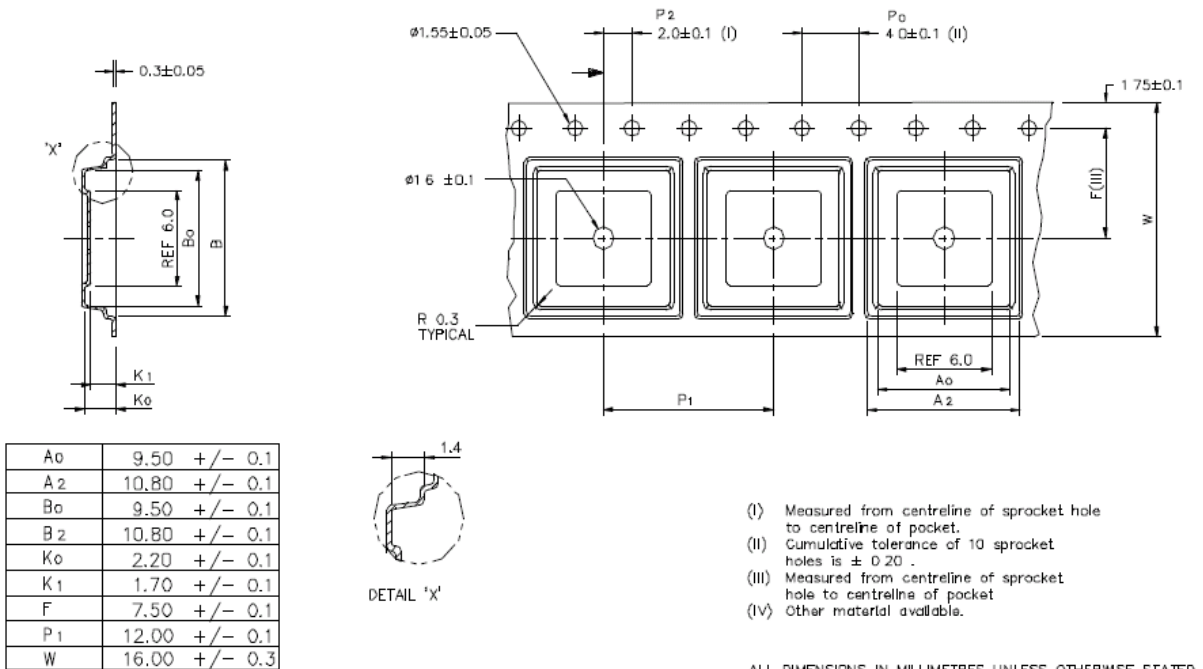
UNIT : mm

NOTES :

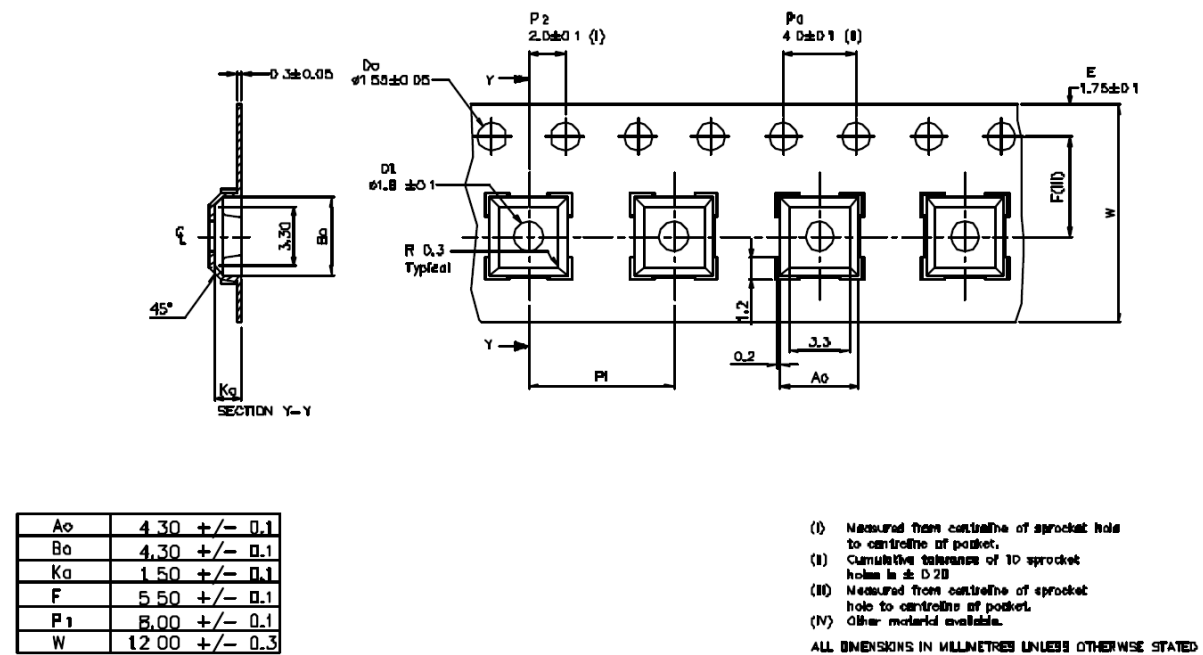
1. JEDEC OUTLINE : MO-220 WGGD-6.
2. DIMENSION b APPLIES TO METALLIZED TERMINAL AND IS MEASURED BETWEEN 0.15mm AND 0.30mm FROM THE TERMINAL TIP. IF THE TERMINAL HAS THE OPTIONAL RADIUS ON THE OTHER END OF THE TERMINAL, THE DIMENSION b SHOULD NOT BE MEASURED IN THAT RADIUS AREA.
3. THE MINIMUM "K" VALUE OF 0.20mm APPLIES.
4. BILATERAL COPLANARITY ZONE APPLIES TO THE EXPOSED HEAT SINK SLUG AS WELL AS THE TERMINALS.

8 Tape and Reel Information

8.1 Tape QFN48 Package

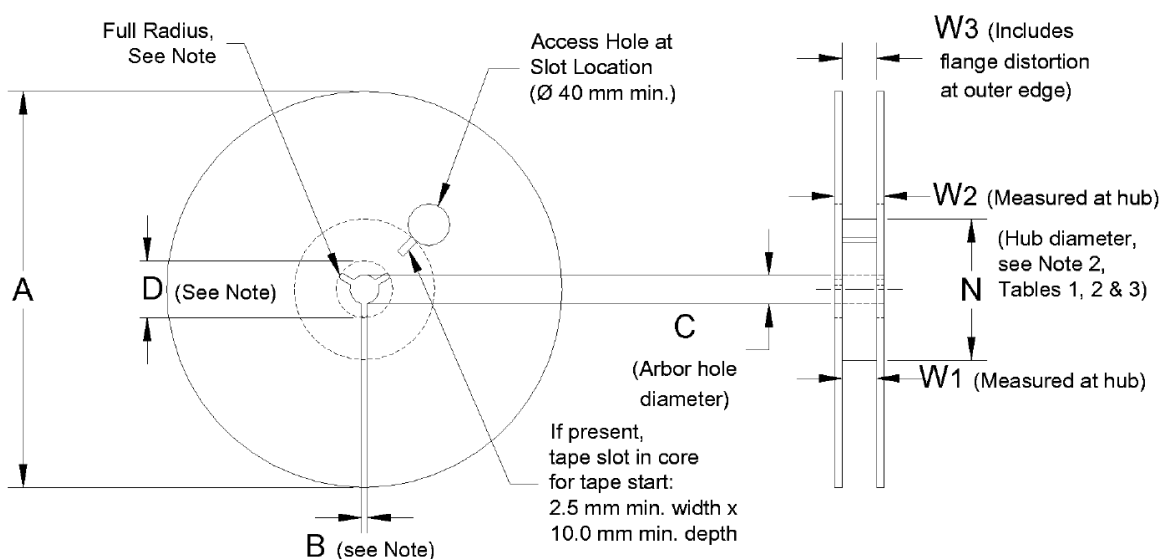


8.2 Tape QFN24 Package



IO-Link Master PHY with integrated Frame Handler

8.3 Reel Information



Note: Drive spokes optional; if used, dimensions B and D shall apply.

Symbol	A	B	C	D	W ₁ QFN48	W ₁ QFN24
Min	-	1.5	12.8	20.2	17.25	13.25
Typ	-	-	13.0	-	-	-
Max	330	-	13.5	-	17.75	13.75

UNIT : mm

9 Ordering Information

Parts can be ordered in QFN24 or QFN48. Please take the corresponding order number from Table 41 and consult your Dialog Semiconductor [local sales representative](#).

Table 41: Ordering Information

Part	Order No.	Package	Delivery	Quantity
CCE4510	CCE4510 24QFN	QFN24 4 x 4 mm	Tape & Reel	4.000 parts per reel
CCE4510	CCE4510 48QFN	QFN48 7 x 7 mm	Tape & Reel	3.000 parts per reel

IO-Link Master PHY with integrated Frame Handler**Revision History**

Revision	Date	Description
1.6	22-Jul-2020	Updated Ordering Information
1.5	02-Jun-2020	Updated Template Added "(SIO)" to 1.1 Features Updated Pin Description Fixed and added information to FIT rate Fixed REV default value (5.7.24) Fixed Overload/Short Protection description (5.4.1.2) Fixed 4.2 IO-Link Channels
1.4	31-Oct-2019	Updated Template
1.3	09-May-2016	Added/Updated Short Detection
1.2	28-July- 2014	Updated NMOS Gate Driver Parameters
1.1	22-July-2014	Updated General Description Updated Absolute Maximum Ratings Corrected PROT Register Description Changed Application Notes
1.0	17-Jun-2014	Initial version.

IO-Link Master PHY with integrated Frame Handler

Status Definitions

Revision	Datasheet Status	Product Status	Definition
1.<n>	Target	Development	This datasheet contains the design specifications for product development. Specifications may be changed in any manner without notice.
2.<n>	Preliminary	Qualification	This datasheet contains the specifications and preliminary characterization data for products in pre-production. Specifications may be changed at any time without notice in order to improve the design.
3.<n>	Final	Production	This datasheet contains the final specifications for products in volume production. The specifications may be changed at any time in order to improve the design, manufacturing and supply. Major specification changes are communicated via Customer Product Notifications. Datasheet changes are communicated via www.dialog-semiconductor.com .
4.<n>	Obsolete	Archived	This datasheet contains the specifications for discontinued products. The information is provided for reference only.

Disclaimer

Unless otherwise agreed in writing, the Dialog Semiconductor products (and any associated software) referred to in this document are not designed, authorized or warranted to be suitable for use in life support, life-critical or safety-critical systems or equipment, nor in applications where failure or malfunction of a Dialog Semiconductor product (or associated software) can reasonably be expected to result in personal injury, death or severe property or environmental damage. Dialog Semiconductor and its suppliers accept no liability for inclusion and/or use of Dialog Semiconductor products (and any associated software) in such equipment or applications and therefore such inclusion and/or use is at the customer's own risk.

Information in this document is believed to be accurate and reliable. However, Dialog Semiconductor does not give any representations or warranties, express or implied, as to the accuracy or completeness of such information. Dialog Semiconductor furthermore takes no responsibility whatsoever for the content in this document if provided by any information source outside of Dialog Semiconductor.

Dialog Semiconductor reserves the right to change without notice the information published in this document, including, without limitation, the specification and the design of the related semiconductor products, software and applications. Notwithstanding the foregoing, for any automotive grade version of the device, Dialog Semiconductor reserves the right to change the information published in this document, including, without limitation, the specification and the design of the related semiconductor products, software and applications, in accordance with its standard automotive change notification process.

Applications, software, and semiconductor products described in this document are for illustrative purposes only. Dialog Semiconductor makes no representation or warranty that such applications, software and semiconductor products will be suitable for the specified use without further testing or modification. Unless otherwise agreed in writing, such testing or modification is the sole responsibility of the customer and Dialog Semiconductor excludes all liability in this respect.

Nothing in this document may be construed as a license for customer to use the Dialog Semiconductor products, software and applications referred to in this document. Such license must be separately sought by customer with Dialog Semiconductor.

All use of Dialog Semiconductor products, software and applications referred to in this document is subject to Dialog Semiconductor's [Standard Terms and Conditions of Sale](http://www.dialog-semiconductor.com), available on the company website (www.dialog-semiconductor.com) unless otherwise stated.

Dialog, Dialog Semiconductor and the Dialog logo are trademarks of Dialog Semiconductor Plc or its subsidiaries. All other product or service names and marks are the property of their respective owners.

© 2020 Dialog Semiconductor. All rights reserved.

RoHS Compliance

Dialog Semiconductor's suppliers certify that its products are in compliance with the requirements of Directive 2011/65/EU of the European Parliament on the restriction of the use of certain hazardous substances in electrical and electronic equipment. RoHS certificates from our suppliers are available on request.

Contacting Dialog Semiconductor

United Kingdom (Headquarters)

Dialog Semiconductor (UK) LTD
Phone: +44 1793 757700

Germany

*Dialog Semiconductor
Creative Chips GmbH*
Phone: +49 6721 987 22-0

The Netherlands

Dialog Semiconductor B.V.
Phone: +31 73 640 8822

Email:

enquiry@diasemi.com

North America

Dialog Semiconductor Inc.
Phone: +1 408 845 8500

Japan

Dialog Semiconductor K. K.
Phone: +81 3 5769 5100

Taiwan

Dialog Semiconductor Taiwan
Phone: +886 281 786 222

Web site:

www.dialog-semiconductor.com

Hong Kong

Dialog Semiconductor Hong Kong
Phone: +852 2607 4271

Korea

Dialog Semiconductor Korea
Phone: +82 2 3469 8200

China (Shenzhen)

Dialog Semiconductor China
Phone: +86 755 2981 3669

China (Shanghai)

Dialog Semiconductor China
Phone: +86 21 5424 9058

X-ON Electronics

Largest Supplier of Electrical and Electronic Components

Click to view similar products for [Interface - Specialised category](#):

Click to view products by [Dialog Semiconductor manufacturer](#):

Other Similar products are found below :

[CY7C910-51LMB](#) [MC33689DPEWR2](#) [MC33975ATEKR2](#) [MEC1632-AUE](#) [NVT4555UKZ](#) [RKSAS4](#) [HMC677G32](#) [LPC47N207-JV](#) [FTP-637DSL633R](#) [SM712GX04LF04-BA](#) [MC33689DPEW](#) [PCA9704PWJ](#) [NCN5192MNRG](#) [MCW1001A-I/SS](#) [HOA6241-001](#)
[SC74HC4066ADTR2G](#) [AS3935-BQFT](#) [NCN5120MNTWG](#) [NCN5150DR2G](#) [NCN8025MTTBG](#) [C100N50Z4A](#) [DG407AK/883B](#) [SRT2-ATT01](#) [TDA8035HN/C1/S1J](#) [TLE9221SXXUMA2](#) [DS90UB947TRGCRQ1](#) [SP510ECF-L](#) [NCS2300MUTAG](#) [HMC677LP5E](#)
[HMC677LP5ETR](#) [LTC1756EGN#PBF](#) [LTC1955EUH#PBF](#) [MXL1543BCAI](#) [MAX3170CAI+](#) [XL1192D](#) [ST8024CTR](#) [TLE9221SX](#)
[KTU1109EFAA-TR](#) [CH368L](#) [CH7307C-DEF](#) [LTC1694CS5#TRPBF](#) [LTC1694IS5#TRM](#) [LTS 25-NP](#) [73S8024RN-20IMF](#) [73S8024RN-IL/F](#)
[78P2352-IGT/F](#) [DS2406+](#) [DS2413P+](#) [DS2413P+T&R](#) [DS28E17Q+](#)